

PARTS MANUAL

Models

**RGV4100/4101
Generators**

PUB-GP1200A
Rev. 12/99

GROUP INDEX

Group Name	Page
GENERATOR GROUP	4
FRAME for RECOIL STARTER TYPE-RGV4100	8
FRAME for ELECTRIC STARTER TYPRGV4100	10
FRAME for RECOIL STARTER TYPE-RGV4101	12
FRAME for ELECTRIC STARTER TYPE-RGV4101	14
CONTROL BOX	16
CONTROL PANEL for 60Hz-120V	20
FUEL TANK	22
MUFFLER	24
CRANKCASE	26
CRANKSHAFT and PISTON	28
INTAKE and EXHAUST	30
GOVERNOR OPERATION	32
COOLING and STARTING	34
CARBURETOR	36
MAGNETO for RECOIL STARTER TYPE	38
MAGNETO for ELECTRIC STARTER TYPE	40
STARTING MOTOR	42
SOLENOID	44
OIL SENSOR	46

Robin America, Inc.

940 Lively Blvd. • Wood Dale, IL 60191 • Phone: 630-350-8200 • Fax: 630-350-8212
e-mail: sales@robinamerica.com • www.robinamerica.com

© Copyright 1999 Robin America, Inc.

FIG. 1A GENERATOR GROUP - RGV4100

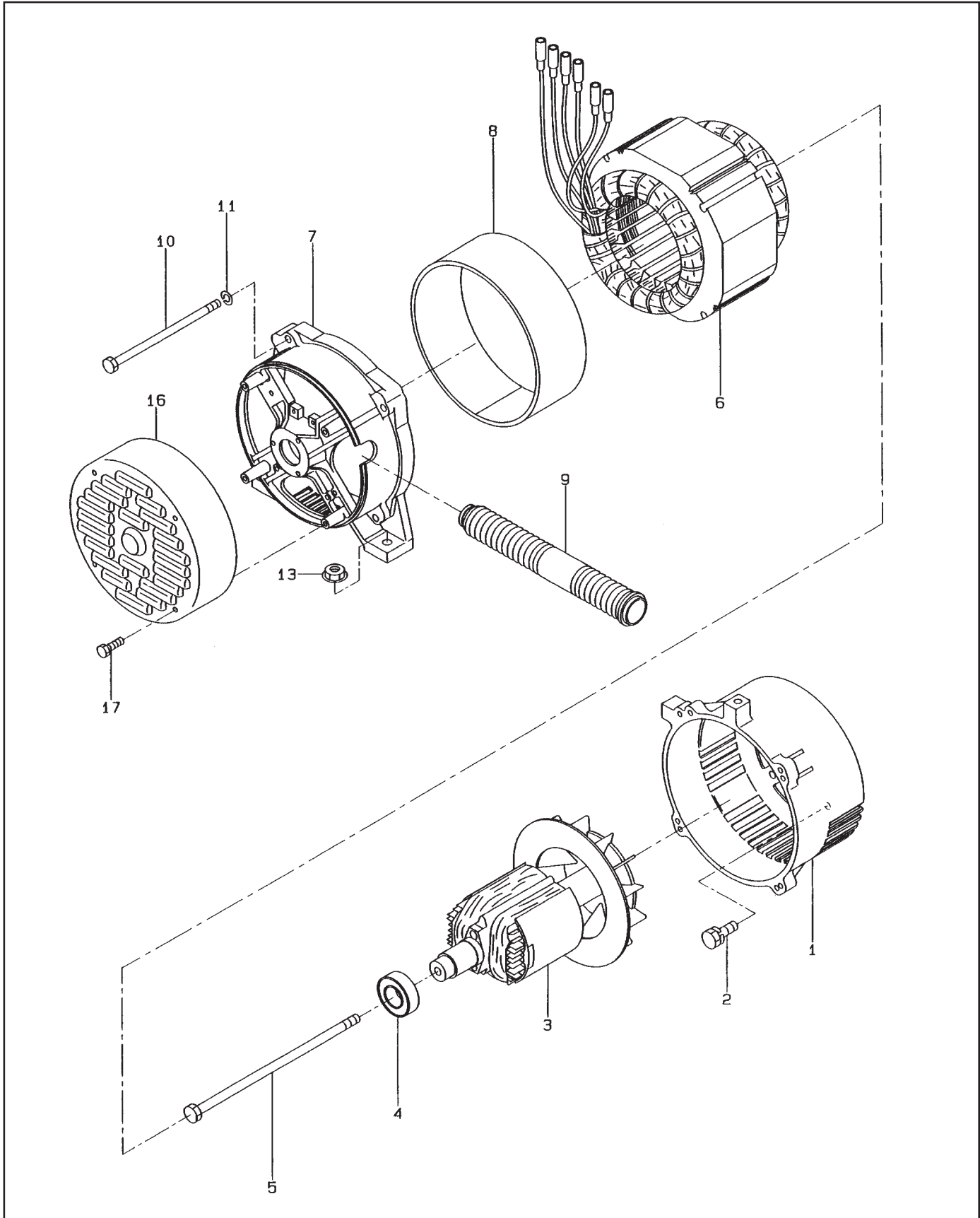


FIG. 1B

GENERATOR GROUP - RGV4101

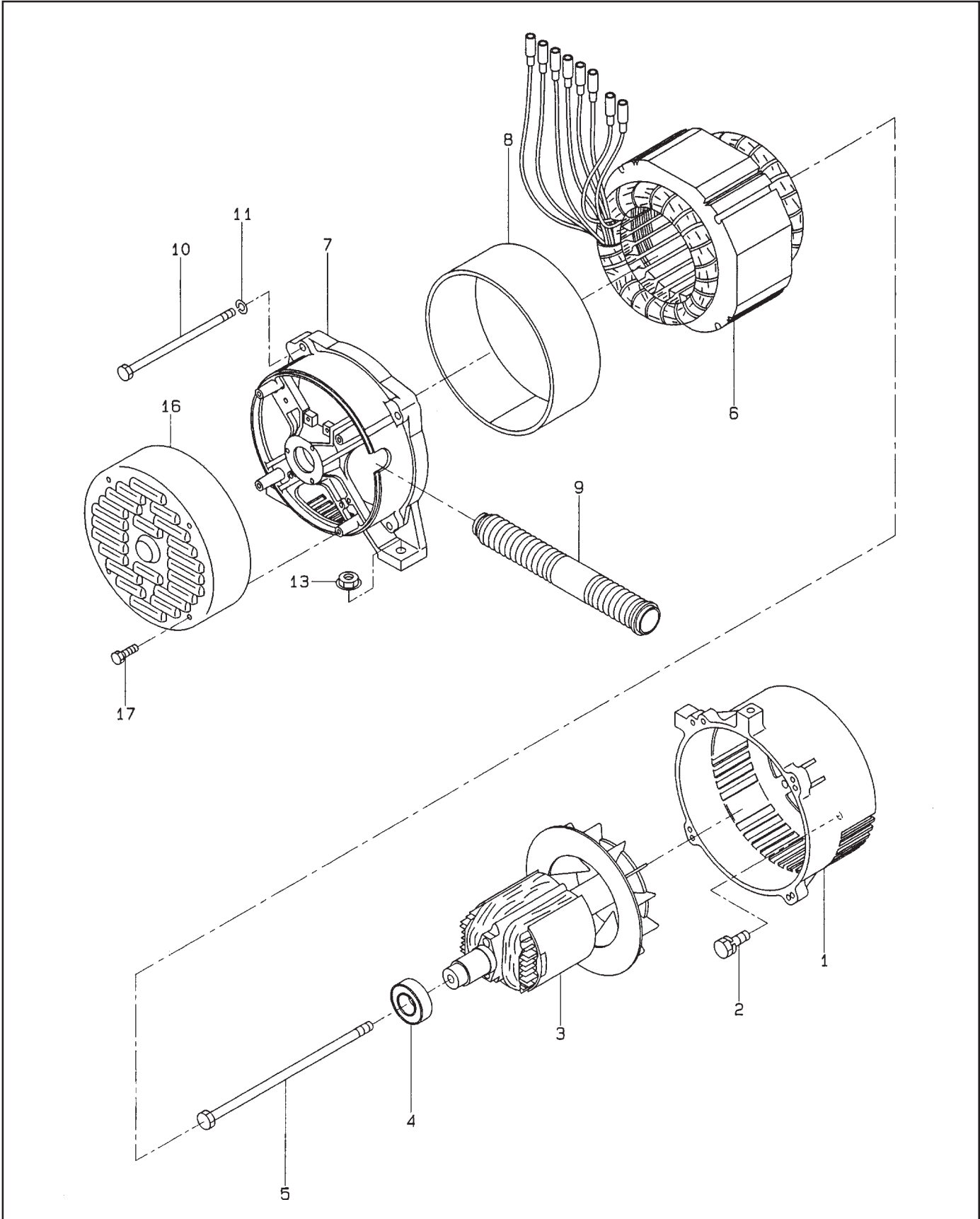


FIG. 2A FRAME for RECOIL STARTER TYPE - RGV4100

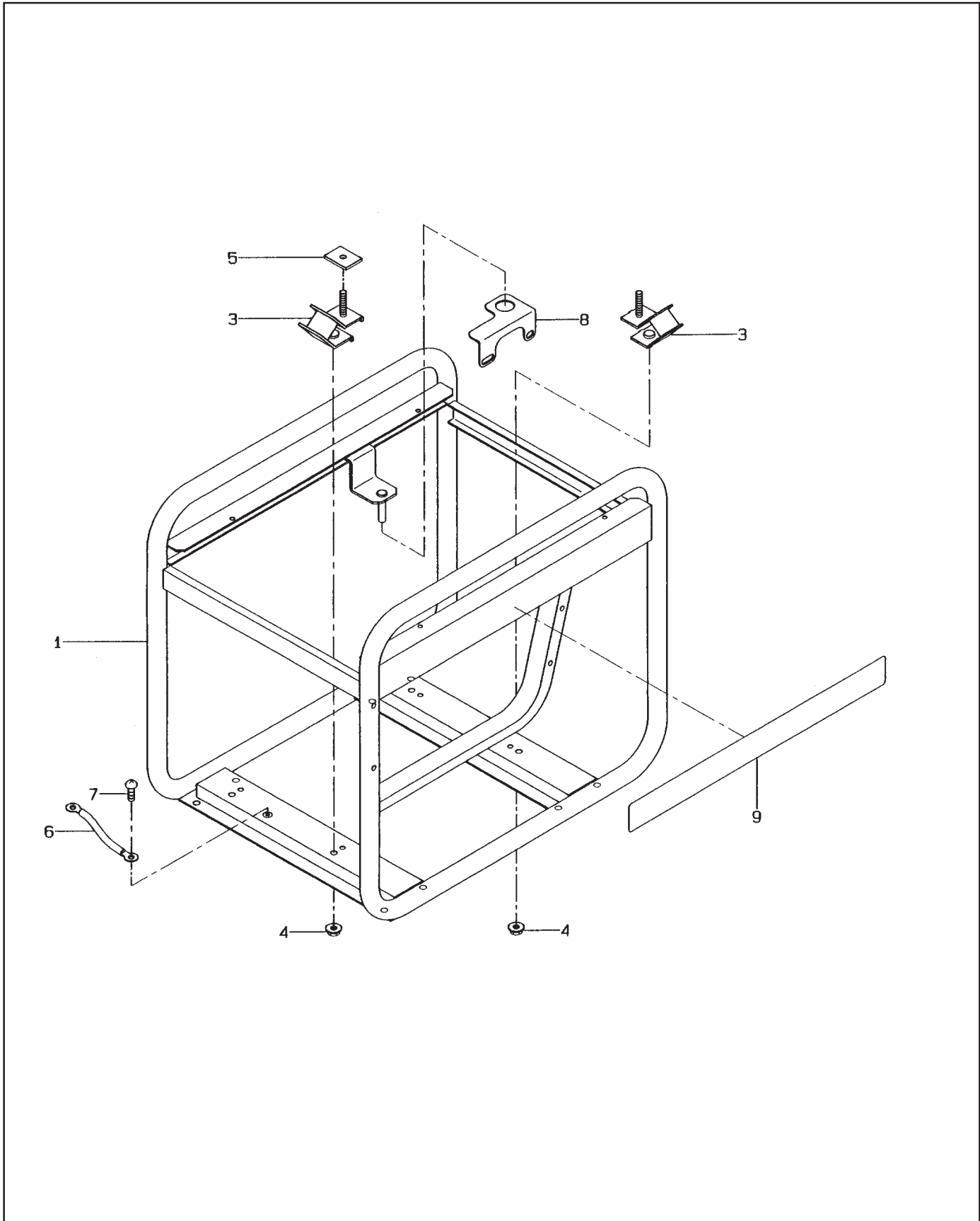


FIG. 2B FRAME for ELECTRIC STARTER TYPE - RGV4100

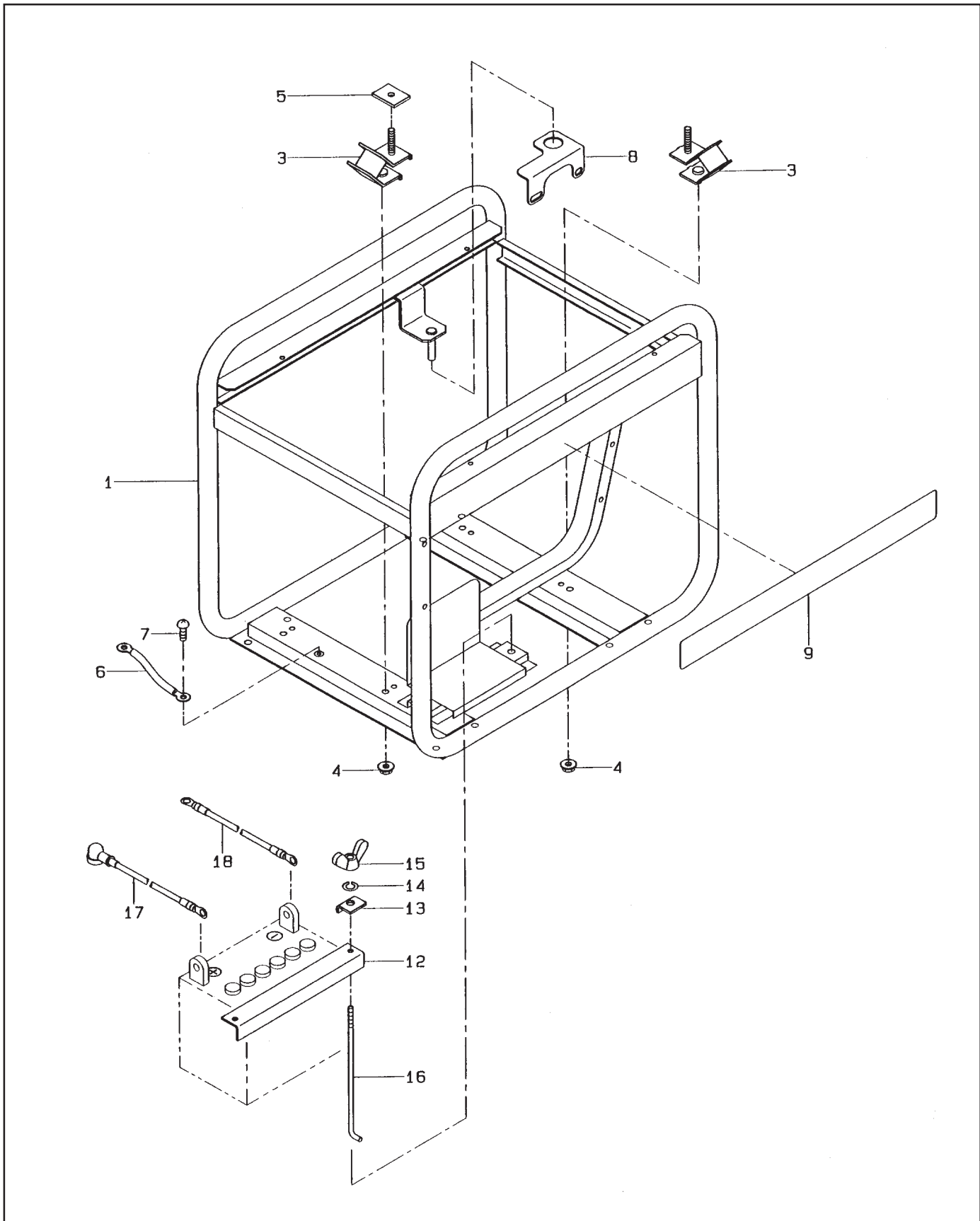


FIG. 3A FRAME for RECOIL STARTER TYPE - RGV4101

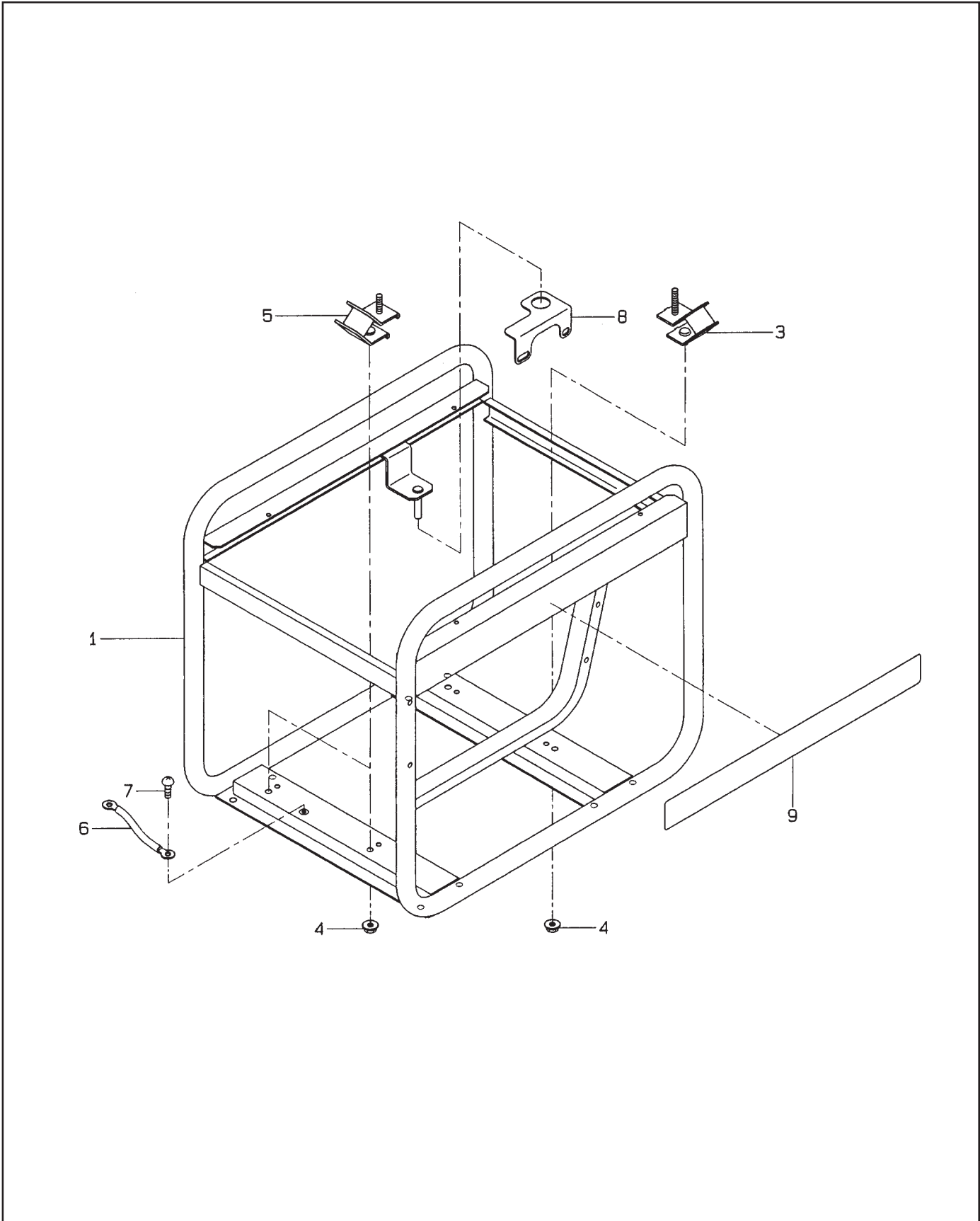


FIG. 3B FRAME for ELECTRIC STARTER TYPE - RGV4101

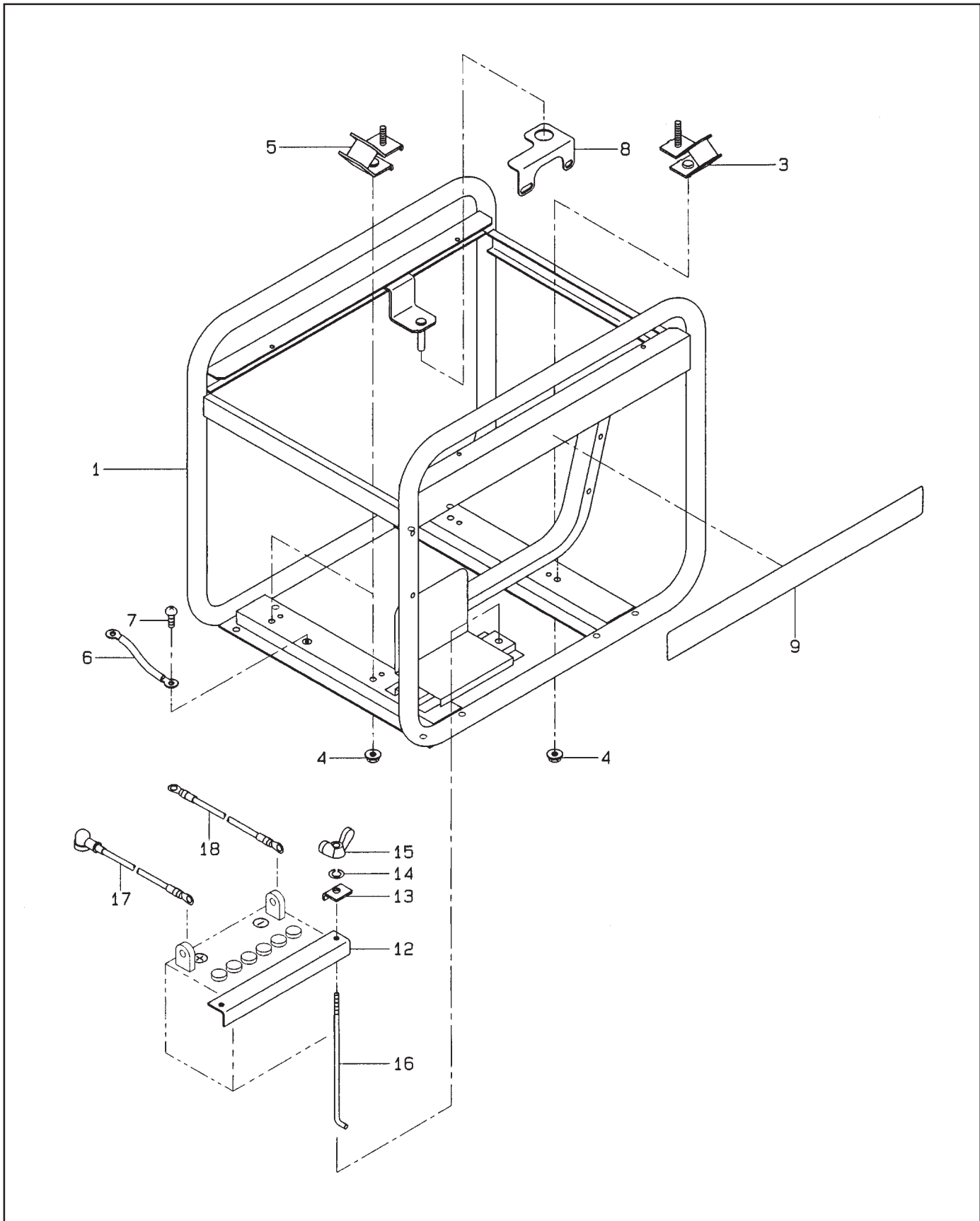


FIG. 4A CONTROL BOX - RGV4100

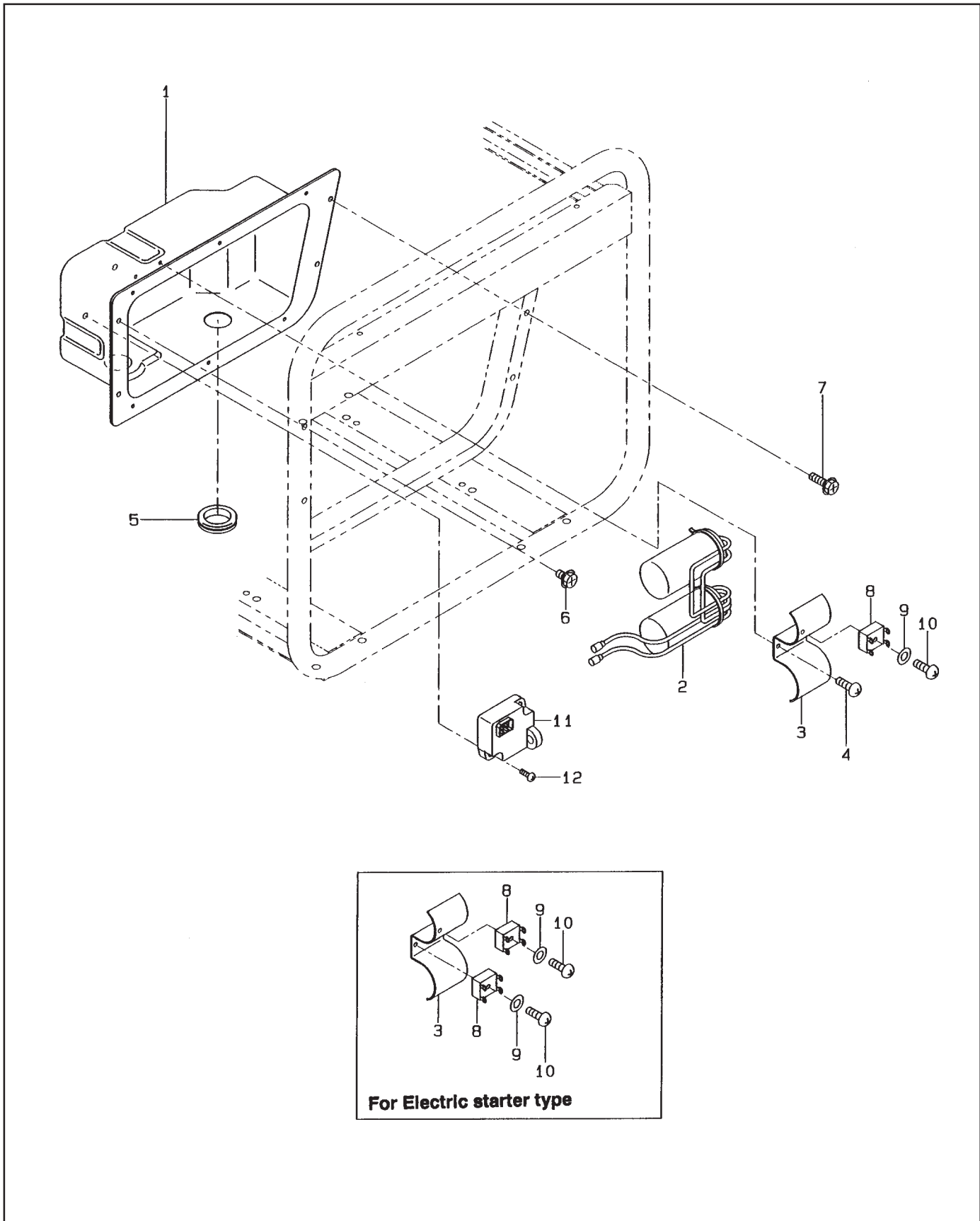


FIG. 4B CONTROL BOX - RGV4101

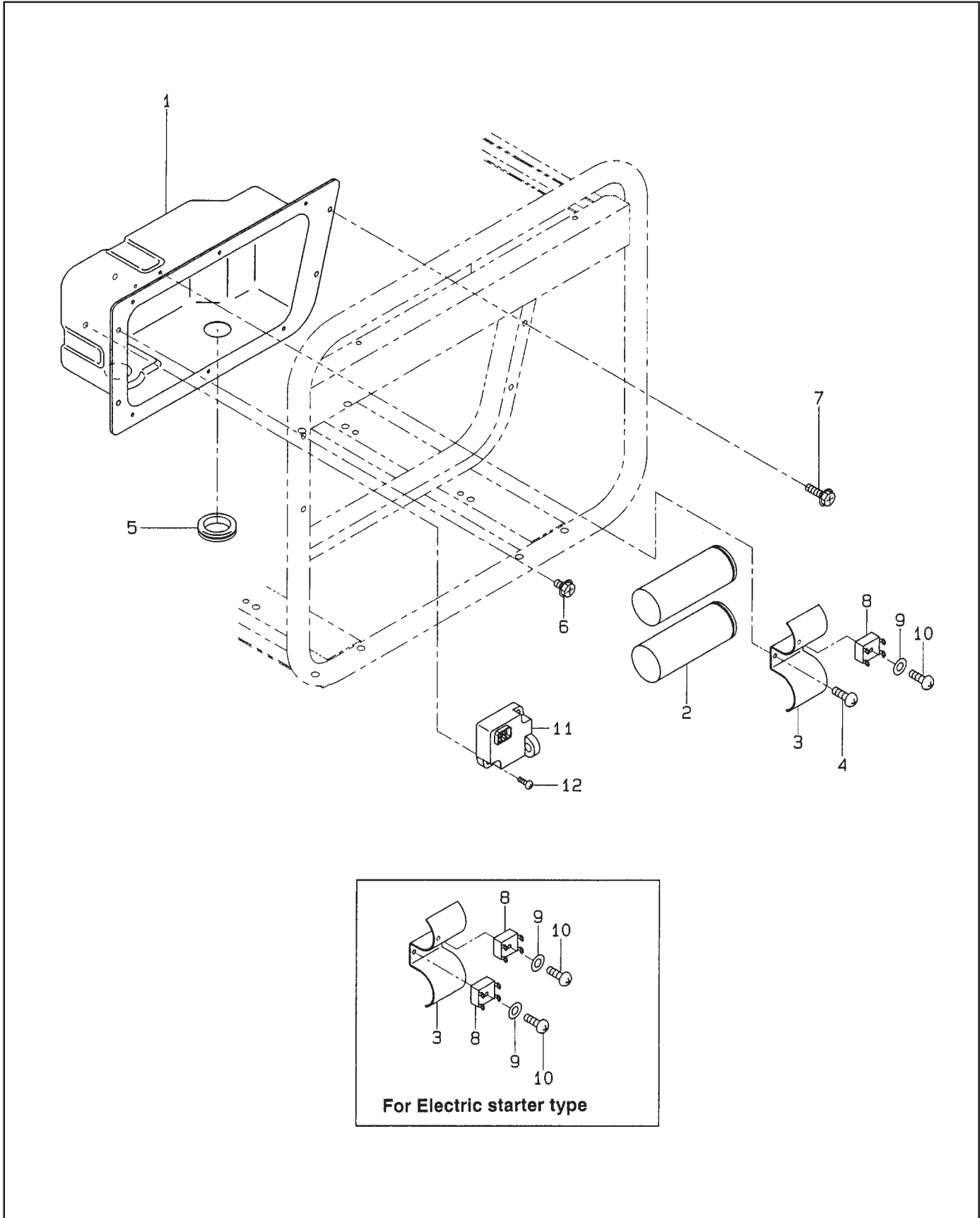


FIG. 5 CONTROL PANEL for 60Hz-120V - RGV4100/4101

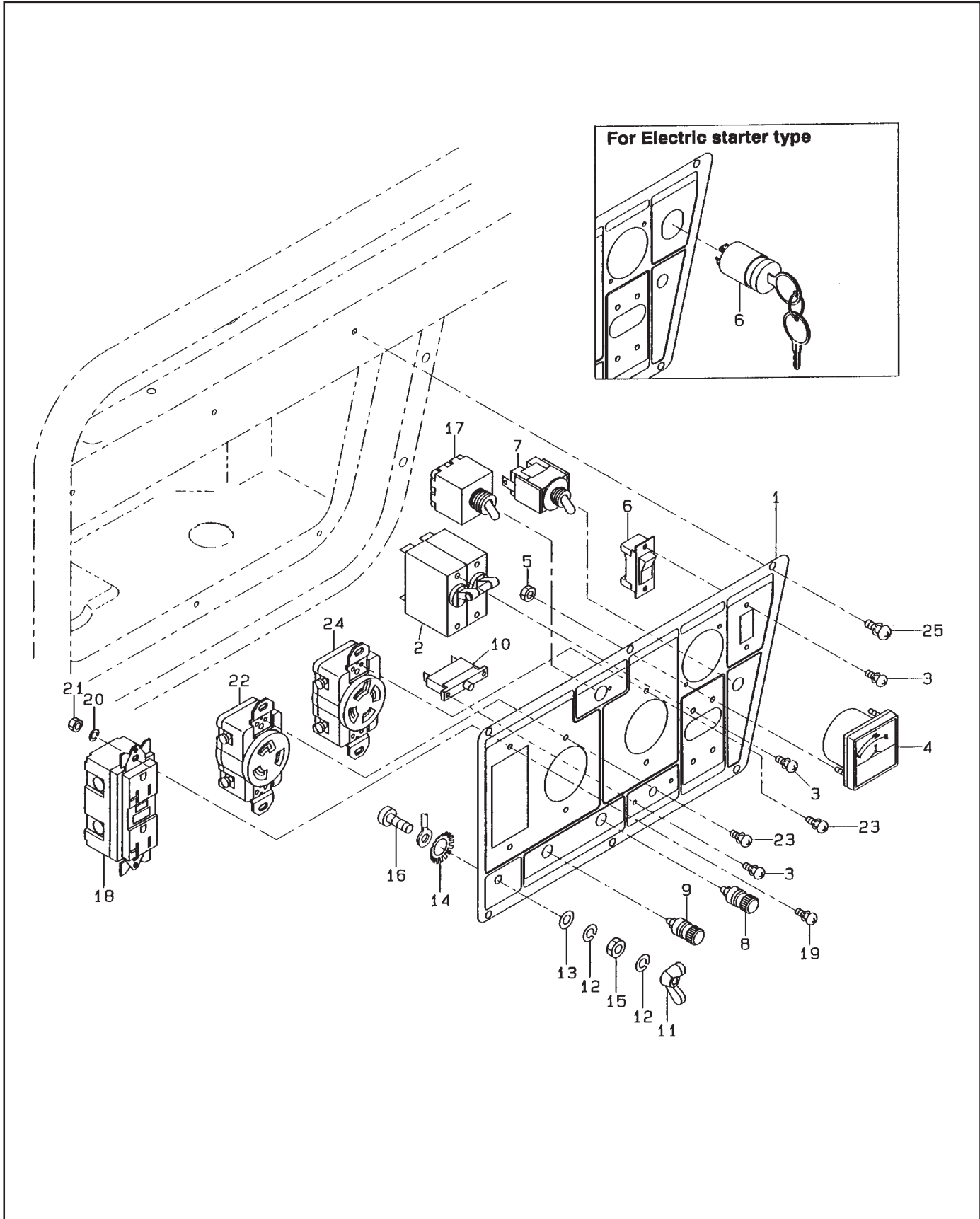


FIG. 5 CONTROL PANEL for 60Hz-120V - RGV4100/4101

REF	PART NUMBER	DESCRIPTION	QTY	REMARKS
*1	31C-72069-00	CONTROL PANEL AY, 60Hz-120V, recoil start	1	Includes items 1 thru 24
*1	31C-72070-00	CONTROL PANEL AY, 60Hz-120V, elect. Start	1	Includes items 1 thru 24
1	31C-72036-01	PANEL A, compl.	1	For Recoil starter type
1	31C-72037-01	PANEL A, compl.	1	For Electric starter type
2	31C-73005-03	NO FUSE BREAKER	1	2P15A
3	31B-79011-03	SCREW and WASHER ASS'Y	6-8	M3 x 5mm
4	391-47900-11	AC VOLTMETER	1	
5	388-49801-08	NUT	2	M3
6	31B-77505-01	ENGINE SWITCH	1	For Recoil starter type
6	066-00003-30	KEY SWITCH	1	For Electric starter type
7	344-45615-08	TOGGLE SWITCH	1	
8	363-45701-08	TERMINAL BOLT	1	COLOR: RED
9	363-45700-08	TERMINAL BOLT	1	COLOR: BLACK
10	352-45620-08	CIRCUIT PROTECTOR	1	10A
11	353-49901-08	WING NUT	1	M5
12	332-00050-08	SPRING WASHER	2	
13	353-49903-08	WASHER	1	
14	372-59950-08	LOCK WASHER	1	
15	353-49902-08	NUT	1	
16	356-49907-08	SCREW	1	M5 x 15mm
17	355-45613-11	TOGGLE SWITCH	1	
18	31B-77506-01	AC RECEPTACLE	1	GFCI
19	004-35041-00	SCREW and WASHER ASS'Y	2	M4 x 10mm
20	003-10040-00	WASHER	2	M4
21	002-17040-00	NUT	2	M4
22	380-45749-08	RECEPTACLE	1	125V-30A
23	356-59937-08	SCREW	4	
24	353-45724-08	RECEPTACLE	1	
25	351-49919-08	TAPPING SCREW	6	M4 x 10mm

FIG. 6 FUEL TANK - RGV4100/4101

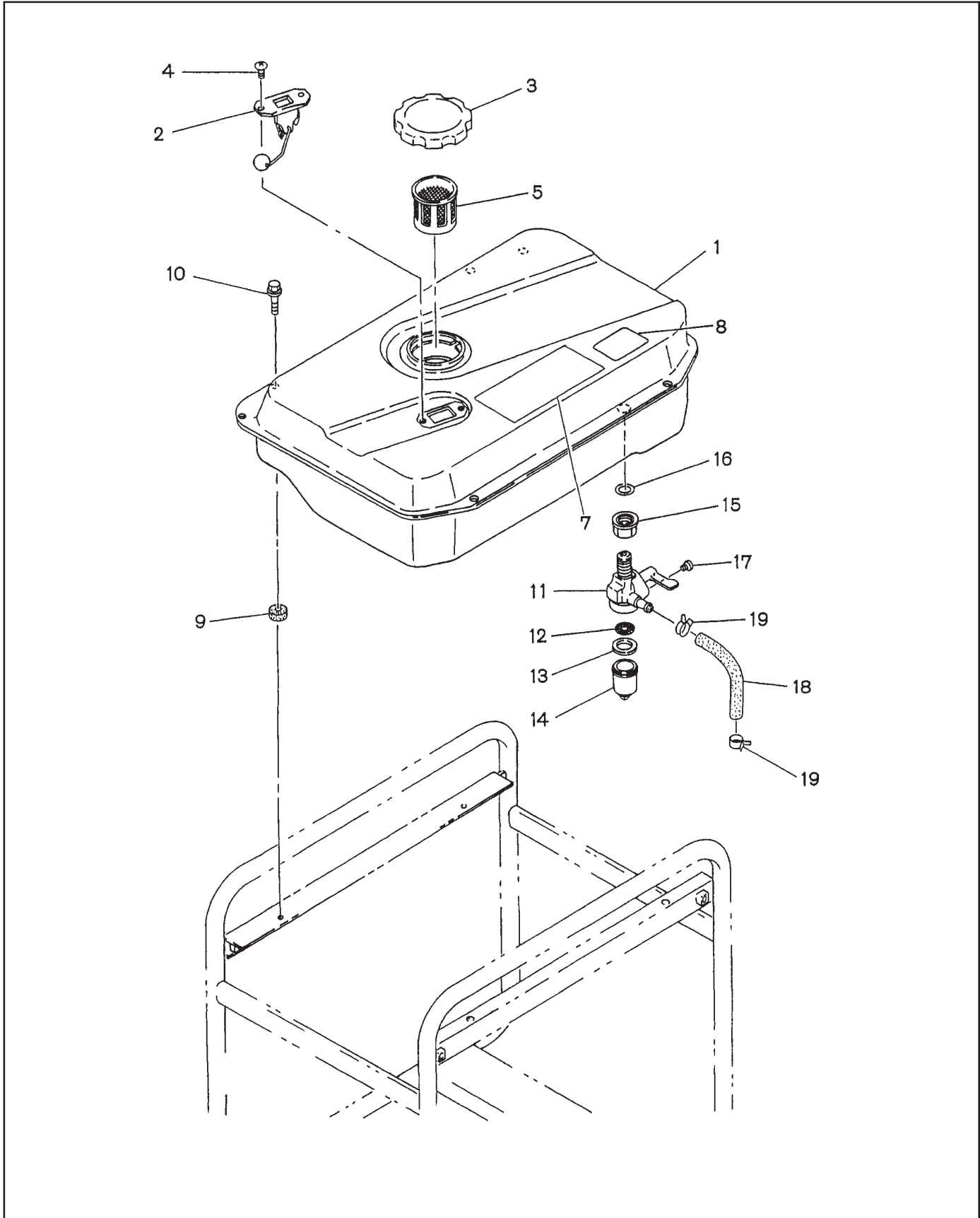


FIG. 7 MUFFLER - RGV4100/4101

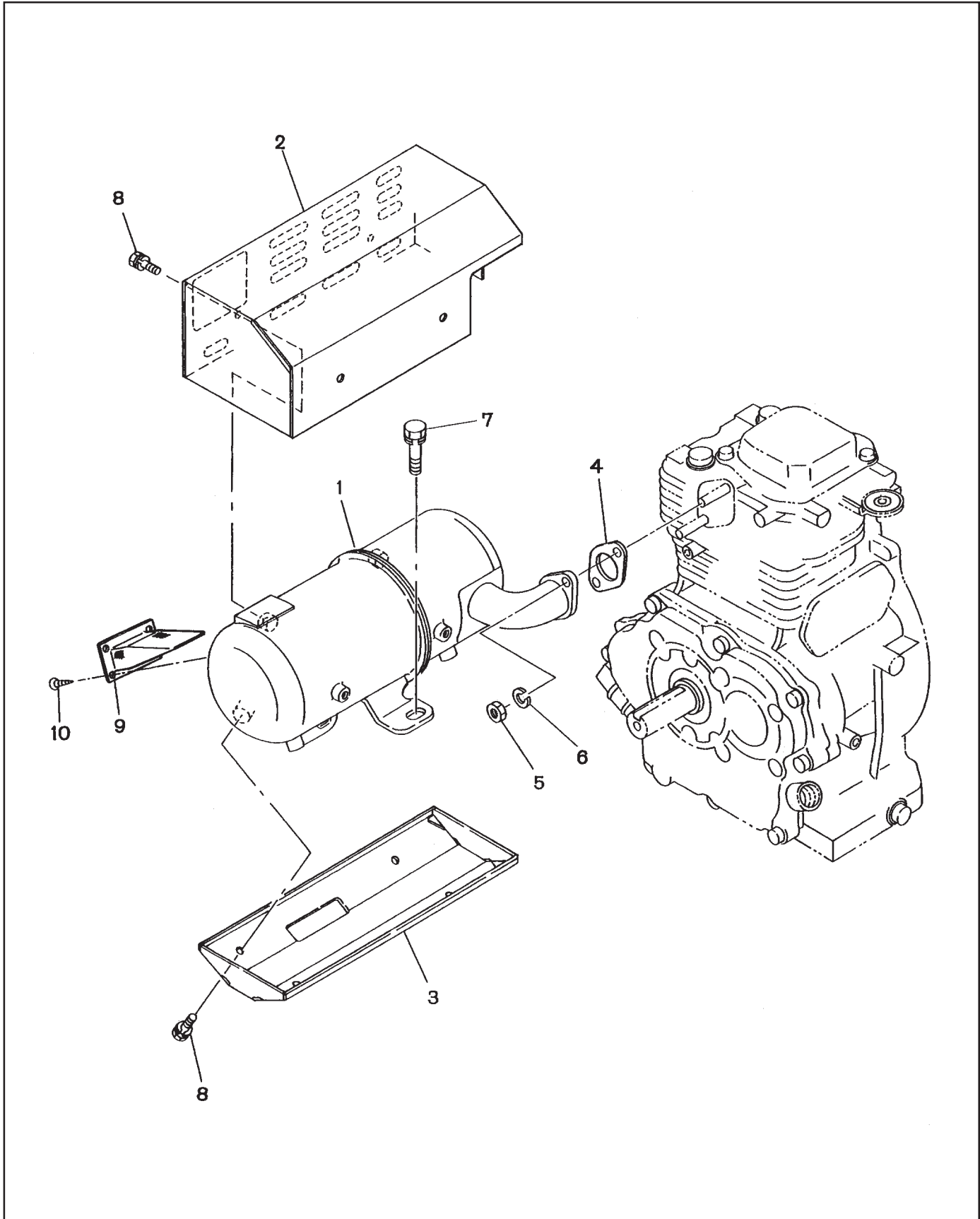


FIG. 8 CRANKCASE - RGV4100/4101

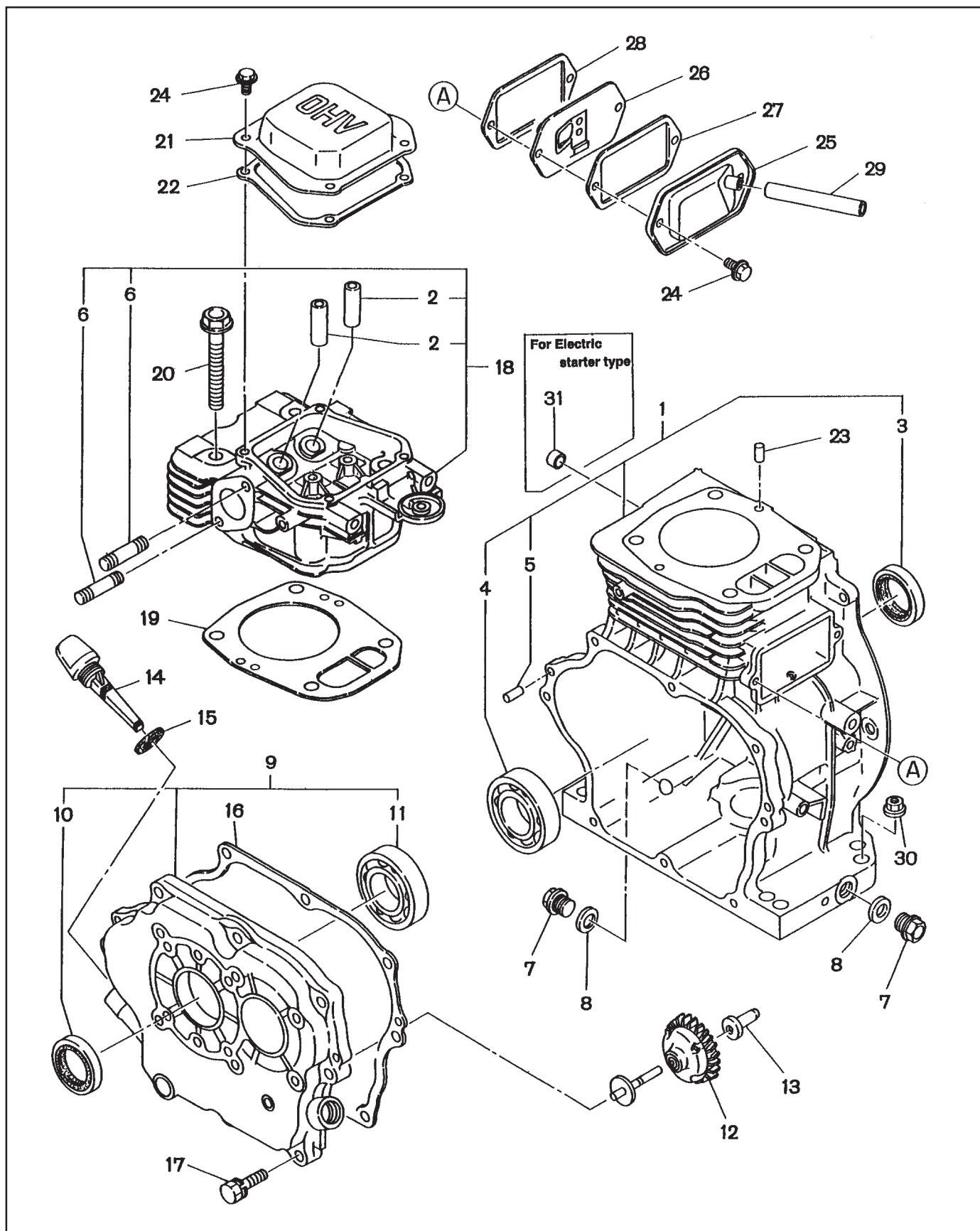


FIG. 9 CRANKSHAFT and PISTON - RGV4100/4101

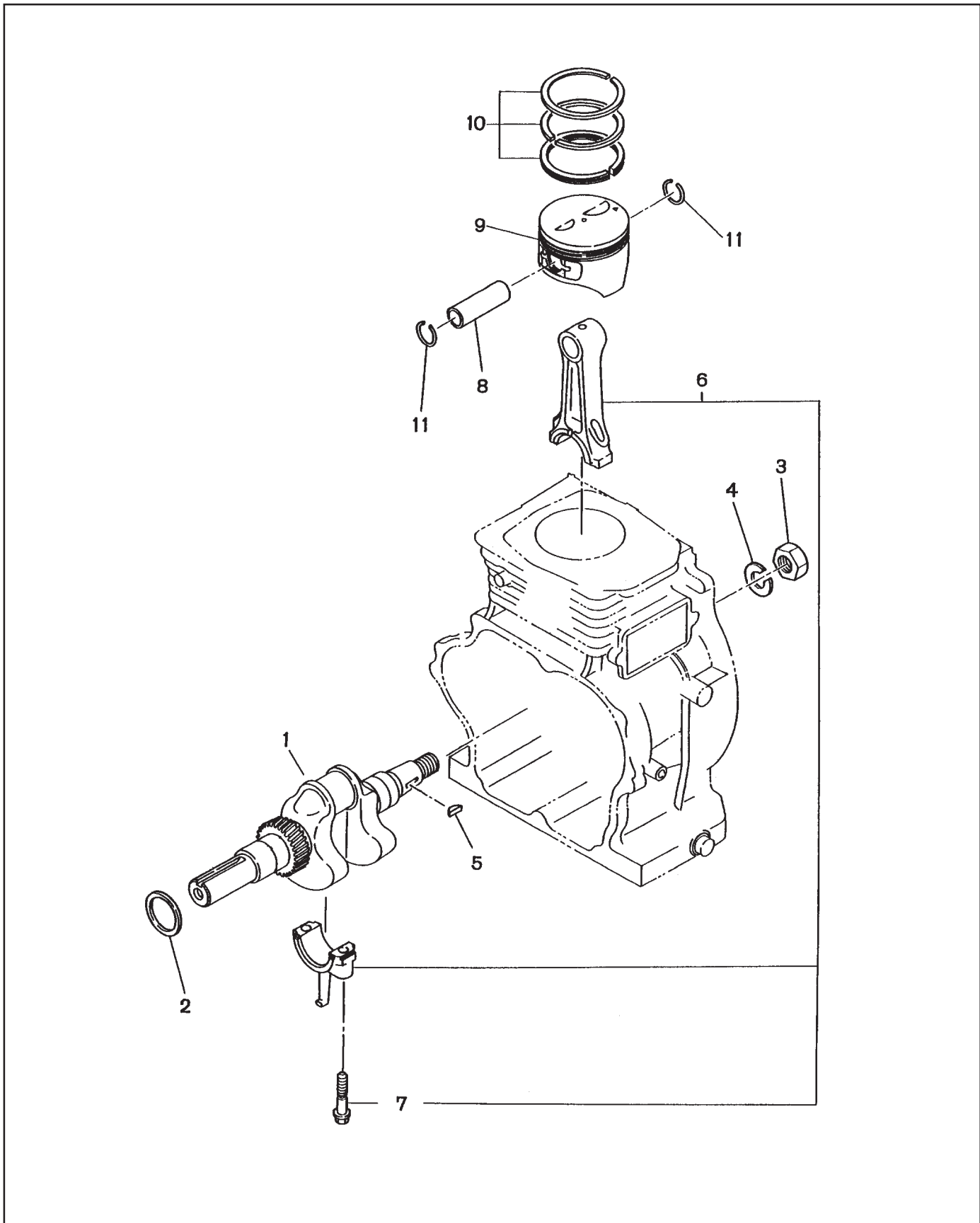


FIG. 10 INTAKE and EXHAUST - RGV4100/4101

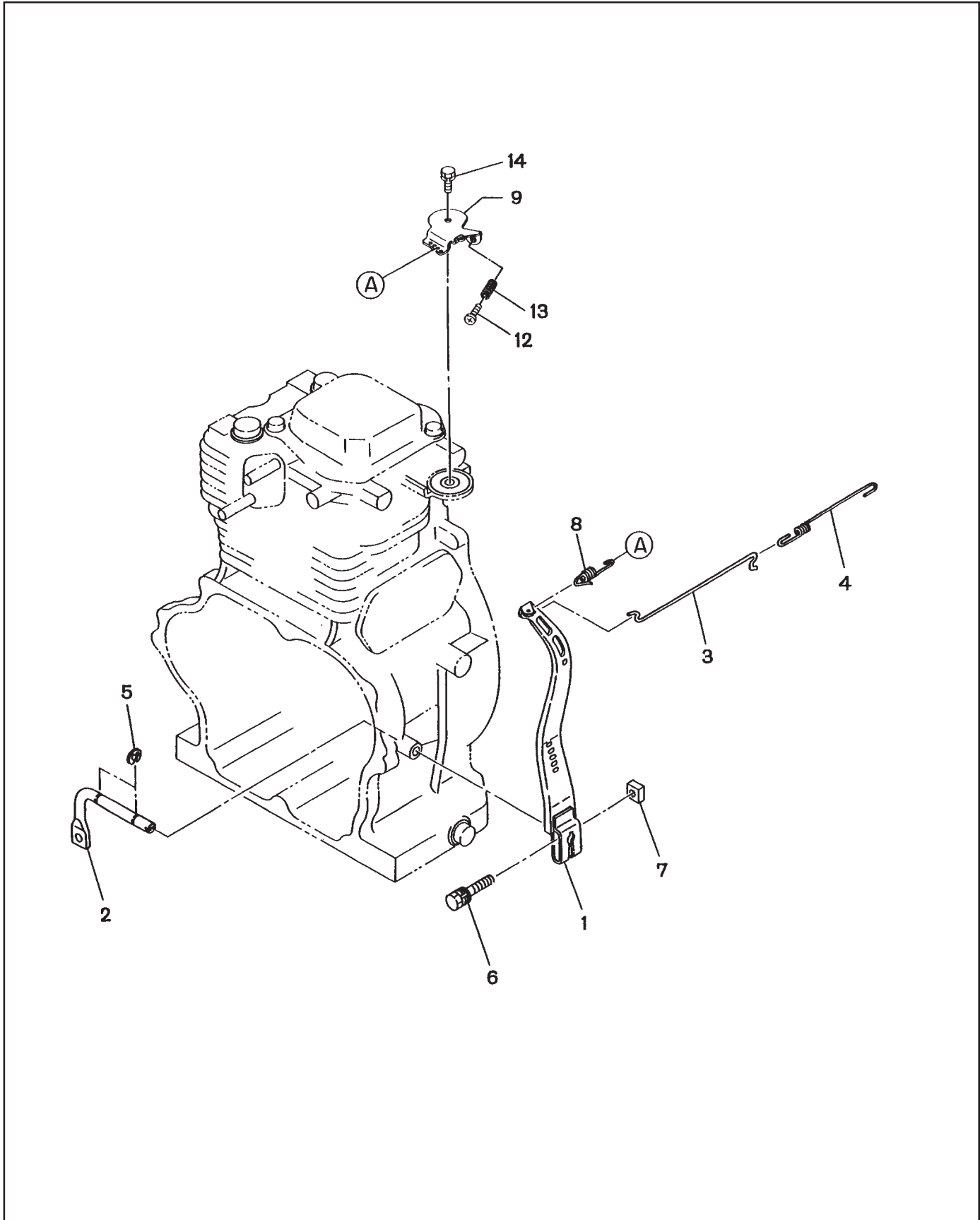


FIG. 11 GOVERNOR, OPERATION - RGV4100/4101

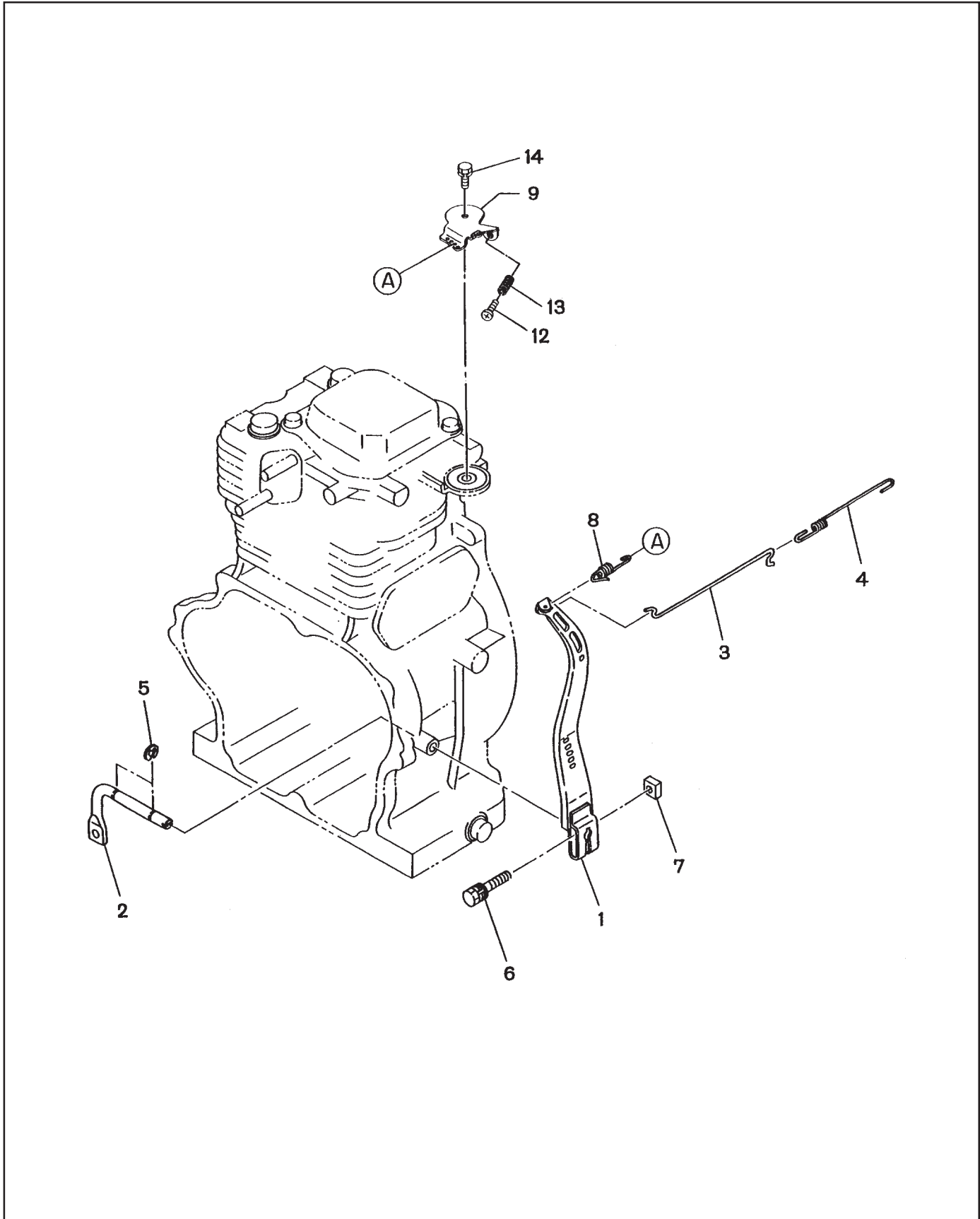


FIG. 12 COOLING and STARTING - RGV4100/4101

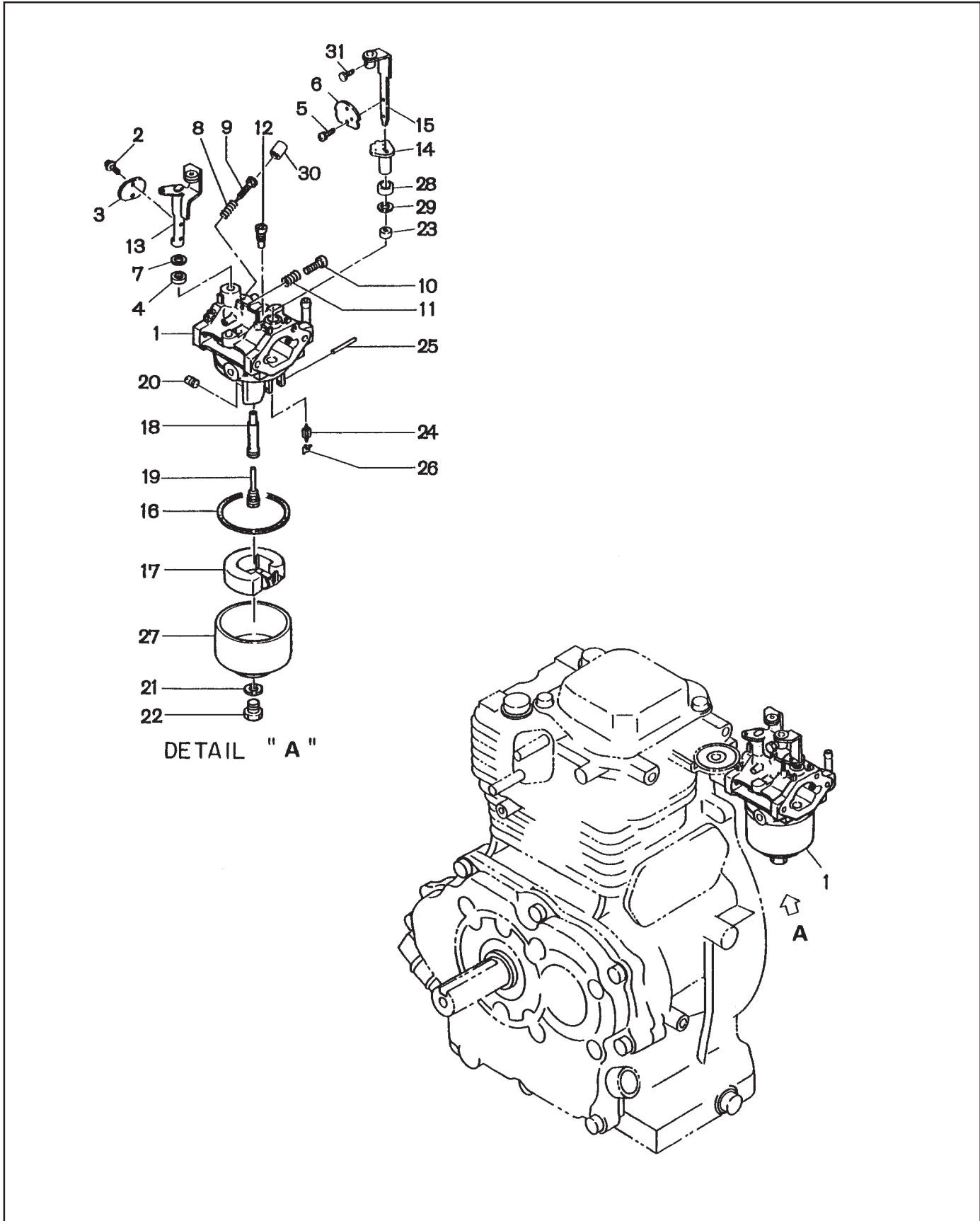
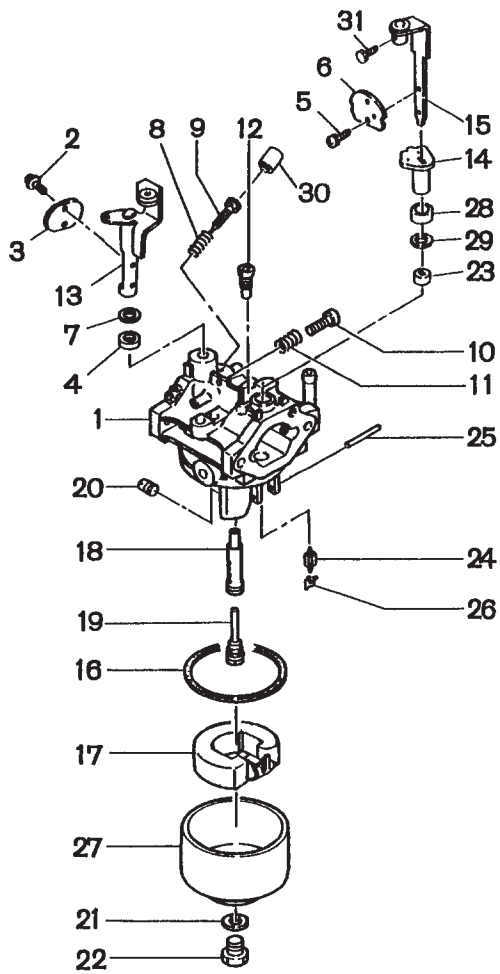


FIG. 13 CARBURETOR - RGV4100/4101



DETAIL " A "

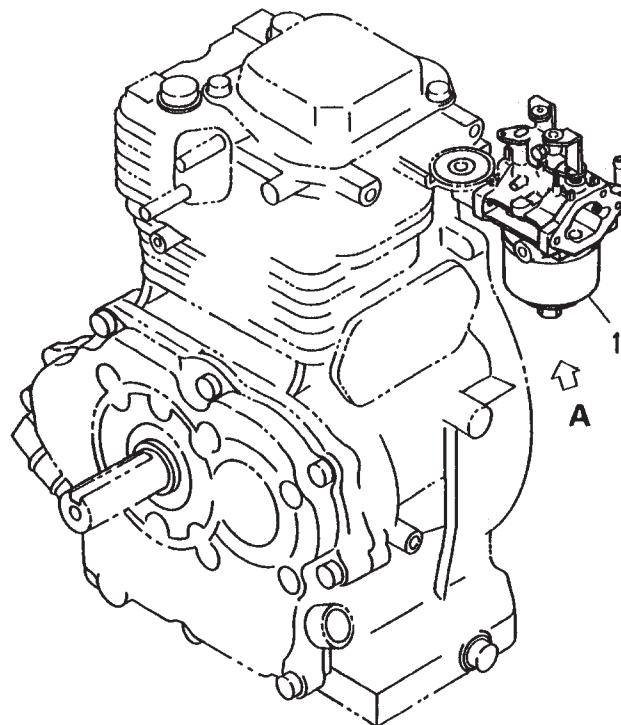


FIG. 14B MAGNETO for ELECTRIC STARTER TYPE - RGV4100/4101

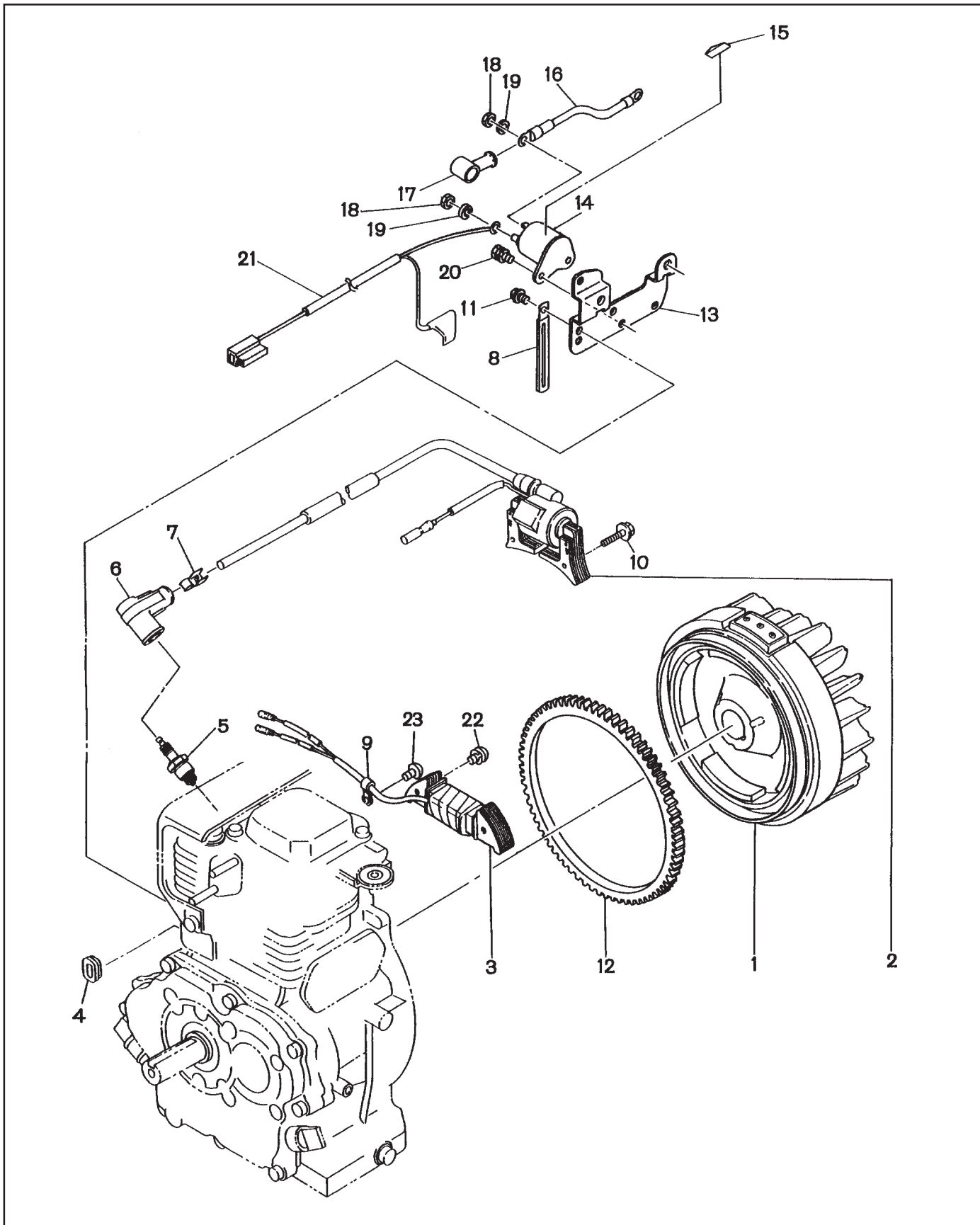


FIG.15 STARTING MOTOR - RGV4100/4101

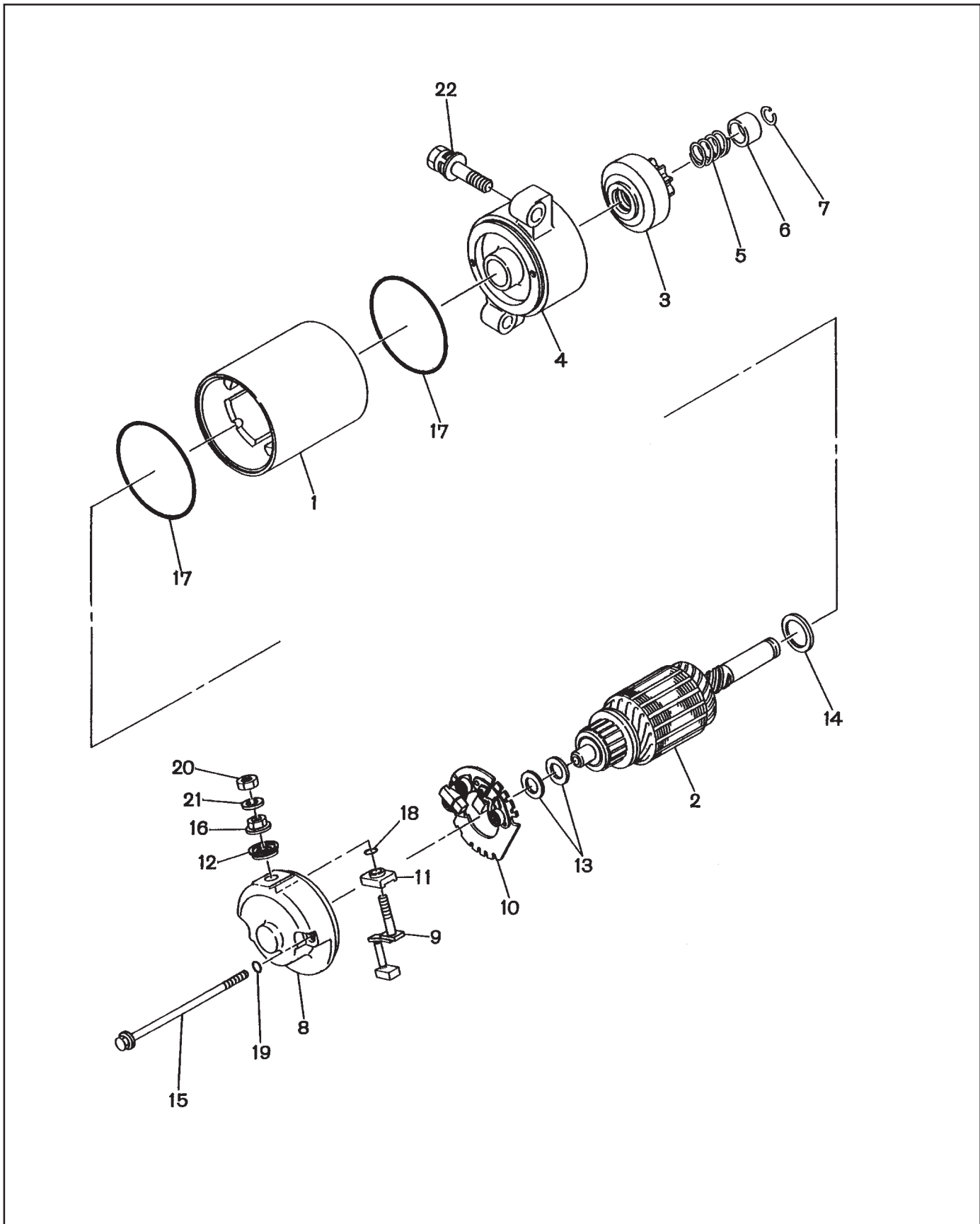


FIG. 16 SOLENOID - RGV4100/4101

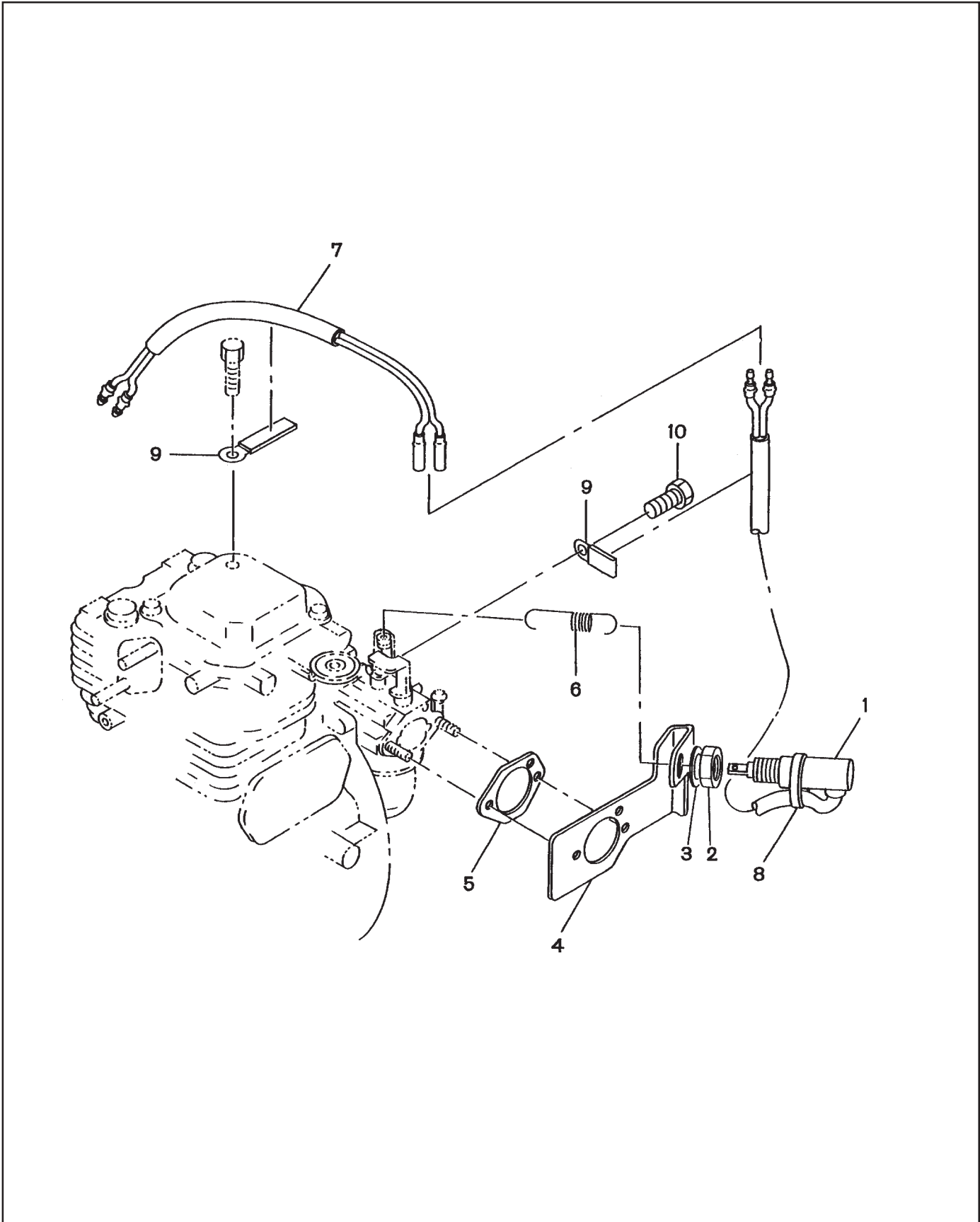
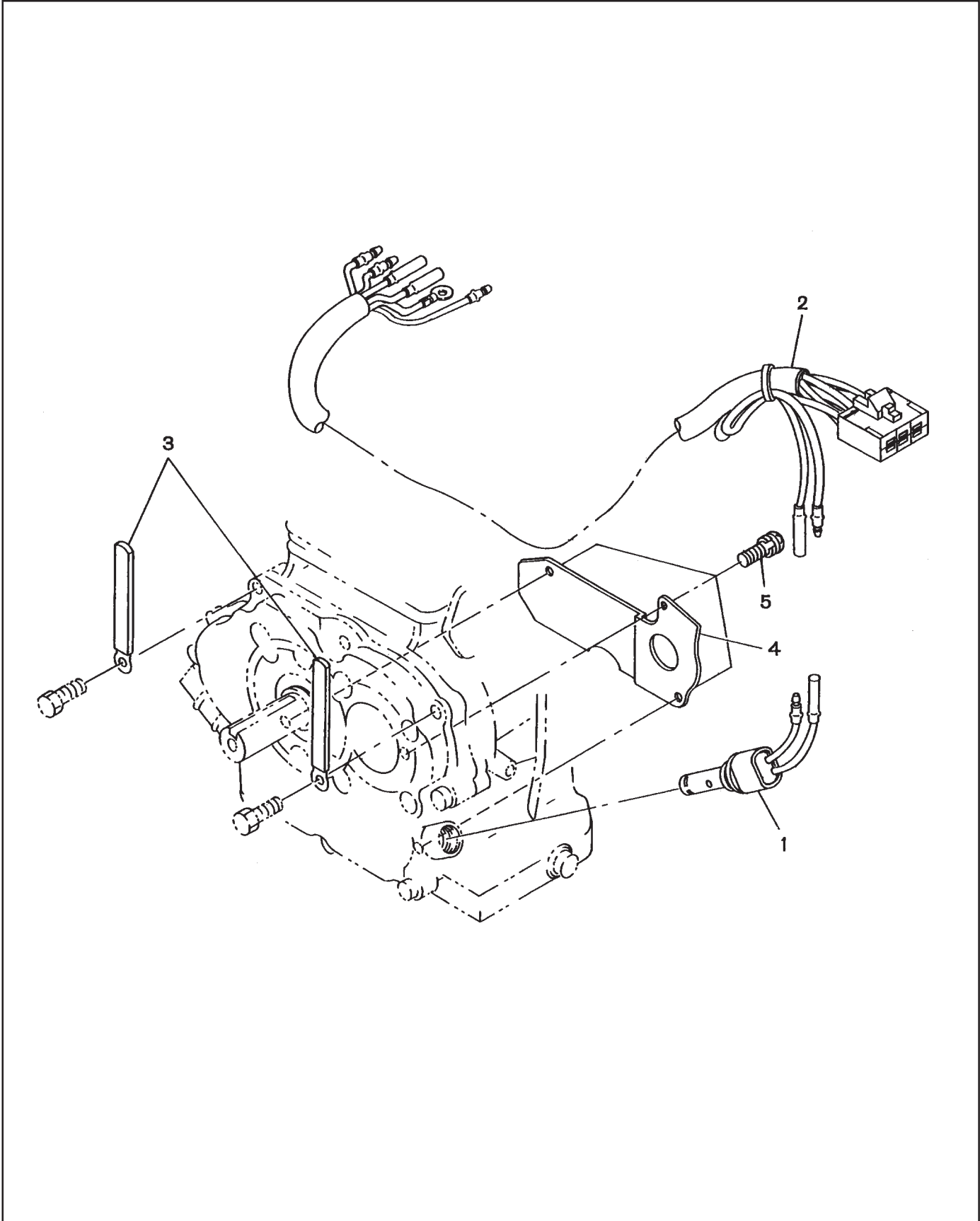


FIG. 17 OIL SENSOR - RGV4100/4101



PRINTED IN THE USA