

PARTS MANUAL

Model

**RGX2400
Generator**

PUB-GP0613
Rev. 8/98

HOW TO USE THIS PARTS CATALOG

1. Reference numbers with an asterisk


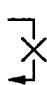

Reference numbers marked with an asterisk indicate that the particular part is available only as a complete set or assembly.

Example :

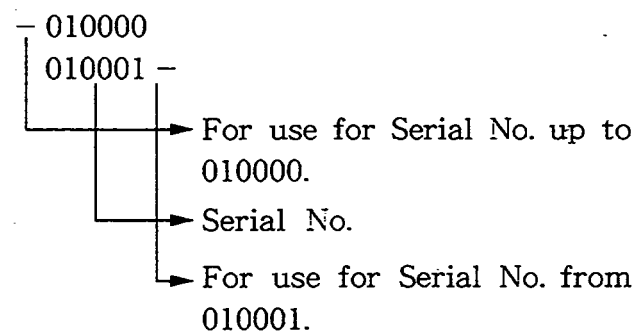
If the reference number is marked with an asterisk and the description of the part states that certain items are included, this means that those included items cannot be ordered separately and must be purchased as a complete assembly.

2. Description of interchangeability and execution columns

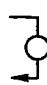
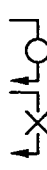

Example : Interchangeability column

-  Items interchangeable between the new and old parts.
-  Items not interchangeable between the new and old parts.
-  Items conditionally interchangeable between the new and old parts which are subject to the description in the execution column.

Example : Execution column



Example : Interchangeable

Part Number	↓	Execution	Explanation
Part B Part A		020000 -	This indicates that Part A changed to Part B for generators with serial numbers from 20000, and that they are interchangeable.
Part C Part B Part A		020000 - 015000 -	This indicates that Part A changed to Part B for generators with serial numbers from 15000, and that they are not interchangeable. Also, Part B changed to Part C for generators with serial numbers from 20000 and that they are interchangeable.
Part A		020000 -	This indicates that Part A is a new part for generators with serial numbers with from 20000.
Part B		- 030000	This indicates that Part B is no longer used for generator with serial numbers from 30001.
Part B Part A		020000 -	This indicates that Part A changed to Part B for generators with serial numbers from 20000, and that they are conditionally interchangeable. (See NOTE described at the end of the section.)

3. The contents of this parts catalog are subject to revision without notice.
TO INSURE PROMPT AND ACCURATE SERVICE, ALSO THE FOLLOWING INFORMATION MUST BE GIVEN.

1. State exactly the quantity of each part and its part numbers.
2. Clearly state whether parts are to be shipped by express, freight or parcel post.
3. State the exact mailing address.

CONTENTS

	Page
GENERATOR PARTS	
FIG. 1 GENERATOR	1
FIG. 2 PIPE FRAME and FUEL TANK	3
FIG. 3-6 CONTROL BOX (U.S.A., 60Hz-120V, NEMA)	25
ENGINE PARTS	
FIG. 4 CRANKCASE and CYLINDER HEAD	41
FIG. 5 CRANKSHAFT, CAMSHAFT and PISTON	43
FIG. 6 GOVERNOR	45
FIG. 7 BLOWER HOUSING and MUFFLER	47
FIG. 8 AIR CLEANER, CARBURETOR and IDLE CONTROL	49
FIG. 9 MAGNETO	53
FIG. 10 RECOIL STARTER	55
FIG. 11 OIL SENSOR	57

FIG. 1 GENERATOR

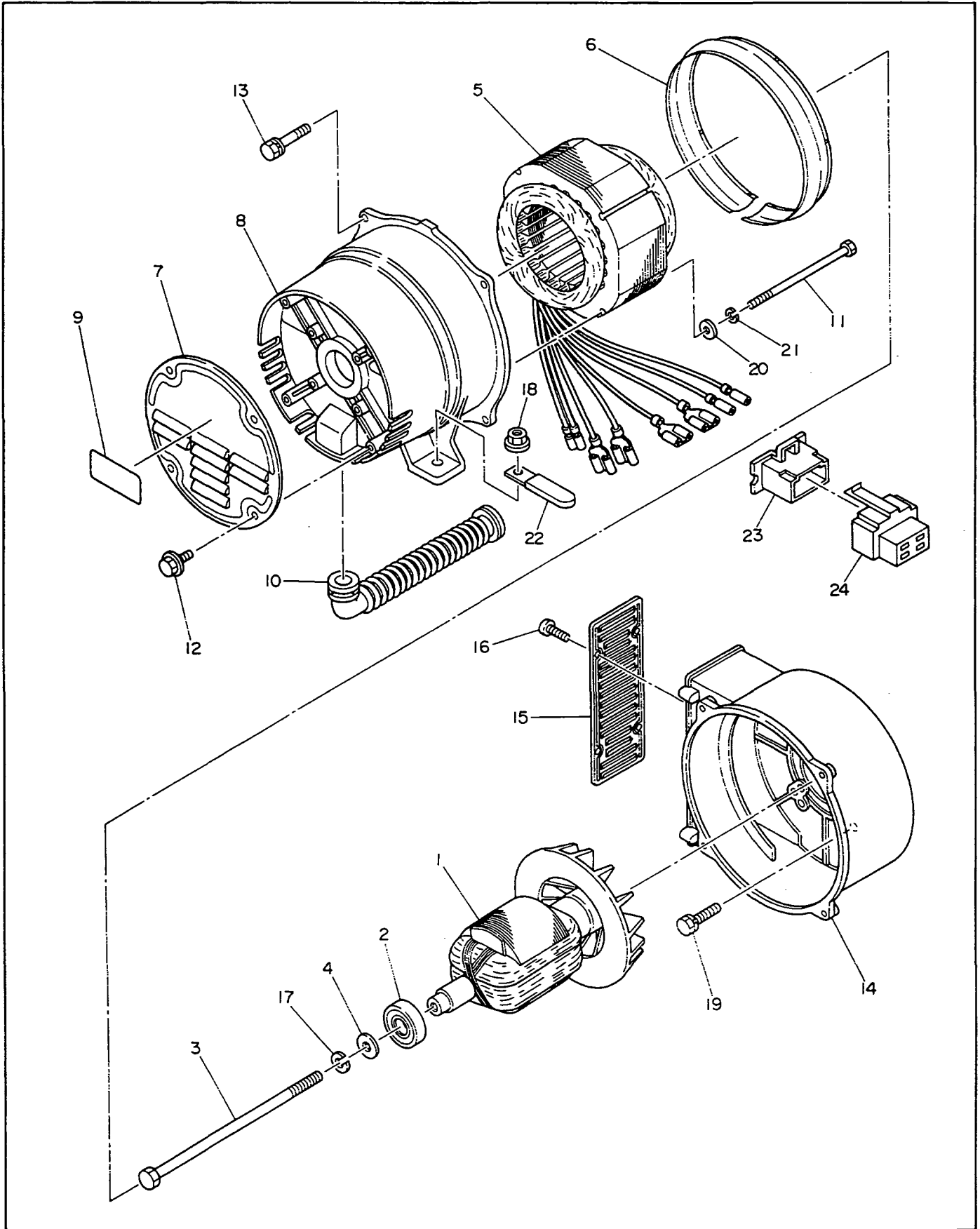


FIG. 1 GENERATOR

Interchangeability

Ref. No.	Parts Number	Description	Q'ty	Execution
* 1	388-50532-08	ROTOR, compl. Include item 2	1	
2	352-58208-08	BALL BEARING (6203ZZ)	1	
3	365-58006-08	THROUGH BOLT	1	
4	003-12080-00	WASHER	1	
5	388-51659-08	STATOR, compl. For 50HZ-110V, 220V, 110V/220V	1	
5	388-51660-08	STATOR, compl. For 50HZ-240V	1	
5	388-51661-08	STATOR, compl. For 60HZ-120V, 220V, 110V/220V, 120V/240V	1	
5	388-51670-08	STATOR, compl. For 60HZ-120V, U.S.A.	1	
6	388-54381-03	SUPPORT RING	1	
7	388-55001-13	END COVER	1	
8	388-54001-01	REAR COVER	1	
9	388-59186-08	LABEL, generator name For 50Hz-220V	1	
9	388-59323-08	LABEL, generator name For FRANCE, 50Hz-220V	1	
9	388-59187-08	LABEL, generator name For 50Hz-240V	1	
9	388-59188-08	LABEL, generator name For 50Hz-110V	1	
9	388-59189-08	LABEL, generator name For 50Hz-110V/220V	1	
9	388-59190-08	LABEL, generator name For 60Hz-220V	1	
9	388-59191-08	LABEL, generator name For 60Hz-110V/220V	1	
9	388-59192-08	LABEL, generator name For 60Hz-110V	1	
9	388-59193-08	LABEL, generator name For 60Hz-120V	1	
9	388-59194-08	LABEL, generator name For U.S.A., 60Hz-120V	1	
10	391-29000-13	BUSHING	1	
11	388-59984-08	BOLT	4	
12	011-00600-10	FLANGE BOLT	4	
13	001-14062-50	BOLT and WASHER ASS' Y	4	
14	388-54101-13	FRONT COVER	1	
15	388-55101-03	FRONT PROTECTOR	1	
16	015-20500-10	TAPPING SCREW	4	
17	003-20080-00	SPRING WASHER	1	
18	002-38080-00	FLANGE NUT	2	
19	001-13082-00	BOLT and WASHER ASS' Y	4	
20	003-10060-00	WASHER	4	
21	003-20060-00	SPRING WASHER	4	
22	056-60001-70	CLAMP	1	
23	353-47201-08	CONNECTOR (4 P)	1	
24	353-54301-08	CONNECTOR (4 P)	1	

When ordering parts : Always give the Model, Specification and Serial Number of Generator.

FIG. 2 PIPE FRAME and FUEL TANK

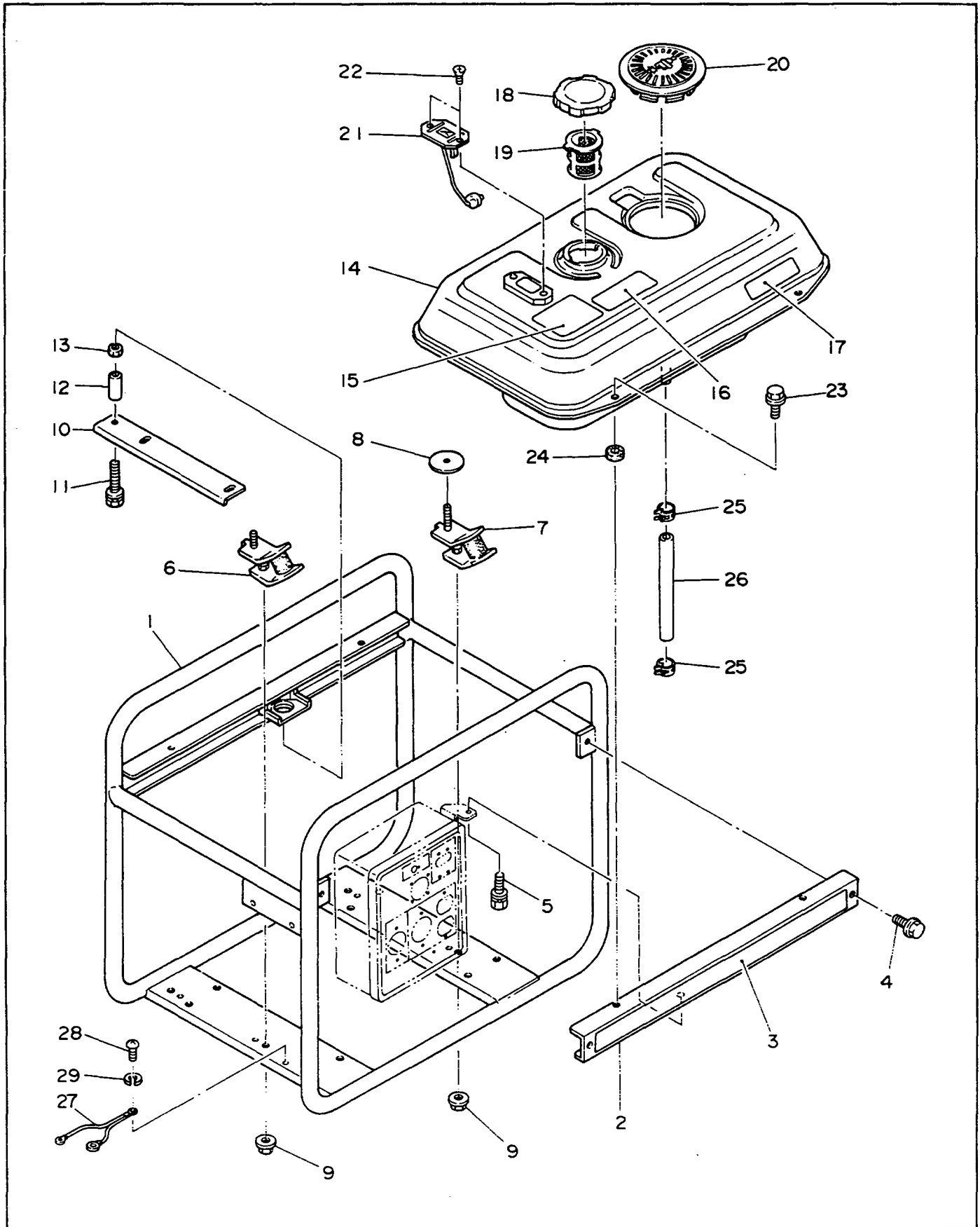


FIG. 3-6 CONTROL BOX (U.S.A., 60Hz-120V, NEMA)

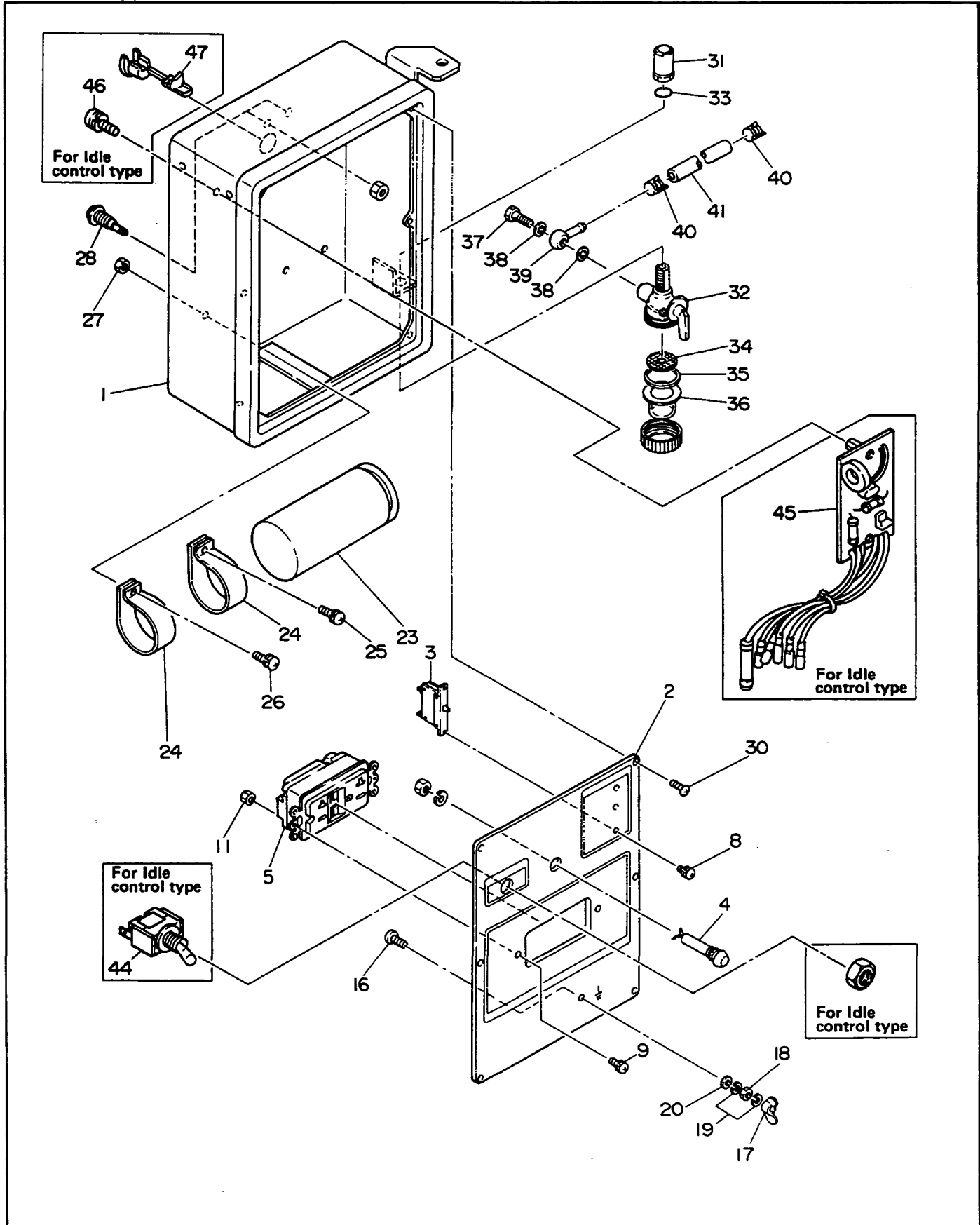


FIG. 3-6 CONTROL BOX (U.S.A., 60Hz-120V, NEMA)

Interchangeability

Ref. No.	Parts Number	Description	Q'ty	Execution
* 1	388-40645-08	CONTROL BOX ASS' Y For Idle control type Includes items 2 thru 20, 23 thru 30 and 44 thru 46	1	
1	388-43087-08	CONTROL BOX	1	
* 2	388-41471-08	CONTROL PANEL A ASS' Y Includes items 3 thru 20 and 44	1	
2	388-43703-08	CONTROL PANEL A	1	
3	351-45625-08	CIRCUIT PROTECTOR (15A)	1	
4	320-75173-08	PILOT LAMP	1	
5	391-47001-03	AC RECEPTACLE (125V-20A, GFCI)	1	
8	004-35030-60	SCREW and WASHER ASS' Y	2	
9	004-35041-00	SCREW and WASHER ASS' Y	2	
11	002-17040-00	NUT	2	
16	356-49907-08	SCREW	1	
17	353-49901-08	WING NUT	1	
18	353-49902-08	NUT	1	
19	332-00050-08	SPRING WASHER	2	
20	353-49903-08	WASHER	1	
23	388-47555-08	CONDENSER	1	
24	380-47531-08	CONDENSER BRACKET	2	
25	004-35041-00	SCREW and WASHER ASS' Y	1	
26	389-59989-08	SCREW and WASHER ASS' Y	1	
27	389-59990-08	NUT	1	
28	391-47500-03	TERMINAL, tester	1	
30	353-49904-08	SCREW	6	
31	053-30900-20	NUT, joint	1	
*32	064-20023-10	FUEL STRAINER ASS' Y Includes items 33 thru 38	1	
33	064-20003-30	"O" RING	1	
34	064-20002-20	FILTER	1	
35	064-20002-30	PACKING	1	
36	064-20002-10	CUP	1	
37	064-20002-40	BANJO BOLT	1	
38	064-20002-50	FIBER PACKING	2	
39	052-10601-10	BANJO	1	
40	056-11100-30	HOSE CLAMP	2	
41	085-10400-00	RUBBER PIPE (4.5φ×11φ×160mm)	1	
44	344-45615-08	SWITCH ASS' Y	1	
45	388-30603-08	IDLE CONTROL UNIT	1	
46	004-35041-00	SCREW and WASHER ASS' Y	2	
47	363-56000-08	CORD BUSH	1	

When ordering parts : Always give the Model, Specification and Serial Number of Generator.

FIG. 4 CRANKCASE and CYLINDER HEAD

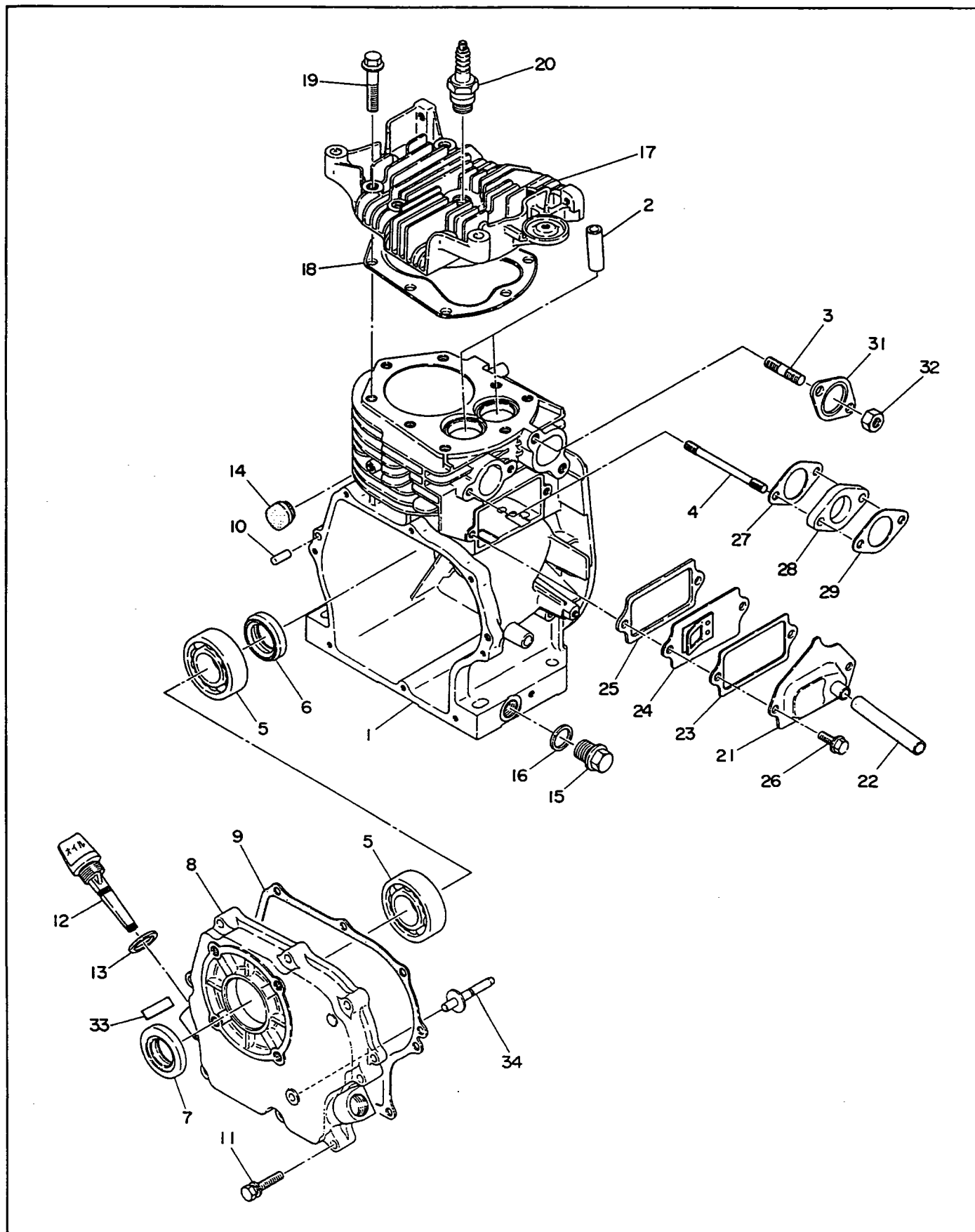


FIG. 4 CRANKCASE and CYLINDER HEAD

Interchangeability

Ref. No.	Parts Number	Description	Q'ty	Execution
* 1	227-10101-11	CRANKCASE, compl. Includes items 2 thru 6 and 10	1	
* 1	227-10105-21	CRANKCASE, compl. For Idle control type Includes items 2 thru 6 and 10	1	
2	227-14202-03	VALVE GUIDE, over size	2	
3	010-50802-50	STUD	2	
4	010-50601-20	STUD	2	
4	010-50601-91	STUD For Idle control type	2	
5	060-02500-10	BALL BEARING (BB-6205)	2	
6	044-02501-50	OIL SEAL (TB-25 ϕ \times 38 ϕ \times 7mm)	1	
7	044-02501-60	OIL SEAL (TB-25 ϕ \times 41.24 ϕ \times 7mm)	1	
* 8	227-11006-01	MAIN BEARING COVER, compl. Includes items 5, 7 and 34	1	
9	227-16001-03	GASKET	1	
10	031-00600-20	DOWEL PIN	2	
11	013-00600-40	BOLT and WASHER ASS'Y	8	
12	227-63601-03	OIL GAUGE	1	
13	021-31600-10	GASKET	1	
14	227-75001-03	GROMMET	1	
15	040-11400-30	PLUG	2	
16	021-11400-20	GASKET	2	
17	227-13101-13	CYLINDER HEAD	1	
18	227-15001-11	GASKET, compl., head	1	
19	011-00800-10	FLANGE BOLT	8	
20	065-01401-50	SPARK PLUG (NGK-BR6HS)	1	
21	227-14301-01	TAPPET COVER, compl.	1	
22	085-10800-00	RUBBER PIPE (8 ϕ \times 11 ϕ \times 66mm)	1	
23	227-16006-03	GASKET, tappet cover	1	
24	227-14401-01	BREATHER PLATE, compl.	1	
25	227-16007-03	GASKET, breather plate	1	
26	011-00600-20	FLANGE BOLT	2	
27	227-35901-03	GASKET, insulator.	1	
28	227-32901-03	INSULATOR	1	
29	227-35902-03	GASKET 2, insulator	1	
31	214-35201-11	GASKET, compl., exhaust	1	
32	002-19080-00	NUT	2	
33	073-20025-10	LABEL, oil	1	
*	227-99001-07	GASKET SET Includes items 9, 13, 18, 23, 25, 27, 29, and 31	1	

When ordering parts : Always give the Model, Specification and Serial Number of Generator.

FIG. 5 CRANKSHAFT, CAMSHAFT and PISTON

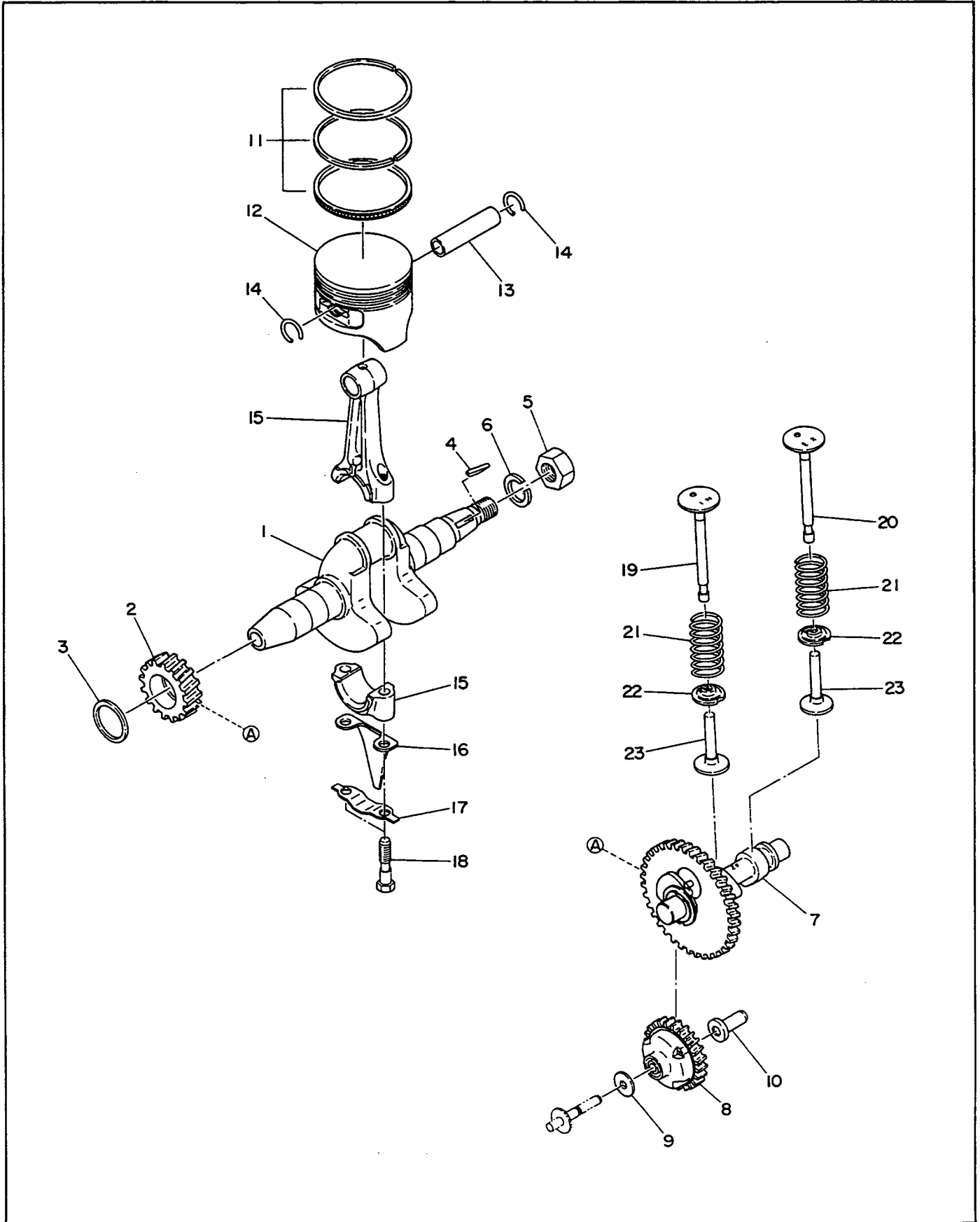


FIG. 6 GOVERNOR

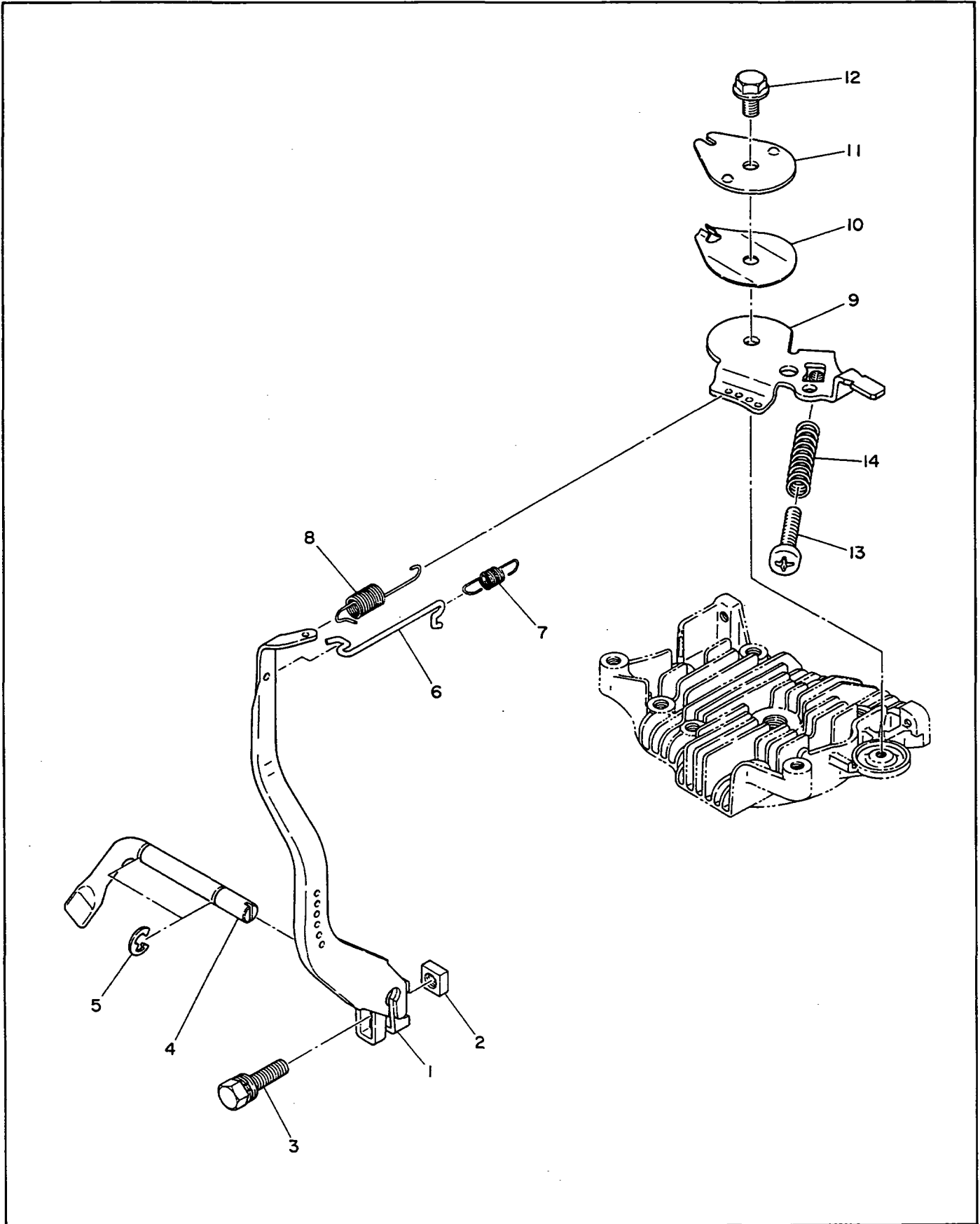


FIG. 7 BLOWER HOUSING and MUFFLER

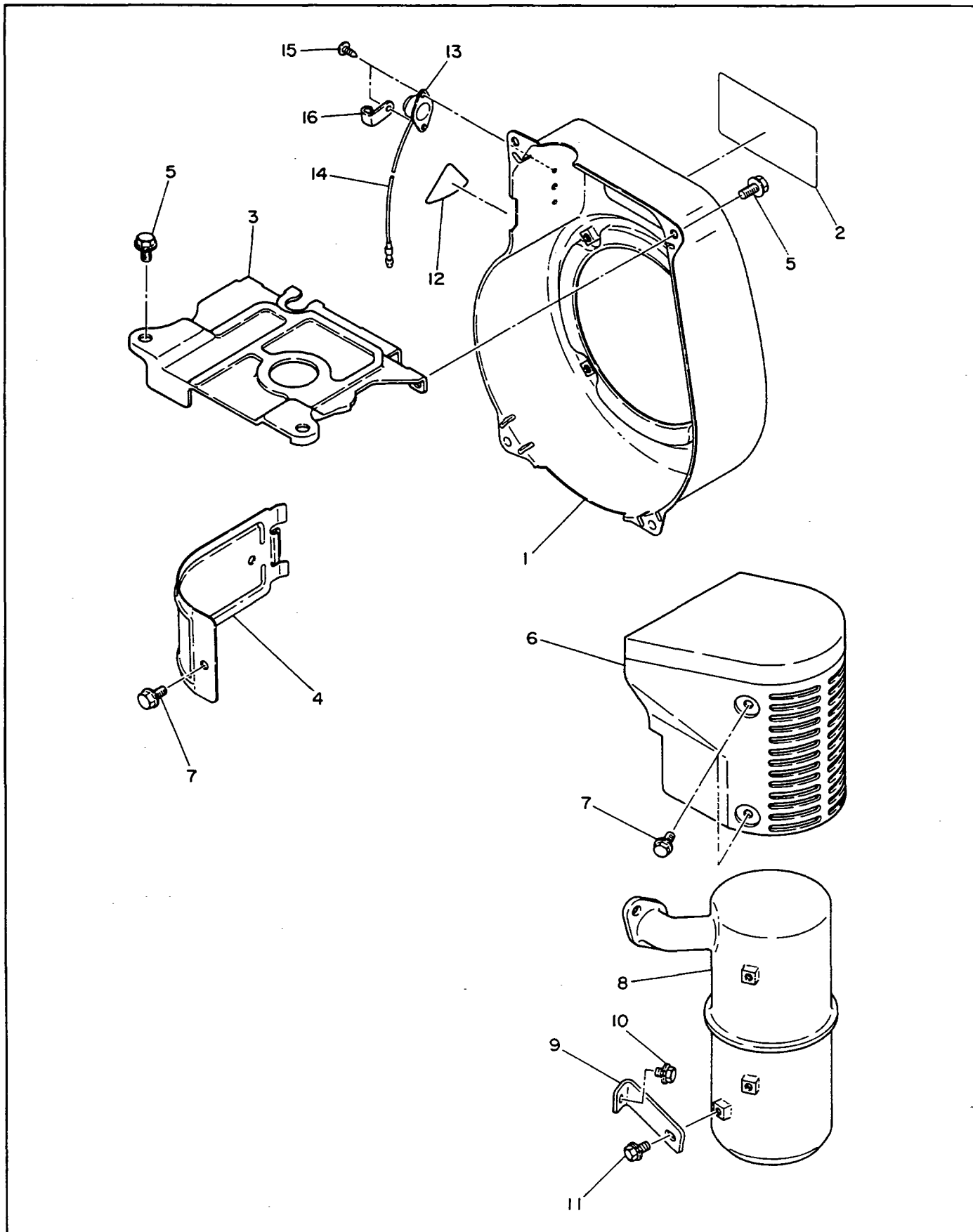


FIG. 8 AIR CLEANER, CARBURETOR and IDLE CONTROL

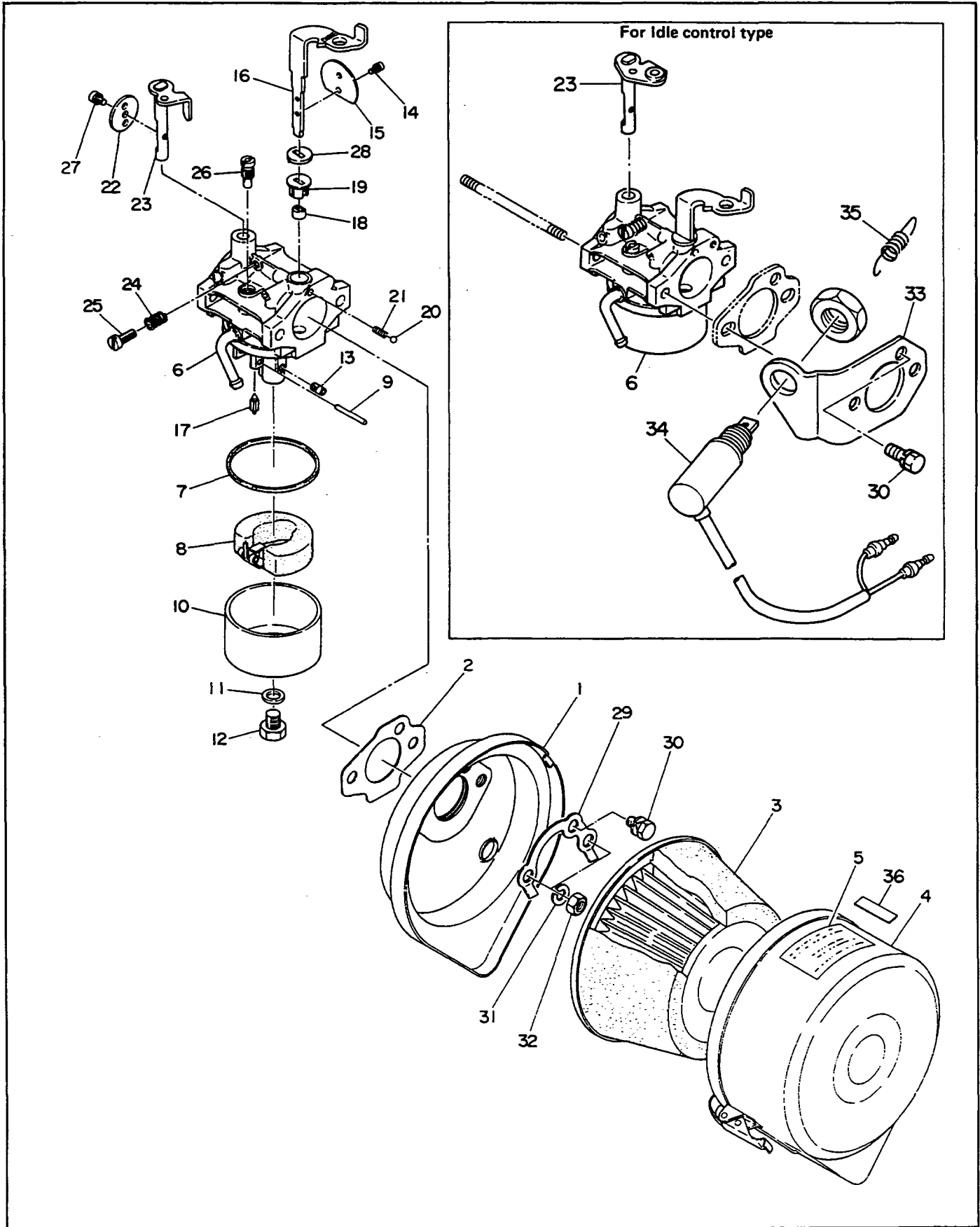


FIG. 8 AIR CLEANER, CARBURETOR and IDLE CONTROL

Interchangeability

Ref. No.	Parts Number	Description	Q'ty	Execution
* 1	227-32610-20	AIR CLEANER ASS' Y Includes items 2 thru 5	1	
2	227-36003-03	GASKET, air cleaner	1	
3	227-32610-07	CLEANER ELEMENT SET	1	
5	106-32738-08	LABEL, cleaner	1	
5	073-20025-08	LABEL, cleaner For FRANCE	1	
* 6	227-62304-10	CARBURETOR ASS' Y Includes items 7 thru 28	1	
* 6	227-62316-00	CARBURETOR ASS' Y For Idle control type Includes items 7 thru 28	1	
7	214-62540-08	FLOAT CHAMBER PACKING	1	
8	226-62505-08	FLOAT ASS' Y	1	
9	214-62515-08	FLOAT PIN	1	
10	214-62551-08	FLOAT CHAMBER BODY	1	
11	214-62450-08	PACKING	1	
12	214-62451-08	BOLT	1	
13	227-62400-08	MAIN JET (#82.5)	1	
14	226-62351-08	SCREW	2	
15	226-62525-08	CHOKE VALVE	1	
16	226-62520-08	CHOKE LEVER	1	
17	226-62500-08	NEEDLE VALVE ASS' Y	1	
18	226-62550-08	RING	1	
19	226-62551-08	RING	1	
20	209-62353-08	STEEL BALL	1	
21	209-62446-08	SPRING	1	
22	220-62535-08	THROTTLE VALVE (#170)	1	
23	226-62530-08	SHAFT ASS' Y, throttle	1	
23	227-62530-08	SHAFT ASS' Y, throttle For Idle control type	1	
24	209-62445-08	SPRING	1	
25	106-62393-08	SCREW	1	
26	209-62420-08	PILOT JET (#50)	1	
27	150-62356-08	SCREW	1	
28	227-62550-08	SEAL	1	
29	227-36501-01	LOCK WASHER, air cleaner	1	
30	001-10061-20	BOLT and WASHER ASS' Y	1	
30	001-10061-60	BOLT and WASHER ASS' Y For Idle control type	1	
31	003-20060-00	SPRING WASHER	2	
32	002-17060-00	NUT	2	
33	227-48602-01	BRACKET, solenoid For Idle control type	1	
34	227-75503-00	SOLENOID ASS' Y For Idle control type	1	
35	227-46903-03	SPRING, solenoid For Idle control type	1	

When ordering parts : Always give the Model, Specification and Serial Number of Generator.

FIG. 9 MAGNETO

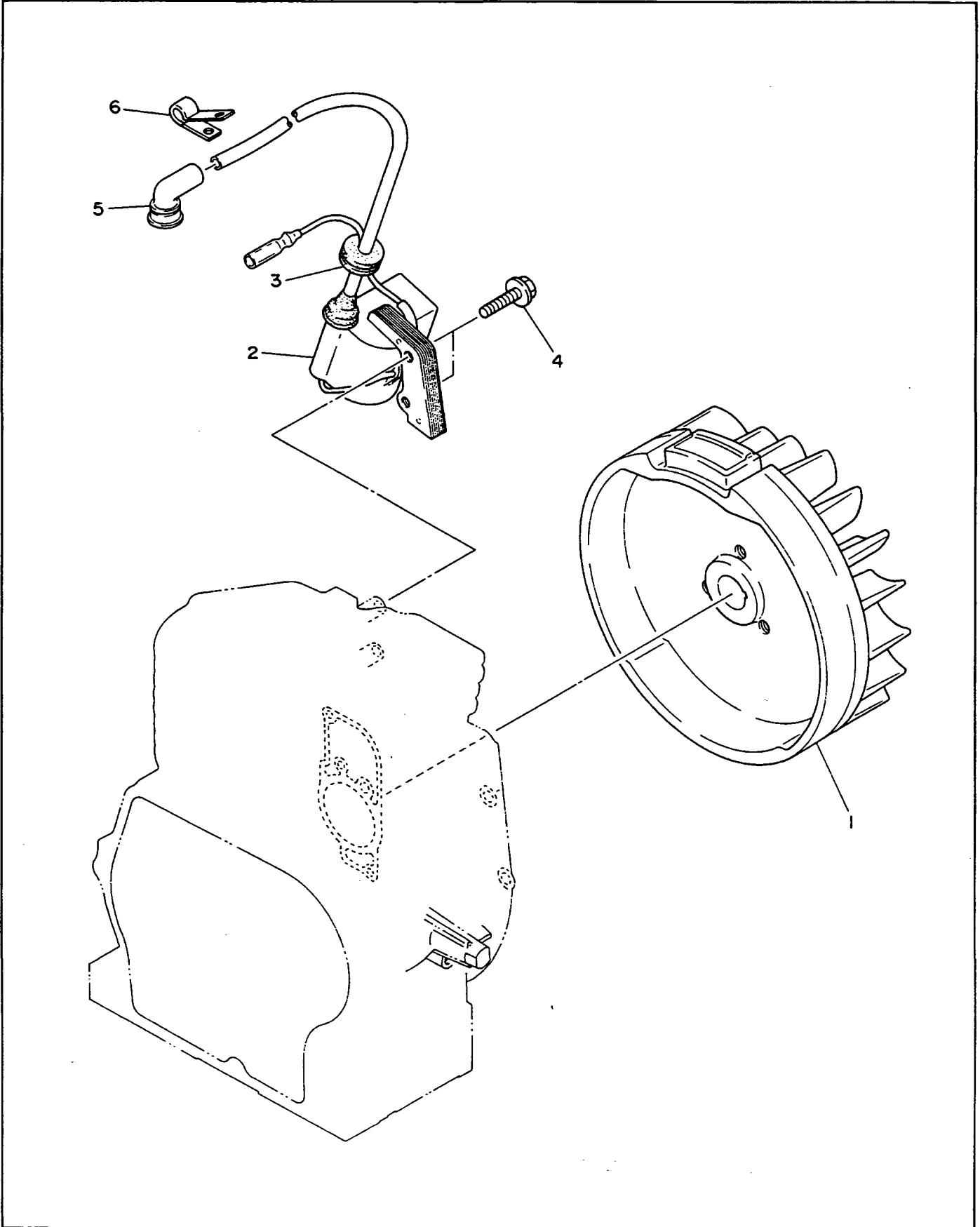


FIG. 10 RECOIL STARTER

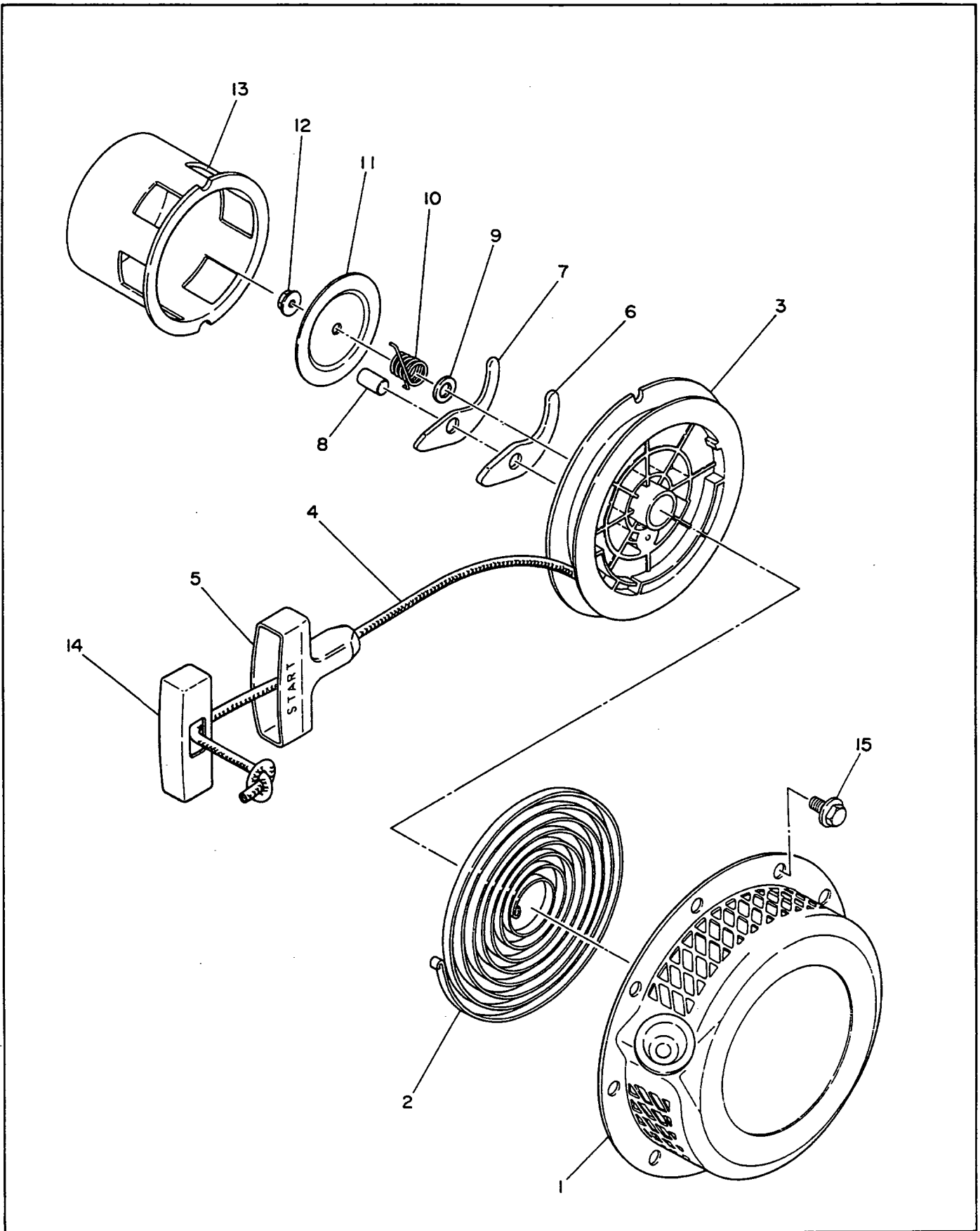
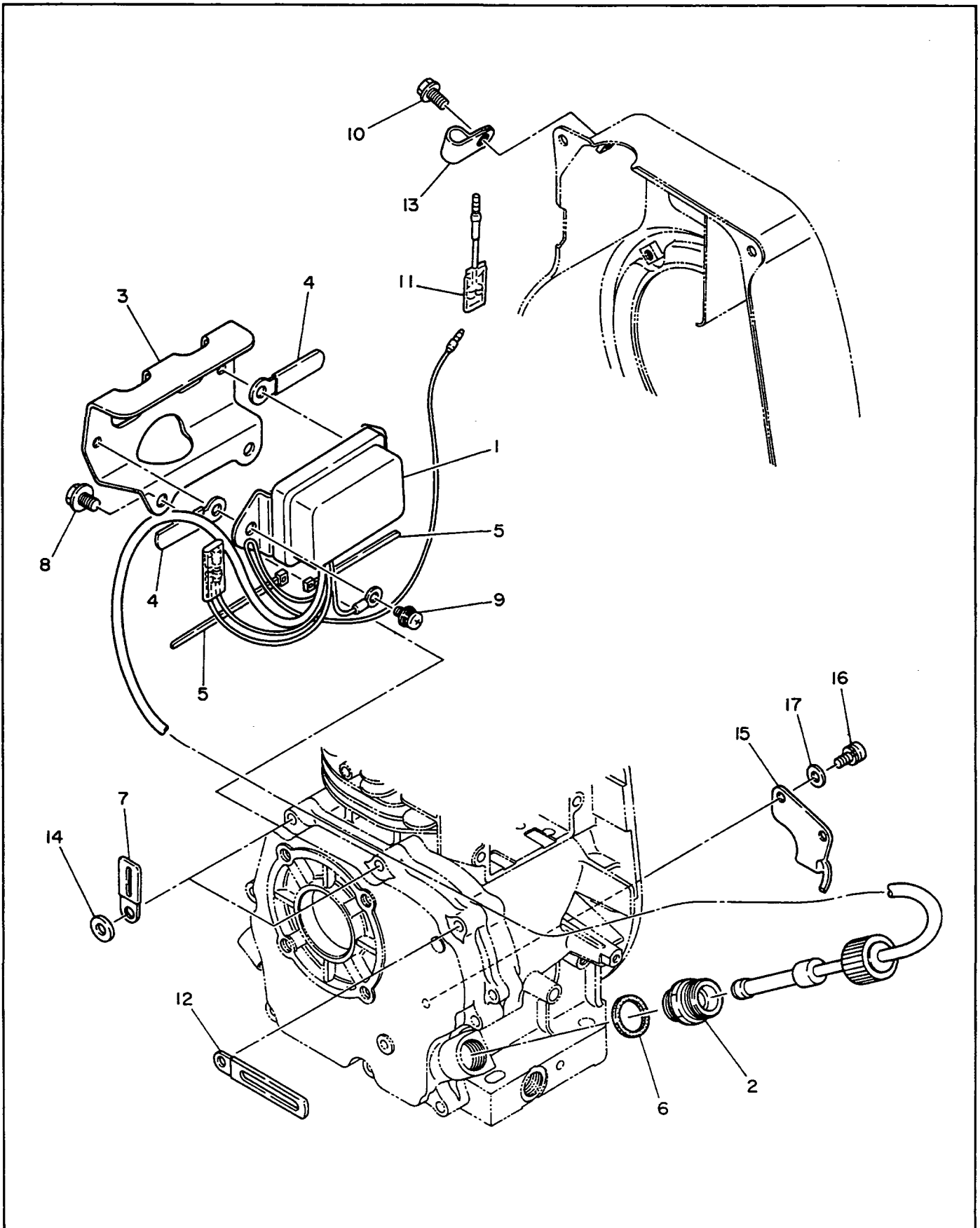


FIG. 11 OIL SENSOR





Robin America, Inc.

940 Lively Blvd. • Wood Dale, IL 60191 • Phone: 630-350-8200 • Fax: 630-350-8212
e-mail: sales@robinamerica.com • www.robinamerica.com

PRINTED IN THE USA

Robin America, Inc.