

**Robin Industrial Engines®**

# **PARTS MANUAL**

**Model**

**EY15-2B**

1193P205



**ROBIN AMERICA, INC.**  
**ROBIN TO WISCONSIN ROBIN**  
**ENGINE MODEL CROSS REFERENCE LIST**

ROBIN

WISCONSIN ROBIN

SIDE VALVE

EY08	W1-080
EY15	W1-145
EY15V	W1-145V
EY20	W1-185
EY20V	W1-185V
EY23	W1-230
EY28	W1-280
EY35	W1-340
EY40	W1-390
EY45V	W1-450V
EY21	EY21W
EY44	EY44W
EY18-3	EY18-3W
EY25	EY25W
EY27	EY27W

OVERHEAD VALVE

EH11	WO1-115
EH12	WO1-120
EH15	WO1-150
EH17	WO1-170
EH21	WO1-210
EH25	WO1-250
EH30	WO1-300
EH30V	WO1-300V
EH34	WO1-340
EH34V	WO1-340V
EH43V	WO1-430V

TWO CYCLE

EC13V	WT1-125V
-------	----------

DIESEL

DY23	WRD1-230
DY27	WRD1-270
DY30	WRD1-300
DY35	WRD1-350
DY41	WRD1-410

## HOW TO USE THIS PARTS CATALOG

All Robin Industrial Engines have a Production number to identify their specification. The Production number is a 15 digit, alphanumeric number. The first 11 digits are classified as the specification number of the engine. The last 4 digits are the manufacturing code. An example is shown below:

(PRODUCTION NUMBER)	
EY400DD1650	XXXX
(SPECIFICATION #)	(CODE)

All 15 digit production numbers will be located in one of the following locations depending upon the engine model. The number will either be stamped onto a cylinder baffle or attached to one of the other locations by an easily visible label.

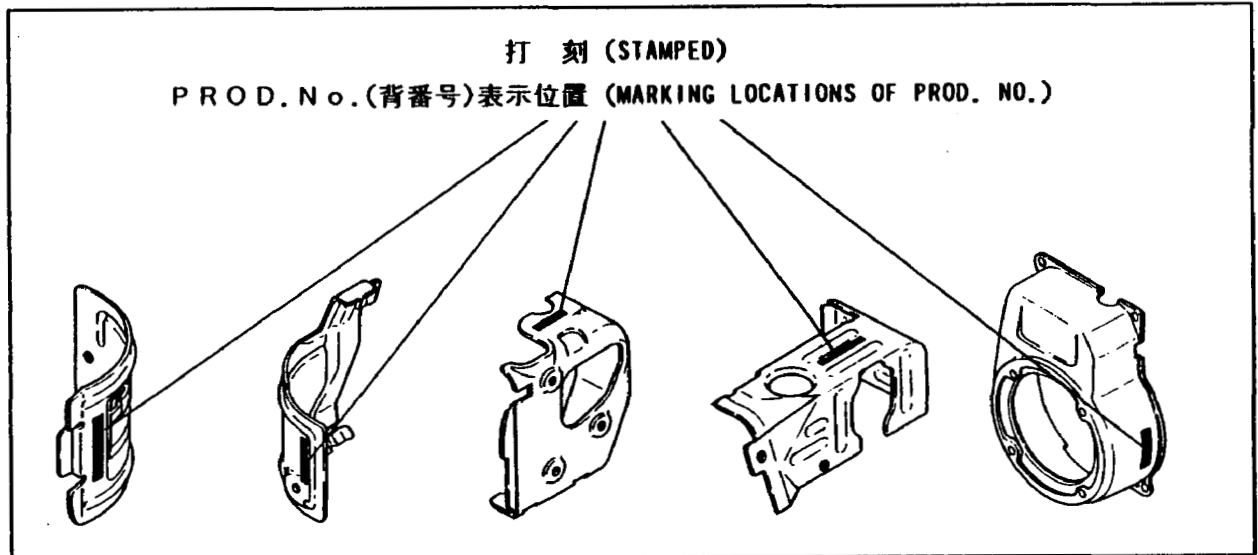
MARKING LOCATIONS OF PRODUCTION NUMBER

# PROD.No.

## How to check PROD. No.

PROD.No.

Check PROD. No. as illustrated below.



PROD.No. with 15 characters is marked either by stamping on the cylinder buffle or by sticking label to easily visible locations such as on the blower housing.

PROD.No.(背番号)

表示例

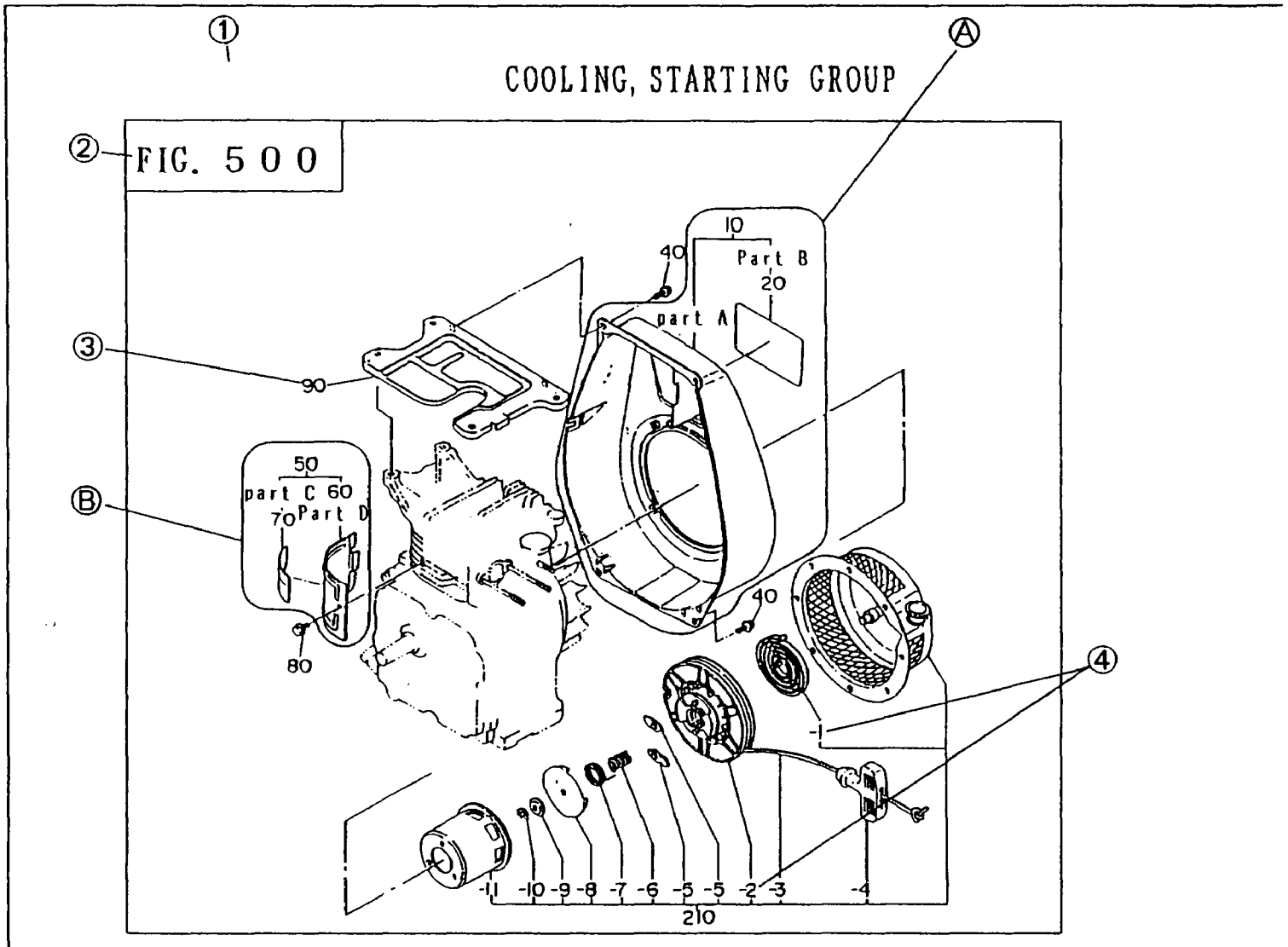
Marking example

PROD.No. OO△△△□□□□□□XXXX

PROD.No. OO△△△□□□□□□

XXXX

# How to find the part of your need



NOTE: Some of the parts shown may be somewhat different from their actual shape and location. The illustrations of this catalog are intended to assist in ordering the correct part(s).

## [TERMS]

(1) Group..... Parts are classified into functional groups. Refer to the group index for specific groups.

(2) Fig. No. ....Indicates illustration number and corresponds to the FIG. NO. in the list.

(3) Ref. No. .... Corresponds to Ref. No. in parts list.

Example A.... The part indicated by Ref. No. 10 consists of part A and B. Part A is available either in the form of an assembly, Ref. No. 10(A<sub>Y</sub>), or as a complete unit, A (CP). Part B is available as a part by itself.

Example B.....Parts C and D are available either as an assembly, Ref. No. 50(A<sub>Y</sub>) or as a complete unit, (CP). Both parts are available as a part by itself.

(4) Sub-divided Ref. No.....Refers to a separate part within a group that is available as an independent part.

① 5. クーリング, スタートイング ..... COOLING, STARTING GROUP

REF NO.	部品番号 PART NUMBER	部品名 PART NAME	数量 QTY	備 考 RE M A R K S	管理番号 CODE NO. FROM-TO	小売単価 UNIT PRICE	FIG. NO.
③ 10	234-51201-01	ブローハウジング CP BLOWER HOUSING CP	1	D形川 for D type	-		500 ②
	234-51101-01	ブローハウジング CP BLOWER HOUSING CP	1	B形川 for B type	-		500
	20 234-91701-03	ラベル(トレードマーク) LABEL (TRADE MARK)	1		-		500
⑤ 50	234-52602-01	シリンダバッフル CP CYLINDER BAFFLE CP	1	D形川 for D type	-		500
	234-52601-01	シリンダバッフル CP CYLINDER BAFFLE CP	1	B形川 for B type	-		500 ④
60	234-52601-03	シリンダバッフル CYLINDER BAFFLE	1		-		500
70	234-91802-03	ラベル(エンジン名) LABEL (ENGINE NAME)	1	D形川 for D type	-		500
	234-91801-03	ラベル(エンジン名) LABEL (ENGINE NAME)	1	B形川 for B type	-		500
80	011-00600-20	フランジボルト FLANGE BOLT	1		-		500
90	234-52701-23	ヘッドカバー HEAD COVER	1		0091-		500 ⑤
	234-52701-13	ヘッドカバー HEAD COVER	1		0001-0090		500
	234-52701-03	ヘッドカバー HEAD COVER	1		-0000		500
210	234-50211-00	リコイルスターター AY RECOIL STARTER AY	1		-		500
④ 1	106-50116-08	スパイラルスプリング SPIRAL SPRING	1		-		500
2	207-50122-18	リール CP REEL CP	1		-		500
3	106-50113-08	スターターロープ STARTER ROPE	1		-		500
4	206-50101-08	スターターノブ STARTER KNOB	1		-		500

(5) Part No.....Part number assigned to part used in the applicable product. Is the number to be ordered.

(6) Part Name..Brief description of part number..

(7) Quantity....Number of parts required for particular part number in applicable product.

(8) Remarks....Additional information (if applicable) required for applicable product.

(9) Code No... Indicates modification records and provides identification of the part used in the items with Production No. by referring to the Code No.

Example (C)

[ - ] The part has been continuously used in the applicable product regardless of Code No.

Example (D)

[ 0091- ] Part used in the products with code number after 0091.

[ 0001-0091 ] Part used in the products with code number between 0001 - 0091.

[ - 0000 ] Part used in the products with code number before 0000.

(10) Unit Price..Refer to Robin America published Parts Price Catalog for pricing.

[Note] Information on parts for Engines with a Code Number before 0001 and without a Production No. stamped on the engines are available by providing the engine serial number found stamped on the crankcase of the engine.

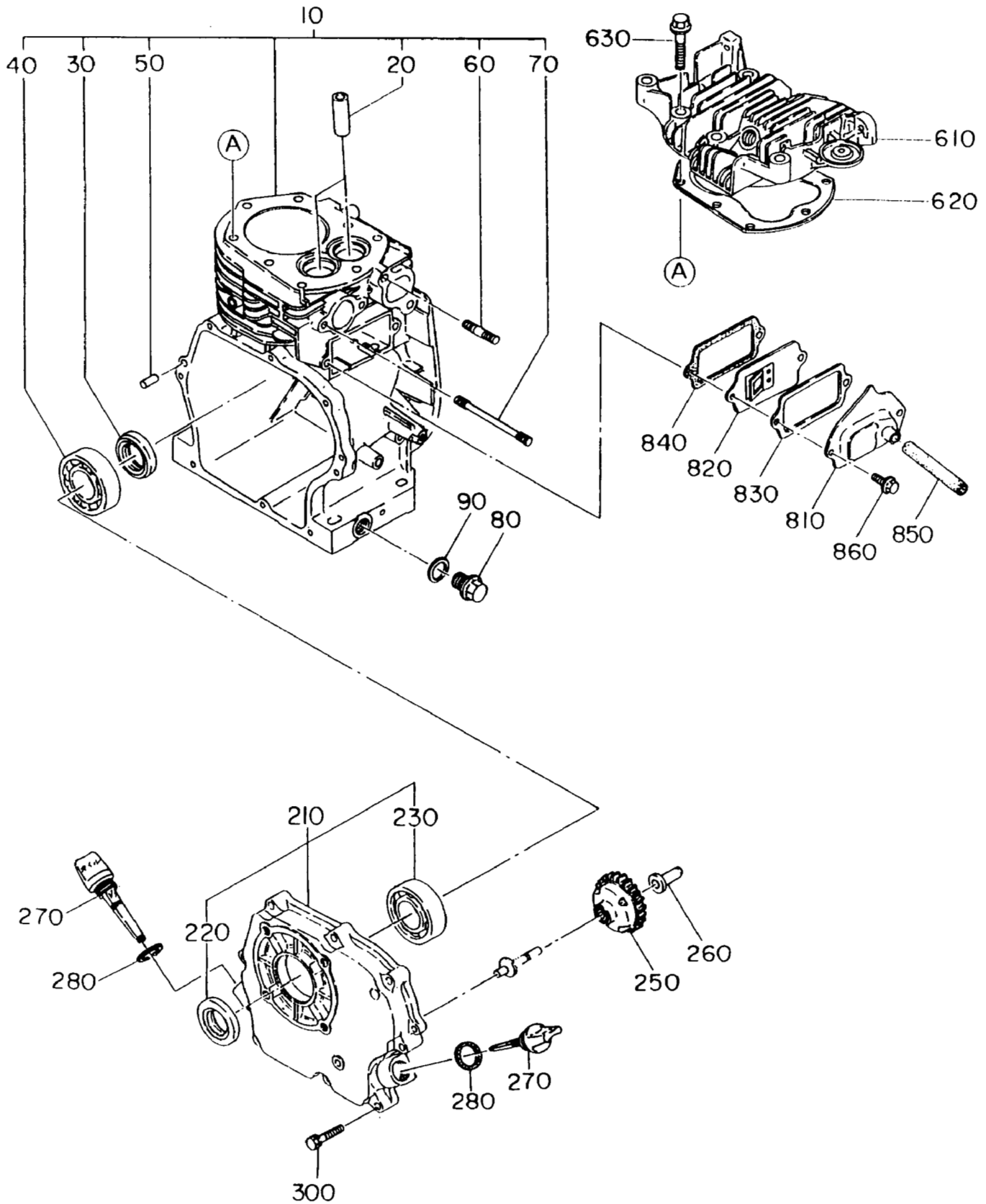
# GROUP INDEX

GROUP NAME	FIG. NO.	PAGE
CRANKCASE .....	100	2
CRANK, PISTON.....	200	6
INTAKE, EXHAUST.....	300	8
GOVERNOR, OPERATE .....	400	10
COOLING, STARTING.....	500	12
FUEL, LUBRICANT .....	600	14
ELECTRIC DEVICE .....	700	18

# CRANKCASE GROUP

## FIG. 100

for D type





CRANKCASE GROUP

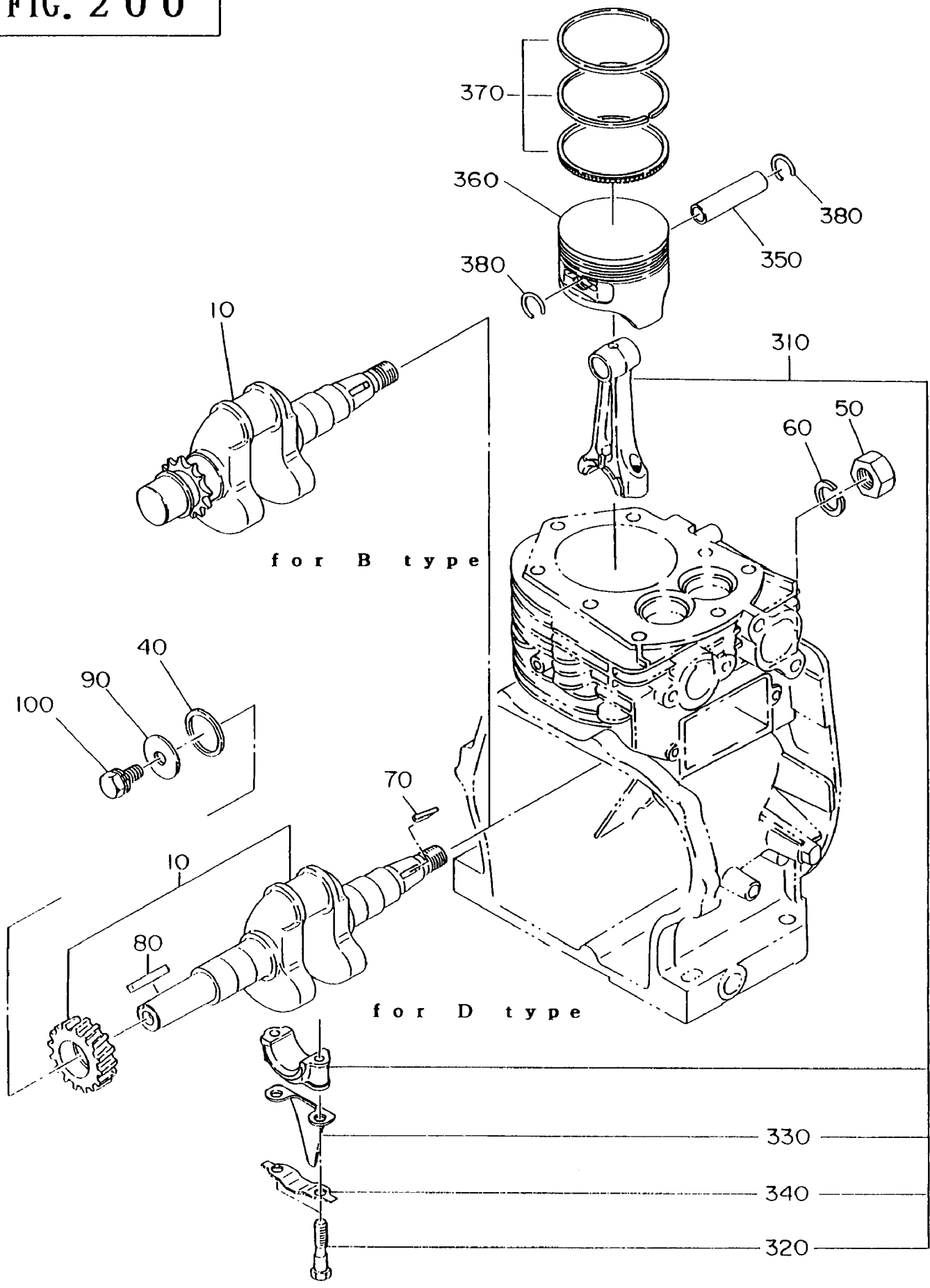
REF.	PART NUMBER	PART NAME	QTY	REMARKS	CODE NO. FROM-TO	INTERCHANGEABLE PART NUMBER	UNIT PRICE	FIG.
10	226-10101-21	CRANK CASE CP	1	STD	-			100
20	227-14202-03	VALVE GUIDE	2		-			100
30	044-02501-50	OIL SEAL	1	25X38X7	-			100
40	060-02500-10	BALL BEARING	1	BB6205C3	-			100
50	031-00600-20	DOWEL PIN	2		-			100
60	010-50802-50	STUD	2		-			100
70	010-50601-20	STUD	2		-			100
80	040-11400-30	PLUG	2		-			100
90	021-11400-20	GASKET	2		-			100
210	227-11002-21	MAIN BEARING COVER C	1		-	227-11001-21		100
220	044-02501-60	OIL SEAL	1	25X41. 24X7	-			100
230	060-02500-10	BALL BEARING	1	BB6205C3	-			100
250	227-45003-01	GOVERNOR GEAR CP	1		-			100
260	205-41901-03	GOVERNOR SLEEVE	1		-			100
270	227-63601-03	OIL GAUGE	1		-			100
280	021-31600-10	GASKET	1		-			100
290	227-16001-03	GASKET (BEARING COV)	1		-			100
300	013-00600-40	BOLT AND WASHER AY	8		-			100
610	226-13001-13	CYLINDER HEAD	1		-			100
620	226-15001-11	GASKET CP (HEAD)	1		-			100
630	011-00800-10	FLANGE BOLT	8		-			100
810	227-14301-01	TAPPET COVER CP	1		-			100
820	227-14401-01	BREATHER PLATE CP	1		-			100
830	227-16006-03	GASKET (TAPPET COVER)	1		-			100
840	227-16007-03	GASKET (BREATHER PLA)	1		-			100
850	085-10800-00	RUBBER PIPE	1	8X11XM	-			100
860	011-00600-20	FLANGE BOLT	2		-			100
960	226-99001-07	GASKET SET	1		-			100

93/09/30

EY150YD0030 EX. R/A-STD. .

# CRANK, PISTON GROUP

FIG. 200



CRANKSHAFT, PISTON GR

REF.	PART NUMBER	PART NAME	QTY	REMARKS	CODE NO. FROM-TO	INTERCHANGEABLE PART NUMBER	UNIT PRICE	FIG.
10	226-20207-01	CRANKSHAFT CP	1		-			200
40	023-02501-10	SPACER	1	T=0.6 SELECTIVE ASSY	-			200
	023-02501-20	SPACER	1	T=0.8 SELECTIVE ASSY	-			200
	023-02501-30	SPACER	1	T=1.0 SELECTIVE ASSY	-			200
50	002-18140-00	NUT	1		-			200
60	003-20140-00	SPRING WASHER	1		-			200
70	032-30300-10	WOODRUFF KEY	1		-			200
310	226-22511-00	CONNECTING ROD AY	1		-			200
320	226-23001-03	CONNECTING ROD BOLT	2		-			200
330	226-23101-03	OIL SCRAPER	1		-			200
340	205-23201-03	ROD LOCK WASHER	1		-			200
350	214-23301-13	PISTON PIN	1		-			200
360	226-23401-03	PISTON	1	STD	-			200
	226-23402-03	PISTON	1	0.25 OVERSIZE	-			200
	226-23403-03	PISTON	1	0.50 OVERSIZE	-			200
370	226-23501-07	PISTON RING SET	1	STD	-			200
	226-23502-07	PISTON RING SET 0.25	1	0.25 OVERSIZE	-			200
	226-23503-07	PISTON RING SET 0.50	1	0.50 OVERSIZE	-			200
380	056-51400-10	CLIP	2		-			200

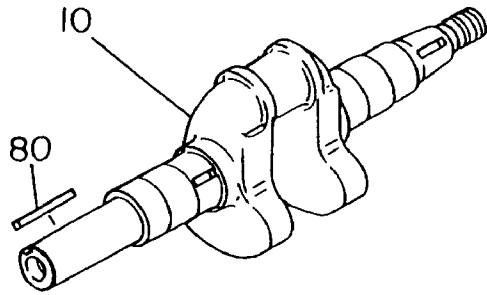
93/09/30

EY150YD0030 EX. R/A-STD.

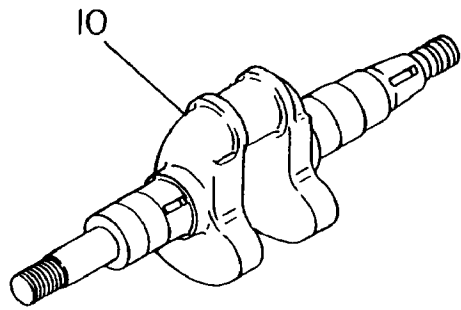
# CRANK, PISTON GROUP

**FIG. 200**

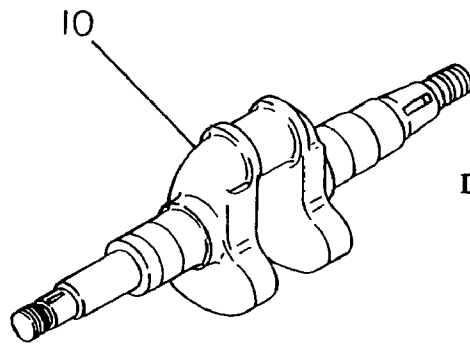
CRANKSHAFT for "SAE FLANGE"



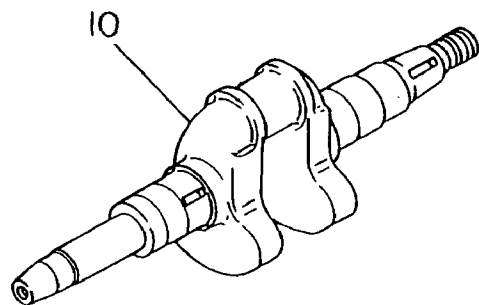
**DU type**



**DP type**



**DPL type**



**DH type**

CRANKSHAFT, PISTON GR

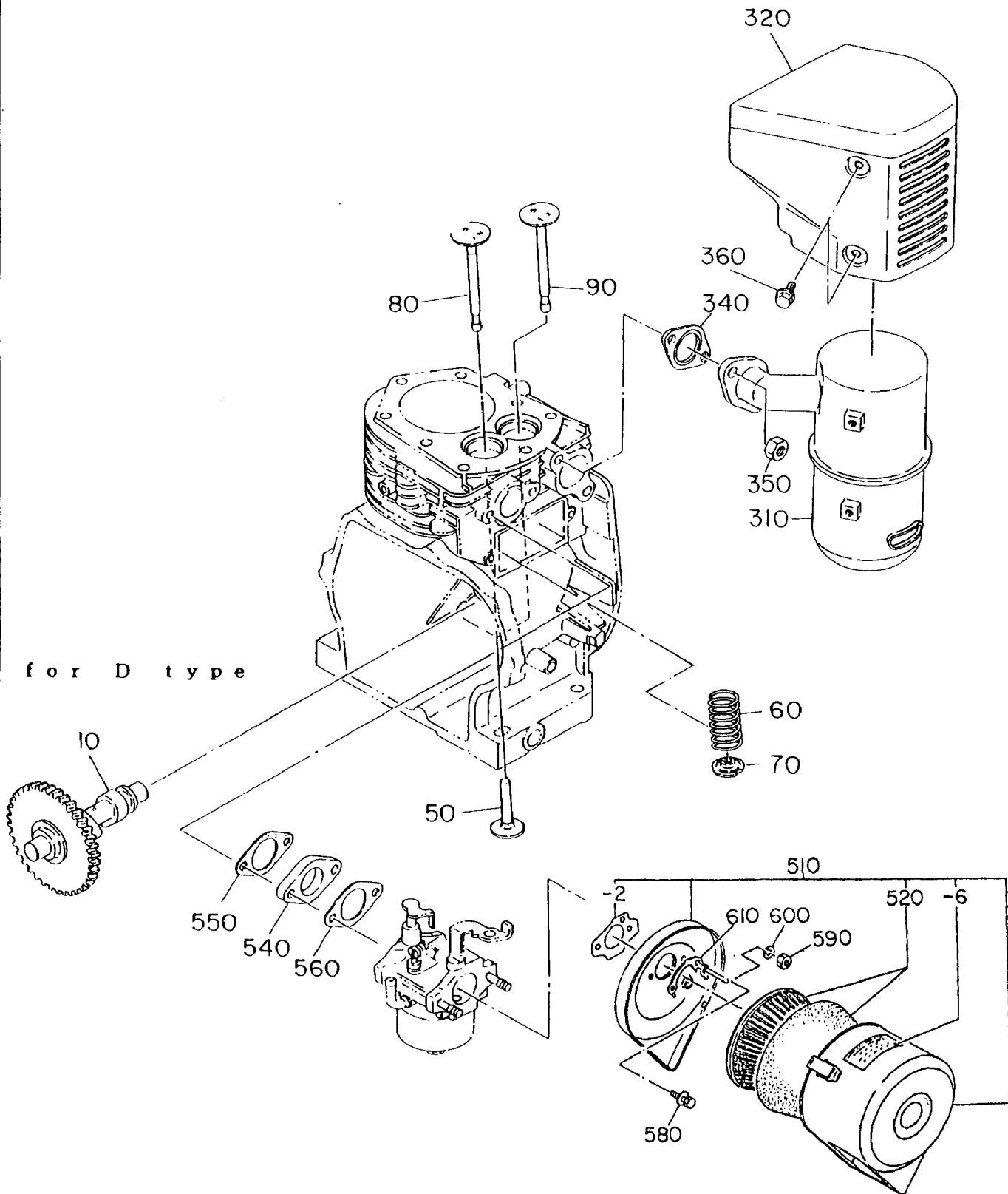
REF.	PART NUMBER	PART NAME	QTY	REMARKS	CODE NO. FROM-TO	INTERCHANGEABLE PART NUMBER	UNIT PRICE	FIG.
10	226-20207-01	CRANKSHAFT CP	1		-			200
40	023-02501-10	SPACER	1	T=0.6 SELECTIVE ASSY	-			200
	023-02501-20	SPACER	1	T=0.8 SELECTIVE ASSY	-			200
	023-02501-30	SPACER	1	T=1.0 SELECTIVE ASSY	-			200
50	002-18140-00	NUT	1		-			200
60	003-20140-00	SPRING WASHER	1		-			200
70	032-30300-10	WOODRUFF KEY	1		-			200
310	226-22511-00	CONNECTING ROD AY	1		-			200
320	226-23001-03	CONNECTING ROD BOLT	2		-			200
330	226-23101-03	OIL SCRAPER	1		-			200
340	205-23201-03	ROD LOCK WASHER	1		-			200
350	214-23301-13	PISTON PIN	1		-			200
360	226-23401-03	PISTON	1	STD	-			200
	226-23402-03	PISTON	1	0.25 OVERSIZE	-			200
	226-23403-03	PISTON	1	0.50 OVERSIZE	-			200
370	226-23501-07	PISTON RING SET	1	STD	-			200
	226-23502-07	PISTON RING SET 0.25	1	0.25 OVERSIZE	-			200
	226-23503-07	PISTON RING SET 0.50	1	0.50 OVERSIZE	-			200
380	056-51400-10	CLIP	2		-			200

93/09/30

EY150YD0030 EX, R/A-STD, ,

# INTAKE, EXHAUST GROUP

FIG. 3 0 0



INTAKE, EXHAUST GROUP

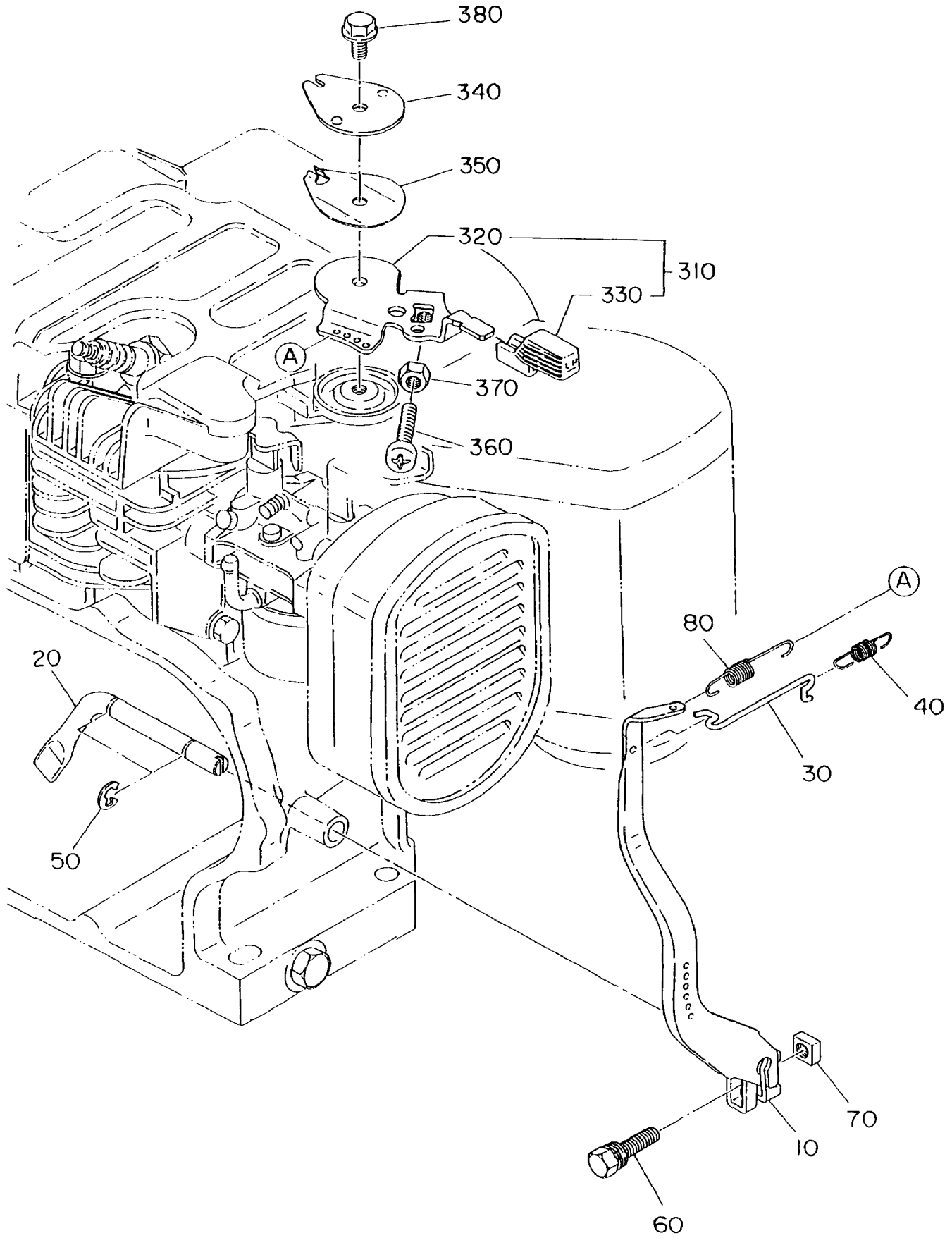
REF.	PART NUMBER	PART NAME	QTY	REMARKS	CODE NO. FROM-TO	INTERCHANGEABLE PART NUMBER	UNIT PRICE	FIG.
10	226-31701-13	CAMSHAFT	1		-	226-31701-03		300
50	226-33301-03	TAPPET	2		-			300
60	227-33601-03	VALVE SPRING	2		-			300
70	227-33701-03	SPRING RETAINER	2		-			300
80	226-33401-03	INTAKE VALVE	1		-			300
90	226-33501-13	EXHAUST VALVE	1		-			300
310	226-30101-01	MUFFLER CP	1		-			300
320	226-34201-11	MUFFLER COVER CP	1		-			300
340	226-35201-01	GASKET CP, EXHAUST	1		-			300
350	002-19080-00	NUT	2		-			300
360	011-00600-10	FLANGE BOLT	3		-			300
510	226-32610-00	AIR CLEANER AY	1		-			310
- 2	226-32720-08	GASKET (AIR CLEANER)	1		-			310
- 6	106-32738-08	LABEL	1		-			310
520	226-32610-07	ELEMENT SET	1		-			310
540	227-32901-13	INSULATOR	1		-			300
550	227-35901-03	GASKET (INSULATOR)	1		-			300
560	227-35904-03	GASKET 2 (INSULATOR)	1		-			300
580	001-10061-20	BOLT AND WASHER AY	1		-			310
590	002-17060-00	NUT	2		-			310
600	003-20060-00	SPRING WASHER	2		-			310
610	227-36501-01	LOCK WASHER CP, A/C	1		-			310

93/09/30

EY150YD0030 EX. R/A - STD. .

# GOVERNOR, OPERATE GROUP

FIG. 400

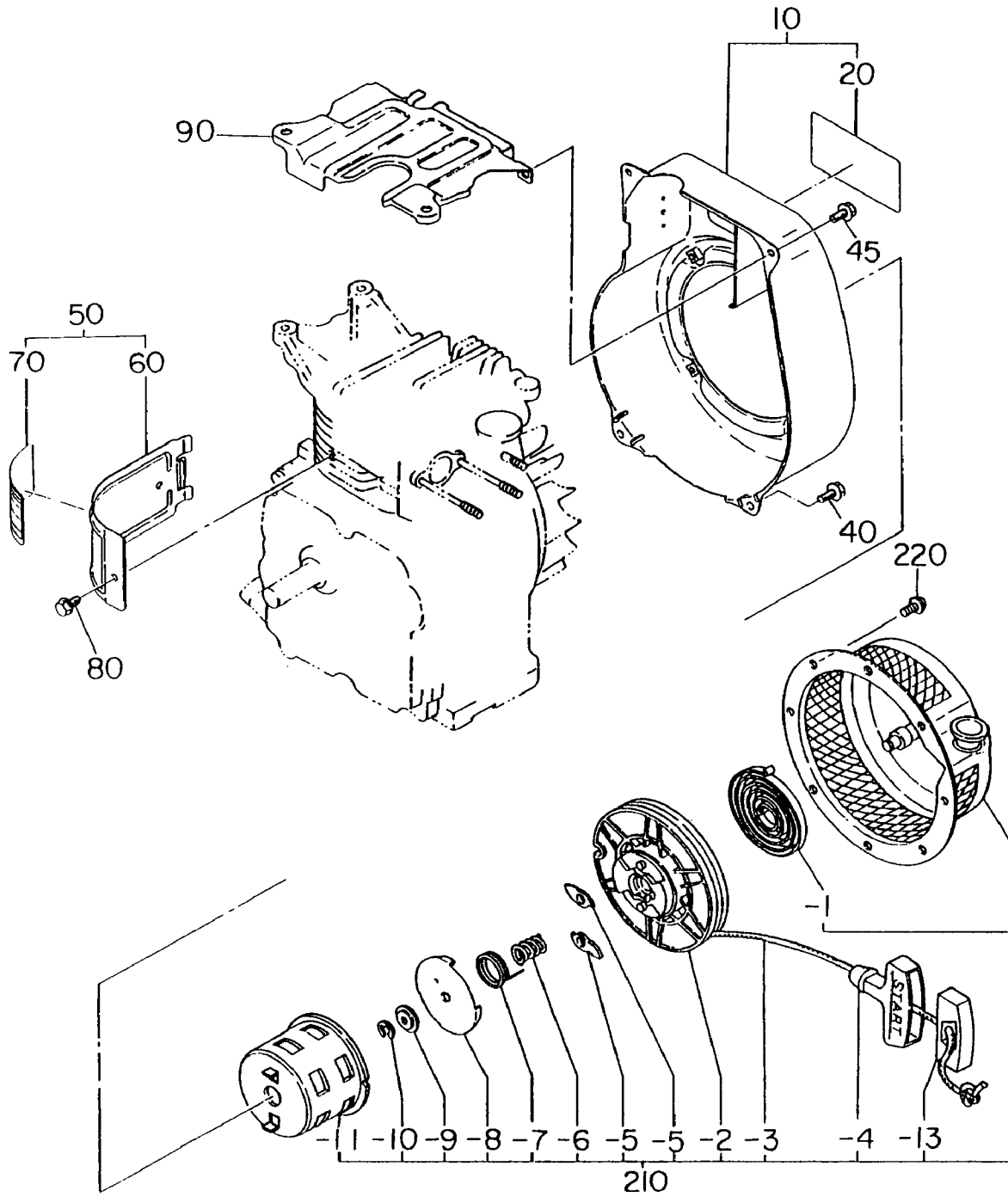






# COOLING, STARTING GROUP

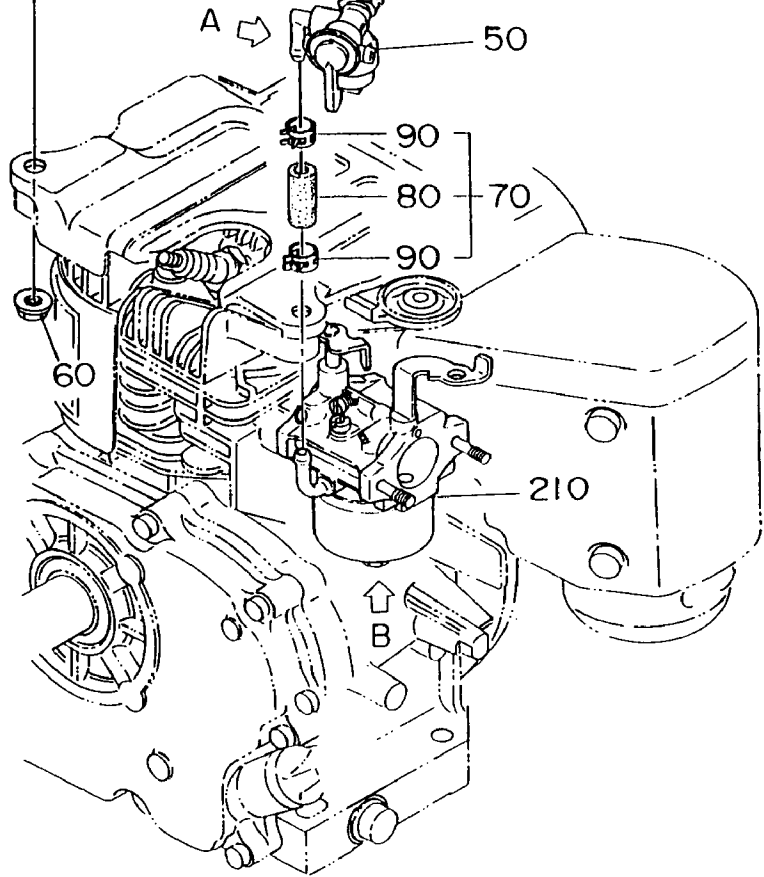
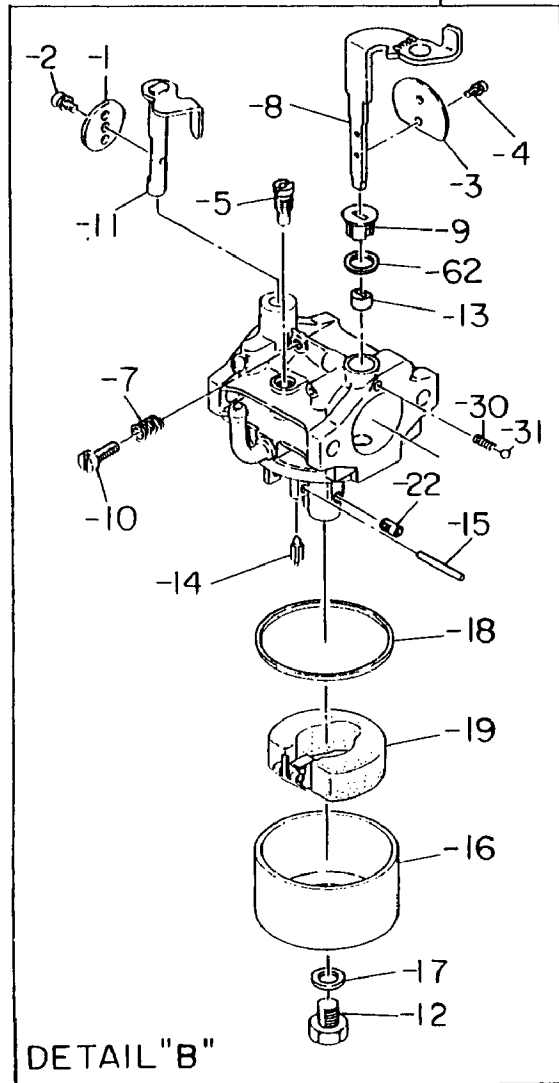
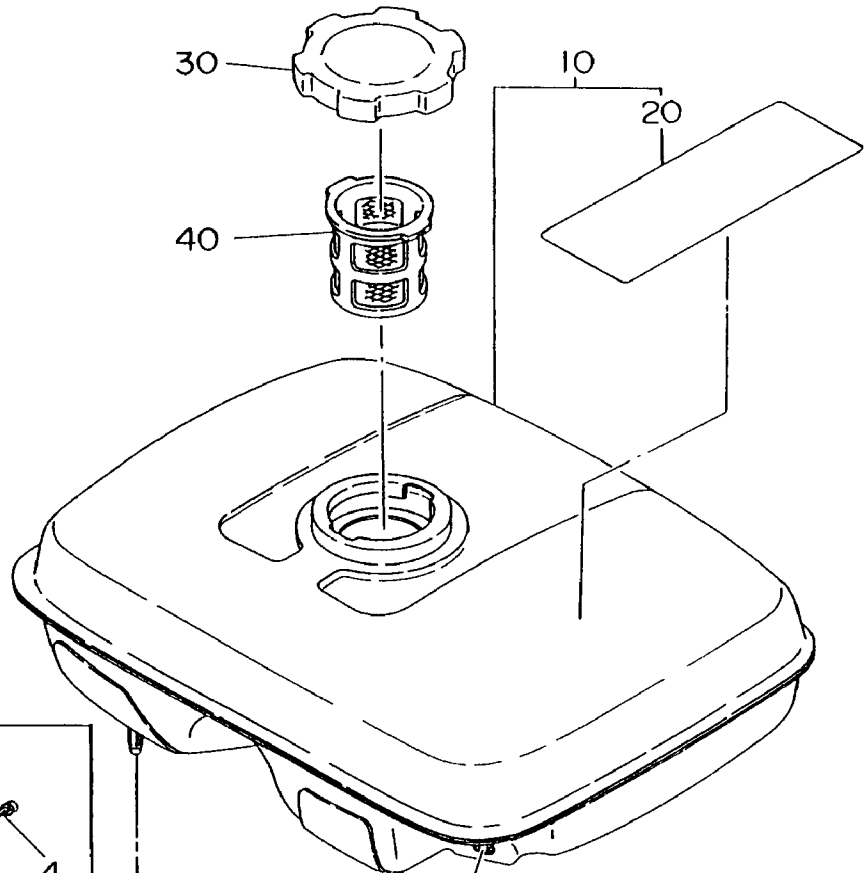
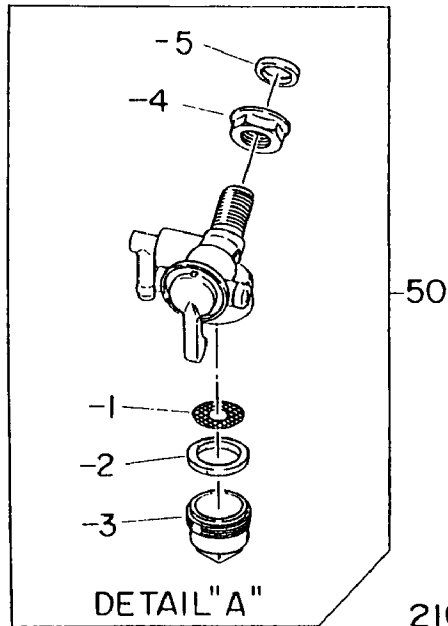
FIG. 5 0 0





# FUEL, LUBRICANT GROUP

## FIG. 600



FUEL, LUBRICANT GROUP

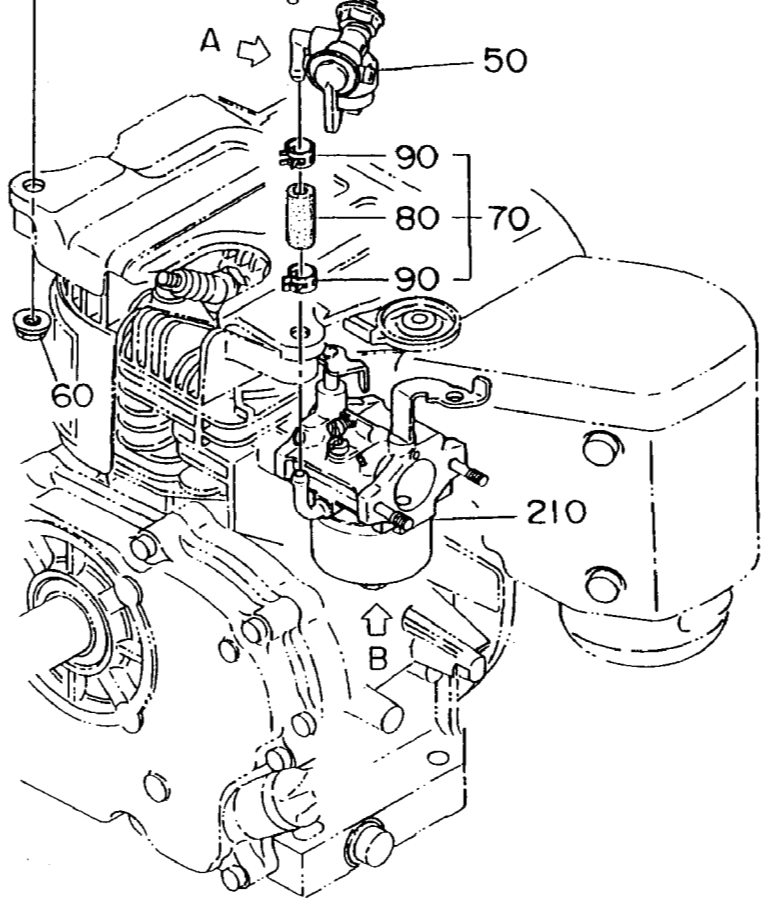
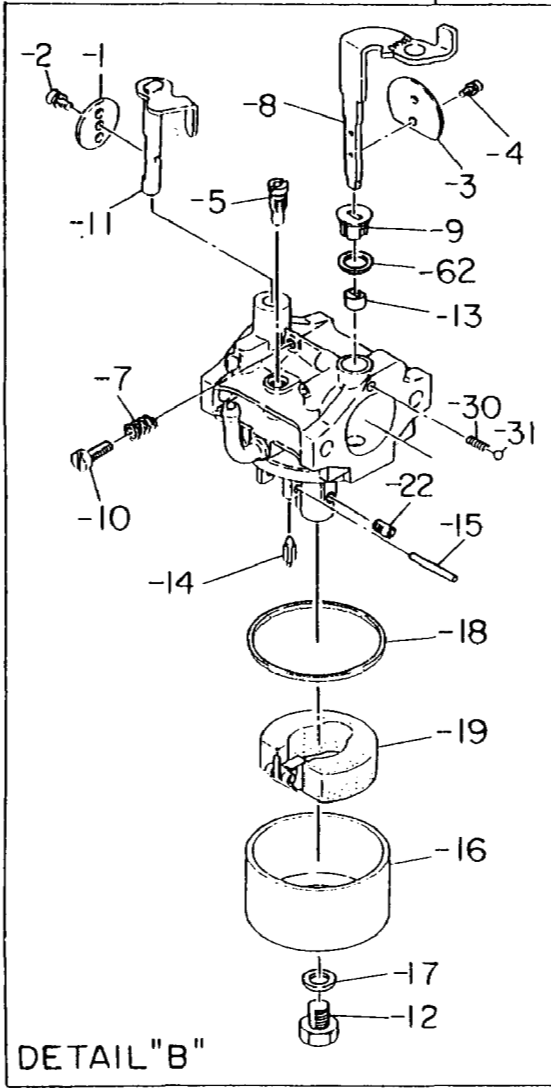
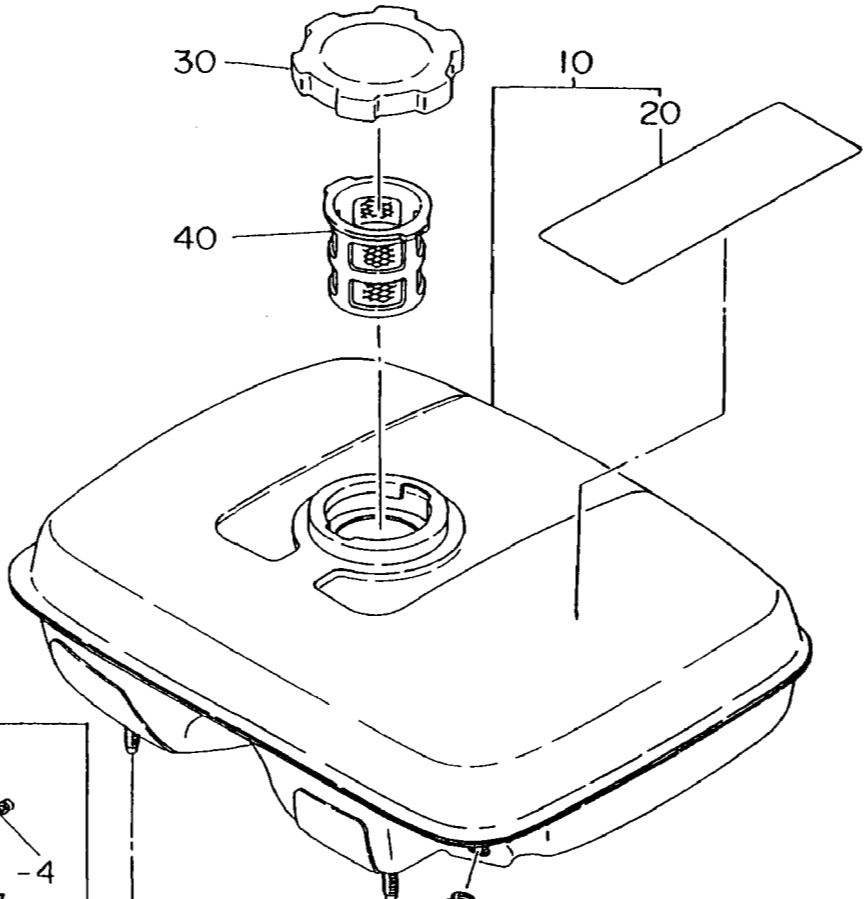
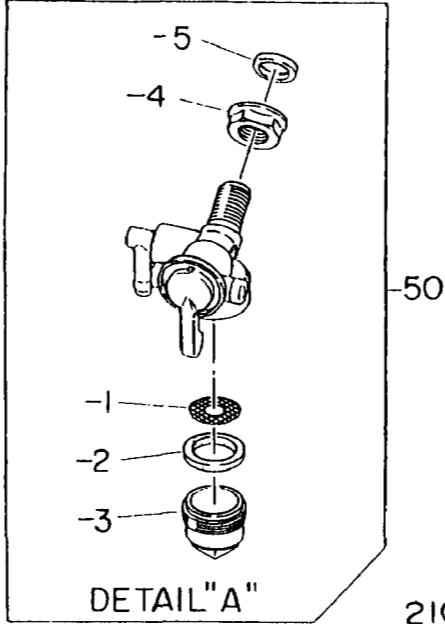
REF.	PART NUMBER	PART NAME	QTY	REMARKS	CODE NO. FROM-TO	INTERCHANGEABLE PART NUMBER	UNIT PRICE	FIG.
10	226-60152-11	FUEL TANK CP	1		-			600
21	073-20039-00	LABEL (WARNING)	1		-			600
30	043-04300-15	FUEL TANK CAP CP	1		-			600
40	064-13600-10	FUEL FILTER	1		-			600
50	064-20064-00	FUEL STRAINER AY	1		-			600
- 1	064-20064-20	FILTER	1		-			600
- 2	064-20064-10	PACKING	1		-			600
- 3	064-20042-10	CUP, STRAINER	1		-			600
- 4	064-20064-30	NUT	1		-			600
- 5	064-20064-40	PACKING	1		-			600
60	002-38060-00	FLANGE NUT	2		-			600
70	226-62616-01	FUEL PIPE CP	1		-			600
80	085-10600-00	RUBBER PIPE	1	6X12XM	-			600
90	056-11100-20	HOSE CLAMP	2		-			600
210	226-62341-00	CARBURETOR AY	1		-			600
- 1	214-62535-08	THROTTLE VALVE	1		-			600
- 2	209-62351-08	SCREW	1		-			600
- 3	226-62525-08	CHOKE VALVE	1		-			600
- 4	237-62451-08	SCREW	2		-			600
- 5	207-62420-08	PILOT JET	1		-			600
- 8	226-62520-18	SHAFT AY (CHOKE)	1		-			600
- 9	226-62551-08	RING	1		-			600
- 11	226-62532-08	SHAFT AY (THROTTLE)	1		-			600
- 12	227-62451-08	BOLT	1		-			600
- 13	226-62550-08	RING	1		-			600
- 14	226-62502-08	NEEDLE VALVE AY-HOYO	1		-			600
- 15	214-62515-08	PIN	1		-			600
- 16	227-62558-08	FLOAT CHAMBER BODY	1		-			600
- 17	214-62450-08	PACKING	1		-			600
- 18	214-62540-08	CHAMBER PACKING	1		-			600
- 19	226-62506-08	FLOAT AY	1		-			600
- 22	226-62400-08	MAIN JET	1		-			600
- 24	226-62701-08	CLIP	1		-			600
- 30	209-62446-08	CHOKE SPRING	1		-			600
- 31	209-62353-08	STEEL BALL	1		-			600
- 32	106-62392-08	SEAL	1		-			600

93/09/30

EY150YD0030 EX. R/A-STD. .

# FUEL, LUBRICANT GROUP

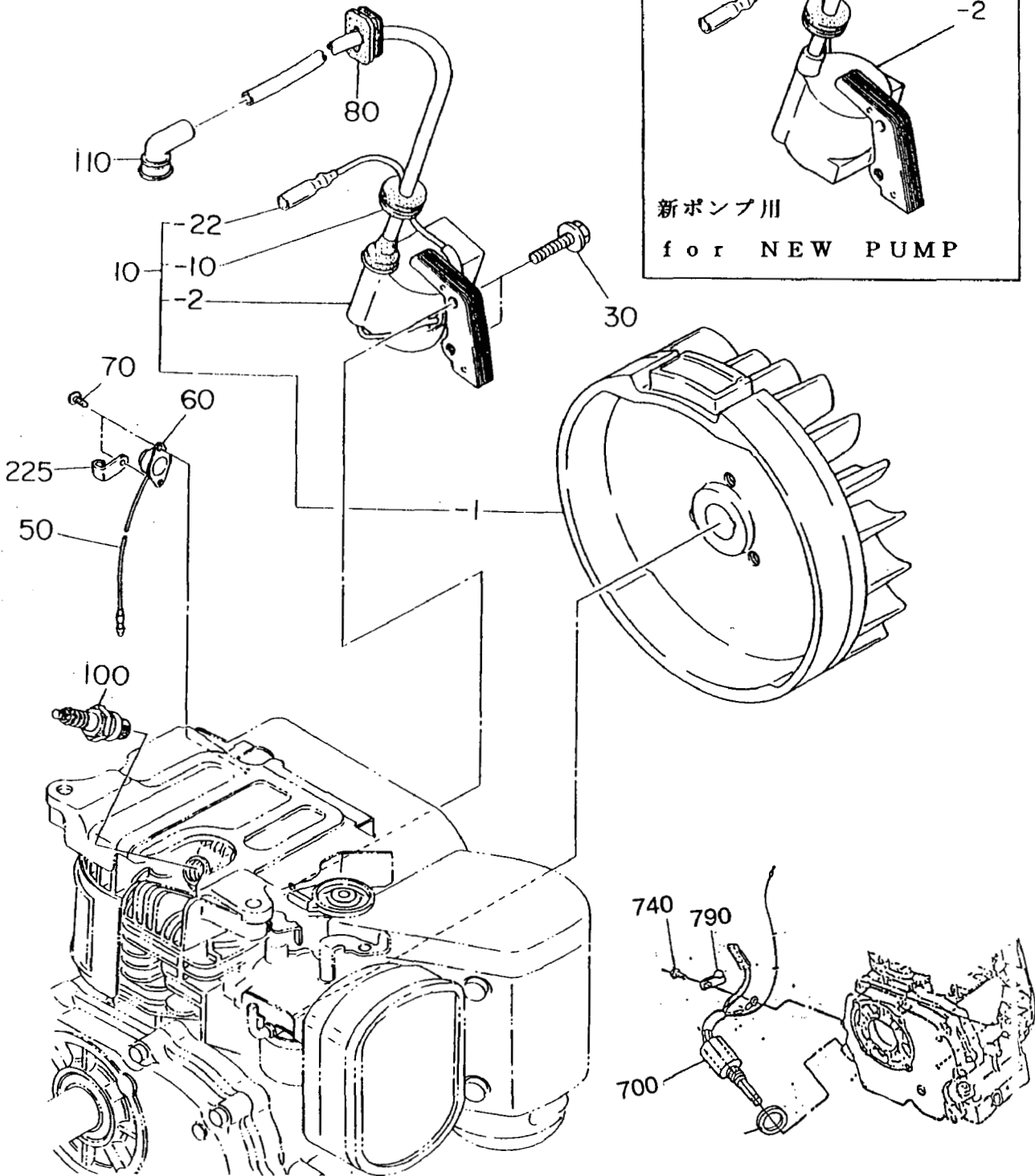
## FIG. 600





# ELECTRIC DEVICE GROUP

## FIG. 700







— NOTES —

— NOTES —

— NOTES —



**Robin America, Inc.**

940 Lively Blvd., Wood Dale, IL 60191 • Tel: (708) 350-8200 • Fax: (708) 350-8212