



# Model EY15-3

# PARTS CATALOG

Spec. No. EY153D00000

Spec. No. EY153D00210

Spec. No. EY153D00280

Spec. No. EY153D00290

Spec. No. EY153D00340

Spec. No. EY153D00350

Spec. No. EY153D10020

Spec. No. EY153D10030

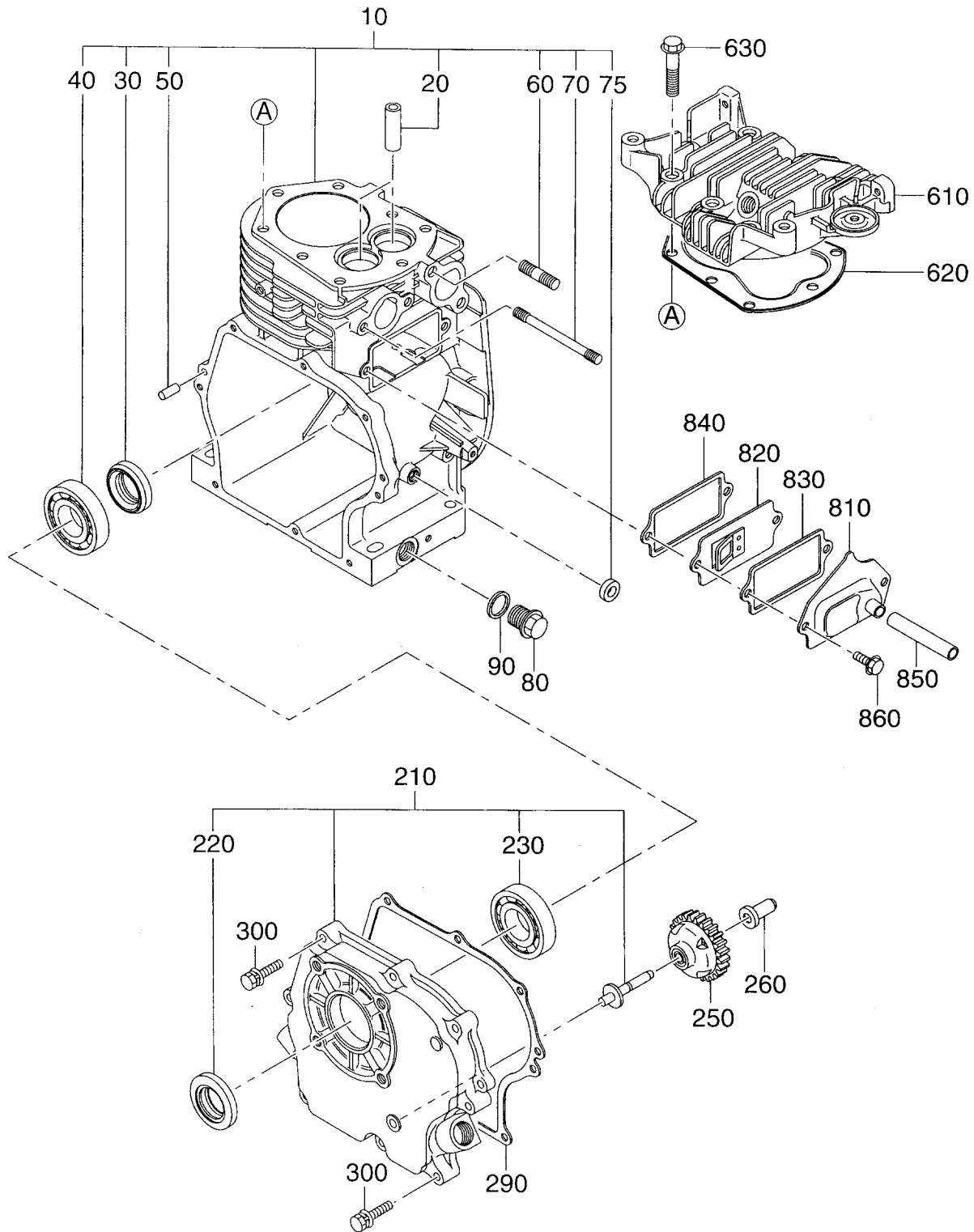
Spec. No. EY153D10040



# CONTENTS

	Fig.No.	page
1. CRANK CASE .....	100	2
2. CRANKSHAFT, PISTON .....	200	4
3. INTAKE EXHAUST .....	300	6
4. GOVERNOR, OPERATION .....	400	8
5. COOLING, STARTING .....	500	10
6. FUEL LUBRICANT .....	600	14
Fuel Strainer .....	630	
Carbretor .....	640	
7. ELECTRIC DEVICE .....	700	18
Oil level Sensor .....	770	
9. ACCESSORIES LABEL .....	900	22

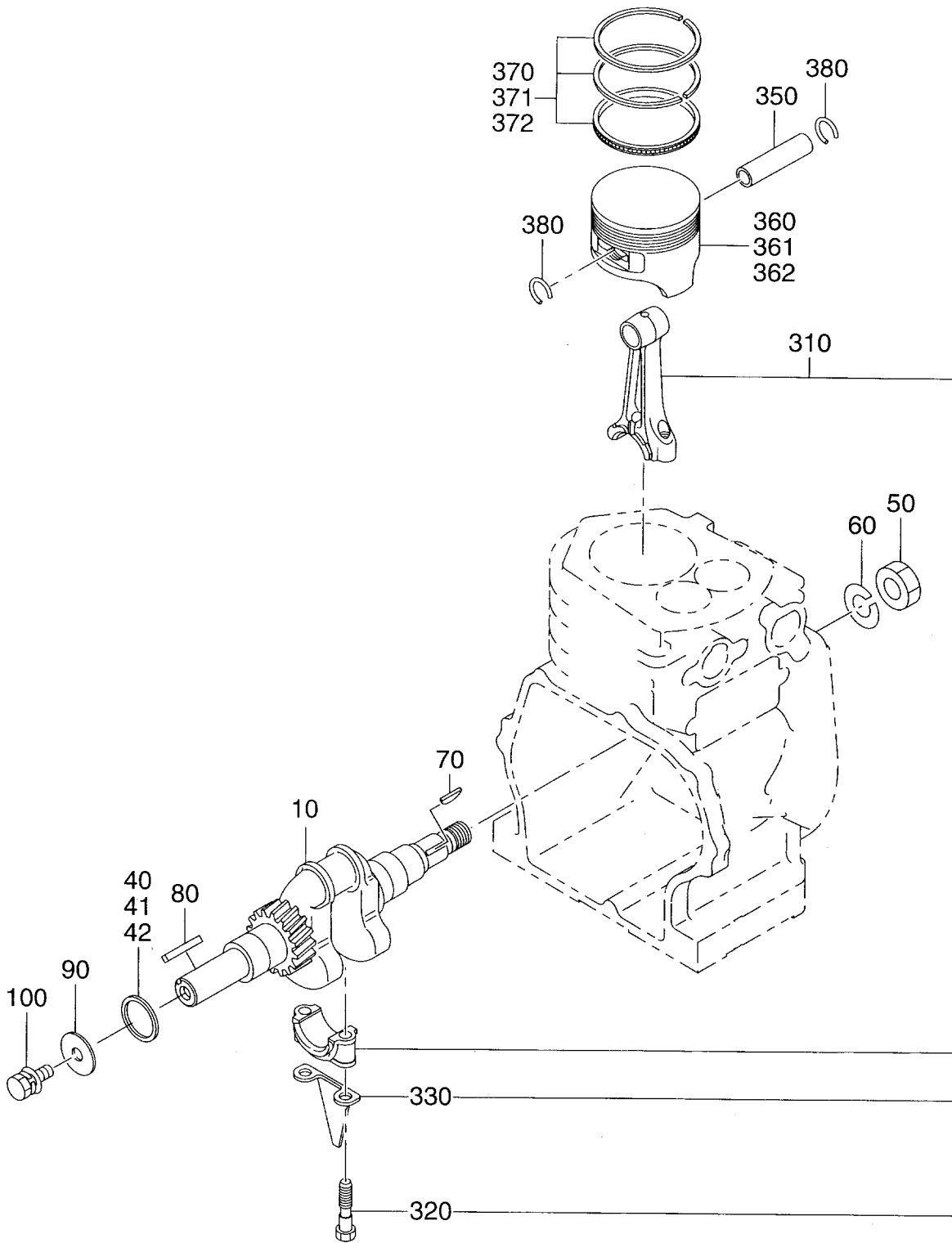
FIG. 100



1 CRANK CASE

REF. NO.	PART NUMBER		PART NAME		CODE NO. FROM - TO	QTY	REMARKS	INTERCHANGEABLE PART NUMBER	FIG. NO.
		PART NUMBER		SPEC. NO.					
10	281-10101-01		CRANK CASE CP		-	1			100
20	227-14202-03		VALVE GUIDE		-	2			100
30	044-02501-50		OIL SEAL		-	1	25X38X7		100
40	X60-02500-10		BALL BEARING		-	1			100
50	031-00600-20		DOWEL PIN		-	2			100
60	010-50802-50		STUD		-	2			100
70	010-50601-20		STUD		-	2			100
75	044-00800-10		OIL SEAL		-	1	VC8144		100
80	040-11400-30		PLUG		-	2			100
90	021-11400-20		GASKET		-	2			100
210	282-11001-01		MAIN BEARING COVER C		-	1			100
	282-11002-01		EY153D00280		-	1			100
			EY153D00290		-	1			100
			EY153D00340		-	1			100
			EY153D00350		-	1			100
220	044-02501-60		OIL SEAL		-	1	25X41. 24X7		100
230	X60-02500-10		BALL BEARING		-	1			100
250	227-45003-01		GOVERNOR GEAR CP		-	1			100
260	205-41901-03		GOVERNOR SLEEVE		-	1			100
290	227-16001-03		GASKET (BEARING COV)		-	1			100
300	013-00600-40		BOLT AND WASHER AY		-	8			100
610	226-13001-13		CYLINDER HEAD		-	1			100
620	281-15001-H1		GASKET CP (HEAD)		-	1			100
630	011-00800-10		FLANGE BOLT		-	8			100
810	227-14301-01		TAPPET COVER CP		-	1			100
820	227-14401-01		BREATHER PLATE CP		-	1			100
830	282-16006-03		GASKET (TAPPET COVER)		-	1			100
840	282-16007-03		GASKET (BREATHER PLA)		-	1			100
850	085-10800-00		RUBBER PIPE		-	1	8X11XM		100
860	011-00600-20		FLANGE BOLT		-	2			100

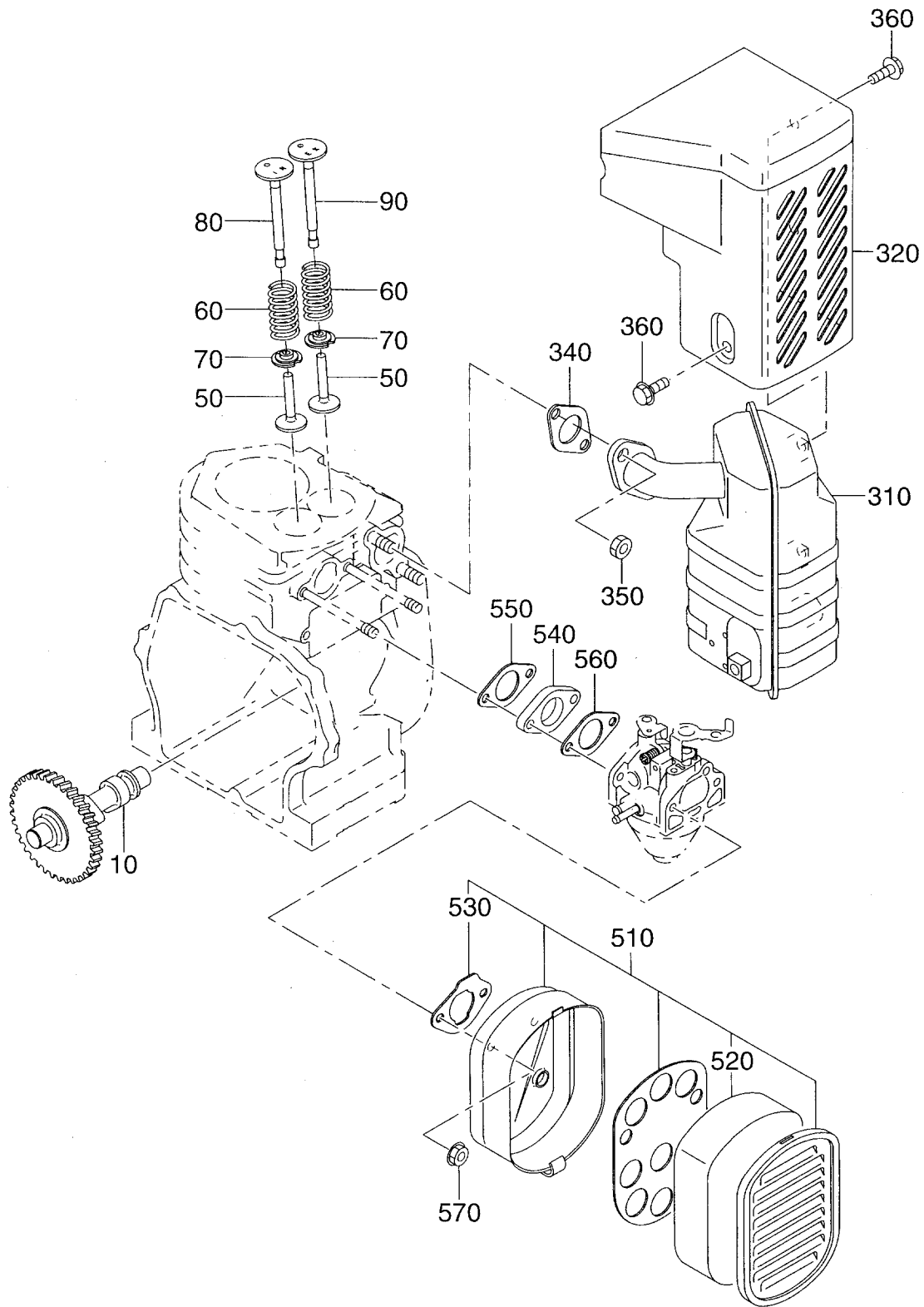
FIG. 200



2 CRANKSHAFT, PISTON

REF. NO.	PART NUMBER		PART NAME		CODE NO. FROM - TO	QTY	REMARKS	INTERCHANGEABLE PART NUMBER	FIG. NO.
		PART NUMBER		SPEC. NO.					
10	281-20201-01		CRANKSHAFT CP		-	1	18DX48L		200
	281-20301-01		EY153D10020		-	1	M14X1.5		200
			EY153D10030		-	1			200
			EY153D10040		-	1			200
	281-20401-01		EY153D00290		-	1	19.05DX58.34L		200
	281-21001-01		EY153D00350		-	1	3/4-16UNF		200
	281-21002-01		EY153D00280		-	1	5/8-18UNF		200
	281-21201-01		EY153D00340		-	1	19.8D, 1/5.33TAPER		200
40	023-02501-10		SPACER		-	1	T=0.6		200
41	023-02501-20		SPACER		-	1	T=0.8		200
42	023-02501-30		SPACER		-	1	T=1.0		200
50	002-18140-00		NUT		-	1			200
60	003-20140-00		SPRING WASHER		-	1			200
70	032-30300-10		WOODRUFF KEY		-	1			200
80	005-30053-01		KEY		-	1		032-00500-10	200
	206-26001-13		EY153D00290		-	1			200
90	020-00800-50		WASHER		-	1			200
100	001-13081-60		BOLT & WASHER AY		-	1			200
310	226-22501-10		CONNECTING ROD AY		-	1			200
320	226-23001-13		CONNECTING ROD BOLT		-	2			200
330	226-23101-03		OIL SCRAPER		-	1			200
350	214-23301-13		PISTON PIN		-	1			200
360	281-23401-03		PISTON		-	1	STD.		200
361	281-23402-03		PISTON		-	1	0.25 O.S.		200
362	281-23403-03		PISTON		-	1	0.50 O.S.		200
370	226-23511-07		PISTON RING SET		-	1	STD.		200
371	226-23512-07		PISTON RING SET		-	1	0.25 O.S.		200
372	226-23513-07		PISTON RING SET		-	1	0.50 O.S.		200
380	056-51400-10		CLIP		-	2			200

FIG. 300





3 INTAKE EXHAUST

REF. NO.	PART NUMBER		PART NAME		CODE NO. FROM - TO	QTY	REMARKS	INTERCHANGEABLE PART NUMBER	FIG. NO.
		PART NUMBER		SPEC. NO.					
10	226-31701-13		CAMSHAFT		-	1			300
50	226-33301-03		TAPPET		-	2			300
60	227-33601-03		VALVE SPRING		-	2			300
70	227-33701-03		SPRING RETAINER		-	2			300
80	281-33401-03		INTAKE VALVE		-	1			300
90	281-33501-03		EXHAUST VALVE		-	1			300
310	281-30101-H1		MUFFLER CP		-	1			300
320	281-34201-H1		MUFFLER COVER CP		-	1			300
340	281-35201-H1		GASKET CP (EXHAUST)		-	1			300
350	017-00800-30		NUT		-	2			300
360	011-00600-10		FLANGE BOLT		-	3			300
510	282-32601-H0		AIR CLEANER AY		-	1			300
520	282-36002-H3		CLEANER ELEMENT		-	1			300
530	282-36004-H3		GASKET (AIR CLEANER)		-	1			300
540	227-32901-13		INSULATOR		-	1			300
550	282-35901-03		GASKET (INSULATOR)		-	1			300
560	227-35904-03		GASKET 2 (INSULATOR)		-	1			300
570	002-38060-00		FLANGE NUT		-	2			300

FIG. 400

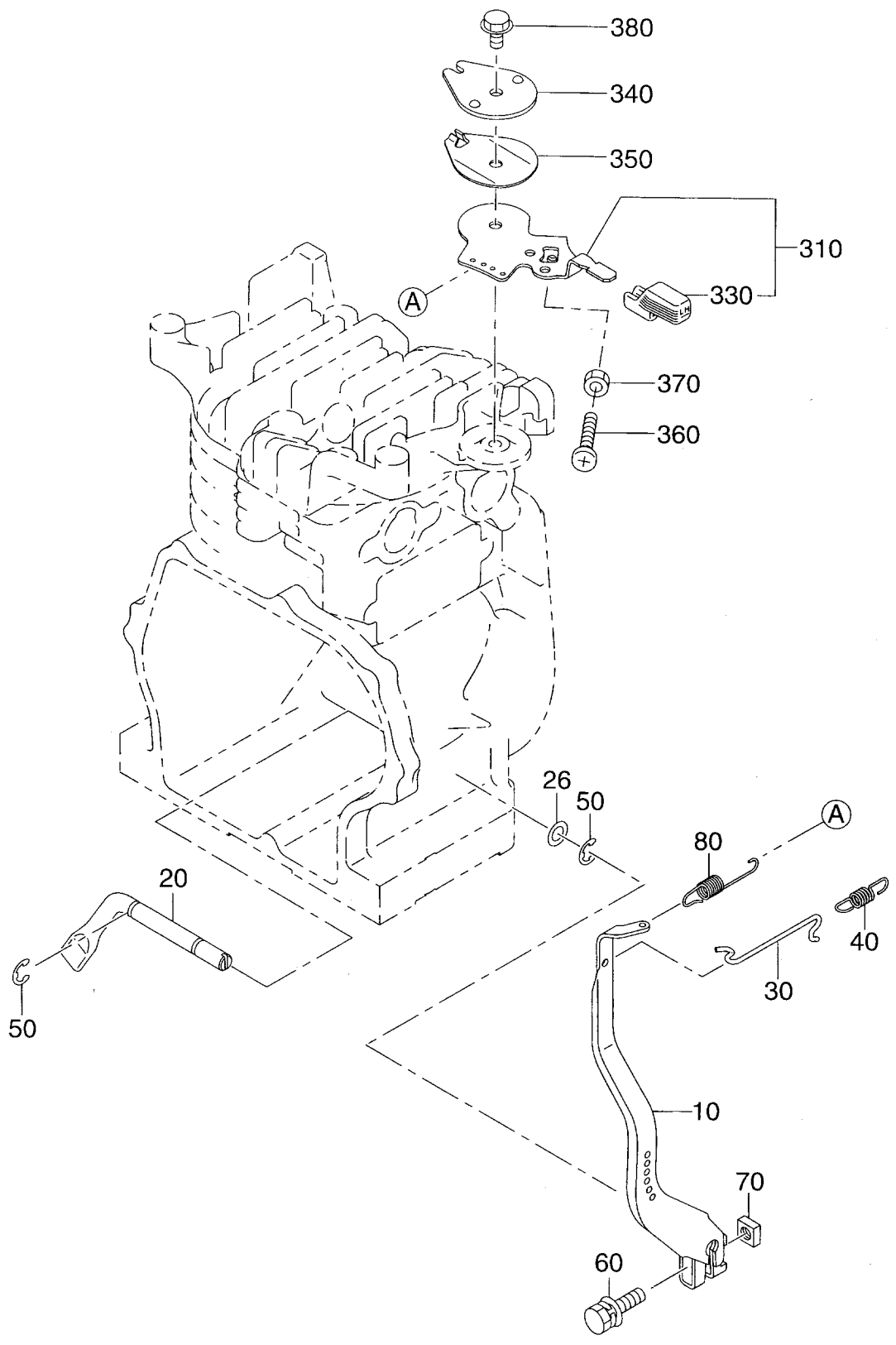
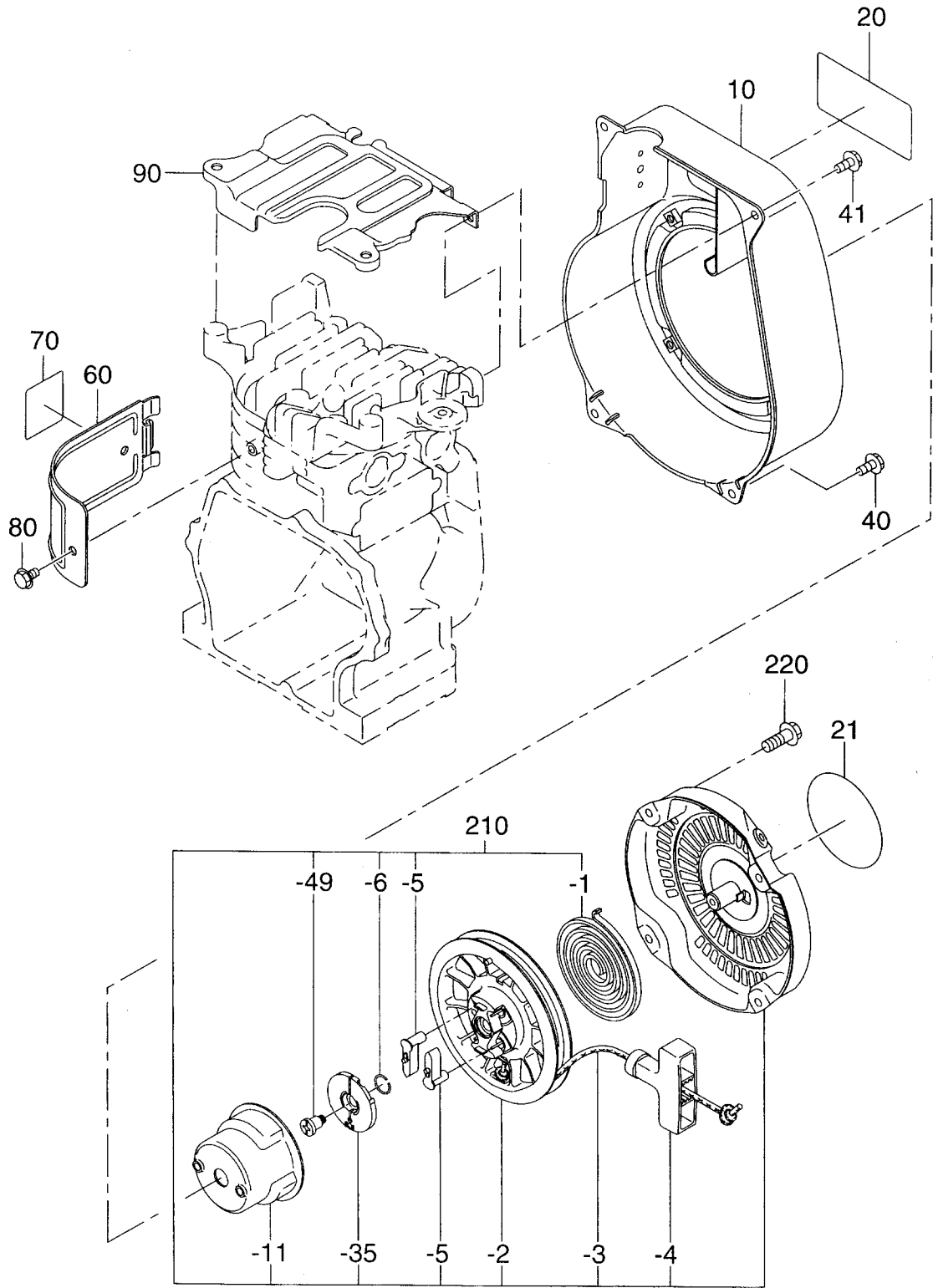




FIG. 500



5 COOLING, STARTING

REF. NO.	PART NUMBER		PART NAME		CODE NO. FROM - TO	QTY	REMARKS	INTERCHANGEABLE PART NUMBER	FIG. NO.
		PART NUMBER		SPEC. NO.					
10	281-51260-01		BLOWER HOUSING CP		-	1			500
	281-51360-01		EY153D10040		-	1			500
20	281-95101-03		LABEL (MODEL)		-	1			500
21	073-20051-40		LABEL (TRADE MARK)		-	1			500
40	011-00600-20		FLANGE BOLT		-	2			500
41	011-00600-30		FLANGE BOLT		-	2			500
60	226-52601-03		CYLINDER BAFFLE		-	1			500
70	281-91802-H3		LABEL (ENGINE NAME)		-	1			500
	281-91860-H3		EY153D00210		-	1			500
			EY153D00280		-	1			500
			EY153D00290		-	1			500
			EY153D00340		-	1			500
			EY153D00350		-	1			500
			EY153D10020		-	1			500
			EY153D10030		-	1			500
			EY153D10040		-	1			500
80	011-00600-10		FLANGE BOLT		-	1			500
90	226-52701-03		HEAD COVER		-	1			500
210	281-50211-00		RECOIL STARTER AY		-	1			500
	281-50311-00		EY153D10020		-	1	un illustrated		500
			EY153D10030		-	1			500
			EY153D10040		-	1			500
- 1	270-50115-08		SPIRAL SPRING		-	1			500
	226-50716-08		EY153D10020		-	1			500
			EY153D10030		-	1			500
			EY153D10040		-	1			500
- 2	281-50120-08		REEL		-	1			500
	281-50320-08		EY153D10020		-	1			500
			EY153D10030		-	1			500
			EY153D10040		-	1			500
- 3	281-50111-08		STARTER ROPE		-	1			500
	281-50310-08		EY153D10020		-	1			500
			EY153D10030		-	1			500
			EY153D10040		-	1			500
- 4	261-50100-08		STARTER KNOB		-	1			500
	281-50300-08		EY153D10020		-	1			500

5 COOLING, STARTING

REF. NO.	PART NUMBER		PART NAME		CODE NO. FROM - TO	QTY	REMARKS	INTERCHANGEABLE PART NUMBER	FIG. NO.
		PART NUMBER		SPEC. NO.					
- 4		281-50300-08		EY153D10030	-	1			500
				EY153D10040	-	1			500
- 5		270-50125-08		RATCHET	-	2			500
		281-50325-08		EY153D10020	-	2			500
				EY153D10030	-	2			500
				EY153D10040	-	2			500
- 6		227-50131-08		FRICION SPRING	-	1			500
		281-50330-08		EY153D10020	-	1			500
				EY153D10030	-	1			500
				EY153D10040	-	1			500
- 8		*****		FRICION PLATE			un illustrated		
		281-50340-08		EY153D10020	-	1			500
				EY153D10030	-	1			500
				EY153D10040	-	1			500
- 11		268-50145-08		STARTER PULLEY	-	1			500
		281-50345-08		EY153D10020	-	1			500
				EY153D10030	-	1			500
				EY153D10040	-	1			500
- 35		270-50261-08		RATCHET GUIDE	-	1			500
- 49		227-50152-08		SET SCREW	-	1			500
		281-50351-08		EY153D10020	-	1			500
				EY153D10030	-	1			500
				EY153D10040	-	1			500
220		011-00600-10		FLANGE BOLT	-	4			500
		011-00600-20		EY153D10020	-	4			500
				EY153D10030	-	4			500
				EY153D10040	-	4			500



FIG. 600

FIG. 630

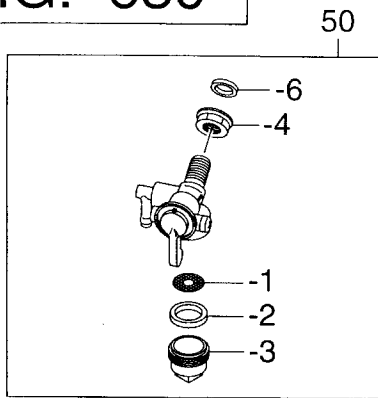
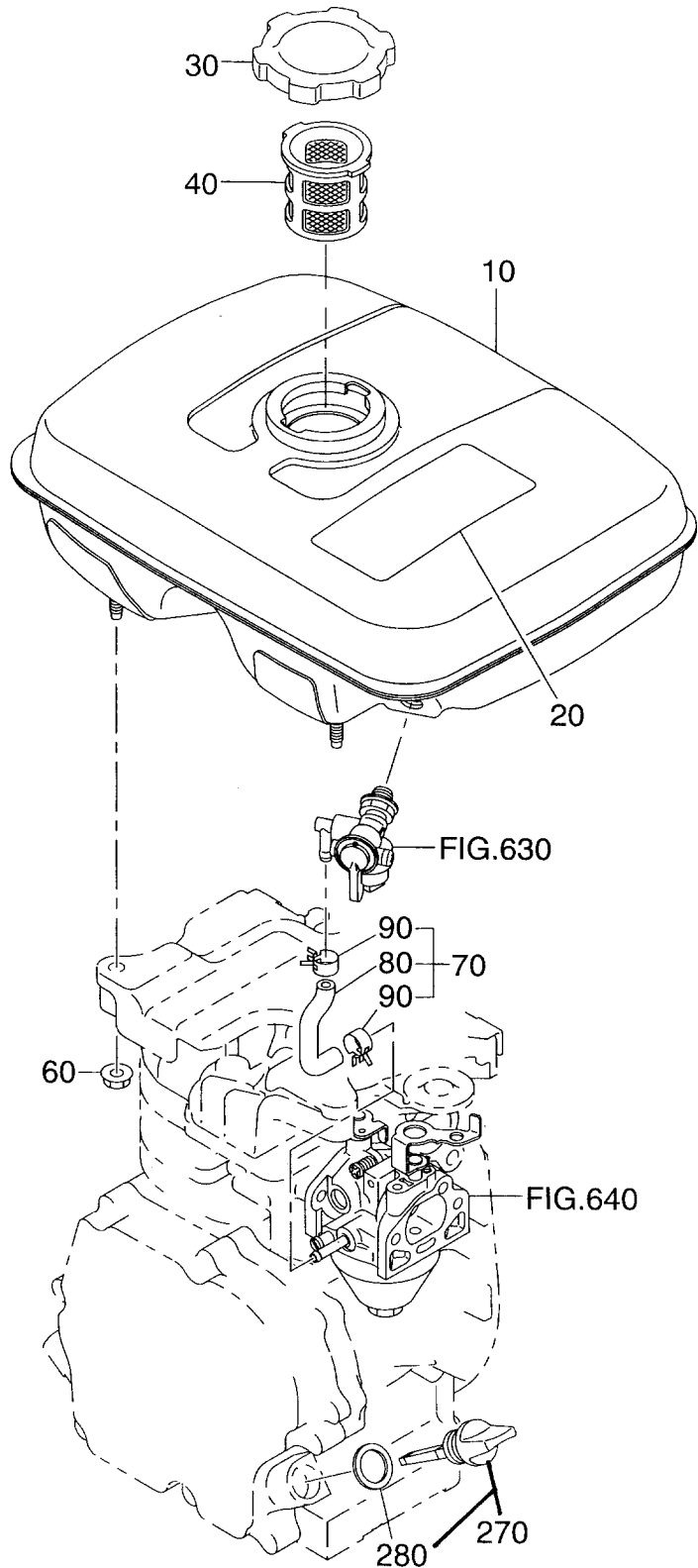
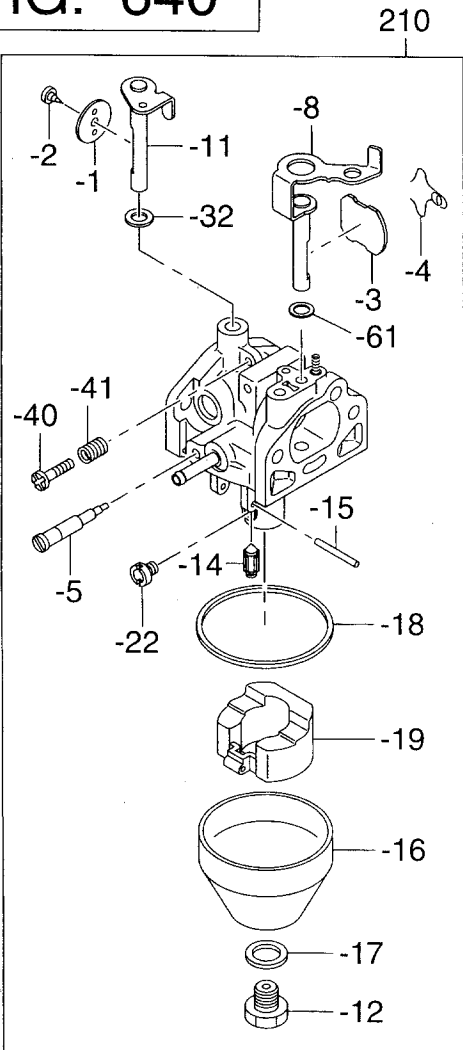


FIG. 640





## 6 FUEL LUBRICANT

REF. NO.	PART NUMBER		PART NAME		CODE NO. FROM - TO	QTY	REMARKS	INTERCHANGEABLE PART NUMBER	FIG. NO.
		PART NUMBER		SPEC. NO.					
10	281-60101-01		FUEL TANK CP		-	1			600
	281-60301-01		EY153D10020		-	1			600
			EY153D10030		-	1			600
			EY153D10040		-	1			600
20	X73-20047-20		LABEL (CAUTION)		-	1			600
	073-20044-50		EY153D00210		-	1			600
			EY153D00280		-	1			600
			EY153D00290		-	1			600
			EY153D00340		-	1			600
			EY153D00350		-	1			600
			EY153D10020		-	1			600
			EY153D10030		-	1			600
			EY153D10040		-	1			600
30	043-04301-00		FUEL TANK CAP CP		-	1			600
40	064-13600-10		FUEL FILTER		-	1			600
50	064-20064-00		FUEL STRAINER AY		-	1			630
- 1	064-20064-20		FILTER		-	1			630
- 2	064-20064-10		PACKING		-	1			630
- 3	064-20042-10		CUP, STRAINER		-	1			630
- 4	064-20064-30		NUT		-	1			630
- 6	064-20064-40		PACKING		-	1			630
60	002-38060-00		FLANGE NUT		-	2			600
70	281-62601-H1		FUEL PIPE CP		-	1			600
80	281-62601-H3		RUBBER PIPE		-	1			600
90	X56-11100-20		HOSE CLAMP		-	2			600
210	281-62301-00		CARBURETOR AY		-	1			640
- 1	226-62538-08		THROTTLE VALVE		-	1			640
- 2	215-62351-08		SCREW, VALVE SET		-	1			640
- 3	226-62527-08		CHOKE VALVE		-	1			640
- 4	226-62581-08		CLIP, VALVE SET		-	1			640
- 5	226-62435-18		NEEDLE CP (IDLE ADJ.)		-	1			640
- 8	226-62576-08		SHAFT AY (CHOKE)		-	1			640
- 11	226-62537-08		SHAFT AY (THROTTLE)		-	1			640
- 12	226-62451-08		PLUG, CHAMBER SET		-	1			640
- 14	226-62501-08		VALVE, FLOAT		-	1			640
- 15	226-62515-08		PIN, FLOAT		-	1			640





FIG. 700

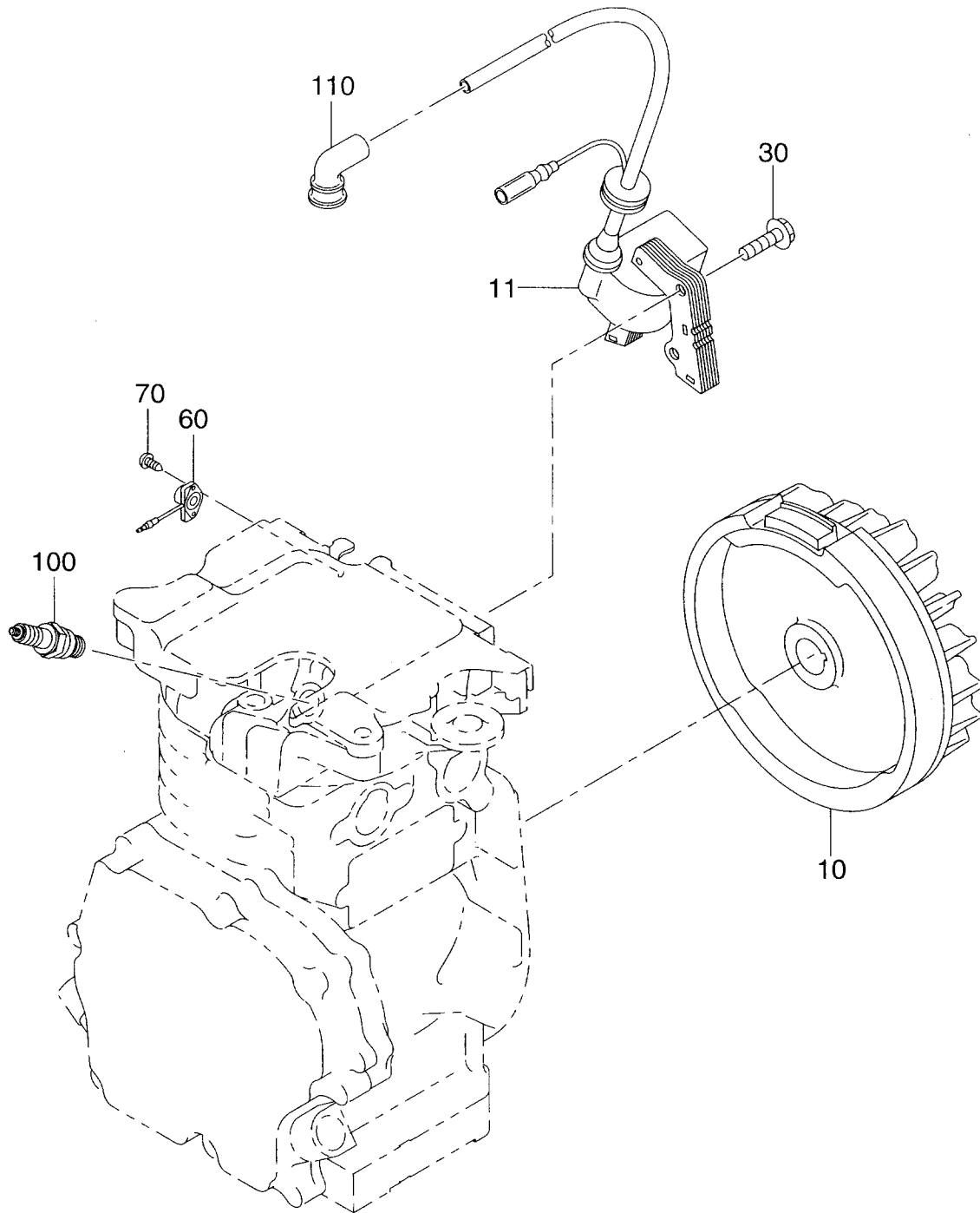
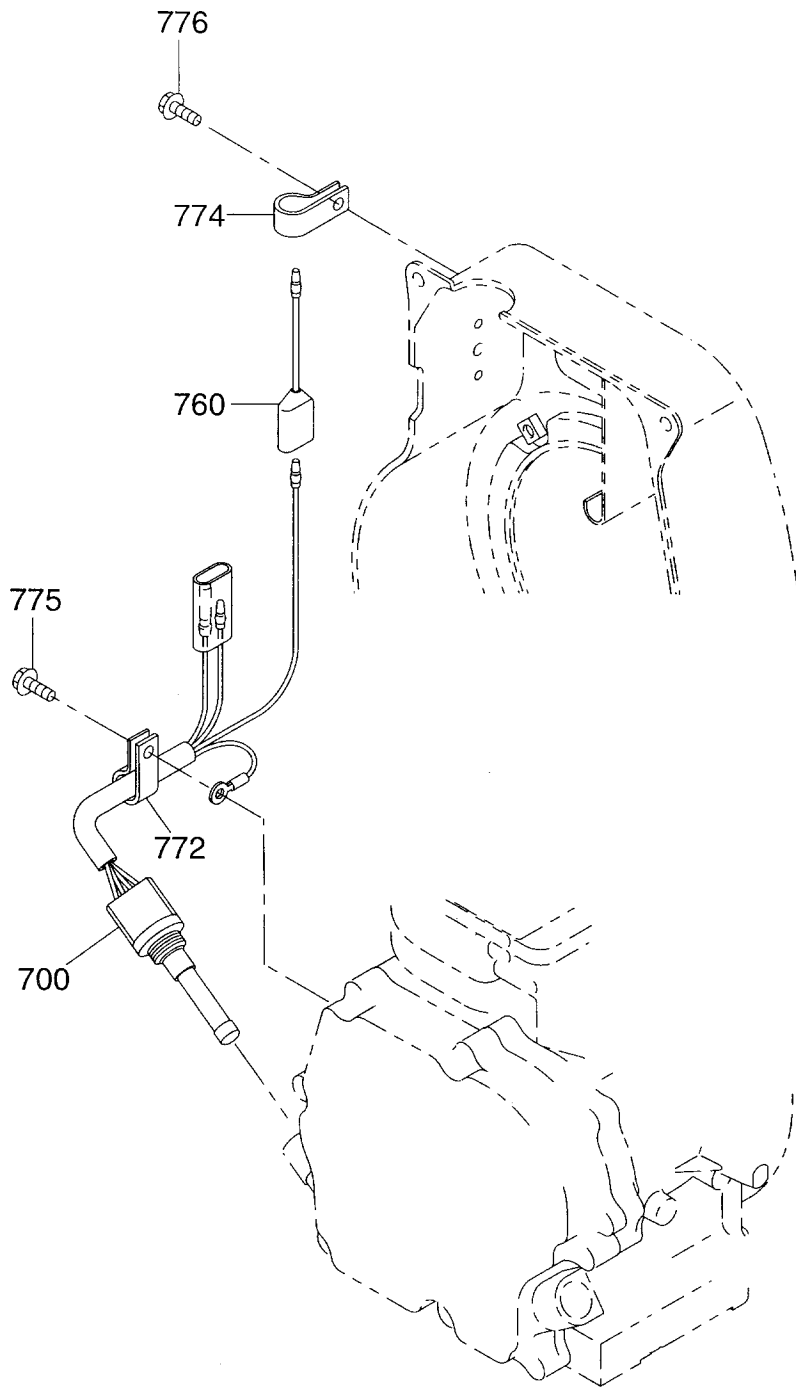


FIG. 770

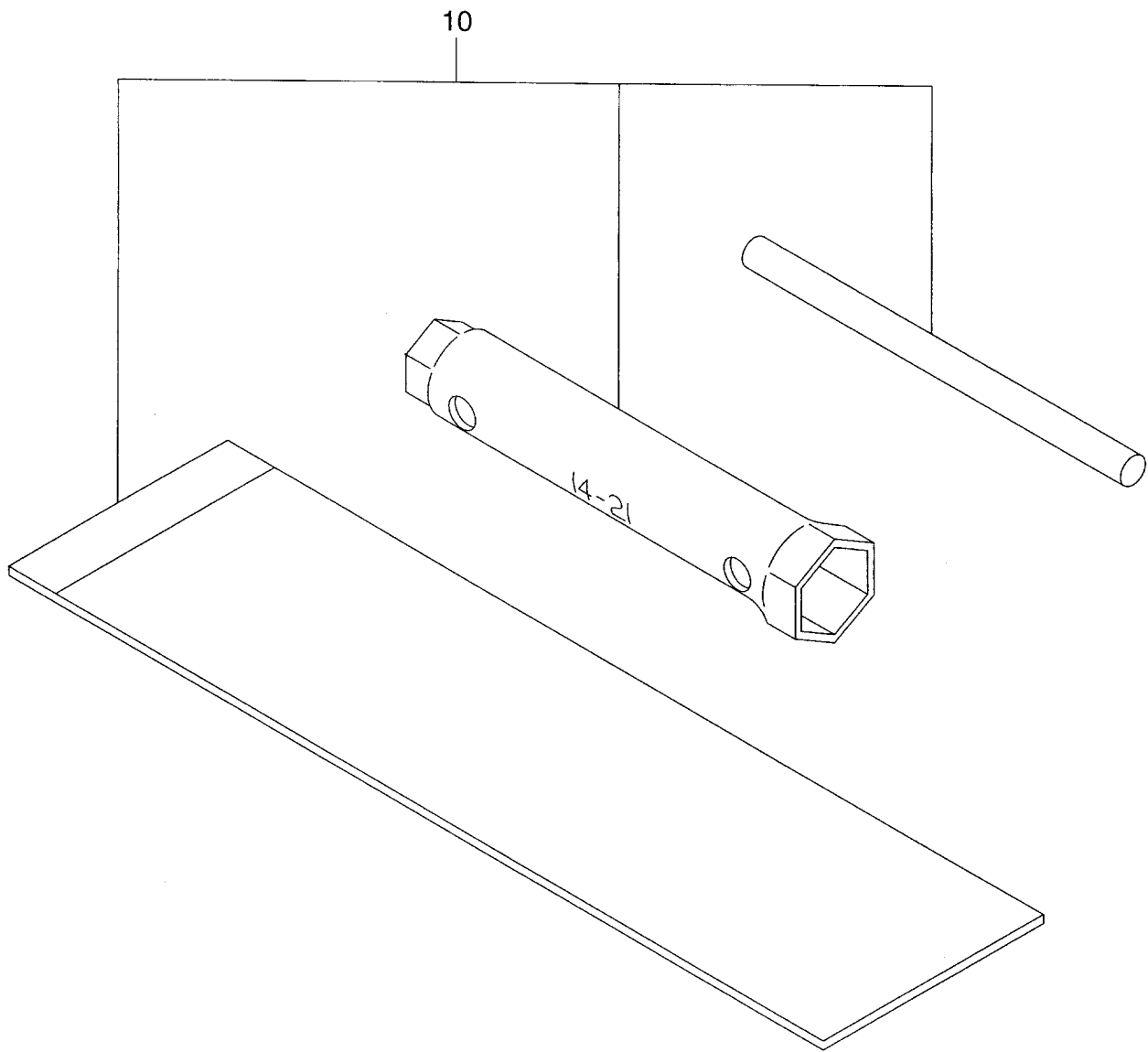


7 ELECTRIC DEVICE

REF. NO.	PART NUMBER		PART NAME		CODE NO. FROM - TO	QTY	REMARKS	INTERCHANGEABLE PART NUMBER	FIG. NO.
		PART NUMBER		SPEC. NO.					
10	281-79201-01		FLYWHEEL CP		-	1			700
11	281-79401-01		IGNITION COIL CP		-	1			700
30	011-00601-21		FLANGE BOLT		-	2			700
60	X66-00003-61		SWITCH AY		-	1			700
70	015-00400-90		TAPPING SCREW		-	2			700
100	065-01400-31		SPARK PLUG		-	1	NGK B-6HS		700
	L86C		SPARK PLUG		-	1			700
	RL86C		EY153D10030		-	1			700
			EY153D10040		-	1			700
	065-01401-50		EY153D10030		-	1	BR6HS		700
			EY153D10040		-	1			700
110	065-50000-51		SPARK PLUG CAP		-	1			700
700	*****		OIL SENSOR CP 11						
	KS3-11020-01		EY153D10040		-	1			770
760	*****		WIRE 22 CP						
	214-73122-01		EY153D10040		-	1			770
772	*****		CLAMP CP						
	214-79003-01		EY153D10040		-	1			770
774	*****		CLAMP CP						
	206-75501-01		EY153D10040		-	1			770
775	*****		BOLT & WASHER AY						
	001-10081-60		EY153D10040		-	1			770
776	*****		FLANGE BOLT						
	011-00600-10		EY153D10040		-	1			770



FIG. 900





9 ACCESSORIES LABEL

REF. NO.	PART NUMBER		PART NAME		CODE NO. FROM - TO	QTY	REMARKS	INTERCHANGEABLE PART NUMBER	FIG. NO.
		PART NUMBER		SPEC. NO.					
10		227-90301-10		ACCESSORY TOOL KIT	-	1			900

