

Introduction

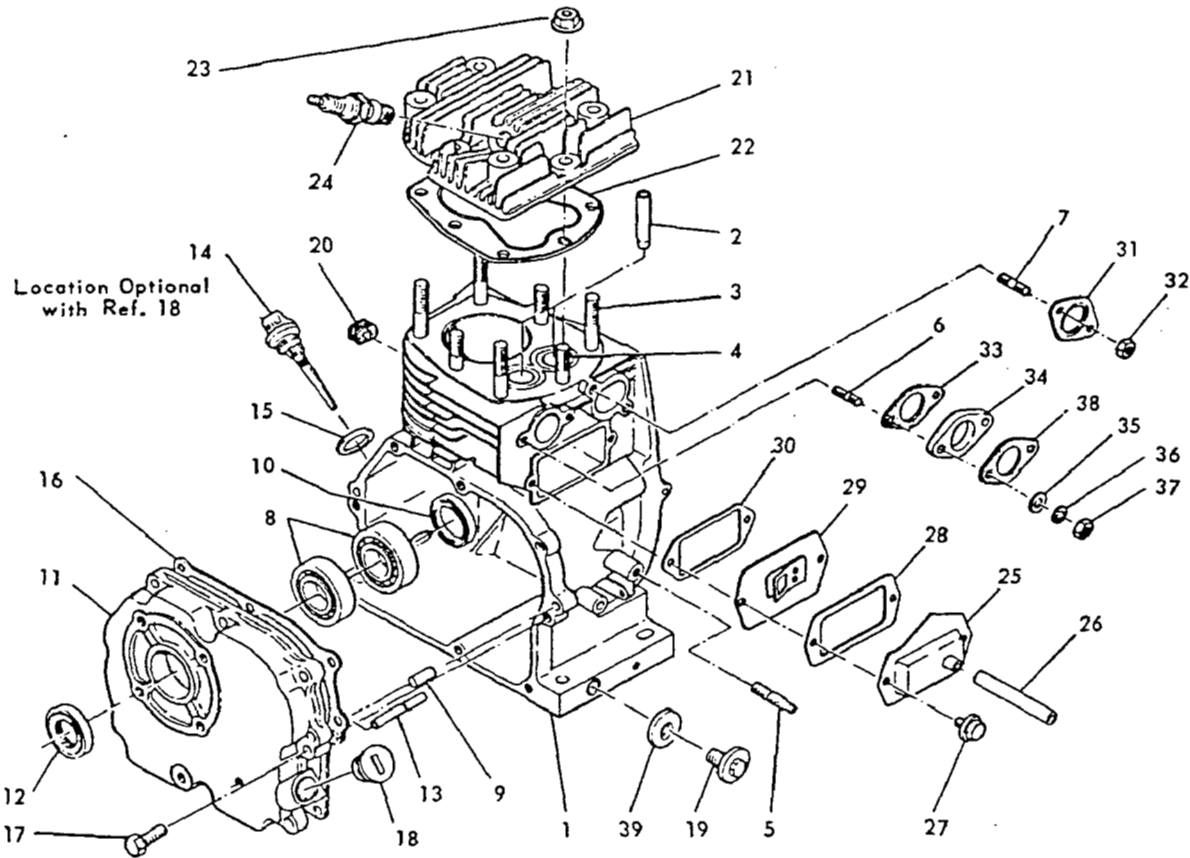
This catalog is designed to identify **Wisconsin Robin** parts.

When ordering parts, it is always advisable to list the engine model, specification number and serial number. With this information, we can check your order for any incorrect part numbers. Use your Service Parts List to ensure proper part number and nomenclature identification.

TELEDYNE TOTAL POWER reserves the right to modify, alter and improve engines and parts. Part numbers and the structure of parts may change from those shown in this catalog.

Table of Contents

Crankcase and Cylinder Head	1
Crankshaft, Camshaft, Piston, Rod and Valve	2
Governor and Speed Control	3
Shrouding, Muffler and Starting Pulley	4
Fuel Tank	5
Magneto	5
Carburetor and Air Cleaner	6
Recoil Starter	7



NOTE: Items without a part number are not sold separately.

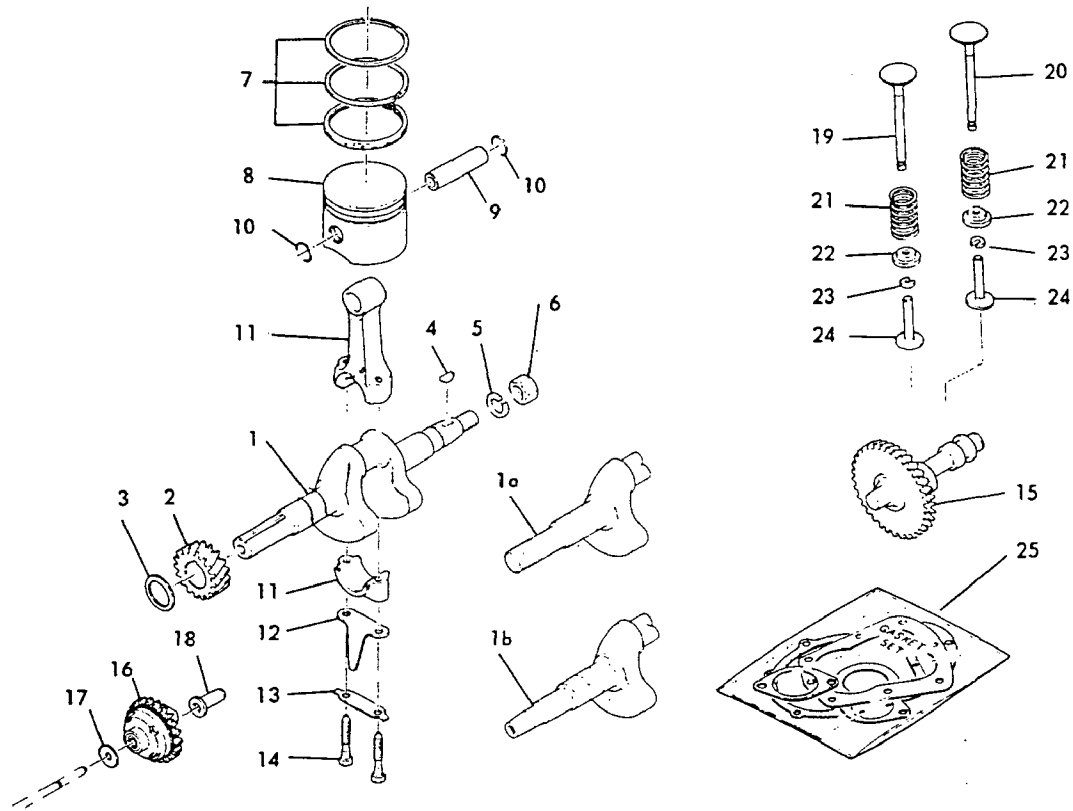
** Included in Engine Gasket Set, (Ref. 25, Page 2).

Ref. No.	Part Number	Description	No. Req.	Ref. No.	Part Number	Description	No. Req.
1		CYLINDER - CRANKCASE		21	EY 2141310103	CYLINDER HEAD	1
2	EY 2141420403	VALVE GUIDE	2	22	EY 2141500101	GASKET, cylinder head	1
3	EY 0105100050	STUD, cylinder head mounting	4	23	EY 0023810000	LOCKNUT, cylinder head - 10mm thd.	7
4	EY 0105100060	STUD, cylinder head mounting	3	24	EY 0650140031 (Optional)	SPARK PLUG with gasket	1
5	EY 0105080120	STUD, governor control mounting	1	25	EY 2141440101	INSPECTION COVER	1
6	EY 0013106351	STUD, carburetor mounting	2	26	EY 0851080110	BREATHER TUBE	1
7	EY 0013108251	STUD, muffler mounting	2	27	EY 0110060020	SCREW, inspection cover	2
8	EY 0600250010	BEARING, crankshaft main	2	28	**	GASKET, inspection cover	1
9	0440250010	DOWEL PIN, gear cover	2	29	EY 2141430111	BREATHER PLATE	1
10	EY 0440025070	OIL SEAL, crankcase	1	30	**	GASKET, breather plate	1
11	EY 2141100201	GEAR COVER assembly	1	31	EY 2143520111	GASKET, muffler mounting	1
12		Includes: Bearing (Ref. 8)		32	EY 0021908000	NUT, muffler mounting	2
13		EY 0440025070 OIL SEAL	1	33	**	GASKET, insulator plate	1
14	EY 2146360107	SHAFT, governor gear	1	34	EY 2063290103	INSULATING PLATE, carburetor	1
15		OIL DIP STICK	1	35	EY 0031006000	WASHER, carburetor mounting	2
16	**	Includes: EY 0213200010 GASKET	1	36	EY 0032006000	LOCKWASHER, carburetor mounting	2
17	EY 0016608250	GASKET, gear cover	1	37	EY 0022806000	NUT, carburetor mounting	2
18	EY 0420220010	SCREW, gear cover mounting	8	38	EY 2143590103	GASKET, carburetor flange	1
19	EY 0401140030	8mm x 25mm long, hexagon head.		39	EY 0211140020	GASKET, oil drain plug (order sep.)..	2
20	EY 0420220010	PLUG, oil filler	1				
21	EY 0401140030	OIL DRAIN PLUG, (less gasket)	2				
22	EY 2147500103	GROMMET, ignition wire	1				

When ordering parts: Always give Model, Specification and Serial Numbers of engine.

Fig. 2

CRANKSHAFT, CAMSHAFT, PISTON, ROD and VALVE Group For Model EY 18-3W



NOTE: Items without a part number are not sold separately.

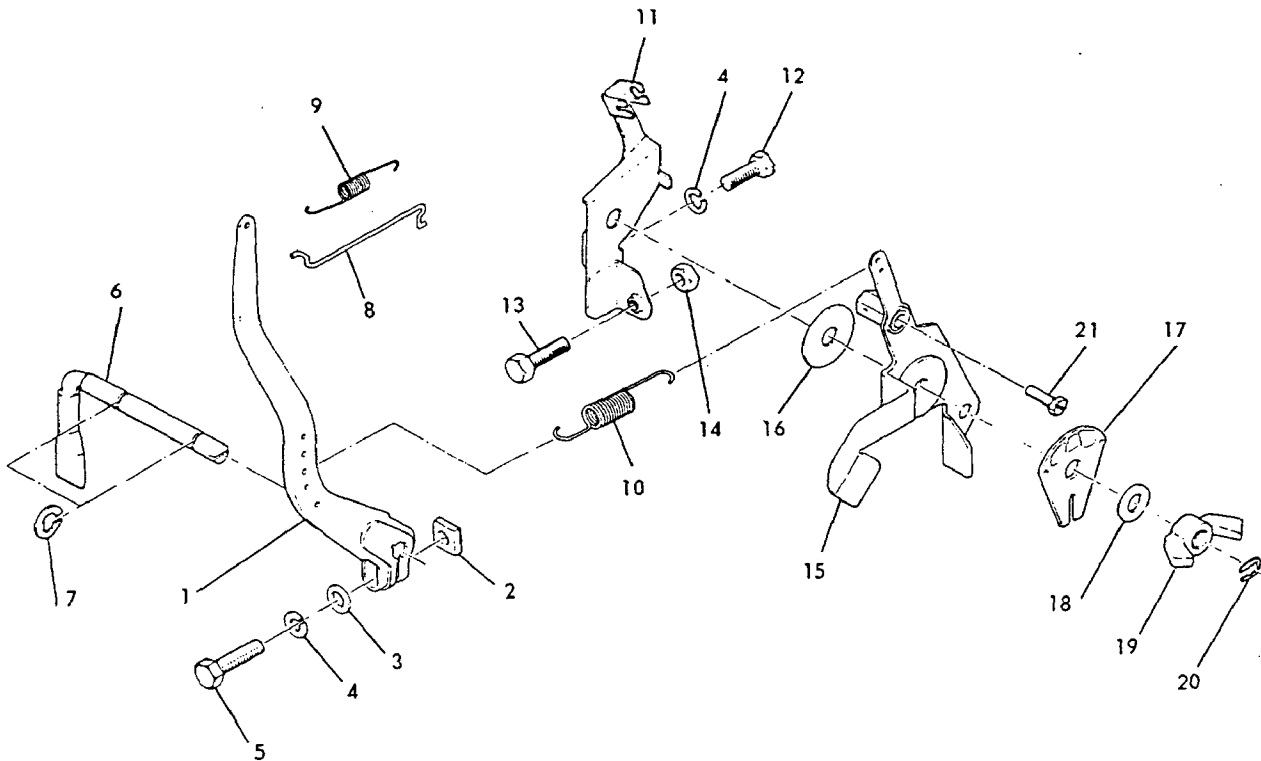
Ref. No.	Part Number	Description	No. Req.
●		CRANKSHAFT with gear (Ref. 2)	1
1	EY 2142050101	KEYWAY SHAFT (std.)	
1a	EY 2142060101	THREADED pump shaft extension	
1b	EY 2142070101	TAPERED generator shaft ext.	
2		GEAR, crankshaft	1
3	EY 0230250110	ADJUSTING SHIM 'A' .021-.026"	1
	EY 0230250120	.028 to .0343" 'B'	
	EY 0230250130	.036 to .0425" 'C'	
4	EY 0323030010	KEY, flywheel mounting	1
		3 mm wide x 6 mm high, Woodruff.	
5	EY 0032014000	LOCKWASHER, flywheel nut	1
		14 mm spring lock.	
6	EY 0021814000	NUT, flywheel mounting	1
		14 mm thread, hexagon steel.	
7	EY 2142350107	RING SET, standard size	1
		Consisting of:	
		COMPRESSION RING	1
		SCRAPER RING	1
		OIL RING	1
	EY 2142350207	.010" (0.25 mm) oversize Ring Set.	
	EY 2142350307	.020" (0.50 mm) oversize Ring Set.	
8	EY 2142342103	PISTON, standard size	1
		Beginning with Serial No. 732032.	
	EY 2142342203	.010" (0.25 mm) oversize Piston.	
	EY 2142342303	.020" (0.50 mm) oversize Piston.	
9	EY 2142330103	PIN, piston, beg. with S/N 732032	1
		EY 2062330103 previous to S/N 732032	
10	EY 0565140010	SNAP RING, piston pin	2

Ref. No.	Part Number	Description	No. Req.
11	EY 2142250110	CONNECTING ROD assembly	1
		Includes:	
12		EY 2142310113 OIL SCRAPER	1
13		EY 2142320103 LOCK PLATE	1
14		EY 2142300113 ROD BOLT	2
	EY 2142250200	.020" (0.25 mm) undersize con. rod.	-
15	EY 2143170133	CAMSHAFT, with compression release	1
16	EY 2144500101	GOVERNOR GEAR assembly	1
		Includes: Flyweights.	
17	EY 0230060010	SPACER, governor gear	1
18	EY 2054190103	GOVERNOR SLEEVE	1
19	EY 2143340103	INTAKE VALVE	1
20	EY 2143350103	EXHAUST VALVE	1
21	EY 2063360103	VALVE SPRING	2
22	EY 2063370113	RETAINER, valve spring	2
23	EY 2143380103	LOCK, valve spring retainer	2
24	EY 2143330103	VALVE TAPPET	2
25	EY 2149900217	ENGINE GASKET SET, Includes:	1
		GEAR COVER gasket	1
		CYLINDER HEAD gasket	1
		BREATHER PLATE gasket	1
		INSPECTION COVER	1
		INSULATOR PLATE	1
		MUFFLER FLANGE gasket	1
		CARBURETOR FLANGE gasket	1
		AIR CLEANER gasket	1

When ordering parts: Always give Model, Specification and Serial Numbers of engine.

GOVERNOR and SPEED CONTROL GROUP
For Model EY 18-3W

Fig. 3



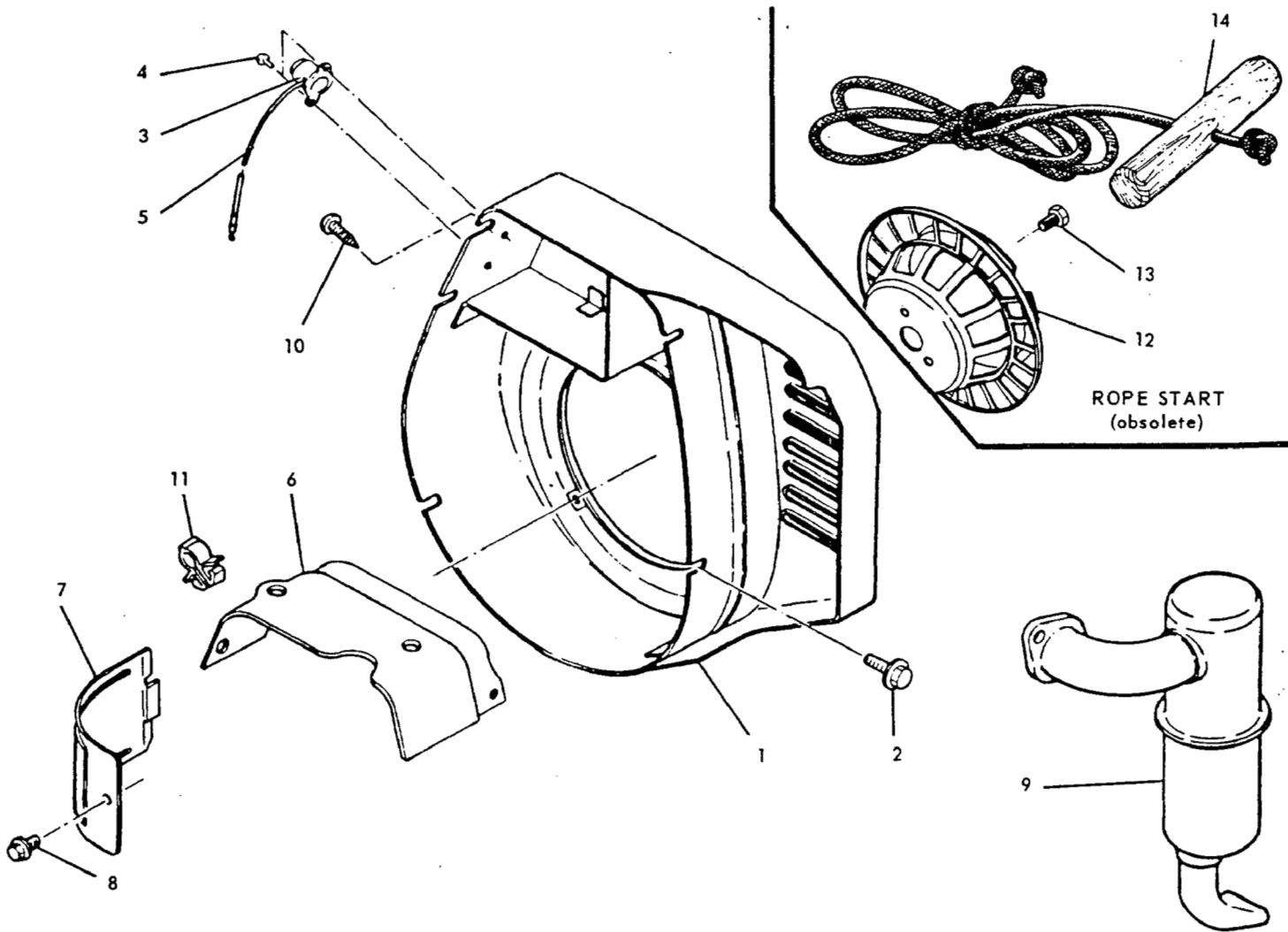
NOTE: Items without a part number are not sold separately.

Ref. No.	Part Number	Description	No. Req.	Ref. No.	Part Number	Description	No. Req.
●	EY 2144230117	GOVERNOR LEVER and SHAFT SET .. Includes: (Ref. 1 thru 7).	1	11		BACK PLATE	1
1		GOVERNOR LEVER	1	12		SCREW, back plate	1
2		NUT, governor lever	1	13		6mm x 10mm long, hexagon head.	
3		WASHER, governor lever	1	14		SCREW, control lever stop	1
4		6mm I.D., plain steel.		15		5mm x 25mm long, hexagon head.	
5		LOCKWASHER, governor lever	2	16		NUT, lever stop screw	1
6		6mm, spring lock.		17		5mm thread, hexagon steel.	
7		SCREW, governor lever	1	18		CONTROL LEVER	1
		6mm x 25mm long, hexagon head.		19		FRICITION WASHER	1
●	EY 2144250117	GOVERNOR SPRING and LINK SET	1	20		STOP PLATE	1
3		Includes (Ref. 8, 9, 10).		21		WASHER, wing nut	1
9		GOVERNOR LINK	1			8mm I.D., plain steel.	
		SPRING, GOVERNOR LINK	1			WING NUT, control lever	1
10		GOVERNOR SPRING	1			8mm thread.	
●	EY 2144330117	GOVERNOR CONTROL LEVER SET ..	1			CLIP, control mounting stud	1
		Includes (Ref. 11 thru 21).				4mm I.D. x 9mm O.D., U type.	
						SCREW, control wire lock	1
						4mm x 14mm long, hexagon head.	

When ordering parts: Always give Model, Specification and Serial Numbers of engine.

Fig. 4

SHROUDING, MUFFLER and STARTING PULLEY Group
For Model EY 18-3W



Ref. No.	Part Number	Description	No. Req.
1	EY 2145150107	FLYWHEEL SHROUD	1
2	EY 0110060010	SCREW, flywheel shroud mounting 6mm x 12mm long, hexagon flange hd.	4
3	EY 0662000011	STOP BUTTON assembly	1
4	EY 0150040010	SCREW, stop button mounting	2
5	EY 2147320101	IGNITION WIRE, stop button	1
6	EY 2145260107	COVER, cylinder head	1
7	EY 2145270107	BAFFLE, cylinder	1
8	EY 0110060010	SCREW, cylinder baffle mounting	1

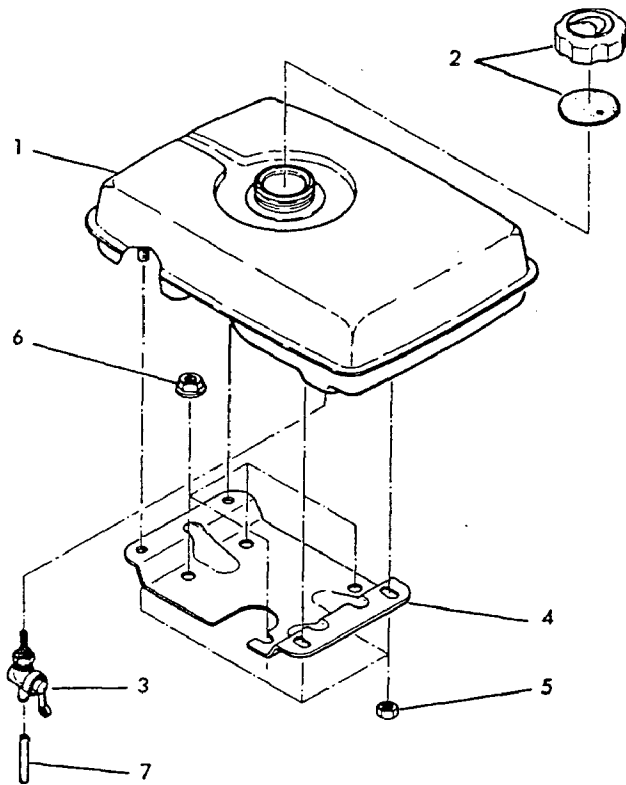
Ref. No.	Part Number	Description	No. Req.
9	EY 2143015001	EXHAUST MUFFLER	1
10	EY 0152050010	SCREW, head cover	2
11	EY 0568080010	CLAMP, ignition wire	1
		Beginning with Serial No. 732032, EY 0566100021 previous to S/N 732032.	
		ROPE START	
		For engines previous to Serial Number 732032.	
12	EY 2145420201	STARTING PULLEY, rope	1
13	EY 0016508100	SCREW, starting pulley mounting	3
14	EY 0703080020	STARTING ROPE assembly	1

When ordering parts: Always give Model, Specification and Serial Numbers of engine.

Fig. 5

FUEL TANK Group

For Model EY 18-3W

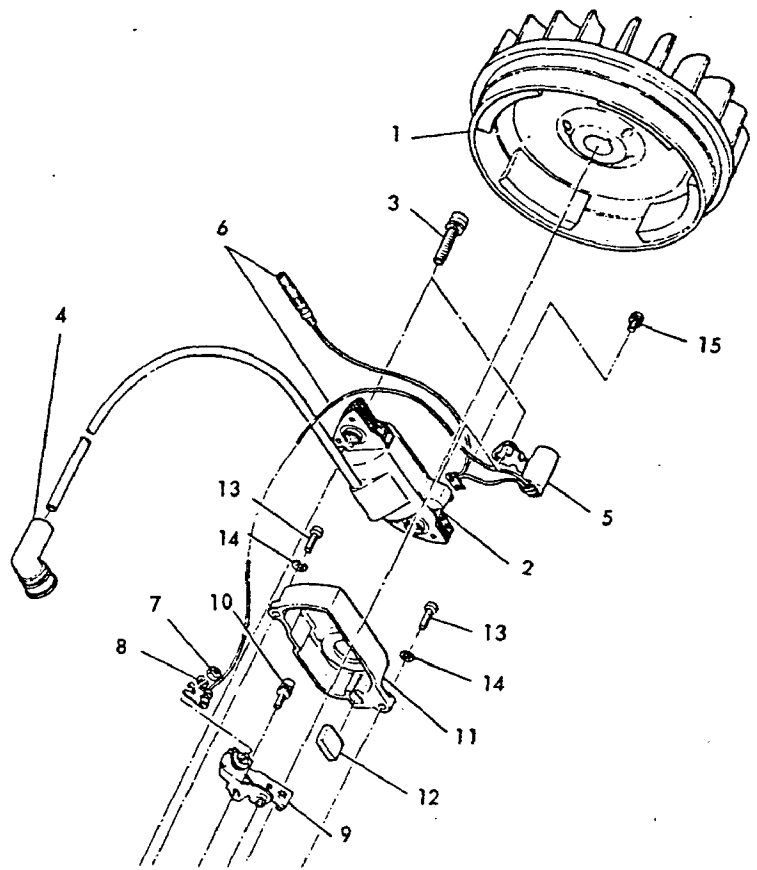


NOTE: Items without a part number are not sold separately.

Ref. No.	Part Number	Description	No. Req.
1	EY 2066030007	FUEL TANK assembly Includes: EY 2066900107 CAP with gasket	1
2			1
3	EY 0642000702	FUEL STRAINER	1
4	EY 2066170101	BRACKET, fuel tank	1
5	EY 0021708000	NUT, tank to bracket mounting	4
		8mm thread, hexagon steel.	
6	EY 0023810000	LOCKNUT, bracket to head mounting ..	4
		10mm thread.	
7	EY 0851040060	FUEL LINE	1

MAGNETO Group

Fig. 6

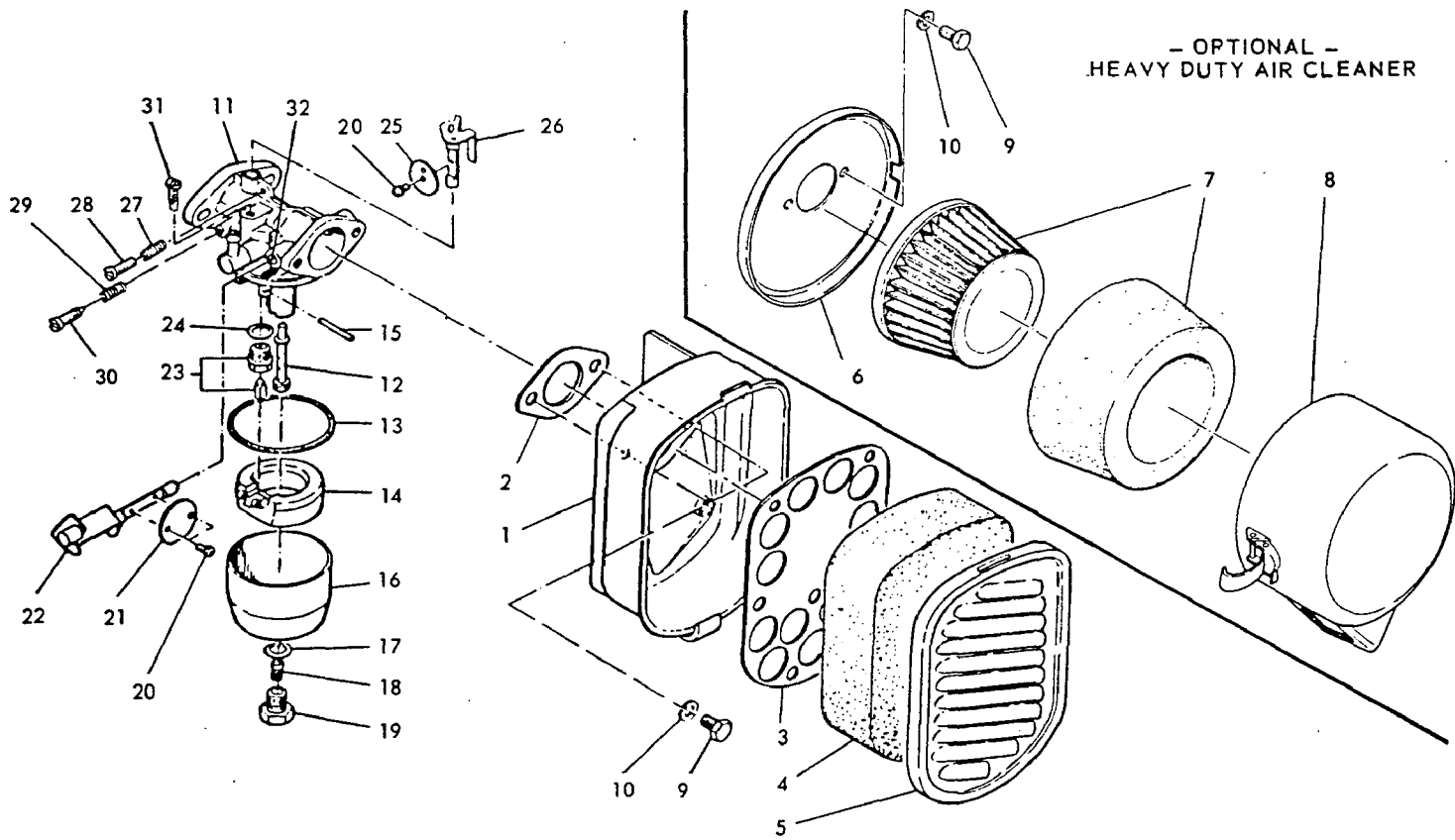


Ref. No.	Part Number	Description	No. Req.
1	EY 2147012118	FLYWHEEL	1
2	EY 2147013318	IGNITION COIL, beg. with S/N 809125 EY 2147013108 previous to S/N 809125.	1
3	EY 0043506250	SCREW - WASHER, ignition coil mt'g. 6mm x 25mm long, round head.	2
4	EY 0655000050	CAP, spark plug terminal	1
•	EY 2147010407	POINTS and CONDENSER KIT	1
		Beginning with Serial No. 809125, EY 2147010207 previous to S/N 809125. Kit includes:	
5		CONDENSER	1
6		LEAD WIRES	2
7		NUT, lead wire	1
8		LOCKWASHER, lead wire	1
9		CONTACT BREAKER	1
10		SCREW - WASHER, breaker (4 mm)....	1
•	EY 2147110117	COVER - HARDWARE KIT, for points and condenser mounting	1
		Consisting of: Ref. 3, 11, 12, 13, 14	
11		BREAKER COVER	1
12		OIL FELT, breaker	1
13		SCREW, point cover mounting	2
		4mm x 12mm long, pan head.	
14		LOCKWASHER, point cover	2
		4mm, spring lock.	
15	EY 2137018008	SCREW - WASHER, terminal connection to ignition coil.	1

When ordering parts: Always give Model, Specification and Serial Numbers of engine.

Fig. 7

CARBURETOR and AIR CLEANER Group For Model EY 18-3W



NOTE: Items without a part number are not sold separately.

Ref. No.	Part Number	Description	No. Req.	Ref. No.	Part Number	Description	No. Req.
●	EY 2143270200	AIR CLEANER assembly	1	19		HOLDER, main jet	1
1		Consisting of:		20	† *	SCREW, choke and throttle valve	3
2	† *	BODY	1			3 mm x 5 mm long, pan head.	
3		GASKET, (also in engine gasket set)	1	21	EY 2066252608	CHOKER VALVE	1
4	EY 2143600213	RETAINER	1	22	EY 2146252008	CHOKER SHAFT	1
5	EY 2143511001	ELEMENT	1	23	EY 2096230208 †	FUEL VALVE and SEAT assembly ..	1
		COVER, beginning with S/N 732032	1	24	† *	GASKET, valve seat	1
		EY 2143510111 previous to S/N 732032	1	25	EY 2146253508	THROTTLE VALVE	1
●	EY 2063261200	AIR CLEANER, Heavy Duty Type	1	26	EY 2146253008	THROTTLE SHAFT	1
	(optional)	Consisting of:		27	EY 1066244808	SPRING, throttle stop screw	1
6		BASE	1	28	EY 2066235108	SCREW, throttle stop	1
7	EY 2063260107	ELEMENT and SLEEVE	1			3 mm x 12 mm lg., flat fillister head.	
8		COVER	1	29	EY 2066244608	SPRING, pilot screw	1
9	EY 0016506100	SCREW, air cleaner mounting	2	30	†	PILOT SCREW	1
		6 mm x 10 mm long, hexagon head.		31	†	PILOT JET	1
10	EY 0032006000	LOCKWASHER, air cleaner mt'g.	2	32	EY 2146255708	SPRING, choke shaft	1
		6 mm, spring lock.		●	EY 2146230207	REPAIR KIT, carburetor	
11	EY 2146230100	CARBURETOR assembly	1		†	Parts included in kit.	
12		Includes Items (12 thru 31).		●	EY 2146230107/	GASKET SET, carburetor	
13	† *	NOZZLE	1		†	Parts included in set.	
14		GASKET, float chamber	1				
15	EY 2066250508	FLOAT	1				
16	†	FLOAT PIN	1				
17		FLOAT CHAMBER	1				
18	† *	WASHER, jet holder	1				
	EY 1296240108 †	MAIN JET	1				

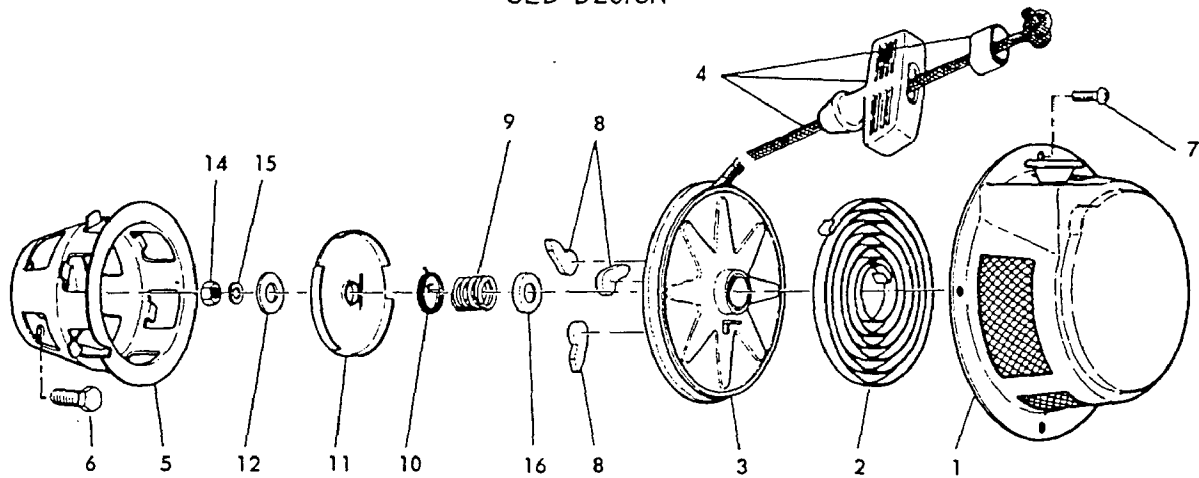
When ordering parts: Always give Model, Specification and Serial Numbers of engine.

RECOIL STARTER ASSEMBLY For Model EY 18-3W

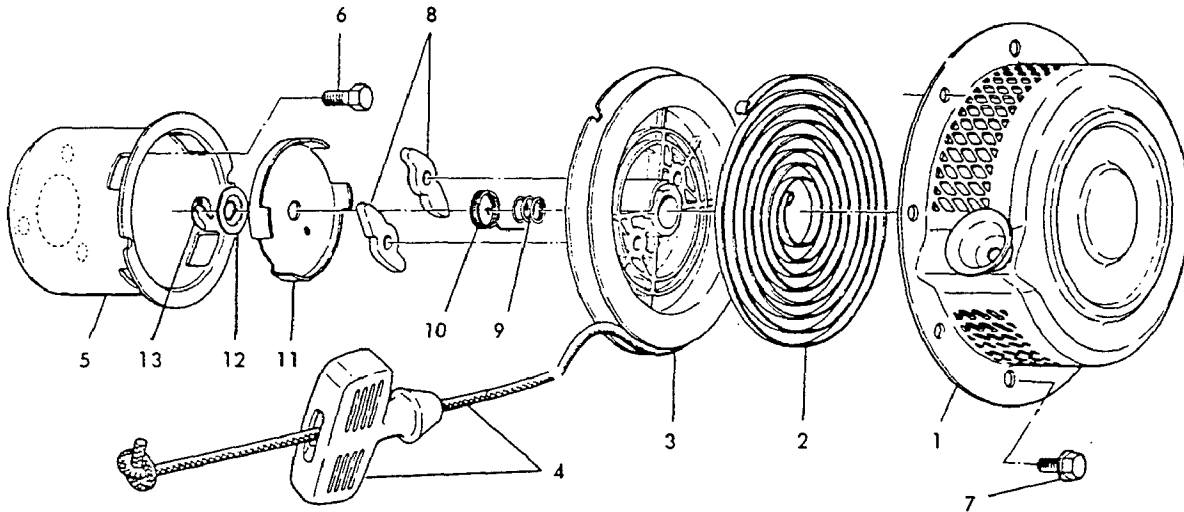
Fig. 8

NOTE: Beginning with engine serial number 732032, a two pawl, nylon reel recoil starter replaces a three pawl, steel reel starter and is interchangeable as a complete unit. Individual component parts are not interchangeable and should be serviced accordingly.

OLD DESIGN



NEW DESIGN



NOTE: Items without a part number are not sold separately.

Ref. No.	Part Number		Description	No. Req.	Ref. No.	Part Number		Description	No. Req.
	NEW	OLD				NEW	OLD		
●	EY 2145080107	EY 2145026000	RECOIL STARTER Complete.	1	●	EY 2145010207	EY 2145010107	HARDWARE KIT	1
1			HOUSING	1				Consisting of:	
2	EY 1065011608	EY 2065011508	POWER SPRING	1				Ref. No. 8, 9, 10, 11, 12, 13.	
3	EY 2145012108	EY 2065012318	REEL	1	8			Ref. No. 8, 9, 10, 11, 12, 14, 15, 16.	
4	EY 1065010808	EY 2075010708	ROPE assembly	1	9				PAWL
5	EY 2145015118	EY 2145014508	PULLEY, starting	1	10				SPRING, compression
6	EY 0016508120	EY 0016508100	SCREW, pulley mt'g. ... 8 x 12mm long, hex hd.	3	11				SPRING, return
7	EY 0110060010	EY 0043106080	SCREW, hsg. flange ... 6 x 10mm long, hex hd. 6 x 8mm long, pan.hd.	4	12				RETAINER, pawl
					13				WASHER, retainer spac.
					14				CLIP, retainer mt'g. ...
					15				NUT, retainer, 8mm ...
					16				WASHER, retainer nut .
									CUP, spring retainer ..

When ordering parts: Always give Model, Specification and Serial Numbers of engine.