

Introduction

This catalog is designed to identify Wisconsin Robin parts.

When ordering parts, it is always advisable to list the engine model, specification number and serial number. With this information, we can check your order for any incorrect part numbers. Use your Service Parts List to ensure proper part number and nomenclature identification.

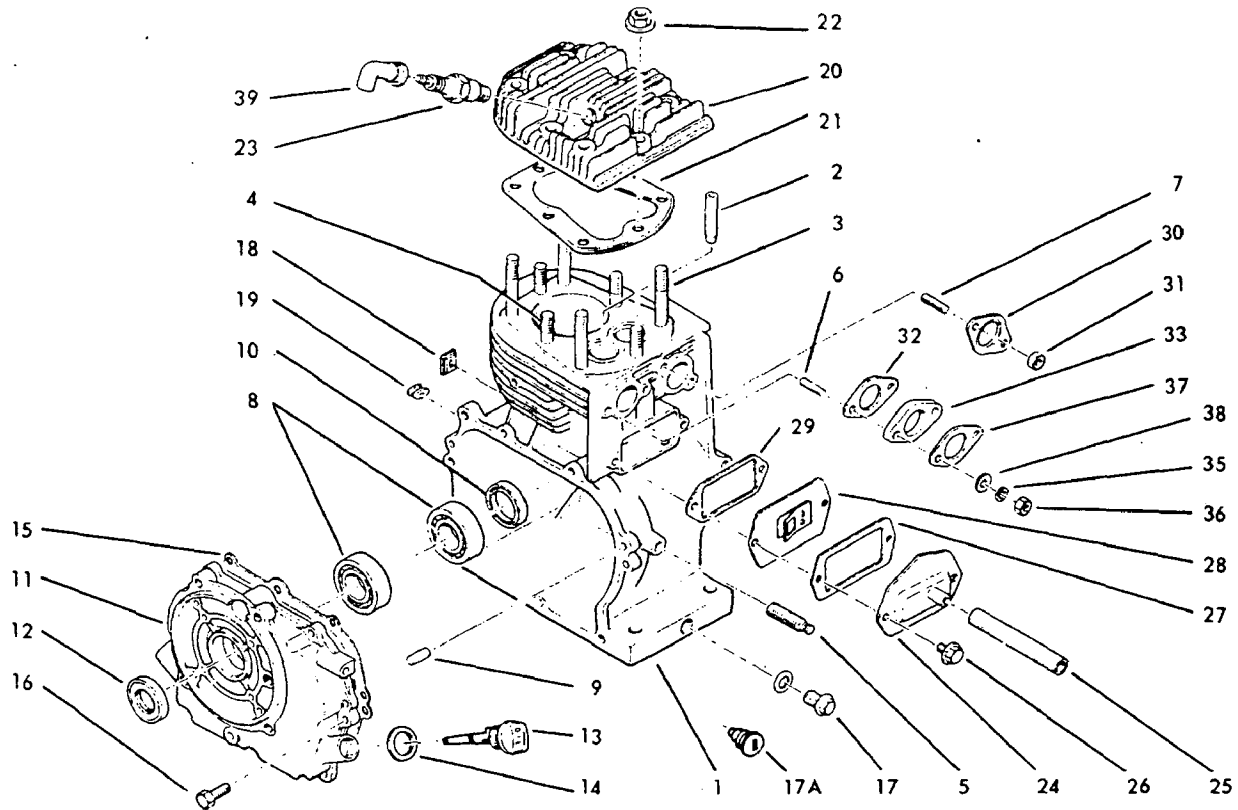
TELEDYNE TOTAL POWER reserves the right to modify, alter and improve engines and parts. Part numbers and the structure of parts may change from those shown in this catalog.

Table of Contents

Crankcase and Cylinder Head	1
Crankshaft, Camshaft, Piston, Rod and Valve	2
Governor and Speed Control	3
Shrouding and Muffler	4
Fuel Tank	5
Magneto	5
Carburetor and Air Cleaner	6
Recoil Starter	7

CRANKCASE and CYLINDER HEAD Group For Model EY 25W

Fig. 1



NOTE: Items without a part number are not sold separately.

* * Included in Engine Gasket Set. (Ref. 25, page 2).

Part Number	Description	No. Req.
1	CYLINDER - CRANKCASE	
2 EY 2071420503	VALVE GUIDE	2
3 EY 0105100050	STUD, cylinder head mounting 10 mm x 74 mm long.	4
4 EY 0105100060	STUD, cylinder head mounting 10 mm x 50 mm long.	4
5 EY 0105080031	STUD, governor control mounting	1
6 EY 0013106351	STUD, carburetor mounting 6 mm x 35 mm long.	2
7 EY 0013108301	STUD, muffler mounting 8 mm x 30 mm long.	2
8 EY 0600300020	BEARING, crankshaft main	2
9	DOWEL PIN, gear cover	2
10 EY 0440300030	OIL SEAL, crankcase	1
11 EY 2071110211	GEAR COVER assembly	1
12	Includes: Bearing (Ref. 8) EY 0440300030 OIL SEAL	1
	EY 0420220010 PLUG (not illust.)...	1
13 EY 2066360117	OIL FILLER - DIP STICK	1
14	Includes: EY 0213200010 GASKET	1
15 * *	GASKET, gear cover	1
16 EY 0016608250	SCREW, gear cover mounting 8 mm x 25 mm long, hex head.	8
EY 0401140030	OIL DRAIN PLUG, (metal) with	1
	EY 0211140020 Gasket Beginning with engine Serial No. 260694.	
17A EY 0420140011	OIL DRAIN PLUG (obsolete - rubber) Previous to Serial No. 260694.	1

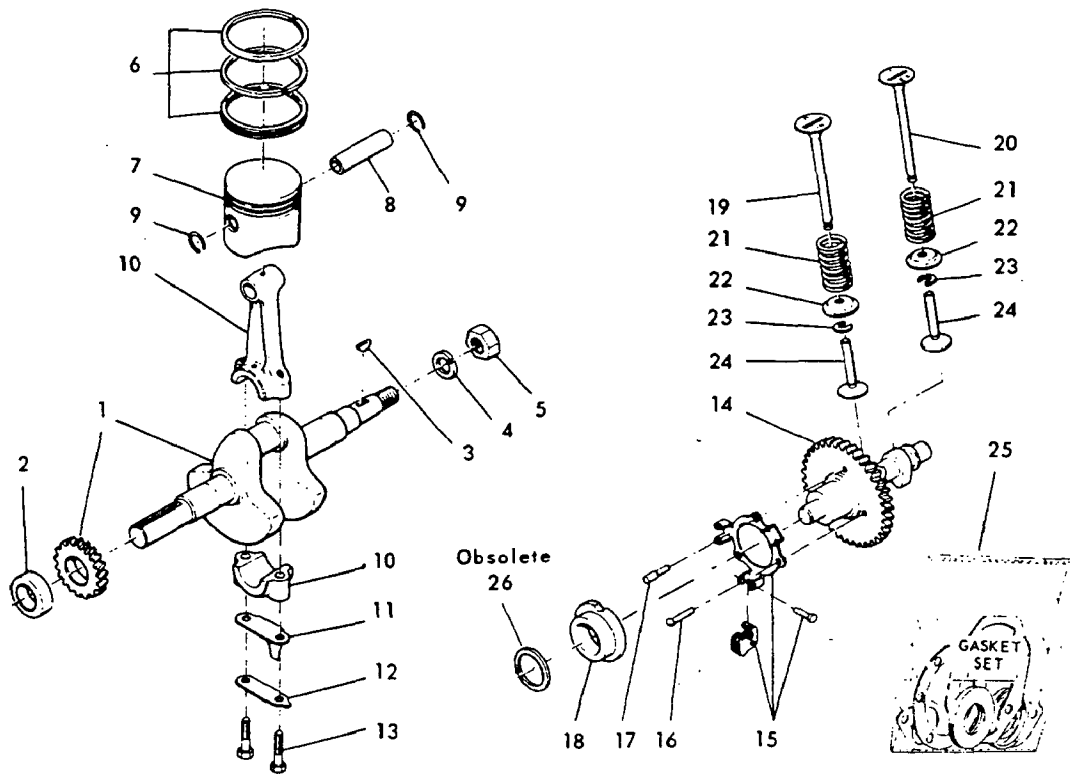
Ref. No.	Part Number	Description	No. Req.
18	EY 0241080070	GROMMET, ignition wire	1
19	EY 0241030020	GROMMET, ignition wire	1
20	EY 2071320113	CYLINDER HEAD	1
21	EY 2071500101	GASKET, cylinder head	1
22	EY 0023810000	LOCKNUT, cylinder head - 10mm	8
23	EY 0650140036 (optional)	SPARK PLUG with gasket	1
		Champion L86, AC43F, NGK B6HS.	
24	EY 2071440101	INSPECTION COVER	1
25	EY 0851080020	BREATHER TUBE	1
26	EY 0110060020	SCREW, inspection cover	2
		6 mm x 12 mm long, hex flange head.	
27	* *	GASKET, inspection cover	1
28	EY 2141430121	BREATHER PLATE	1
29	* *	GASKET, breather plate	1
30	EY 2073520101	GASKET, muffler mounting	1
31	EY 0021908000	NUT, muffler mounting	2
		8 mm thread, hexagon brass.	
32	* *	GASKET, insulating plate	1
33	EY 2063290103	INSULATING PLATE, carburetor	1
35	EY 0032006000	LOCKWASHER, carburetor mt'g.	2
		6 mm, spring lock.	
36	EY 0022806000	NUT, carburetor mounting	2
		6 mm thread, hexagon steel.	
37	EY 2083600303	GASKET, carburetor flange	1
38	EY 0031006000	WASHER, carburetor mounting	2
		6.4 mm I.D. x 13 mm O.D., plain steel.	
39	EY 0655000050	CAP, spark plug	1

When ordering parts: * Always give Model, Specification and Serial Numbers of engine.

Fig. 2

CRANKSHAFT, CAMSHAFT, PISTON, ROD and VALVE Group

For Model EY25W



NOTE: Items without a part number are not sold separately.

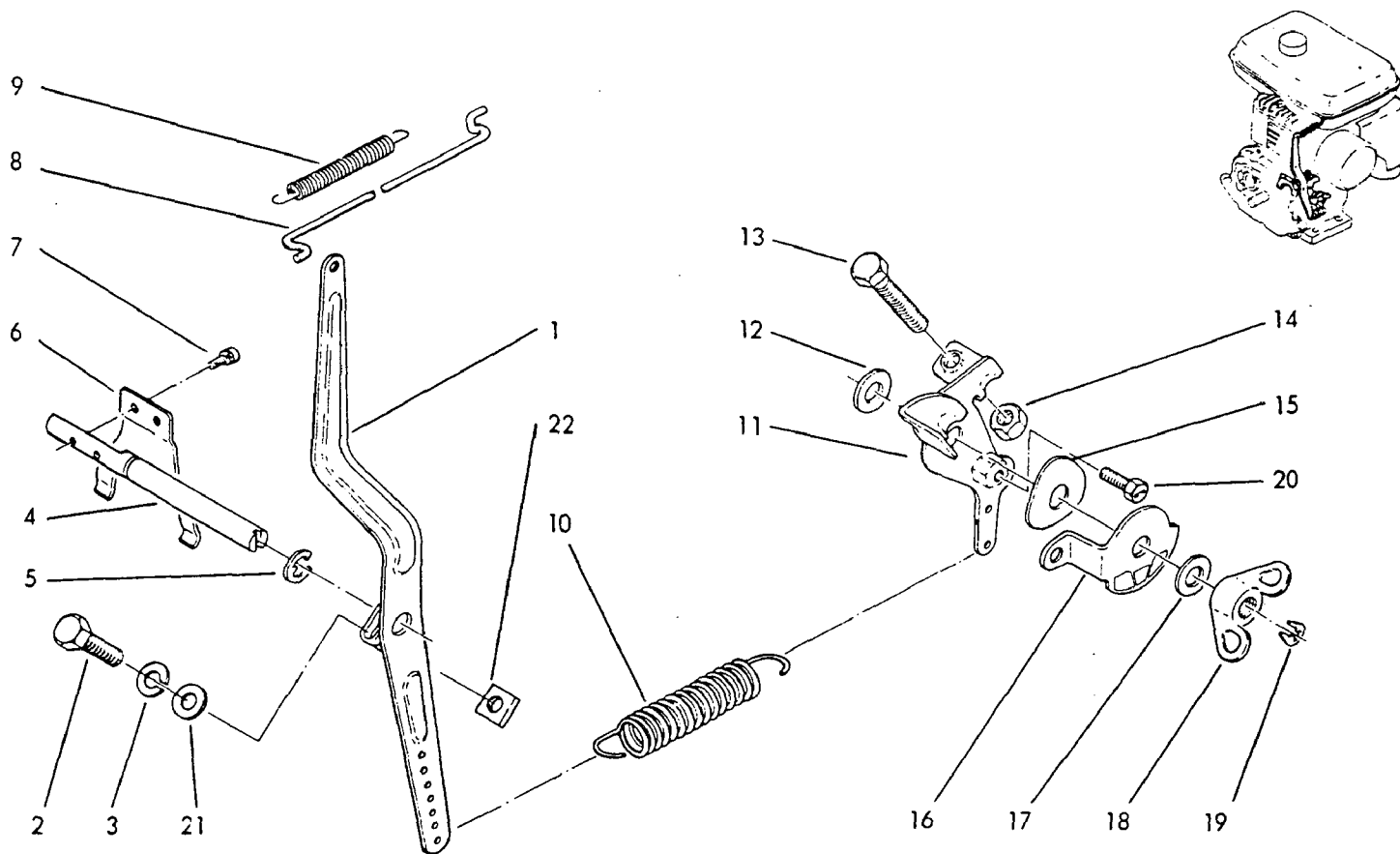
Ref. No.	Part Number	Description	Qty.
1	EY02072180101	CRANKSHAFT with gear	1
2	EY0230300090 EY0230300100 EY0230300110	ADJUSTING COLLAR 'A' .740-.748" .748 to .756 'B' .756 to .764 'C'	1
3	EY0323030010	KEY, flywheel mounting	1
		3 mm wide x 6 mm high, woodruff	
4	EY0032014000	LOCKWASHER, flywheel nut	1
		14 mm spring lock	
5	EY0021814000	NUT, flywheel mounting	1
		14 mm thread, hexagon steel	
6	EY02072351107	RING SET, standard size	1
		Consisting of:	
		COMPRESSION RING	1
		SCRAPER RING	1
		OIL RING	1
	EY02072350207	.010" oversize Ring Set	
	EY02072350307	.020" oversize Ring Set	
7	EY02072340103 EY02072340203 EY02072340303	PISTON, standard size	1
		.010" oversize Piston	
		.020" oversize Piston	
8	EY02072330103	PIN, piston	1
9	EY0565160010	SNAP RING, piston pin	2

Ref. No.	Part Number	Description	Qty.
10	EY 2132250100	CONNECTING ROD assembly	1
		Includes:	
11	EY 2072310103	OIL SCRAPER	1
12	EY 2072320103	LOCK PLATE	1
13	EY 2072300103	ROD BOLT	2
	EY 2132250200	.020 inch undersize connecting rod ..	-
14	EY 2073180121	CAMSHAFT assembly, includes:	1
15		GOVERNOR PLATE assembly	1
16		RIVET, 4 mm x 13 mm long, rd. head	2
17		PIN, governor sleeve	1
18	EY 2064190113	GOVERNOR SLEEVE	1
19	EY 2073340113	INLET VALVE	1
20	EY 2073350113	EXHAUST VALVE	1
21	EY 2063360103	VALVE SPRING	2
22	EY 2063370113	RETAINER, valve spring	2
23	EY 2063380113	LOCK, valve spring retainer	2
24	EY 2073330113	VALVE TAPPET	2
25	EY 2079900127	ENGINE GASKET SET	1
		Consisting of:	
		GEAR COVER gasket	1
		CYLINDER HEAD gasket	1
		BREATHER PLATE gasket	1
		INSPECTION COVER gasket	1
		MUFFLER FLANGE gasket	1
		CARBURETOR FLANGE gasket	1
		AIR CLEANER gasket	1
26	EY 0230300120	WASHER, governor thrust (obsolete) ..	1
		Serial # 267229 thru # 323770	

When ordering parts: Always give Model, Specification and Serial Numbers of engine.

GOVERNOR and SPEED CONTROL Group
For Model EY 25 W

Fig. 3



NOTE: Items without a part number are not sold separately.

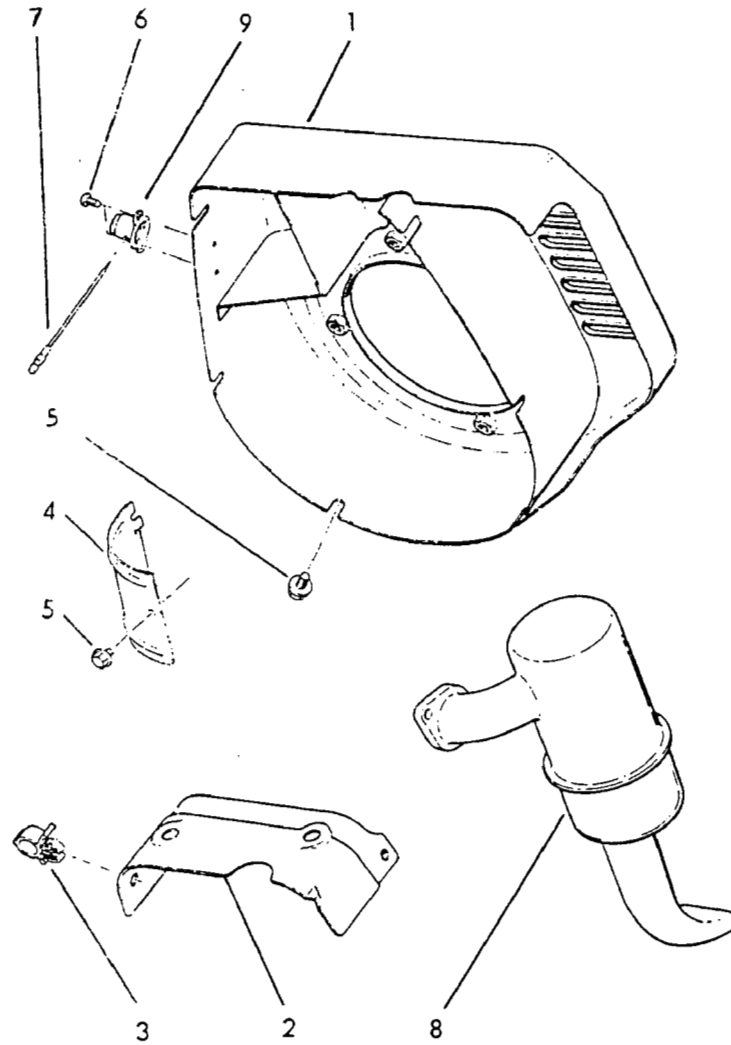
Ref. No.	Part Number	Description	No. Req.
●	EY 2074230117	GOVERNOR LEVER and SHAFT SET (Includes Items 1 thru 7, 21 and 22).	1
1		GOVERNOR LEVER	1
2		SCREW, governor lever 6 mm x 25 mm long, hex head.	1
3		LOCKWASHER, governor lever 6 mm, spring lock.	1
4		GOVERNOR SHAFT	1
5		CLIP, shaft retainer	1
		6 mm I.D. x 12 mm, O.D.	
6		GOVERNOR YOKE	1
7		SCREW, yoke mounting	2
		4 mm x 8 mm long, round head.	
●	EY 2074250107	GOVERNOR SPRING and LINK SET.. (Includes Items 8, 9, 10).	1
8		GOVERNOR LINK	1
		SPRING, governor link	1
10		GOVERNOR SPRING	1
●	EY 2074420111	BRACKET, throttle cable	1

Ref. No.	Part Number	Description	No. Req.
●	EY 2074330117	GOVERNOR CONTROL LEVER SET (Includes Items 11 thru 20).	
11		CONTROL LEVER	1
12		FRICTION WASHER	1
13		SCREW, control lever stop	1
		6 mm x 40 mm long, hexagon head.	
14		NUT, lever stop screw	1
		6 mm thread, hexagon steel.	
15		WASHER, stop plate	1
16		STOP PLATE	1
17		WASHER, wing nut	1
		8 mm I.D., plain steel.	
18		WING NUT, control lever	1
		8 mm thread.	
19		CLIP, control mounting stud	1
		4 mm I.D. x 9 mm O.D., U type.	
20		SCREW, control wire lock	1
		4 mm x 14 mm long, hex head.	
21		WASHER, governor lever	1
		6 mm I.D., plain steel.	
22		NUT, governor lever	1
		6 mm thread, square steel.	

When ordering parts: Always give Model, Specification and Serial Numbers of engine.

Fig. 4

SHROUDING and MUFFLER Group For Model EY 25 W



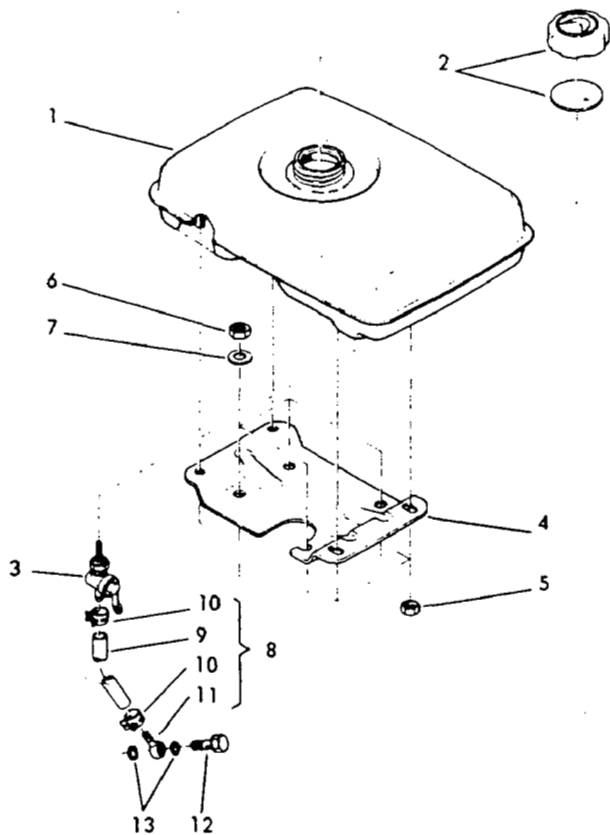
Ref. No.	Part Number	Description	No. Req.	Ref. No.	Part Number	Description	No. Req.
1	EY 2075130107	SHROUD, flywheel, for manual start....	1	7	EY 2147320101	IGNITION WIRE, stop button	1
2	EY 2075260107	COVER, cylinder head	1	8	EY 2073015001	EXHAUST MUFFLER	1
3	EY 0568080010	CLAMP, ignition wire	1	9	EY 0562000011	STOP BUTTON assembly	1
4	EY 2075300107	BAFFLE, cylinder	1				
5	EY 0110060020	SCREW, baffle and shroud mounting .. 6mm x 12mm long, hex flange head.	7				
6	EY 0150040010	SCREW, 4 x 8mm lg. self tapping, pan .. 3 - for starter pinion cover. 2 - for stop button assembly.	5				

When ordering parts: Always give Model, Specification and Serial Numbers of engine.

Fig. 5

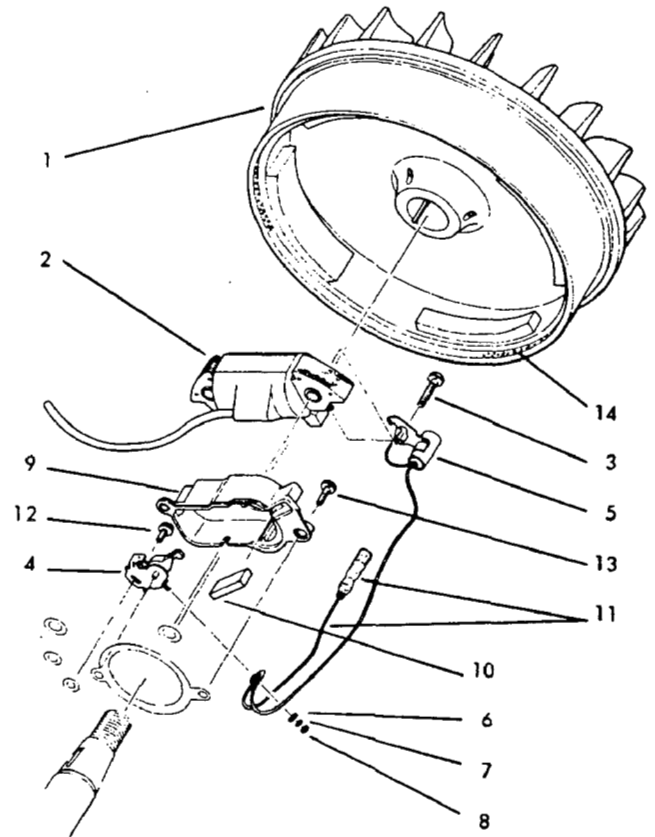
FUEL TANK Group

For Model EY25W



MAGNETO Group

Fig. 6



NOTE: Items without a part number are not sold separately.

Ref. No.	Part Number	Description	Qty.
1	EY 2076020217	FUEL TANK assembly	1
2		Includes: EY2066500101 CAP with gasket ..	1
3	EY 0642000702	FUEL STRAINER	1
4	EY2076170101	BRACKET, fuel tank	1
5	EY0021708000	NUT, tank to bracket mounting	4
6	EY0022710000	NUT, bracket to head mounting	4
7	EY0031010000	WASHER, bracket to head nut	4
8	EY 2076261311	FUEL LINE assembly	1
		Consisting of:	
9		FUEL LINE	1
10	EY0561100030	CLAMP	2
11	EY0521060100	BANJO FITTING ...	1
	EY2096233508	BANJO BOLT, fuel line	1
13	EY2076234508	GASKET, banjo bolt	2

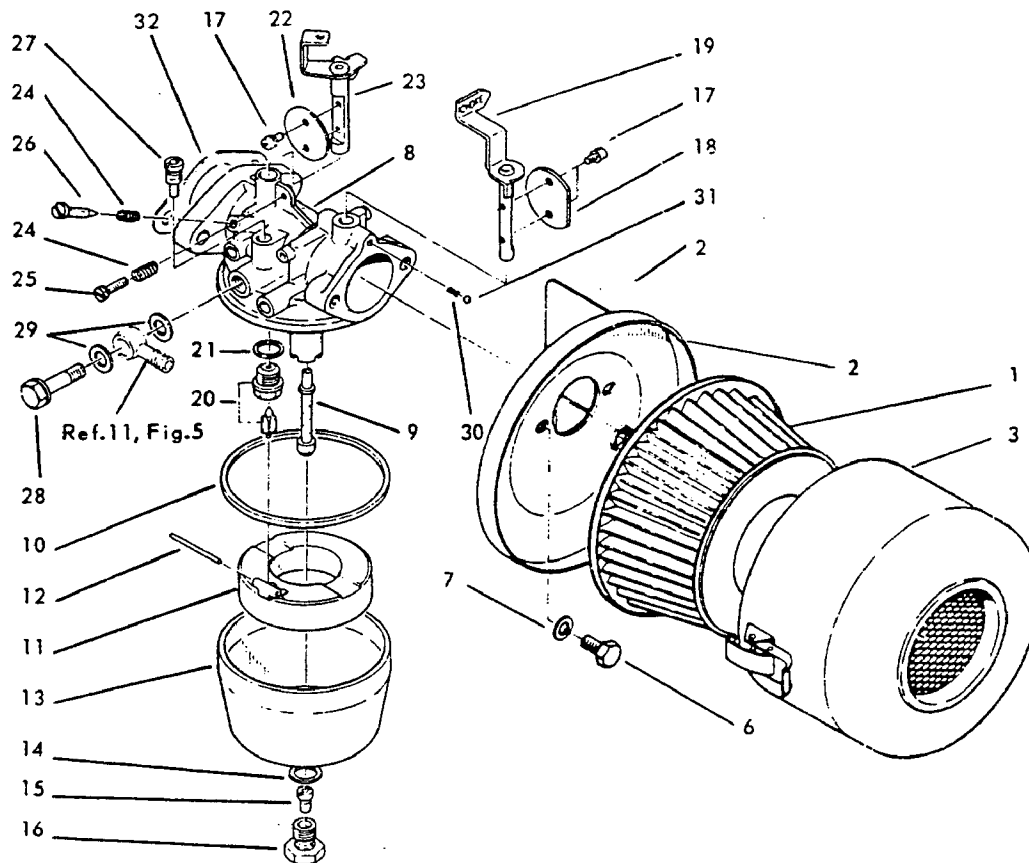
Ref. No.	Part Number	Description	No. Req.
1	EY 2137015308	FLYWHEEL, beg. with S/N 550568 EY 2137012008 previous to S/N 550568	1
2	EY 2137013018	IGNITION COIL, beg. with S/N 550568 EY 2077010208 previous to S/N 550568	1
3	EY 0043106250	SCREW assembly, ignition coil	2
		6 mm x 25 mm long, round head.	
	● EY 2067010407	POINTS and CONDENSER KIT	1
		Beginning with Serial No. 550568 EY 2067010207 previous to S/N 550568 Kit includes:	
4		CONTACT BREAKER	1
5		CONDENSER	1
6		WASHER, point terminal wire	1
7		LOCKWASHER, point terminal wire	1
8		NUT, point terminal wire	1
	● EY 2067110307	HARDWARE SET, for points and cond. Beginning with Serial No. 550568 EY 2067110207 previous to S/N 550568 Consisting of:	1
9		BREAKER COVER	1
10		OIL FELT, breaker	1
11		LEAD WIRE	1
12		SCREW, point bracket mounting	1
		4 mm x 8 mm long, round head.	
13		SCREW, point cover mounting	2
		4 mm x 12 mm long, pan head.	
14	EY 2067600203	DUST FELT, flywheel	1

When ordering parts: Always give Model, Specification and Serial Numbers of engine.

Fig. 7

CARBURETOR and AIR CLEANER Group

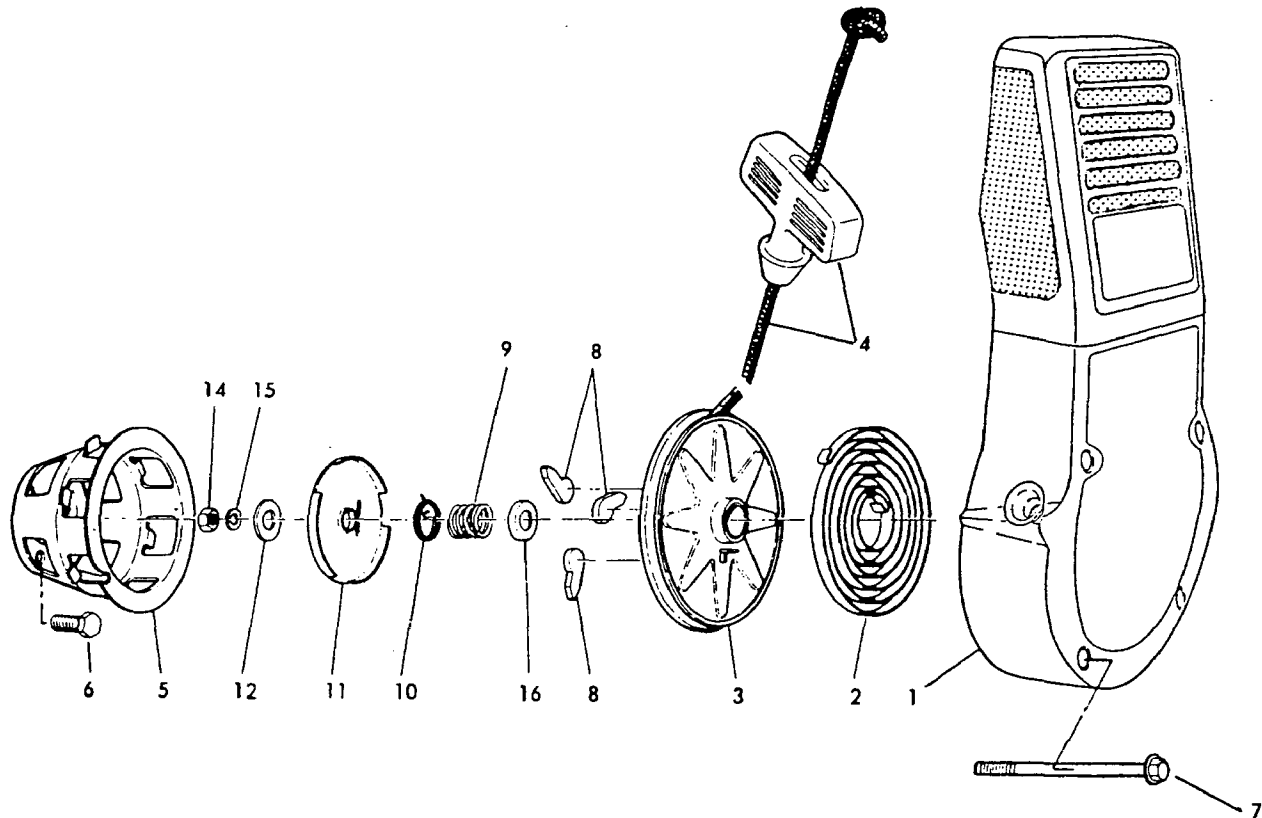
For Model EY25W



NOTE: Items without a part number are not sold separately.

Ref. No.	Part Number	Description	Qty.	Ref. No.	Part Number	Description	Qty.
①	EY2073260820	AIR CLEANER - Heavy Duty Type .	1	21	†*	GASKET, valve seat	1
1		Consisting of:		22	EY 2076253508	THROTTLE VALVE	1
		EY2073260008 ELEMENT	1	23	EY 2076253008	THROTTLE SHAFT	1
2		BACK PLATE	1	24	EY 2096244508	SPRING, throt. stop and pilot screws	2
3		COVER	1	25	EY 2096235208	SCREW, throttle stop	1
						4 mm x 12 mm lg., flat fillister hd.	
6	EY0016506100	SCREW, air cleaner mounting	2	26	†	PILOT SCREW	1
		6 mm x 10 mm long, hexagon head		27	†	PILOT JET	1
7	EY0032060600	LOCKWASHER, air cleaner mfg.	2	28		BOLT, fuel line connector	1
		6 mm, spring lock		29		GASKET, fuel line bolt	2
8	EY2076231010	CARBURETOR assembly	1			For BOLT and GASKET	
		(Includes Items 9 thru 31)				(See Fig. 5, Ref. 12 and 13.)	
9		NOZZLE	1	30	EY2096244608	SPRING, choke retainer	1
10	†*	GASKET, float chamber	1	31	EY 2096235308	STEEL BALL, choke retainer	1
11	EY2096250508	FLOAT	1	32	†*	GASKET, flange	1
12	†	FLOAT PIN	1	●	EY2076230207	REPAIR KIT, carburetor	
13		FLOAT CHAMBER	1			† Parts included in kit.	
14	†*	WASHER, jet holder	1	●	EY2076230107	GASKET SET, carburetor	
15	EY2076240008	MAIN JET	1			* Parts included in set.	
16		HOLDER, main jet	1				
17	†	SCREW, choke and throttle valve	4				
		3 mm x 5 mm long, pan head					
18	EY2076252608	CHOKE VALVE	1				
19	EY2076252128	CHOKE SHAFT	1				
20	EY2096230208	FUEL VALVE and SEAT assembly	1				

When ordering parts: Always give Model, Specification and Serial Numbers of engine.



NOTE: Items without a part number are not sold separately.

Ref. No.	Part Number	Description	No. Req.	Ref. No.	Part Number	Description	No. Req.
●	EY2075053311	RECOIL STARTER assembly	1	●	EY2075010107	HARDWARE KIT	1
1		HOUSING	1			Consisting of:	
2		POWER SPRING	1	8		PAWL	3
3		REEL	1	9		SPRING, compression	1
4	EY2075011208	STARTER ROPE assembly	1	10		SPRING, return	1
5	EY2075014708	PULLEY, starting	1	11		RETAINER, pawl	1
6		SCREW, pulley mt'g, 8 x 10 mm long	3	12		WASHER, retainer spacing	1
		hex head		14		NUT, retainer, 8 mm	1
7	EY0016606800	SCREW, recoil housing mt'g.	4	15		WASHER, retainer nut	1
		6 x 80 mm long, hex head		16		CUP, spring retainer	1

When ordering parts: Always give Model, Specification and Serial Numbers of engine.