

Introduction

This catalog is designed to identify **Wisconsin Robin** parts.

When ordering parts, it is always advisable to list the engine model, specification number and serial number. With this information, we can check your order for any incorrect part numbers. Use your Service Parts List to ensure proper part number and nomenclature identification.

**TELEDYNE TOTAL POWER** reserves the right to modify, alter and improve engines and parts. Part numbers and the structure of parts may change from those shown in this catalog.

Table of Contents

Crankshaft, Camshaft, Piston, Rod and Valve ..... 1

Crankcase and Cylinder Head ..... 2-3

Governor and Speed Control ..... 4

Recoil Starter Assembly ..... 5

Shrouding, Muffler and Starting Pulley ..... 6

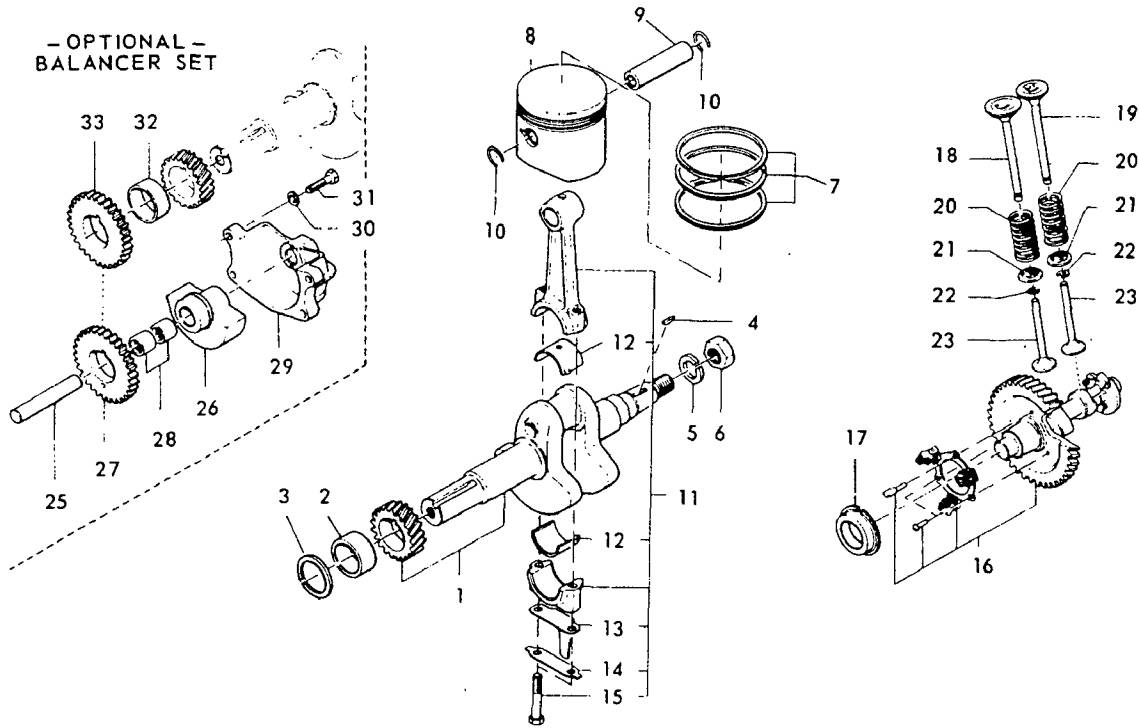
Fuel Tank ..... 7

Magneto ..... 7

Carburetor and Air Cleaner ..... 8

Flywheel ..... 9

Electric Starting Motor ..... 10



NOTE: Items without a part number are not sold separately.

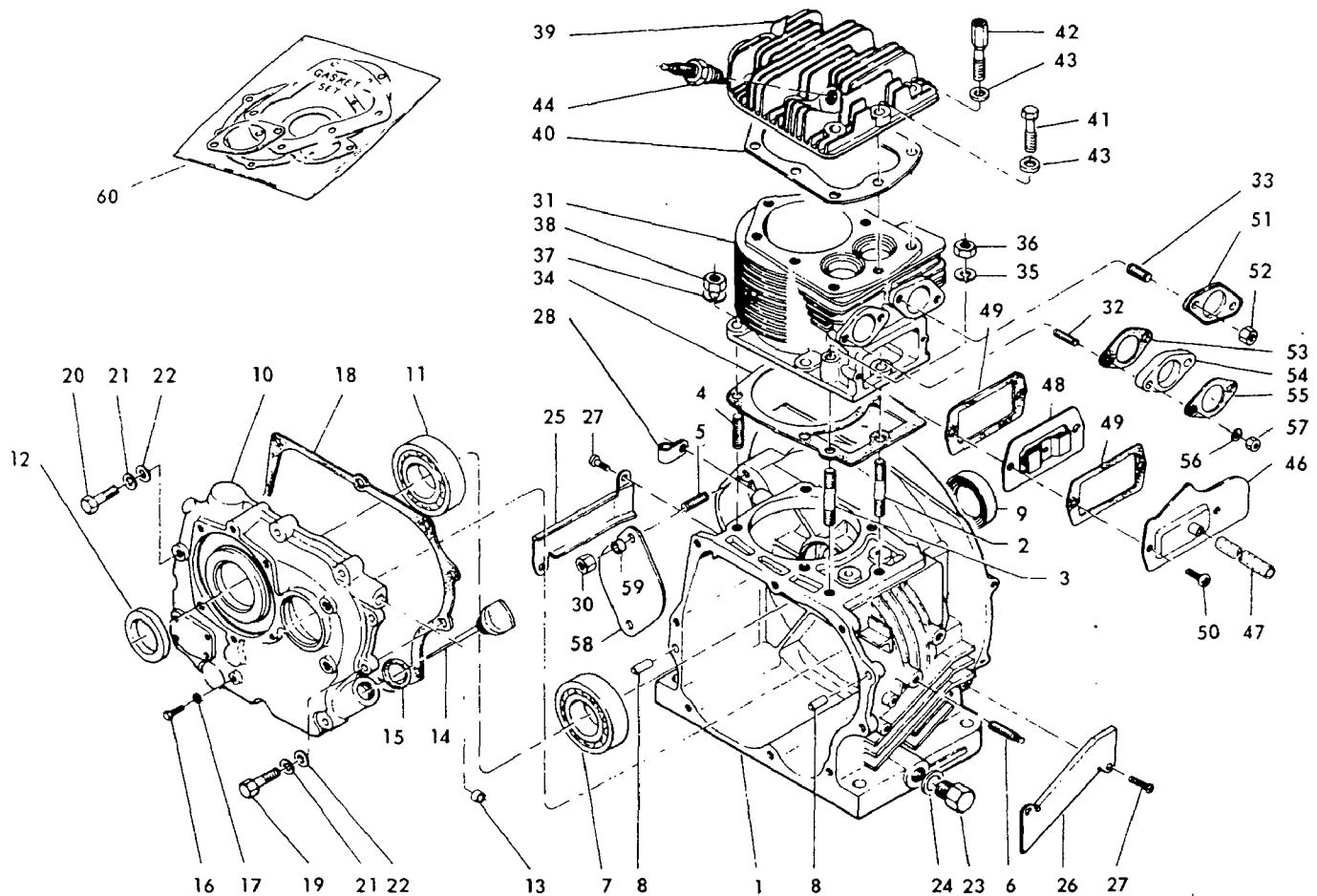
Ref. No.	Part Number	Description	Qty.	Ref. No.	Part Number	Description	Qty.
1	EY2092030131	CRANKSHAFT with gear (std.)	1	10	EY0565200010	SNAP RING, piston pin	2
2	EY0230350050	SPACER, crankshaft	1	11	EY2092250100	CONNECTING ROD assy., includes:	
3	EY0230350010	COLLAR, end play adjusting	1	12		EY2092280103 SHELL BRG. (std.)	2
	EY0230350060	.0384 - .0443 long (size mark 1)		13		EY2092310113 OIL SCRAPER	1
	EY0230350070	.0443 - .0502 long (size mark 2)		14		EY2092320103 LOCK PLATE	1
4	EY0053204401	KEY, flywheel mounting	1	15		EY2092300103 ROD BOLT	2
		4 mm wide x 7.5 mm high, woodruff			● EY2092280203	.010" undersize SHELL BEARING	2
5	EY0032018000	WASHER, flywheel nut	1	16	EY2093180111	CAMSHAFT assembly, includes	1
		18 mm, spring lock				GOVERNOR PLATE assembly	1
6	EY0021818000	NUT, flywheel mounting	1	17	EY2064190113	RIVET, 4 mm x 13 mm long, rd. hd.	2
		18 mm thread, hexagon steel				PIN, governor sleeve	1
	New Design	3 RING PISTON COMPONENTS beginning with S/N X-7240		18	EY2083340103	GOVERNOR SLEEVE	1
7	EY2092351407	RING SET, std. size	1	19	EY2083350103	INLET VALVE	1
	EY2092351507	.010" oversize Ring Set		20	EY2083360113	EXHAUST VALVE	1
	EY2092351607	.020" oversize Ring Set		21	EY2083370103	VALVE SPRING	2
8	EY2092341103	PISTON, standard size	1	22	EY2083380103	RETAINER, valve spring	2
	EY2092341203	.010" oversize Piston		23	EY2093330113	LOCK, valve spring retainer	2
	EY2092341303	.020" oversize Piston				VALVE TAPPET	2
9	EY2092330113	PIN, piston	1		Optional		
	Old Design	4 RING PISTON COMPONENTS previous to s/n X-7240		● EY2082430117	BALANCER SET (items 25 thru 34)	1	
	EY2092350107	RING SET, std. size	1	25		SHAFT, balancer	1
	EY2092351207	.010" oversize Ring Set		26		BALANCER UNIT	1
	EY2092351307	.020" oversize Ring Set				Includes:	
	EY2092340103	PISTON, standard size	1	27		GEAR, balancer	1
	EY2092340203	.010" oversize Piston		28		BEARING, needle	2
	EY2092340303	.020" oversize Piston		29		HOLDER, balancer	1
	EY2092330113	PIN, piston	1	30		LOCKWASHER (8 mm) holder mt'g.	4
				31		SCREW (8 mm x 30 mm) holder mt'g.	4
				32		SPACER, crankshaft	1
				33		GEAR, crankshaft balancer	1

When ordering parts: Always give Model, Specification and Serial Numbers of engine.

Fig. 2

## CRANKCASE and CYLINDER HEAD Group

For Model EY 44W



NOTE: Items without a part number are not sold separately.

\*\* Included in Engine Gasket Set.

\*\*\* Included in Engine and Carburetor Gasket Sets.

Ref. No.	Part Number	Description	Qty.	Ref. No.	Part Number	Description	Qty.
1	EY2091020151	CRANKCASE .....	1	14	EY2089901807	OIL FILLER - DIP STICK .....	1
2	EY0105100011	STUD, cylinder mounting .....	1	15		Includes: GASKET .....	1
3	EY0105080020	STUD, cylinder mounting .....	1	16	EY2099900117	SCREW, gear cover - bal. gear mtg. 6 mm x 10 mm long, hex head	1
4	EY0105100020	STUD, cylinder mounting .....	4	17		Includes: GASKET, fiber .....	1
5	EY0105080044	STUD, starting motor or cover mt'g. 8mm x 35 mm long	2	18	**	GASKET, gear cover .....	1
6		STUD, speed control mounting .....	1	19	EY0016608450	SCREW, gear cover mounting .....	1
7	EY0600350020	BEARING, crankshaft main, fan end	1	20	EY0011408350	SCREW, gear cover mounting .....	7
8		DOWEL PIN, gear cover .....	2	21	EY0032008000	WASHER, gear cover mounting .....	8
9	EY0440350010	OIL SEAL, crankcase .....	1	22	EY0031008000	WASHER, gear cover mounting .....	8
10	EY2091100111	GEAR COVER assembly .....	1			8 mm I.D., plain steel	
11		Includes: EY0600350010 BALL BEARING .....	1				
12		EY0440350010 OIL SEAL, crankshaft	1				
13		EY0440080010 OIL SEAL, governor	1				

(continued)

When ordering parts: Always give Model, Specification and Serial Numbers of engine.

**CRANKCASE and CYLINDER HEAD Group**  
For Model EY 44W

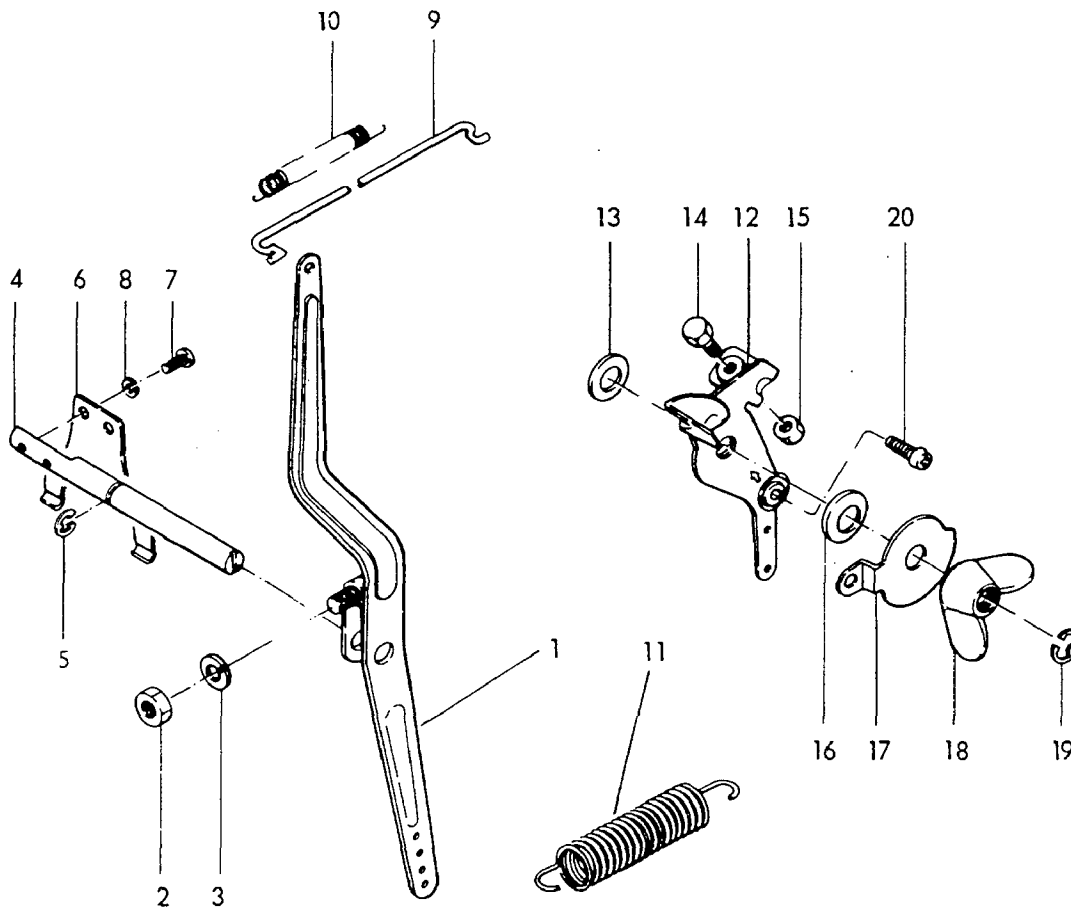
Fig. 2

Ref. No.	Part Number	Description	Qty.	Ref. No.	Part Number	Description	Qty.
23	EY2099900227	<b>PLUG</b> , oil drain .....	1	54	EY2093290103	<b>INSULATING FLANGE</b> , carburetor .....	1
		Includes:		55	EY2093600303	<b>GASKET</b> , carburetor (outer) *** .....	1
24	EY0211140020	GASKET, fiber .....	1	56	EY0032008000	<b>WASHER</b> , carburetor mounting .....	2
25	EY2085600213	<b>AIR DEFLECTOR</b> , R.H. side .....	1			8 mm. spring lock	
26	EY2085600113	<b>AIR DEFLECTOR</b> , L.H. side .....	1	57	EY0022708000	<b>NUT</b> , carburetor mounting .....	2
27	EY0043106080	<b>SCREW</b> , air deflector mounting .....	4			8 mm thread. hexagon steel	
		6 mm x 8 mm long, pan head		58	EY1111500103	<b>COVER</b> , starting motor pad .....	1
28	EY0568080010	<b>CLAMP</b> , ignition wire .....	1	59	EY0230090010	<b>SPACER</b> , starter cover stud .....	2
30	EY0022708000	<b>NUT</b> , starting motor or pad cover .....	2	60	EY2099900307	<b>ENGINE GASKET SET</b> , includes .....	1
		8 mm thread. hexagon steel				GEAR COVER gasket .....	1
31	EY2091250121	<b>CYLINDER BLOCK</b> assembly .....	1			CYLINDER gasket .....	1
		Includes:				CYLINDER HEAD gasket .....	1
32		EY0013108401 STUD, carburetor .....	2			VALVE COVER gasket .....	2
		8 mm x 40 mm long				MUFFLER FLANGE gasket .....	1
33		EY0013108301 STUD, muffler .....	2			CARBURETOR gasket (inner) .....	1
		8 mm x 30 mm long				CARBURETOR gasket (outer) .....	1
34	**	<b>GASKET</b> , cylinder block .....	1			AIR CLEANER gasket .....	1
35	EY0032008000	<b>WASHER</b> , cylinder block mounting ...	1			<b>NOT ILLUSTRATED</b>	
		8 mm. spring lock		EY2081600103	<b>DUST COVER</b> , crankcase, at flywheel end		1
36		<b>NUT</b> , cylinder block mounting .....	1				
		8 mm thread. hexagon steel		EY2081600203	<b>FELT</b> , dust cover .....		1
37	EY0032110000	<b>WASHER</b> , cylinder block mounting ....	5	EY0151060010	<b>SCREW</b> , dust cover. self tapping .....		2
		10 mm. spring lock		EY2091510103	<b>FLANGE ADAPTER</b> , 5-3/4" .....		1
38	EY0021810000	<b>NUT</b> , cylinder block mounting .....	5	EY0016608250	<b>SCREW</b> , flange adapter .....		4
		10 mm thread. hexagon steel		EY0032008000	<b>WASHER</b> , flange adapter .....		4
39	EY2091300133	<b>CYLINDER HEAD</b> .....	1	EY0031008000	<b>WASHER</b> , flange adapter .....		4
40	EY2091500101	<b>GASKET</b> , cylinder head .....	1				
41	EY2091600801	<b>SCREW</b> , cylinder head mounting .....	4				
		10 mm thread (special) hex head					
42	EY2091600701	<b>STUD</b> , cylinder head mounting .....	4				
		10 mm thread (special)					
43	EY0200100020	<b>WASHER</b> , cylinder head mounting ....	8				
		10 mm (special) plain steel					
44	EY0650140036	<b>SPARK PLUG</b> with gasket .....	1				
		Champion L86. AC44F. NGK B6HS					
46	EY2091440121	<b>COVER</b> , valve tappet inspection .....	1				
47	EY0851120010	<b>BREATHER TUBE</b> .....	1				
48	EY2091430131	<b>BREATHER PLATE</b> .....	1				
49	**	<b>GASKET</b> , tappet inspection cover .....	2				
50	EY0011006140	<b>SCREW</b> , tappet inspection cover .....	2				
		6 mm x 12 mm long. hex head					
51	EY208350111	<b>GASKET</b> , muffler mounting .....	1				
52	EY0021908000	<b>NUT</b> , muffler mounting .....	2				
		8 mm thread. hexagon steel					
53	***	<b>GASKET</b> , carburetor (inner) .....	1				

When ordering parts: Always give Model, Specification and Serial Numbers of engine.

Fig. 3

**GOVERNOR and SPEED CONTROL Group**  
For Model EY 44W



NOTE: Items without a part number are not sold separately.

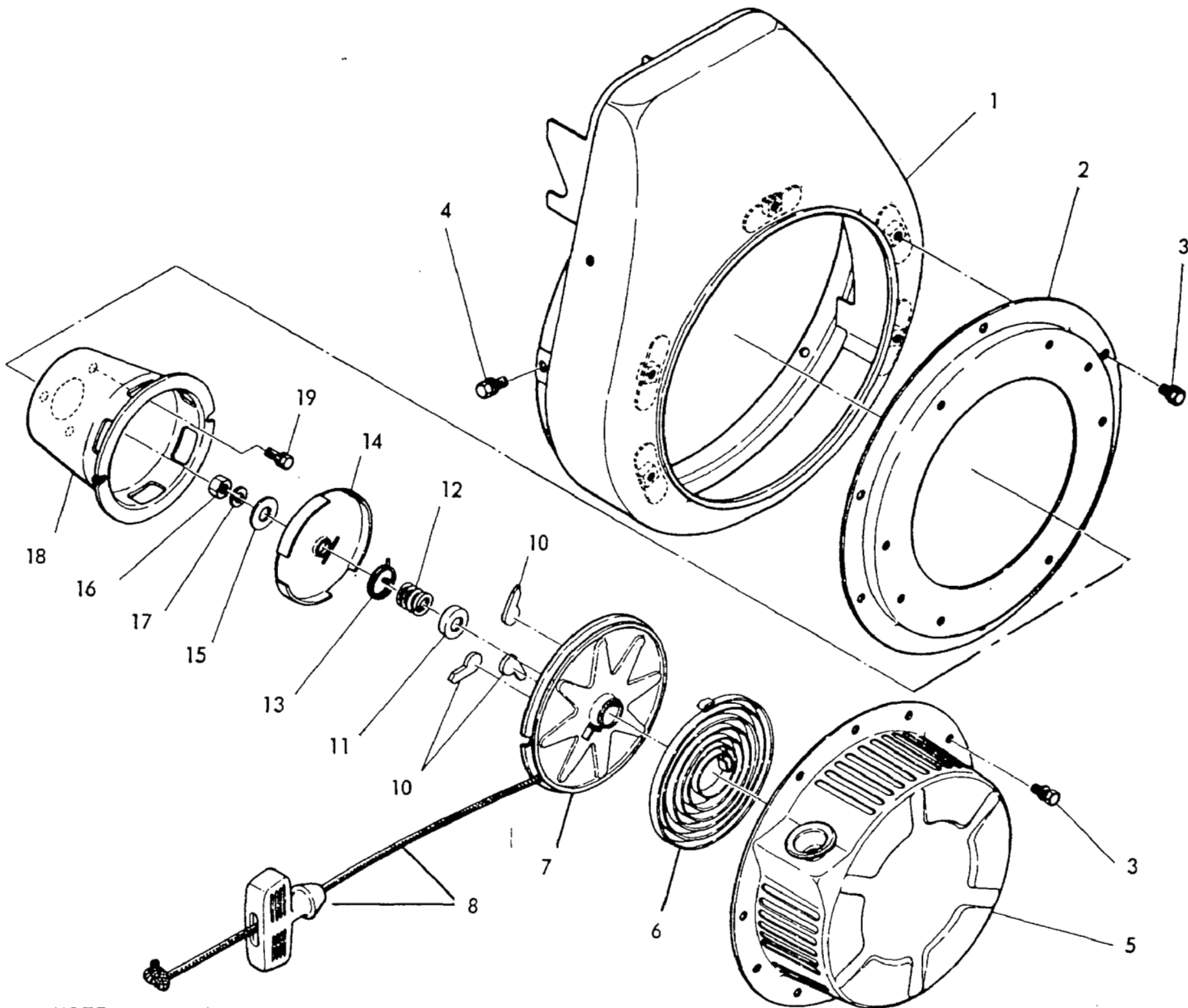
Ref. No.	Part Number	Description	Qty.
●	EY2094230217	GOVERNOR LEVER and SHAFT SET (Includes Items 1 thru 8)	1
1		GOVERNOR LEVER .....	1
2		NUT, governor lever ..... 6 mm thread, hexagon steel	1
3		WASHER, governor lever ..... 6 mm, spring lock	1
4		GOVERNOR SHAFT .....	1
5		CLIP, shaft retainer ..... 6 mm I.D. x 12 mm O.D.	1
6		GOVERNOR YOKE .....	1
7		SCREW, yoke mounting ..... 4 mm x 8 mm long, pan head	2
8		WASHER, yoke mounting ..... 4 mm, spring lock	2
●	EY2084270107	GOVERNOR SPRING and LINK SET (Includes Items 9, 10, 11)	1
9		GOVERNOR LINK .....	1
10		SPRING, governor link .....	1
11		GOVERNOR SPRING .....	1

Ref. No.	Part Number	Description	Qty.
●	EY2074330117	SPEED CONTROL LEVER SET (Includes Items 12 thru 20)	1
12		CONTROL LEVER, speed .....	1
13		FRICTION WASHER .....	1
14		SCREW, control lever stop ..... 6 mm x 50 mm long, hexagon head	1
15		NUT, lever stop screw ..... 6 mm thread, hexagon steel	1
16		WASHER, stop plate .....	1
17		STOP PLATE .....	1
18		WING NUT, speed control lever ..... 8 mm thread	1
19		CLIP, speed control mounting stud ... 4 mm I.D. x 9 mm O.D., U type	1
20		SCREW, speed control wire lock ..... 4 mm x 12 mm long, pan head	1

When ordering parts: Always give Model, Specification and Serial Numbers of engine.

# RECOIL STARTER ASSEMBLY For Model EY44W

Fig. 4

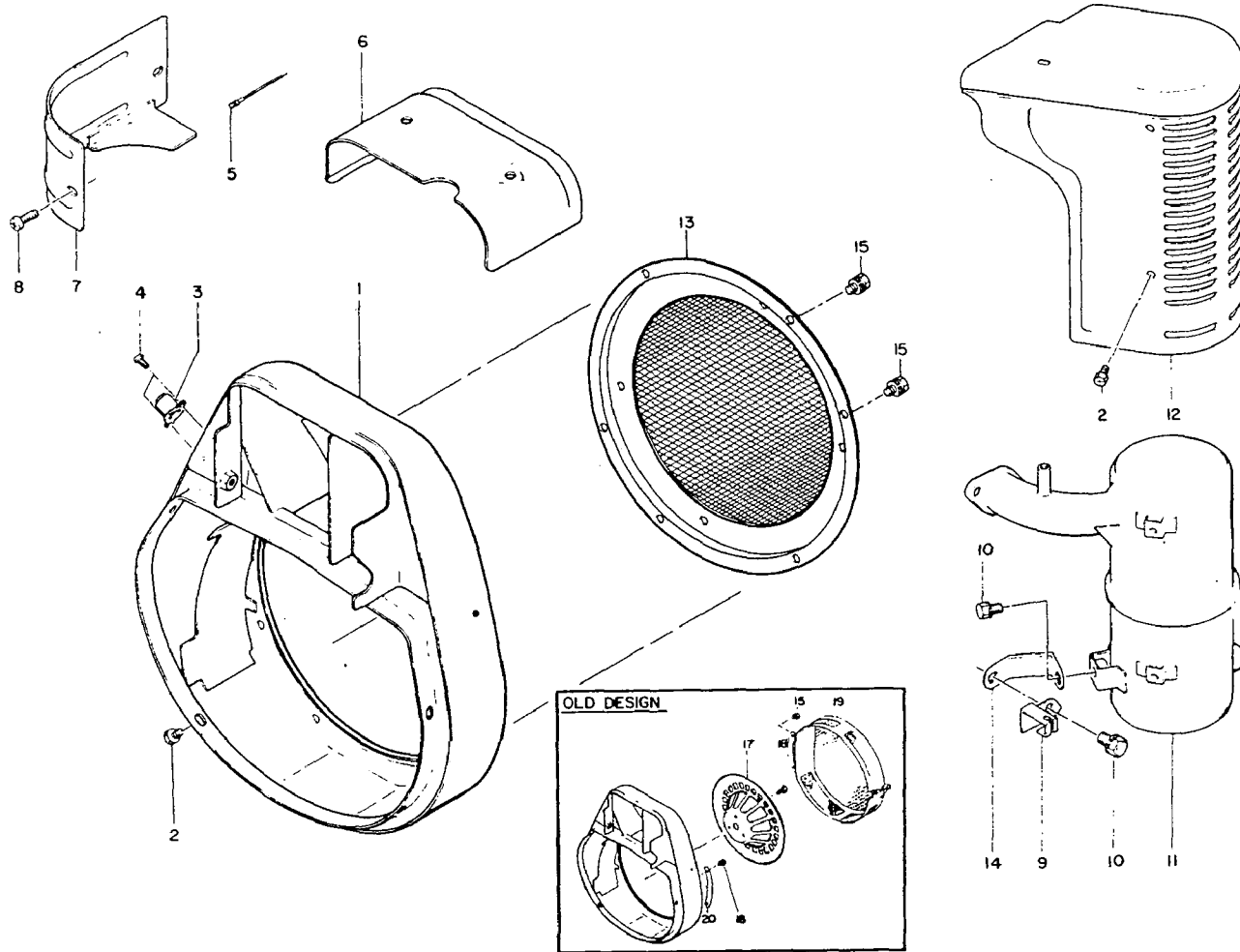


NOTE: Items without a part number are not sold separately. †† Part used previous to Serial No. X-7240.

Ref. No.	Part Number	Description	Qty.	Ref. No.	Part Number	Description	Qty.
1	EY2095120307	<b>FLYWHEEL SHROUD</b> ..... "prime" paint	1	10		<b>RATCHET</b> .....	3
2	EY2095770107	<b>BRACKET</b> , recoil mounting ..... ††EY2085610107	1	11		<b>WASHER</b> , spring retainer .....	1
3	EY0011106120	<b>BOLT - WASHER</b> , assembly ..... For mounting recoil bracket and housing.	11	12		<b>SPRING</b> , friction .....	1
4	EY0011406160	<b>BOLT - WASHER</b> , assembly ..... For flywheel shroud mounting.	4	13		<b>SPRING</b> , return .....	1
•	EY2095020110	<b>RECOIL STARTER</b> , assembly ..... ††EY2095020100	1	14		<b>RETAINER</b> , ratchet .....	1
5		<b>HOUSING</b> .....	1	15		<b>WASHER</b> , retainer spacing .....	1
6	EY1135011608	<b>POWER SPRING</b> .....	1	16		<b>NUT</b> , retainer mounting ..... 8 mm thread. hexagon steel.	1
7		<b>REEL</b> .....	1	17		<b>WASHER</b> , retainer lock ..... 8 mm. spring lock.	1
8	EY2075010508	<b>ROPE and HANDLE</b> , assembly ..... ††EY2075010708	1	18	EY2095014608	<b>PULLEY</b> , starting .....	1
•	EY2095020317	<b>HARDWARE KIT</b> , recoil assembly. (Includes Items 10 thru 17.) ††EY2095020307	1	19	EY0011008160	<b>BOLT - WASHER</b> , assembly ..... For mounting starter pulley.	3

**SHROUDING, MUFFLER and STARTING PULLEY Group**  
For Model EY44W

Fig. 5



**NOTE:** Items without a part number are not sold separately.

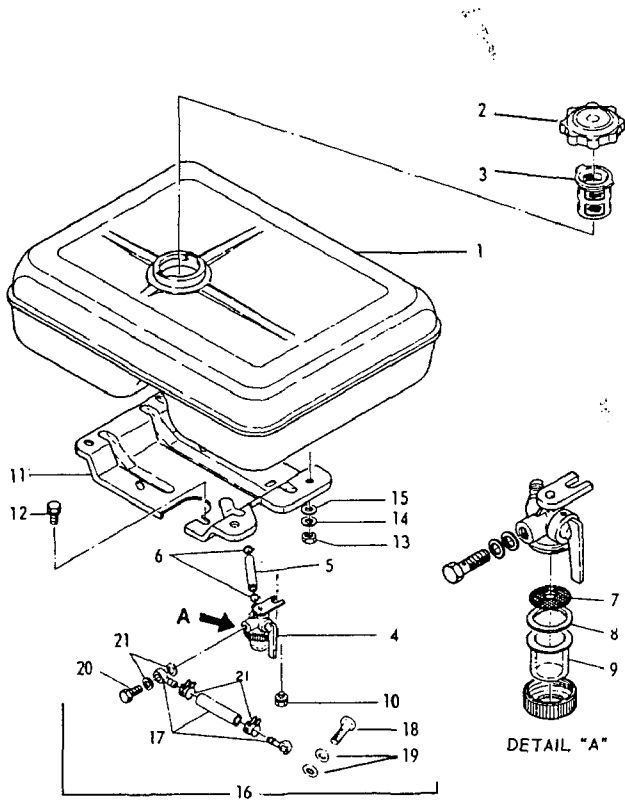
Ref. No.	Part Number	Description	Qty.	Ref. No.	Part Number	Description	Qty.
1	EY2095120307	<b>FLYWHEEL SHROUD</b> ..... "Prime" paint	1	10	EY0011008160	<b>SCREW</b> , wire and muffler bracket mtg. 8 mm x 16 mm long. hex. head	2
2	EY0110060020	<b>SCREW</b> , 6 mm x 8 mm long. hex head 4-for flywheel shroud mounting 4-for muffler cover mounting	8	11	EY2083011131	<b>EXHAUST MUFFLER</b> .....	1
3	EY0662000011	<b>STOP BUTTON</b> assembly .....	1	12	EY2083420331	<b>COVER</b> , exhaust muffler .....	1
4	EY0150040010	<b>SCREW</b> , stop button mounting .....	2	13	EY2085630107	<b>STATIONARY SCREEN</b> .....	1
5	EY2147320101	<b>IGNITION WIRE</b> , stop button .....	1	14	EY2093600103	<b>BRACKET</b> , muffler support .....	1
6	EY2095260113	<b>BAFFLE</b> , cylinder head .....	1	15	EY0011106120	<b>SCREW</b> , pulley guard mounting .....	5
7	EY2095270007	<b>BAFFLE</b> , cylinder .....	1			<b>OLD DESIGN</b> (Previous to S/N X-7240)	
8	EY0043106100	<b>SCREW</b> , cylinder baffle mounting .....	2	17	EY2095420211	<b>STARTING PULLEY</b> .....	1
9	EY2084420301	<b>BRACKET</b> , remote gov. control .....	1	18	EY0016508120	<b>SCREW</b> , starting pulley mounting .....	3
				19	EY2095660101	<b>PULLEY GUARD</b> .....	1
				20	EY2095670101	<b>BRACKET</b> , pulley guard .....	1

*When ordering parts: Always give Model, Specification and Serial Numbers of engine.*

Fig. 6

**FUEL TANK Group**

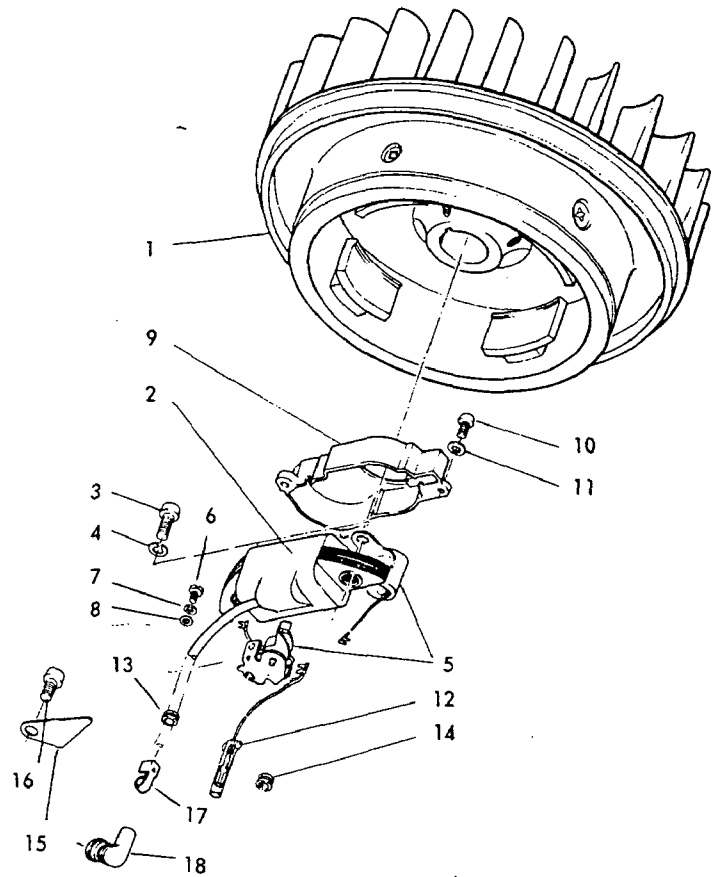
For Model EY 44W



NOTE: Items without a part number are not sold separately.

**MAGNETO Group**

Fig. 7



Ref. No.	Part Number	Description	Qty.
1	EY2096010137	<b>FUEL TANK</b> assembly - includes	1
2	EY0430430015	CAP assembly	1
3	EY0641360010	FILTER SCREEN	1
4	EY2099900437	<b>FUEL STRAINER</b> assem. - includes:	1
5		FUEL LINE	1
6	EY0561110020	CLAMP, fuel line	2
7	EY0642000220	SCREEN	1
8	EY0642000230	GASKET	1
9	EY0642001610	BOWL, glass	1
10	EY0011106120	<b>SCREW - WASHER</b> assembly Fuel strainer mtg., 6 x 12 mm hex.	1
11	EY2086160113	<b>BRACKET</b> , fuel tank	1
12	EY0011408160	<b>SCREW - WASHER</b> bracket to head mtg. 8 mm x 16 mm long, hexagon head	4
13	EY0022808000	<b>NUT</b> , tank to bracket mounting 8 mm thread, hexagon steel	4
14	EY0032008000	<b>WASHER</b> , tank and bracket mounting 8 mm, spring lock	4
15	EY0031008000	<b>WASHER</b> , tank and bracket mounting 8 mm I.D., plain steel	4
16	EY2096230327	<b>CONNECTOR KIT</b> for fuel line Consisting of:	1
17	EY2086260141	FUEL LINE assem.	1
18	EY2096233508	BANJO BOLT, carb.	1
19	EY2076234508	GASKET, carb. bolt	2
21		HOSE CLAMPS	2

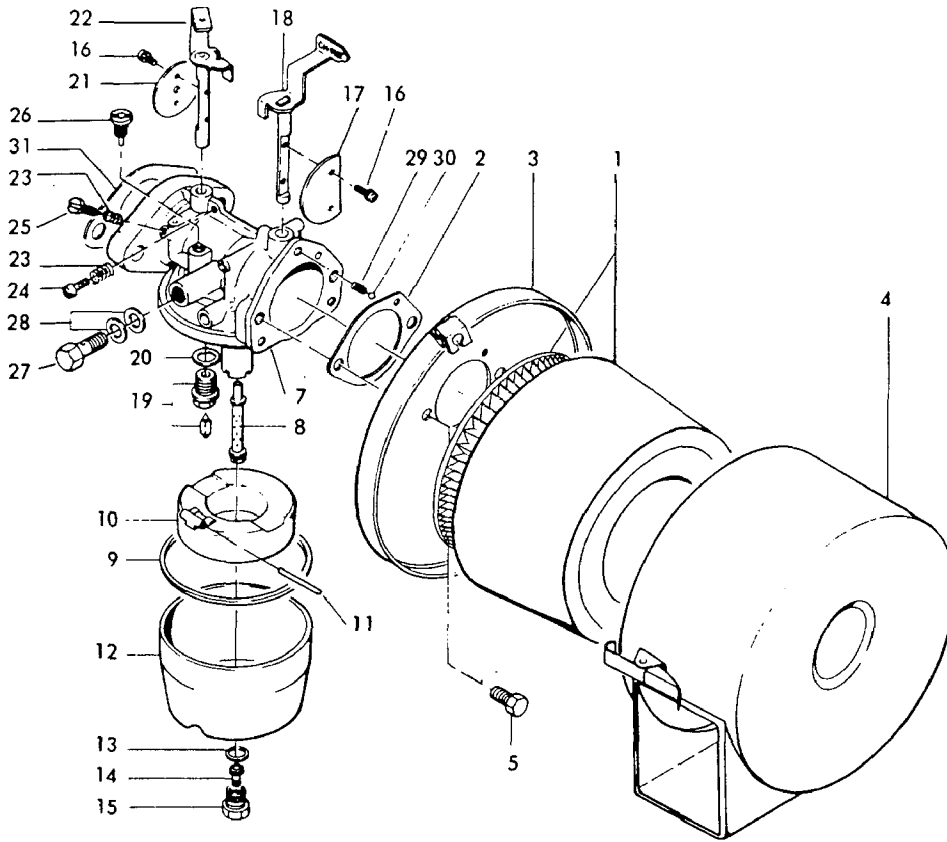
Ref. No.	Part Number	Description	Qty.
1	EY2097010218	<b>FLYWHEEL</b>	1
2	EY2097013118	<b>IGNITION COIL</b> with cable	1
3	EY0043506250	<b>SCREW</b> , ignition coil mounting 6 mm x 25 mm long, pan head	2
5	EY2097010237	<b>POINTS and CONDENSER KIT</b>	1
•	EY2097010337	<b>HARDWARE SET</b> for breaker point mounting. Consisting of:	
6		<b>SCREW</b> , point bracket mounting 4 mm x 8 mm long, pan head	1
7		<b>WASHER</b> , point bracket 4 mm, spring lock	1
8		<b>WASHER</b> , point bracket mounting 4 mm, plain steel	1
9		<b>POINT COVER</b>	1
10		<b>SCREW</b> , point cover mounting 4 mm x 25 mm long, pan head	1
11		<b>WASHER</b> , point cover, 4 mm, spr. lock	1
12		<b>LEAD WIRE</b>	1
13	EY0241080060	<b>GROMMET</b> , ignition wire	1
14	EY0241100020	<b>GROMMET</b> , ignition wire	1
15	EY2087600101	<b>CLAMP</b> , ignition wire	1
16	EY0043106100	<b>SCREW</b> , clamp mounting 6 mm x 10 mm long, pan head	1
17	EY0655000100	<b>TERMINAL</b> , spark plug lead	1
18	EY0655000050	<b>CAP</b> , spark plug	1

When ordering parts: Always give Model, Specification and Serial Numbers of engine.



**CARBURETOR and AIR CLEANER Group**  
For Model EY44W

Fig. 8



NOTE: Items without a part number are not sold separately.

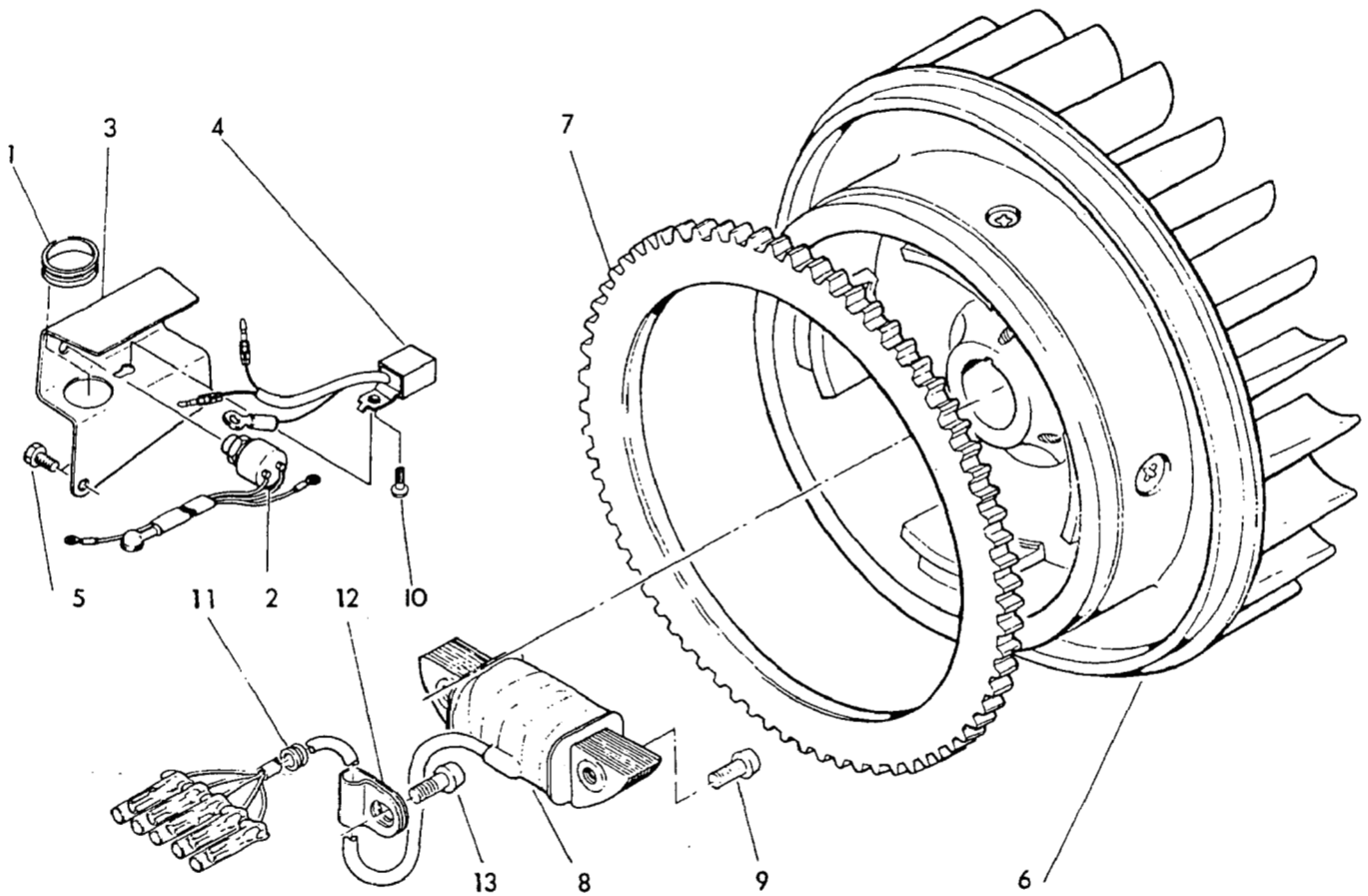
Ref. No.	Part Number	Description	Qty.	Ref. No.	Part Number	Description	Qty.
•	EY2093262100	<b>AIR CLEANER</b> assembly ..... Beginning with S/N X-7240 EY2093260620 before S/N X-7240 consisting of:	1	17	EY2096252508	<b>CHOKE VALVE</b> .....	1
1	EY2093262007	<b>ELEMENT</b> , Beg. with S/N X-7240 .....	1	18	EY2096252008	<b>CHOKE SHAFT</b> .....	1
2	EY2093260808	<b>GASKET</b> (also in engine gasket set) ...	1	19	EY2096230208 †	<b>FUEL VALVE and SEAT</b> assembly .....	1
3		<b>BODY</b> .....	1	20	†*	<b>GASKET</b> , valve seat .....	1
4		<b>COVER</b> .....	1	21		<b>THROTTLE VALVE</b> .....	1
5	EY0011006120	<b>SCREW</b> , air cleaner mounting .....	2	22	EY2096253008	<b>THROTTLE SHAFT</b> .....	1
7	EY2096230300	<b>CARBURETOR</b> assembly .....	1	23	EY2096244508	<b>SPRING</b> , throt. stop and pilot screws	2
8		(Includes Items 8 thru 30)		24	EY1066239308	<b>SCREW</b> , throttle stop .....	1
9	†*	<b>GASKET</b> , float chamber .....	1	25	†	<b>PILOT SCREW</b> .....	1
10	EY2096250508	<b>FLOAT</b> .....	1	26	†	<b>PILOT JET</b> .....	1
11	†	<b>FLOAT PIN</b> .....	1	27		<b>BANJO BOLT</b> , fuel line .....	1
12		<b>FLOAT CHAMBER</b> .....	1	28		<b>GASKET</b> , fuel line bolt .....	2
13	†*	<b>WASHER</b> , jet holder .....	1			For replacement of BOLT and GASKET - order EY2096230317, connector kit (Fig. 6. Ref. 16, page 7).	
14	EY2096230308	<b>MAIN JET</b> .....	1	29		<b>SPRING</b> , choke retainer .....	1
14A	EY1266240108	<b>MAIN JET</b> , high alt., 4000-7000 ft. ....	1	30		<b>STEEL BALL</b> , choke retainer .....	1
15		<b>HOLDER</b> , main jet .....	1	31	EY2093600303	<b>GASKET</b> , flange †* .....	1
16	†	<b>SCREW</b> , choke and throttle valve .....	4	•	EY2096230107	<b>REPAIR KIT</b> , carburetor † Parts included in kit.	
		3 mm x 5 mm long, pan head		•	EY2096230207	<b>GASKET SET</b> , carburetor * Parts included in set.	

When ordering parts: Always give Model, Specification and Serial Numbers of engine.

Fig. 9

**FLYWHEEL Group**  
For STARTING MOTOR and CHARGING CIRCUIT

Model EY44W



NOTE: Items without a part number are not sold separately.

†† Part used previous to Serial No. X-7240

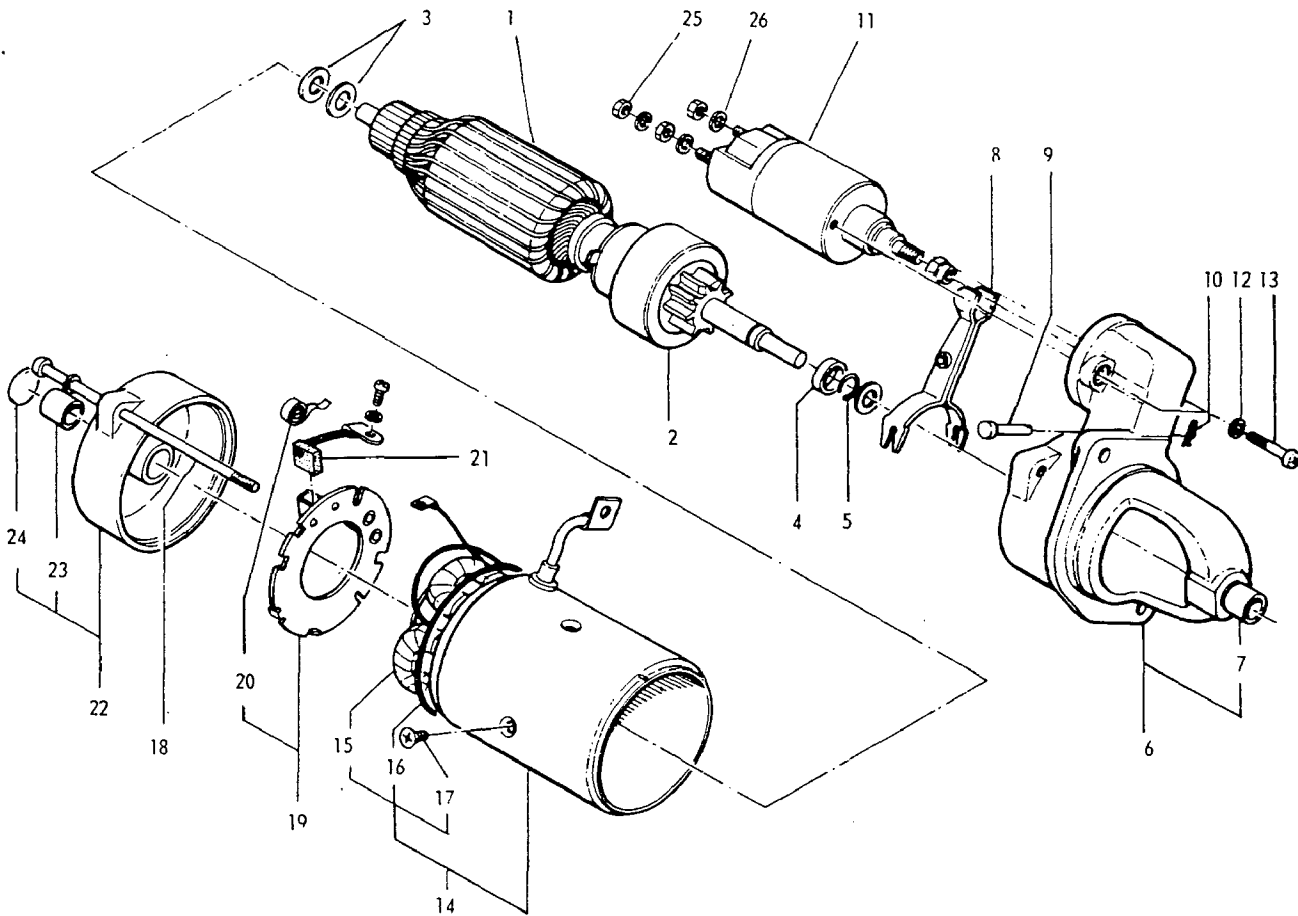
Ref. No.	Part Number	Description	Qty.	Ref. No.	Part Number	Description	Qty.
1	EY0241200020	GROMMET, rectifier wire .....	1	8	EY2097014408	CHARGING COIL with cable .....	1
2	EY2097250501	STARTER BUTTON assembly .....	1			††EY2097010118 if still avail.	
		†† EY2087310111		9	EY0043506250	SCREW, coil mounting .....	2
		Includes:				6 mm x 30 mm long, pan head	
		LEAD WIRE UNIT, starter .....	1	10	EY0017006080	SCREW, rectifier .....	1
3	EY2087150111	BRACKET, rectifier and switch .....	1				
		††EY2097152001		11	EY0241100010	GROMMET, coil wire .....	1
4	EY2097140101	DIODE RECTIFIER .....	1	12	EY0566100021	CLAMP, coil wire .....	1
		Beginning with S/N X-7240					
		EY2087130101 Selenium rectifier		13	EY0043106100	SCREW, clamp mounting .....	1
		previous to S/N X-7240				6 mm x 10 mm long, pan head	
5	EY0016508120	SCREW, rectifier bracket mounting ....	2				
		8mm x 12 mm long, hexagon head					
		††EY0016508160					
6	EY2099901707	FLYWHEEL assembly .....	1				
		Includes:					
7		EY2087100213 RING GEAR .....	1				

When ordering parts: Always give Model, Specification and Serial Numbers of engine.

# ELECTRIC STARTING MOTOR

For Model EY44W

Fig. 10



NOTE: Items without a part number are not sold separately.

Ref. No.	Part Number	Description	Qty.	Ref. No.	Part Number	Description	Qty.
●	EY 2087050210	STARTING MOTOR complete .....	1	14		FRAME and FIELD assembly .....	1
		Consisting of the following Service Parts:		15		(Includes items 15, 16, 17) FIELD COIL assembly .....	1
1	EY2087051108	ARMATURE assembly .....	1	16		INSULATOR, field coil .....	1
2	EY2087050208	DRIVE ASSBLY., over-running clutch	1	17		SCREW, pole core .....	4
3		WASHER, thrust .....	2	18		THROUGH BOLT .....	2
4	EY2087050508	COLLAR, clutch stop .....	1	19	EY 2087053108	PLATE, brush holder, assembly .....	1
5	EY2087050608	SNAP RING, stop collar .....	1			(Includes item 20)	
6		HOUSING ASSEMBLY, drive .....	1	20	EY2087050908	BRUSH SPRING .....	2
7	EY2087050408	(Includes items 7 thru 10) BEARING, oilless .....	1	21	EY2089901607	BRUSH SET (2 brushes) .....	1
8		LEVER, pinion drive .....	1	22		COVER, commutator end, assembly ..	1
9		PIN, lever fulcrum .....	1			(Includes items 23, 24)	
10		SNAP RING, lever fulcrum pin .....	1	23	EY2087050808	BEARING, oilless .....	1
11	EY2087050308	MAGNETIC SWITCH, assembly .....	1	24	EY2087050708	COVER, bearing .....	1
12		WASHER, magnetic switch mounting ..	2	25		NUT, magnetic switch terminal .....	3
13		6 mm, spring lock SCREW, magnetic switch mounting ....	2	26		8 mm, 1.25 pitch, hexagon WASHER, magnetic switch terminal ..	3
		6 mm x 21.5 mm long, pan head				8 mm, spring lock	

When ordering parts: Always give Model, Specification and Serial Numbers of engine.