

**Robin Industrial Engines®**

# **OEM PARTS MANUAL**

**Model**

**EC01R HOFFCO**

1193M324



**ROBIN AMERICA, INC.**  
**ROBIN TO WISCONSIN ROBIN**  
**ENGINE MODEL CROSS REFERENCE LIST**

ROBIN

WISCONSIN ROBIN

SIDE VALVE

EY08	W1-080
EY15	W1-145
EY15V	W1-145V
EY20	W1-185
EY20V	W1-185V
EY23	W1-230
EY28	W1-280
EY35	W1-340
EY40	W1-390
EY45V	W1-450V
EY21	EY21W
EY44	EY44W
EY18-3	EY18-3W
EY25	EY25W
EY27	EY27W

OVERHEAD VALVE

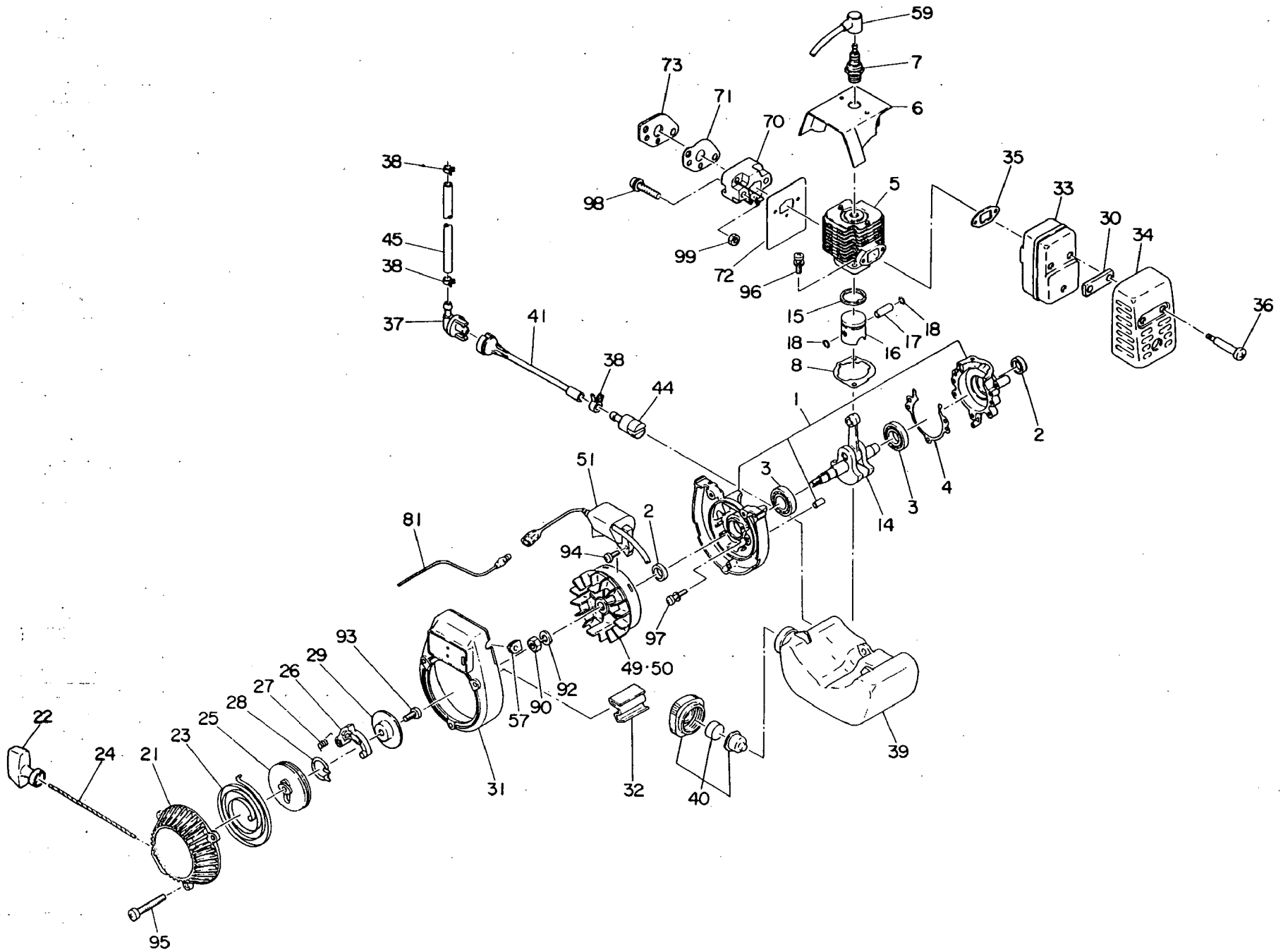
EH11	W01-115
EH12	W01-120
EH15	W01-150
EH17	W01-170
EH21	W01-210
EH25	W01-250
EH30	W01-300
EH30V	W01-300V
EH34	W01-340
EH34V	W01-340V
EH43V	W01-430V

TWO CYCLE

EC13V	WT1-125V
-------	----------

DIESEL

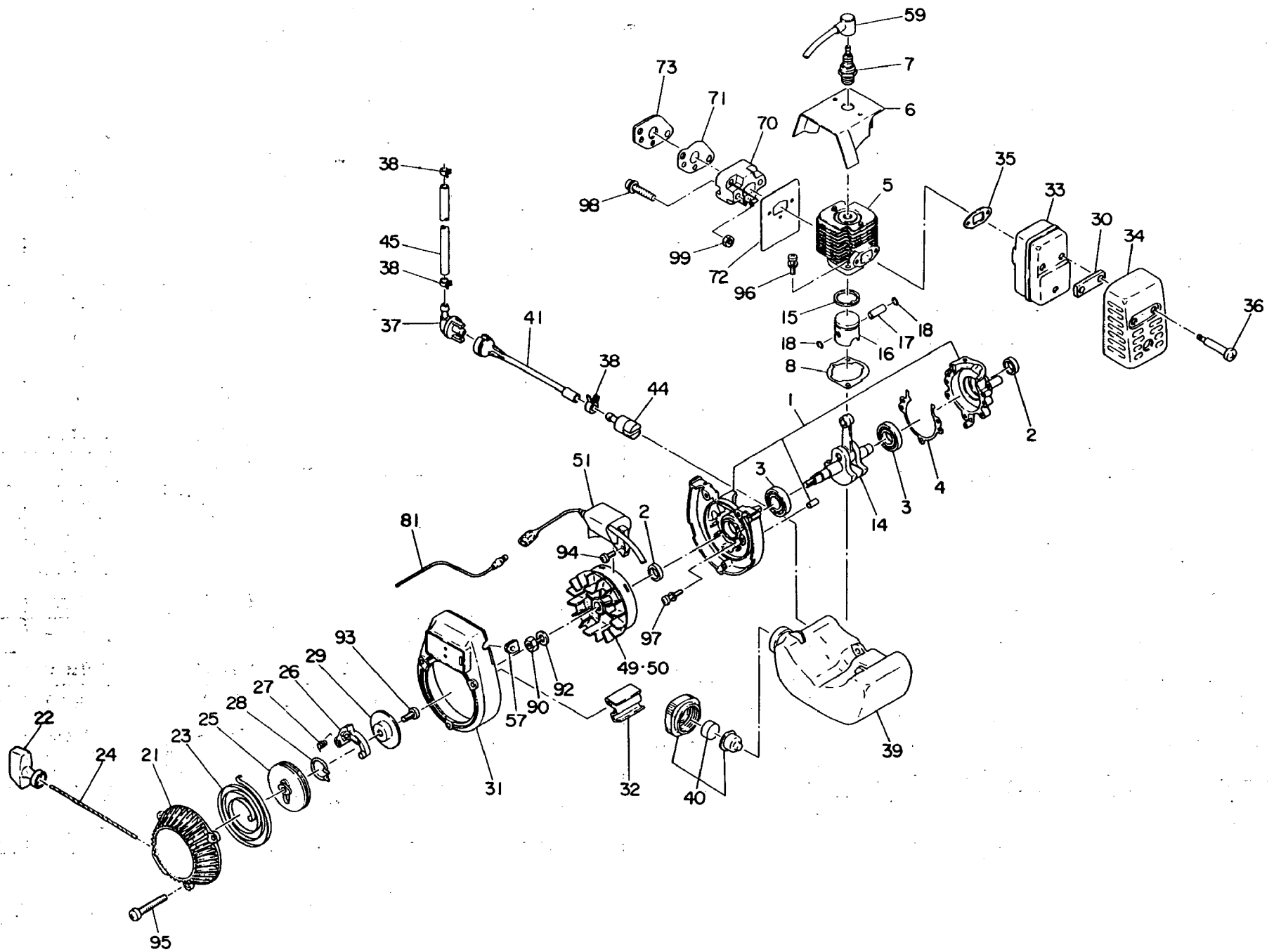
DY23	WRD1-230
DY27	WRD1-270
DY30	WRD1-300
DY35	WRD1-350
DY41	WRD1-410



## 1. ENGINE

↵ Interchangeability

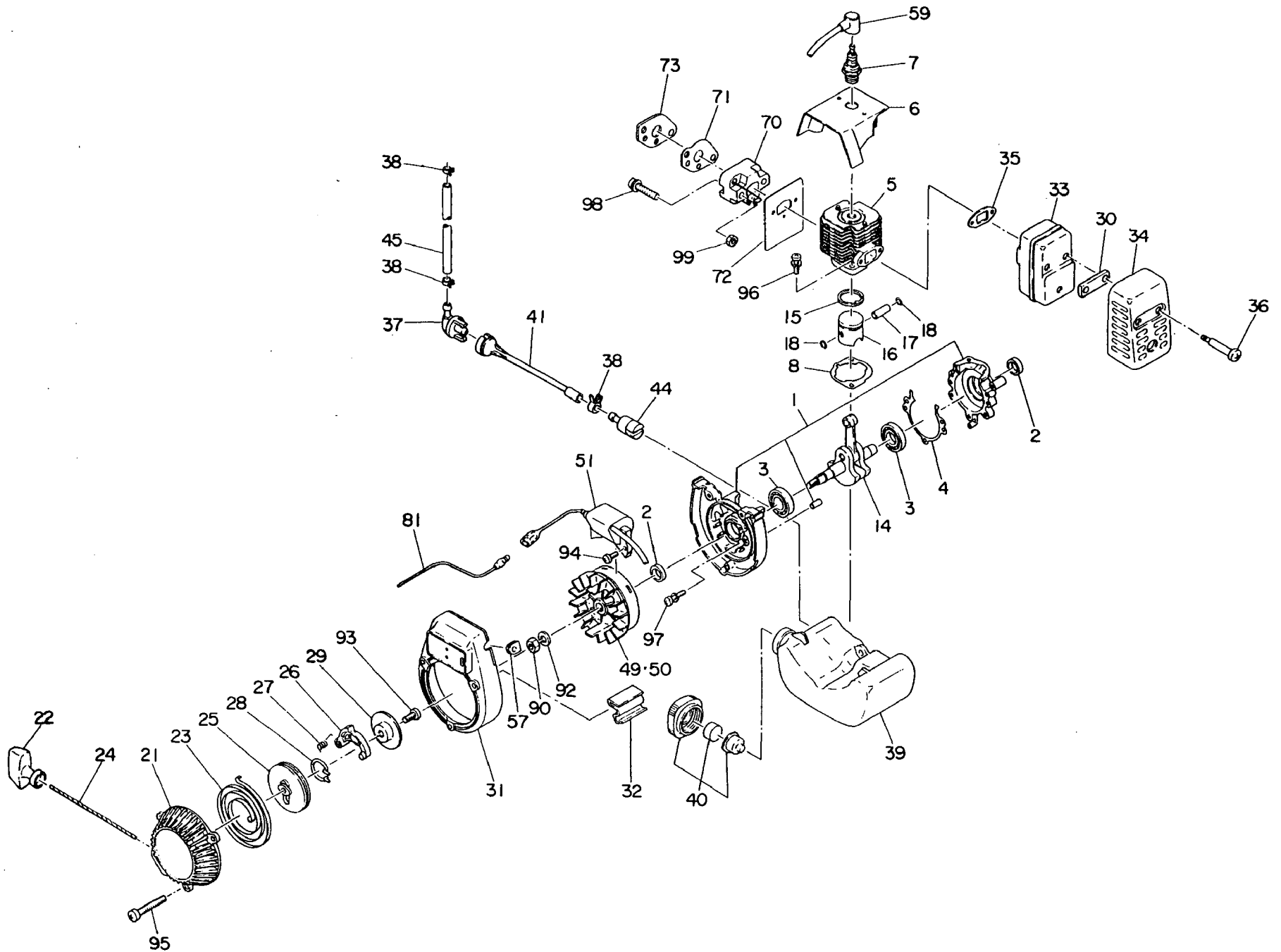
Ref. No.	Part Number	Part Name	Qty		Description	FOB JAPAN IN U.S. \$
• 1	EC01A-0099	CRANKCASE COMPL.	1		Incl. 2-4	
2	044 01299 91	OIL SEAL	2		EC03-111A TC12227	
3	060 01299 20	BALL BEARING	2		EC02-130 6001C3	
4	EC01A-1031B	PACKING (crankcase)	1	↵		
4	EC01A-1031A	PACKING (crankcase)	1	↵		
5	EC01A-1020D	CYLINDER	1	↵		
5	EC01A-1020C	CYLINDER	1	↵		
6	EC01A-5010A-D	CYLINDER COVER	1	↵		
6	EC01A-5010-D	CYLINDER COVER	1	↵		
7	065 01498 10	SPARK PLUG	1		EC04-701	
8	EC01A-1030B	PACKING (cylinder)	1	↵		
8	EC01A-1030A	PACKING (cylinder)	1	↵		
• 14	EC01R-0202	CRANKSHAFT COMPL.	1		Incl. 15-18	
15	EC01A-2031/1	PISTON RING	1	↵		
15	EC01A-2031	PISTON RING	1	↵		
16	EC01A-2030	PISTON	1			
17	EC01A-2032	PISTON PIN	1			
18	EC01A-2033	CLIP	2			
• 21	EC01R-0501B	RECOIL STARTER COMPL.	1	↵	Incl. 22-29	
• 21	EC01R-0501	RECOIL STARTER COMPL.	1	↵	Incl. 22-29	
22	A57200100001	STARTER KNOB	1			
23	A60002600100	SPIRAL SPRING	1			
24	A57100890000	STARTER ROPE	1			
25	A54102600200	REEL	1			
26	A55002610000	RATCHET	1			



## 1. ENGINE

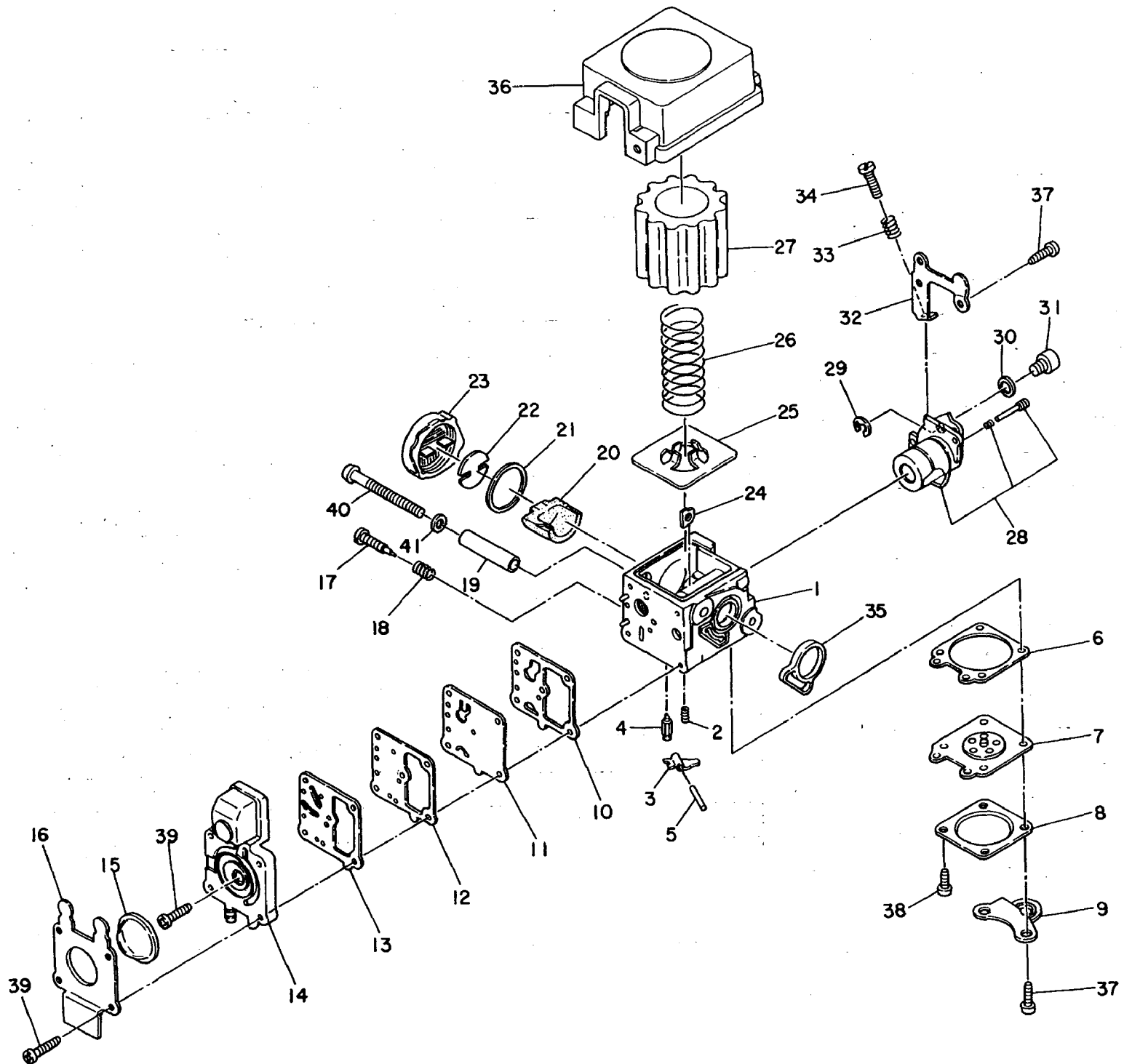
↵ Interchangeability

Ref. No.	Part Number	Part Name	Qty	Description	FOB JAPAN IN U.S. \$
27	A60503210000	RETURN SPRING	1		
28	A60102600000	FRICTION SPRING	1		
29	A56002600291	FRICTION PLATE	1		
30	BC01A-3075	MUFFLER COVER (insulator)	1		
31	BC01A-5001A	FAN COVER	1		
32	BC01A-5015	PLATE	1		
33	BC01A-0396-TA	MUFFLER COMPL.	1		
34	BC01R-3001A	MUFFLER COVER	1		
35	BC01A-3020A	GASKET (muffler)	1		
35	BC01A-3020	GASKET (muffler)	1		
36	BC01A-3070A	BOLT (muffler)	2		
37	BC03F-6130	CONNECTOR (fuel)	1		
38	BC01A-6070	HOSE CLAMP	3		
38	BC04-6122	HOSE CLAMP	3		
39	BC01A-6010A	FUEL TANK	1		
39	BC01A-6010	FUEL TANK	1		
40	BC02-0668A	FUEL TANK CAP COMPL.	1		
40	BC02-0668	FUEL TANK CAP COMPL.	1		
41	BC03F-6101A	RUBBER TUBE	1		
44	BC03F-6120	FILTER	1		
45	BC01A-6031	FUEL PIPE	1		
49	BC01R-0703A	MAGNETO COMPL.	1	Incl. 50, 51	
50	111002300	FLYWHEEL ASSY	1		
51	114003010	IGNITION COIL	1		





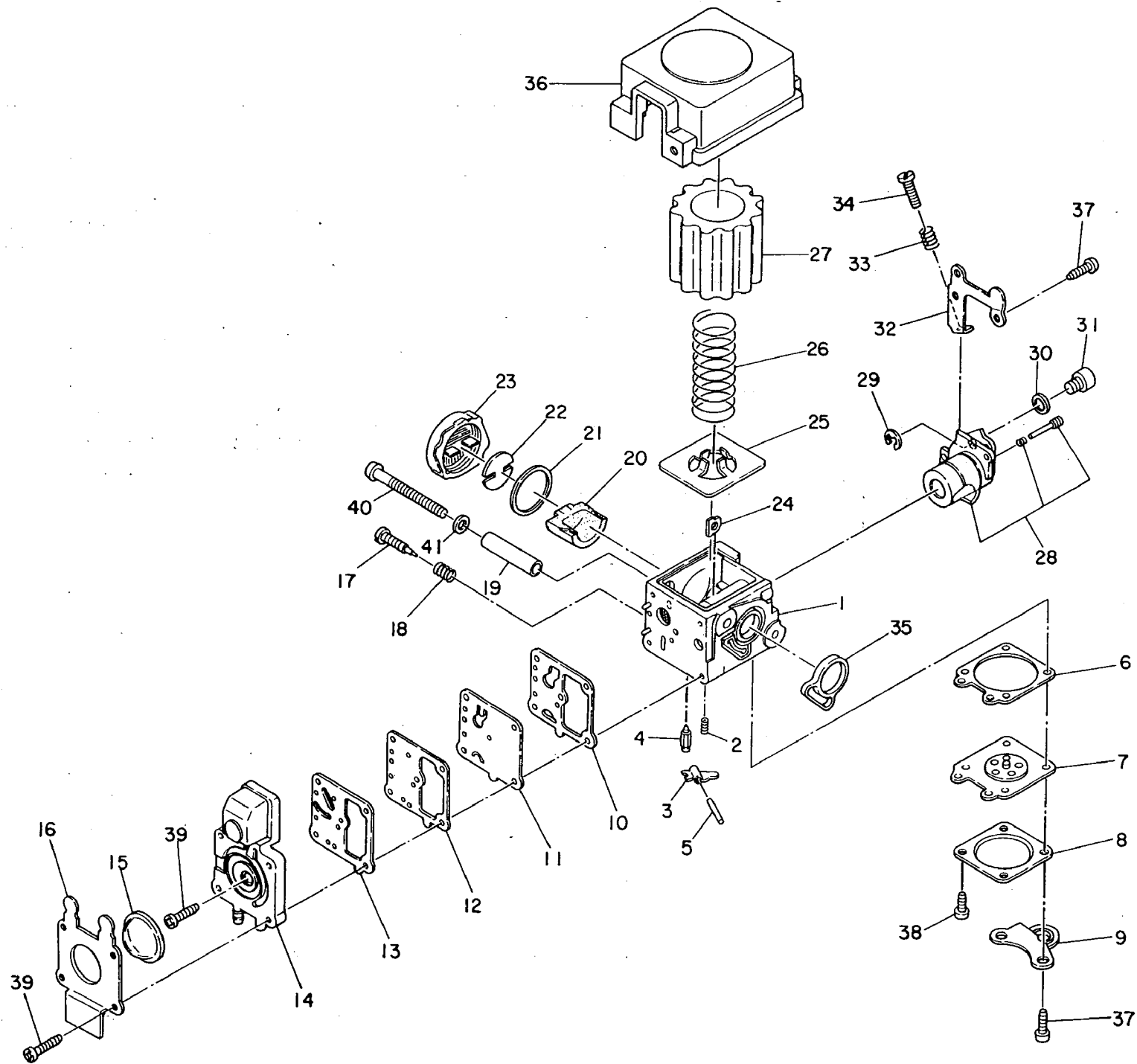




2. CARBURETOR and AIR CLEANER

↵Interchangeability

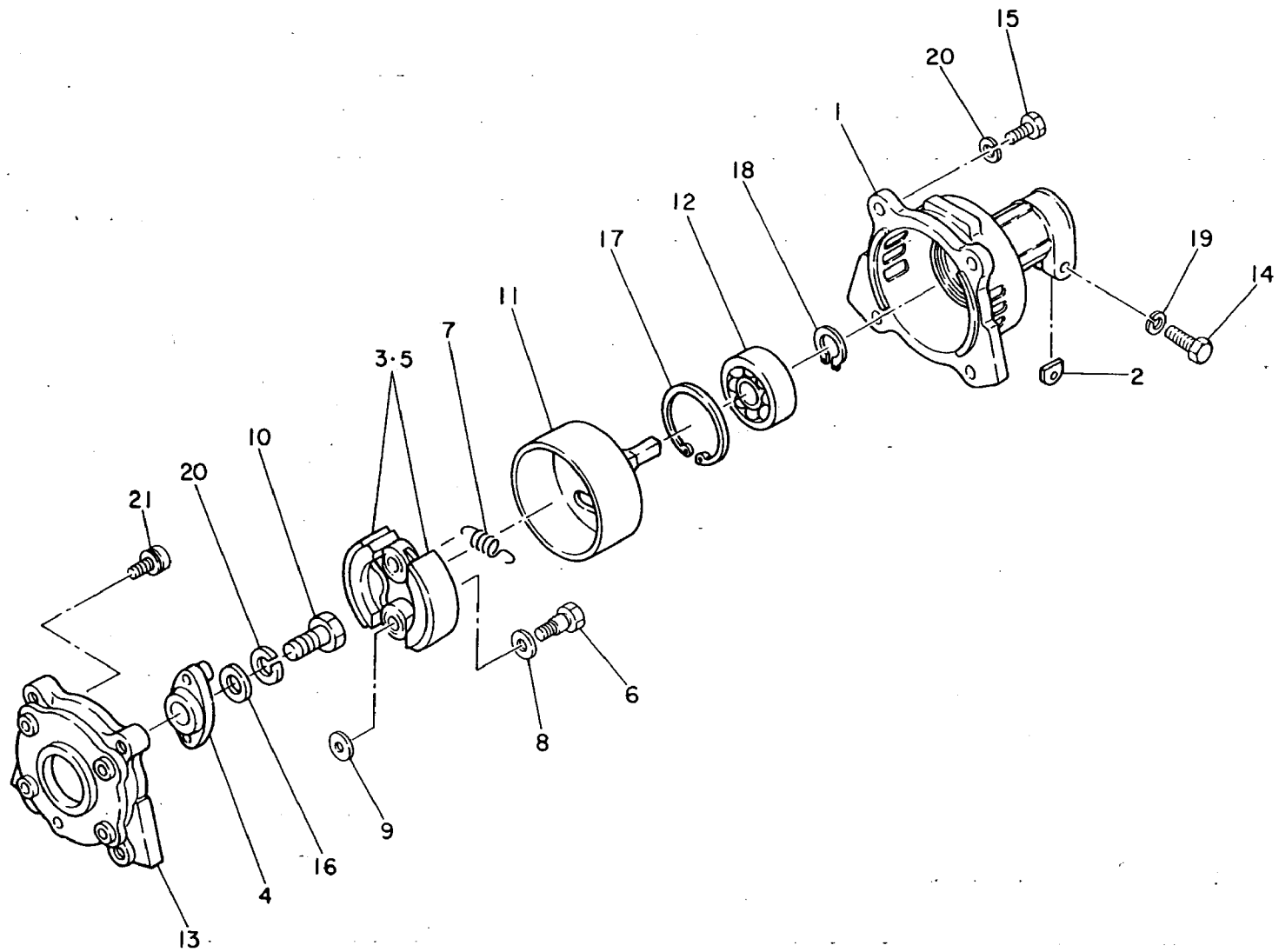
Ref. No.	Part Number	Part Name	Q'ty		Description	FOB JAPAN IN U.S.⌘
• 1	EC01R-0602A	CARBURETOR COMPL.	1	↵	Incl.2-39	
• 1	EC01R-0602	CARBURETOR COMPL.	1		Incl.2-39	
2	98-189	SPRING (metaling lever)	1			
3	166-48	METALING LEVER	1			
4	82-67	INLET NEEDLE VALVE	1			
5	144-77	PIN (metaling lever)	1			
6	92-146	GASKET (metaling diaphragm)	1			
7	95-526	METALING DIAPHRAGM ASSY	1			
8	21-158	COVER (metaling diaphragm)	1			
9	167-86	BRACKET (cable)	1			
10	92-223	GASKET (pump)	1			
11	95-88	PUMP DIAPHRAGM	1			
12	157-275	PLATE (pump)	1			
13	92-250	GASKET (plate)	1			
14	21-790	PUMP COVER ASSY	1			
15	188-11	PRIMER PUMP	1			
16	167-88	BRACKET (primer pump)	1			
17	102-328	NEEDLE (hi-speed)	1			
18	98-438	SPRING (needle)	1			
19	122-157	SLEEVE (mounting)	2			
20	125-53	WICK (filter)	1			
21	92-242	GASKET (intake cap)	1			
22	157-292	PLATE (wick)	1			
23	25-71	CAP (intake)	1			
24	157-263	PLATE (mounting sleeve)	2			



'85-10

ECOIR

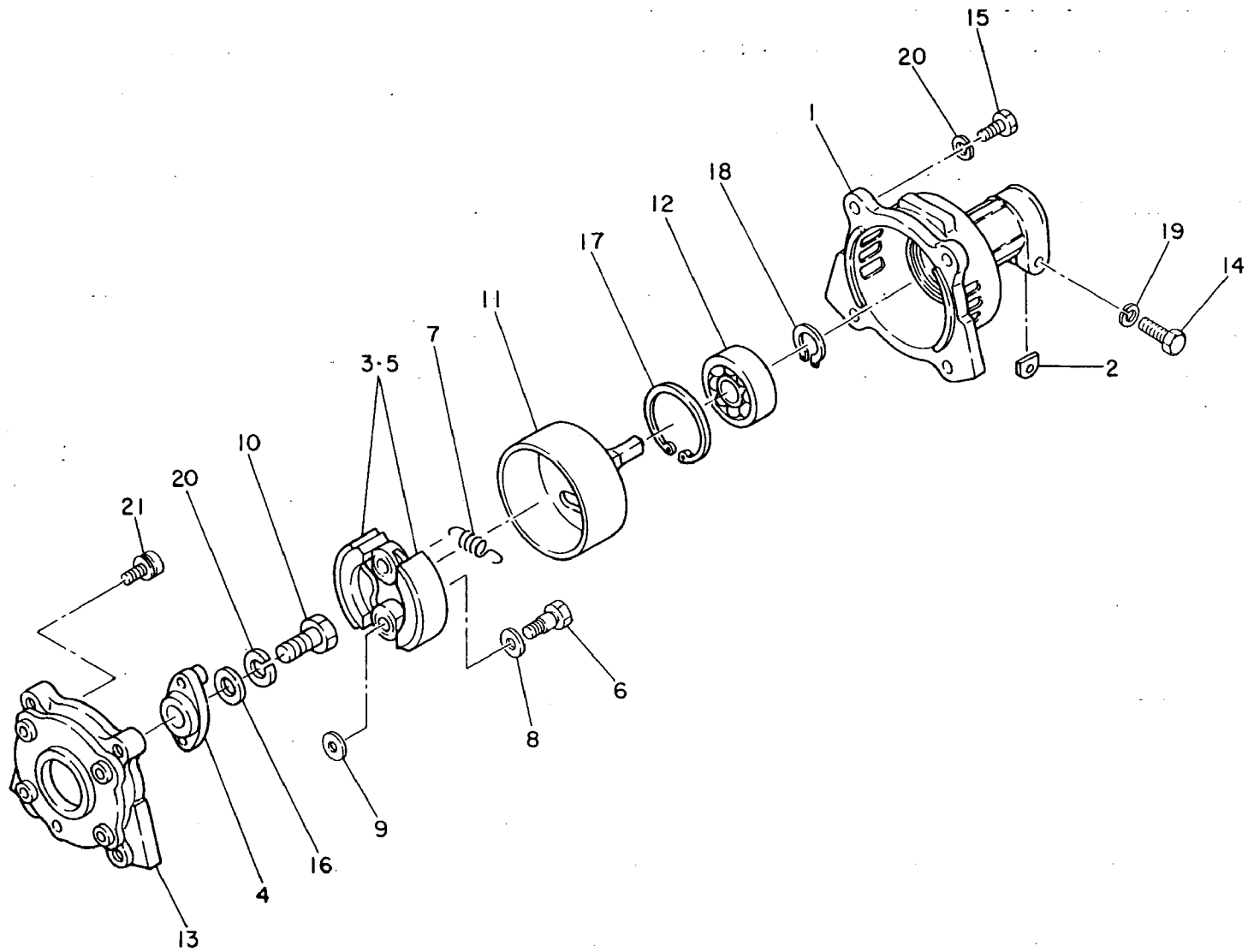




3. CLUTCH

↵Interchangeability

Ref. No.	Part Number	Part Name	Q'ty		Description	FOB JAPAN IN U.S.\$
1	EC01R-8001B	PIPE CASE HOLDER	1			
1	EC01R-8001	PIPE CASE HOLDER	1	↵		
2	021 00699 70	GASKET (fiber)	1		NB16F-3106	
* 3	NB16-2051	CLUTCH COMPL.	1	↵	Incl.4-9	
* 3	NB02A-094C	CLUTCH COMPL.	1	↵	Incl.4-9	
4	NB02A-201A	RETAINER	1			
5	NB26-2102	SHOE	2	↵		
5	NB02A-202B	SHOE	2	↵		
6	NB26-2103	BOLT	2	↵		
6	NB02A-203A	BOLT	2	↵		
7	NB16F-2104	SPRING	1	↵		
7	NB02A-204	SPRING	1	↵		
8	NB02A-206	WASHER	2			
9	NB02A-207	WASHER	2			
10	NB02A-205	BOLT	1			
11	EC01R-0802A	CLUTCH DRAM	1	↵		
11	EC01R-0802	CLUTCH DRAM	1	↵		
12	NB25-2115	BALL BEARING	1			
13	NB25-5103	COVER	1	↵		
13	NB02A-102	COVER	1	↵		
14	001 66062 50	BOLT	1			
15	001 66062 00	BOLT	4			
16	003 10060 00	WASHER	1			
17	003 14320 00	SNAP RING (inner)	1			
18	003 15120 00	SNAP RING (outer)	1			







## NOTES



**Robin America, Inc.**

940 Lively Blvd., Wood Dale, IL 60191 • Tel: (708) 350-8200 • Fax: (708) 350-8212