

ROBIN ENGINES

PARTS CATALOG

SPEC. No. EC030F00134

for LINDREY

ISSUE EMD-EP5663
ISSUE DATE 1997. 7.

FIG. 100

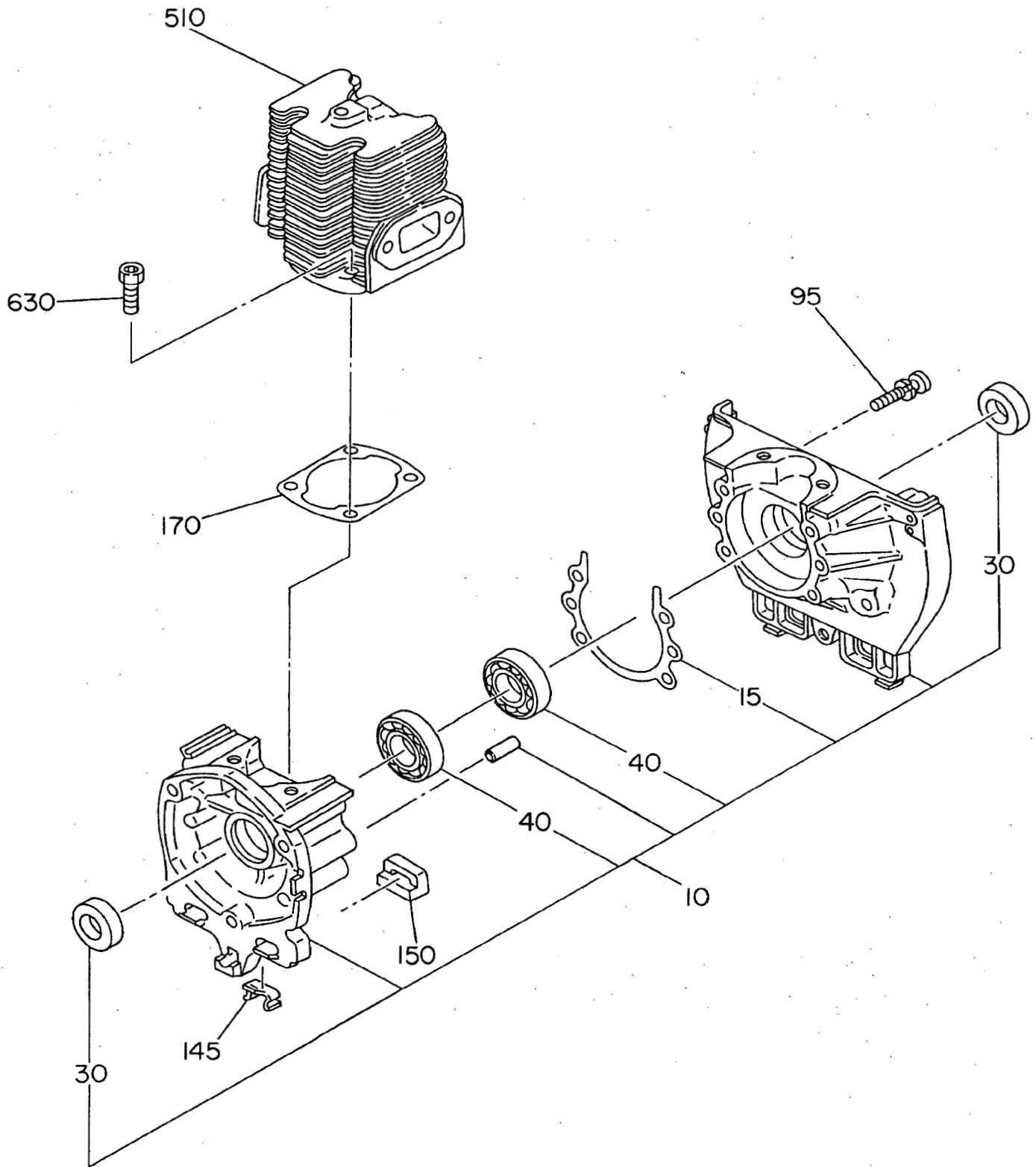


FIG. 200

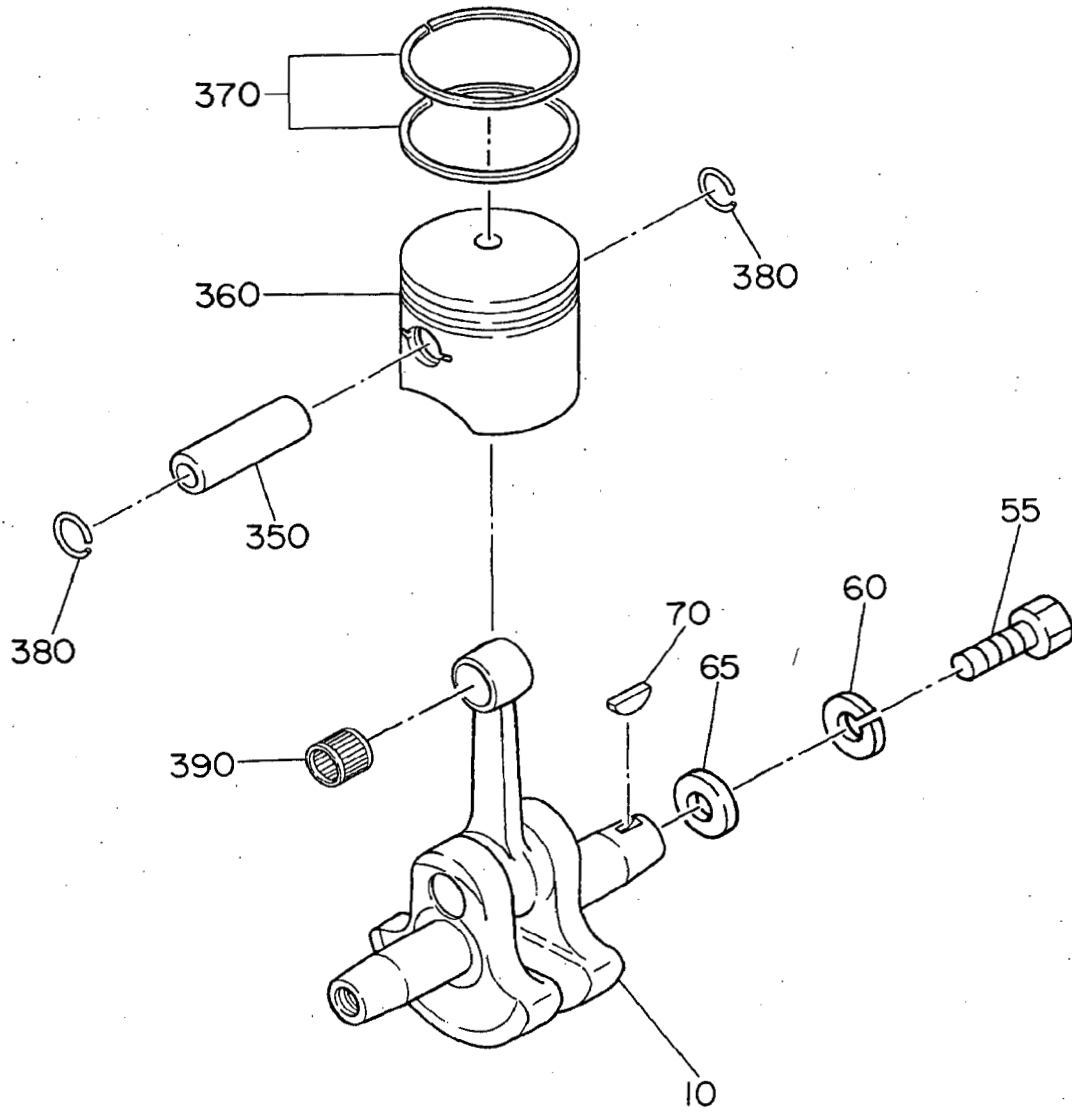


FIG. 300

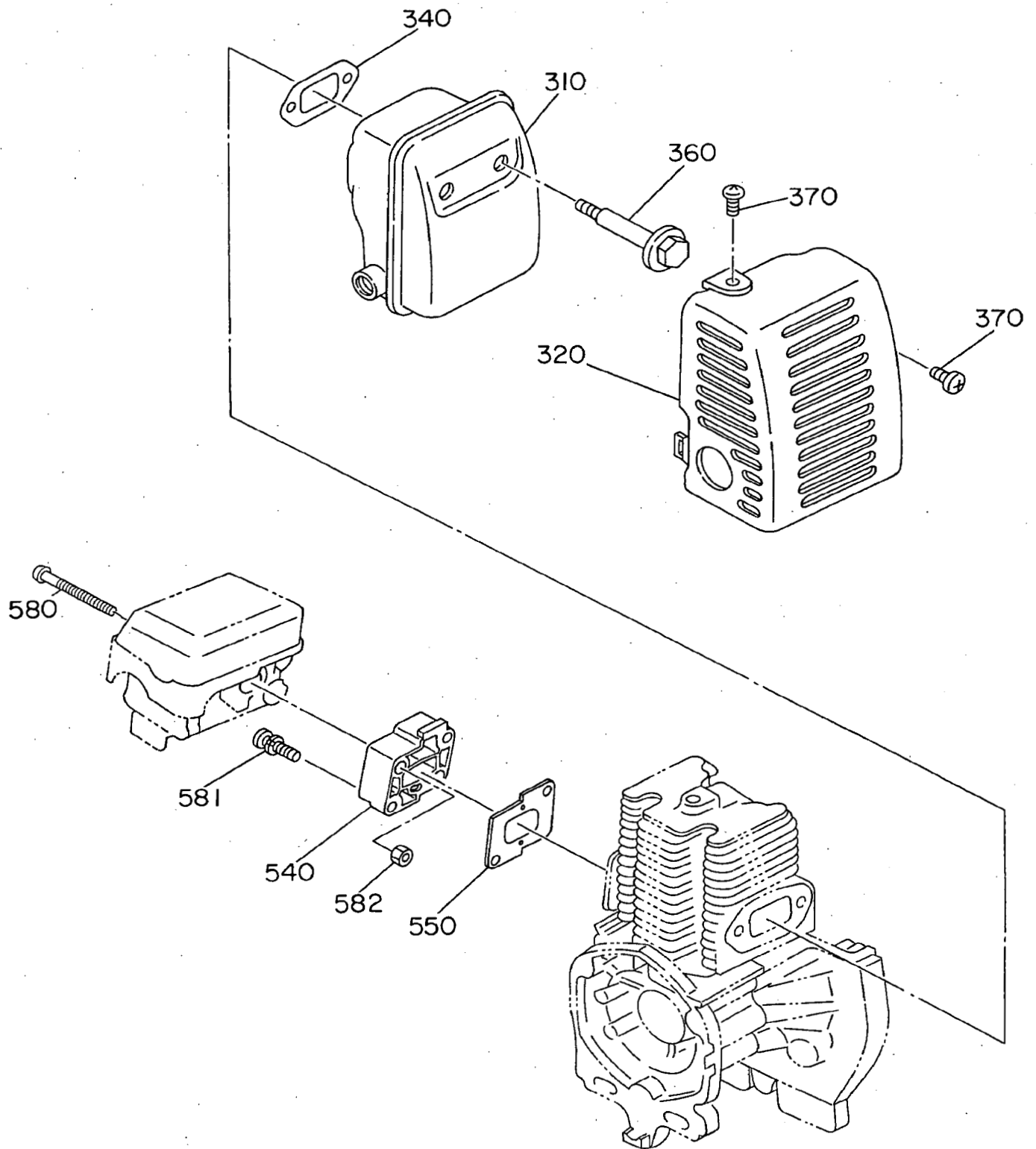
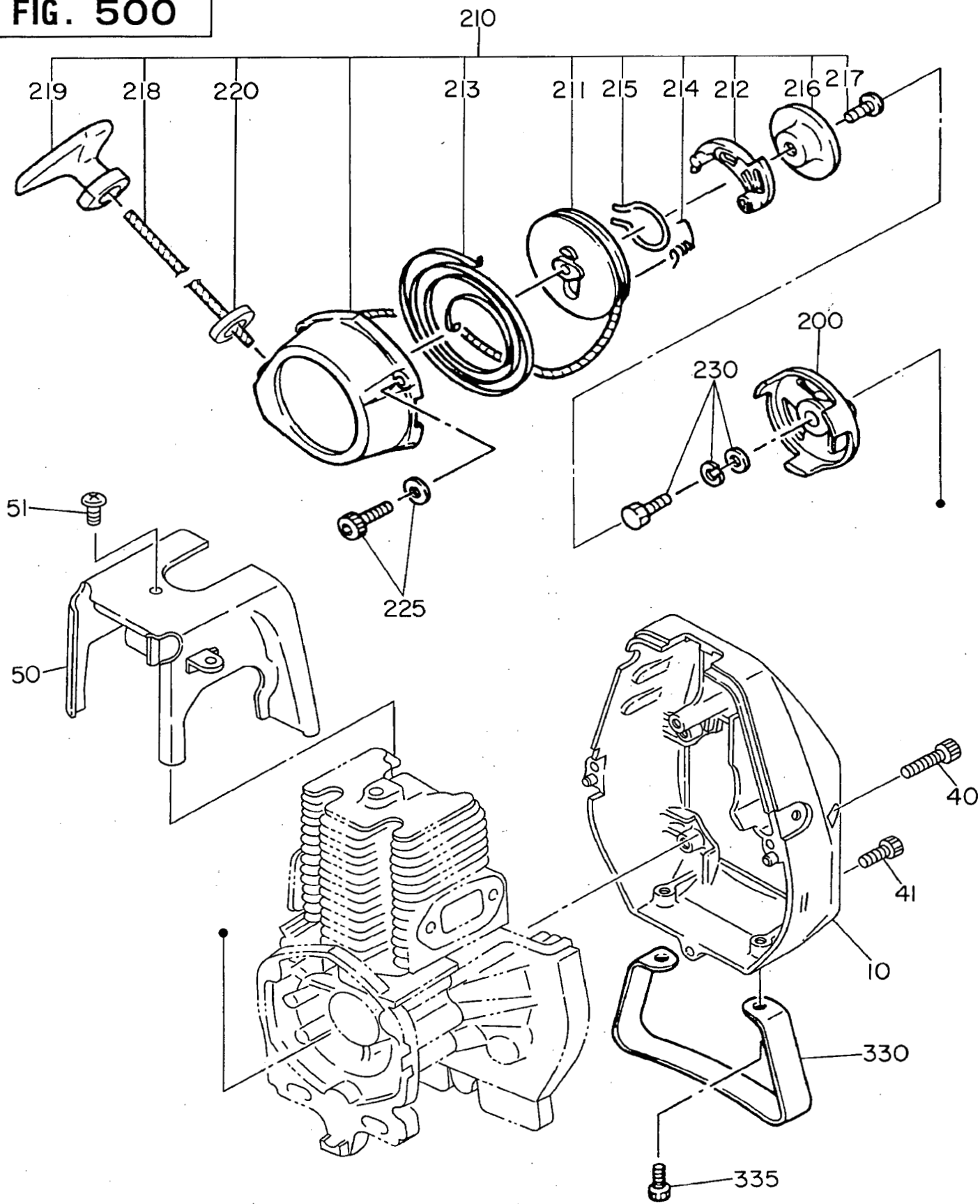


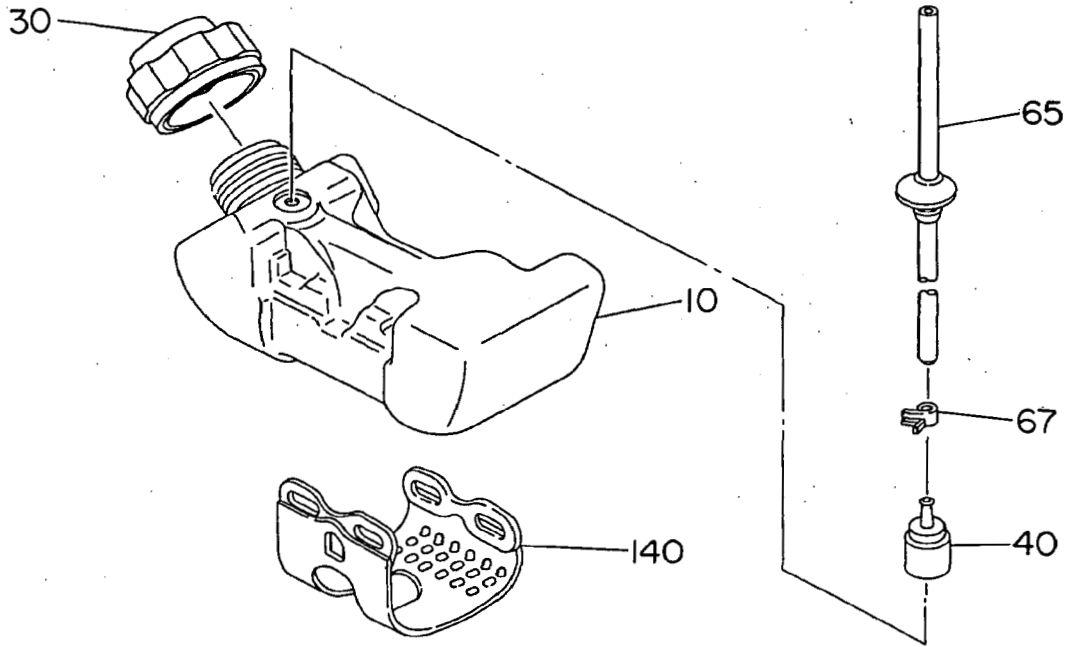
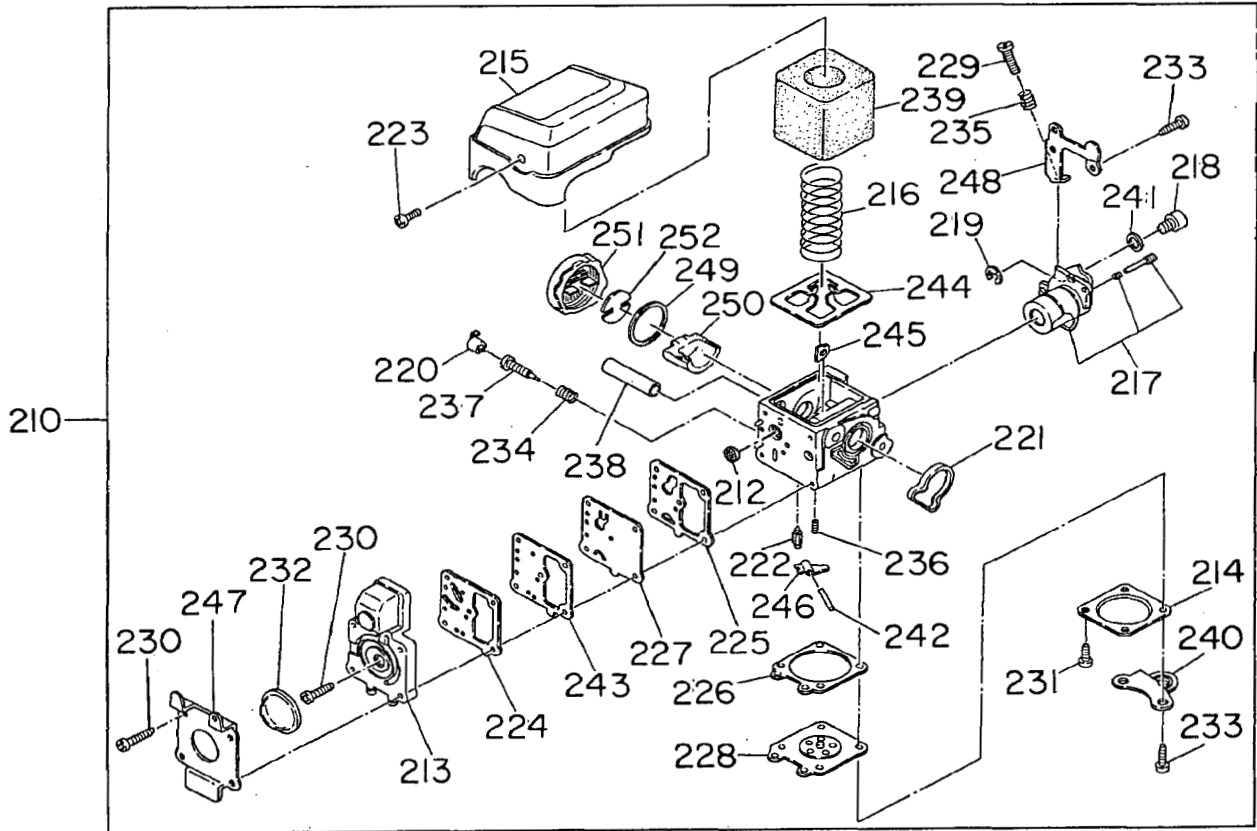
FIG. 500



5 RECOIL STARTER AY

REF.	PART NUMBER	PART NAME	QTY	REMARKS	CODE NO. FROM-TO	INTERCHANGEABLE PART NUMBER	UNIT PRICE	FIG.
10	531-55001-00	BLOWER HOUSING	1		-	EC03F-5102-D		500
40	011-90598-30	SOCKET HEAD BOLT	1		-			500
41	011-90599-50	BOLT	2		-	EC03-9301		500
50	531-55005-00	CYLINDER COVER	1		-	EC03F-5101/3A-D		500
51	014-00599-20	SCREW	1		-	EC03F-3998		500
200	531-55004-00	STARTER PULLEY	1		-	EC03F-5201/1A		500
210	531-50010-01	RECOIL STARTER AY	1		-			500
211	502-50010-10	REEL	1		-			500
212	510-50150-20	RATCHET	1		-			500
213	510-50150-40	SPIRAL SPRING	1		-			500
214	510-50150-60	RETURN SPRING	1		-			500
215	510-50150-50	FRICTION SPRING	1		-			500
216	550-50010-30	FRICTION PLATE	1		-			500
217	510-50151-10	SET SCREW	1		-			500
218	524-50010-50	STARTER ROPE	1		-			500
219	530-50021-10	STARTER KNOBE CP	1		-			500
220	524-50010-30	ROPE GUIDE	1		-			500
225	011-90599-50	BOLT	3		-	EC03-9301		500
230	620-20060-00	BOLT AY	1		-			500
330	630-55005-00	STAND	1		-	NB03D-5110B-SA		500
335	011-90599-00	BOLT, SOCKET HEAD	2		-			500

FIG. 600



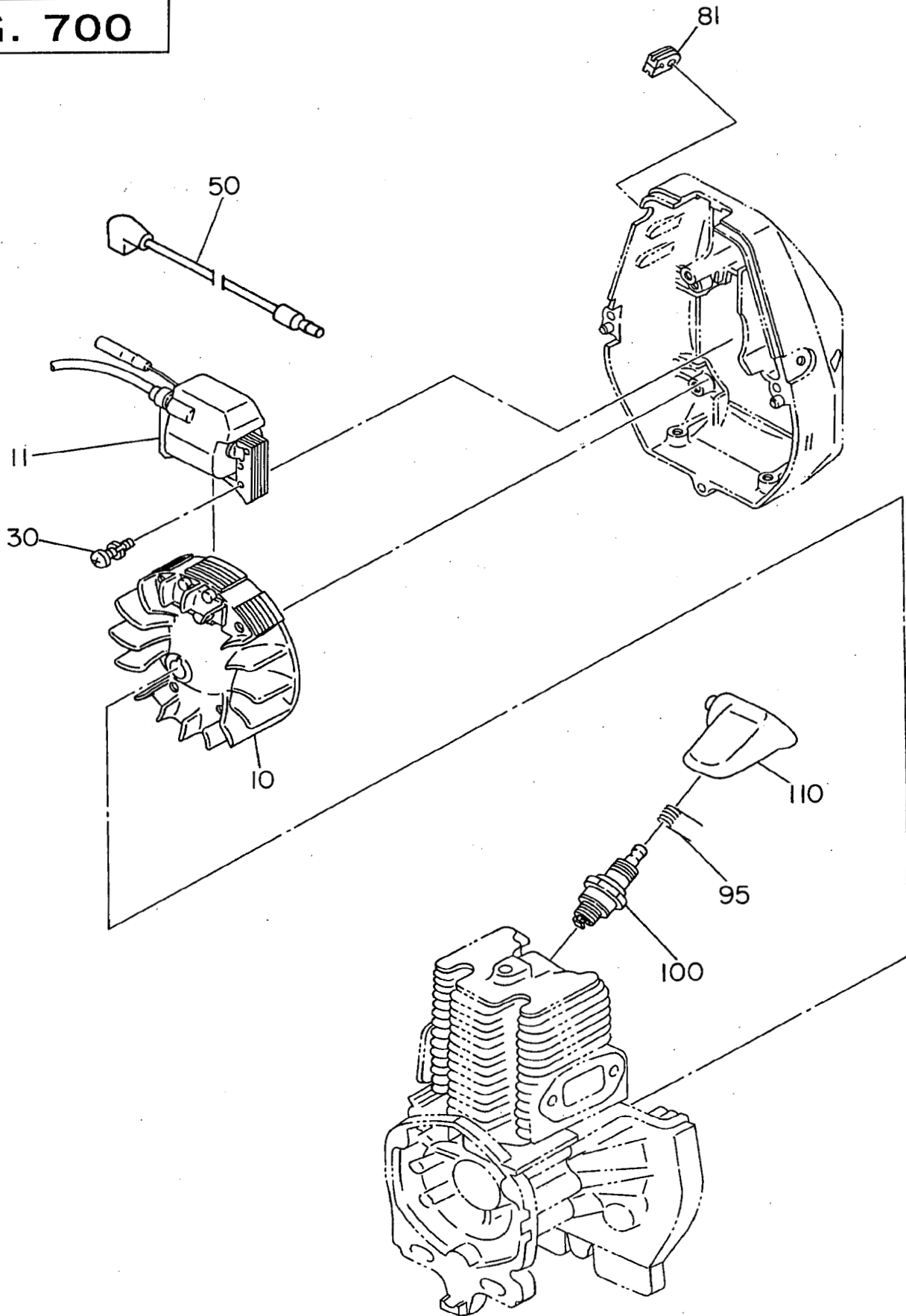
6 FUEL TANK, CARBURETOR

REF.	PART NUMBER	PART NAME	QTY	REMARKS	CODE NO. FROM-TO	INTERCHANGEABLE PART NUMBER	UNIT PRICE	FIG.
10	531-65000-00	FUEL TANK	1		-	EC03F-6001/2		600
30	531-60020-03	CAP	1		-			600
40	523-65039-00	FILTER	1		-			600
65	085-12099-80	TUBE CP	1		-	EC03F-0611		600
67	056-10599-90	HOSE CLAMP	1		-	EC01A-6070		600
140	531-60010-00	STRAP	1		-	EC03F-0601A-SA		600
210	531-60040-00	CARBURETOR AY	1		-	EC03F-0698		600
212	531-60050-10	INLET SCREEN	1		-			600
213	531-60050-20	PUMP COVER AY	1		-			600
214	531-60050-30	DIAPHRAGM COVER	1		-			600
215	531-60050-40	AIR CLEANER COVER	1		-			600
216	531-60050-50	FILTER SPRING	1		-			600
217	531-60050-60	THROTTLE VALVE AY	1		-			600
218	531-60051-10	SWIVEL	1		-			600
219	531-60051-20	RING	1		-			600
220	531-60051-30	NEEDLE STOP	1		-			600
221	531-60051-40	PACKING	1		-			600
222	531-60051-50	VALVE	1		-			600
223	531-60051-60	SCREW	2		-			600
224	531-60052-10	GASKET	1		-			600
225	531-60052-20	GASKET	1		-			600
226	531-60052-30	GASKET	1		-			600
227	531-60052-40	DIAPHRAGM	1		-			600
228	531-60052-50	DIAPHRAGM AY	1		-			600
229	531-60052-60	ADJUSTER SCREW	1		-			600
230	531-60053-10	SCREW	5		-			600
231	531-60053-20	SCREW	2		-			600
232	531-60056-20	PUMP PRIMER	1		-			600
233	531-60053-40	SCREW	4		-			600
234	531-60053-50	NEEDLE SPRING	1		-			600
235	531-60053-60	ADJUSTER SPRING	1		-			600
236	531-60054-10	SPRING	1		-			600
237	531-60054-20	NEEDLE	1		-			600
238	531-60054-30	MOUNTING SLEEVE	2		-			600
239	531-60054-40	AIR FILTER	1		-			600
240	531-60056-30	CABLE BRACKET	1		-			600

6 FUEL TANK, CARBURETOR

REF.	PART NUMBER	PART NAME	QTY	REMARKS	CODE NO. FROM-TO	INTERCHANGEABLE PART NUMBER	UNIT PRICE	FIG.
241	531-60054-60	WASHER	1		-			600
242	531-60055-10	PIN	1		-			600
243	531-60055-20	PLATE	1		-			600
244	531-60055-30	PLATE	1		-			600
245	531-60055-40	PLATE	2		-			600
246	531-60055-50	LEVER	1		-			600
247	531-60055-60	BRACKET	1		-			600
248	531-60056-10	BRACKET	1		-			600
249	531-60056-60	GASKET	1		-			600
250	531-60057-10	FILTER	1		-			600
251	531-60056-40	CAP	1		-			600
252	531-60056-50	PLATE	1		-			600

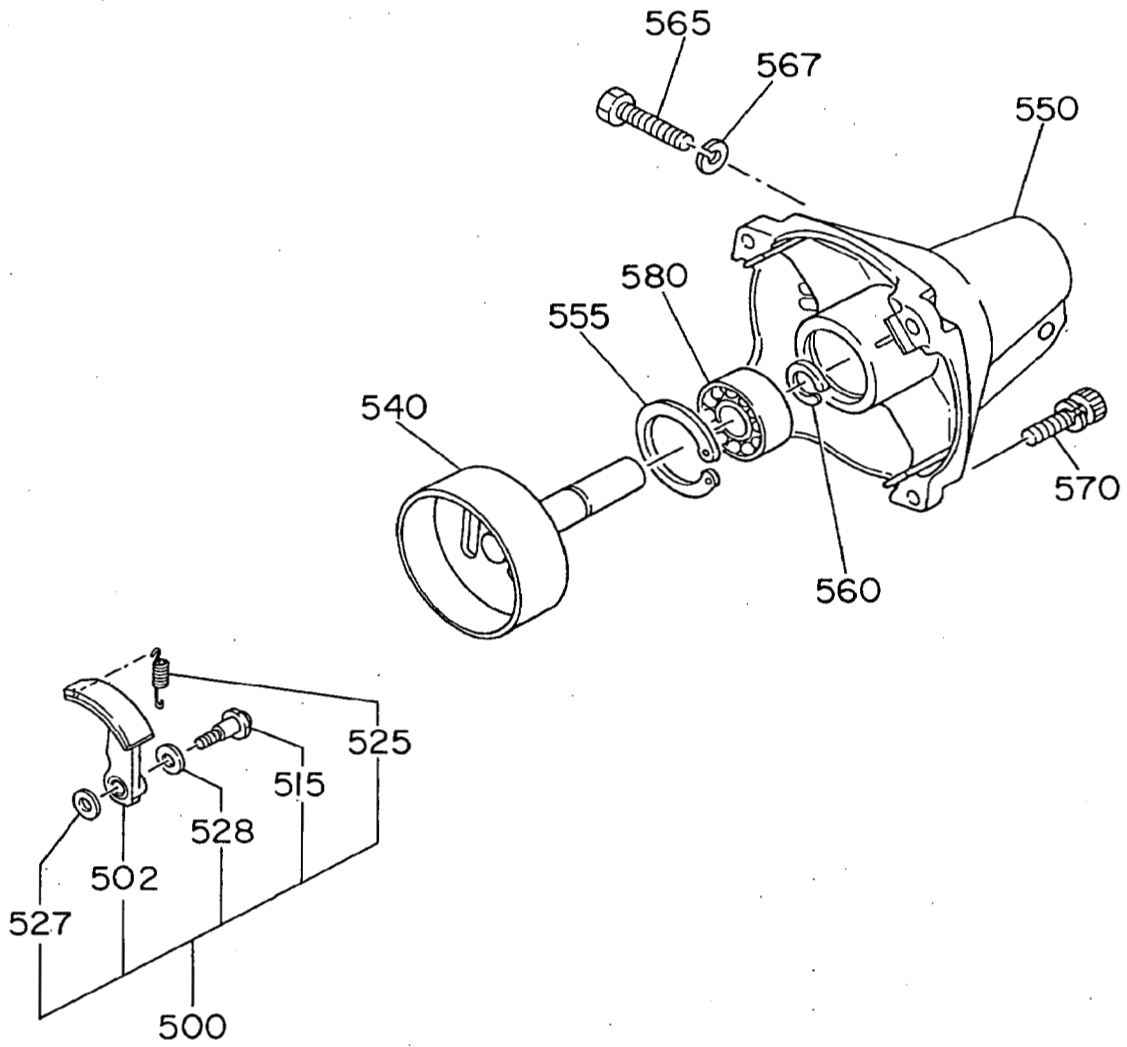
FIG. 700



7 MAGNETO

REF.	PART NUMBER	PART NAME	QTY	REMARKS	CODE NO. FROM-TO	INTERCHANGEABLE PART NUMBER	UNIT PRICE	FIG.
10	531-70040-10	FLYWHEEL	1		-			700
11	531-70040-20	IGNITION COIL	1		-			700
30	011-90597-30	SOCKET HEAD BOLT	2		-			700
50	531-70050-00	WIRE CP	1		-			700
81	531-75001-00	GROMMET	1		-	EC03F-7001A		700
95	065-40099-31	SPRING, PLUG CAP	1		-			700
100	065-01498-10	SPARK PLUG	1		-	EC04-701		700
110	531-75002-00	SPARK PLUG CAP	1		-			700

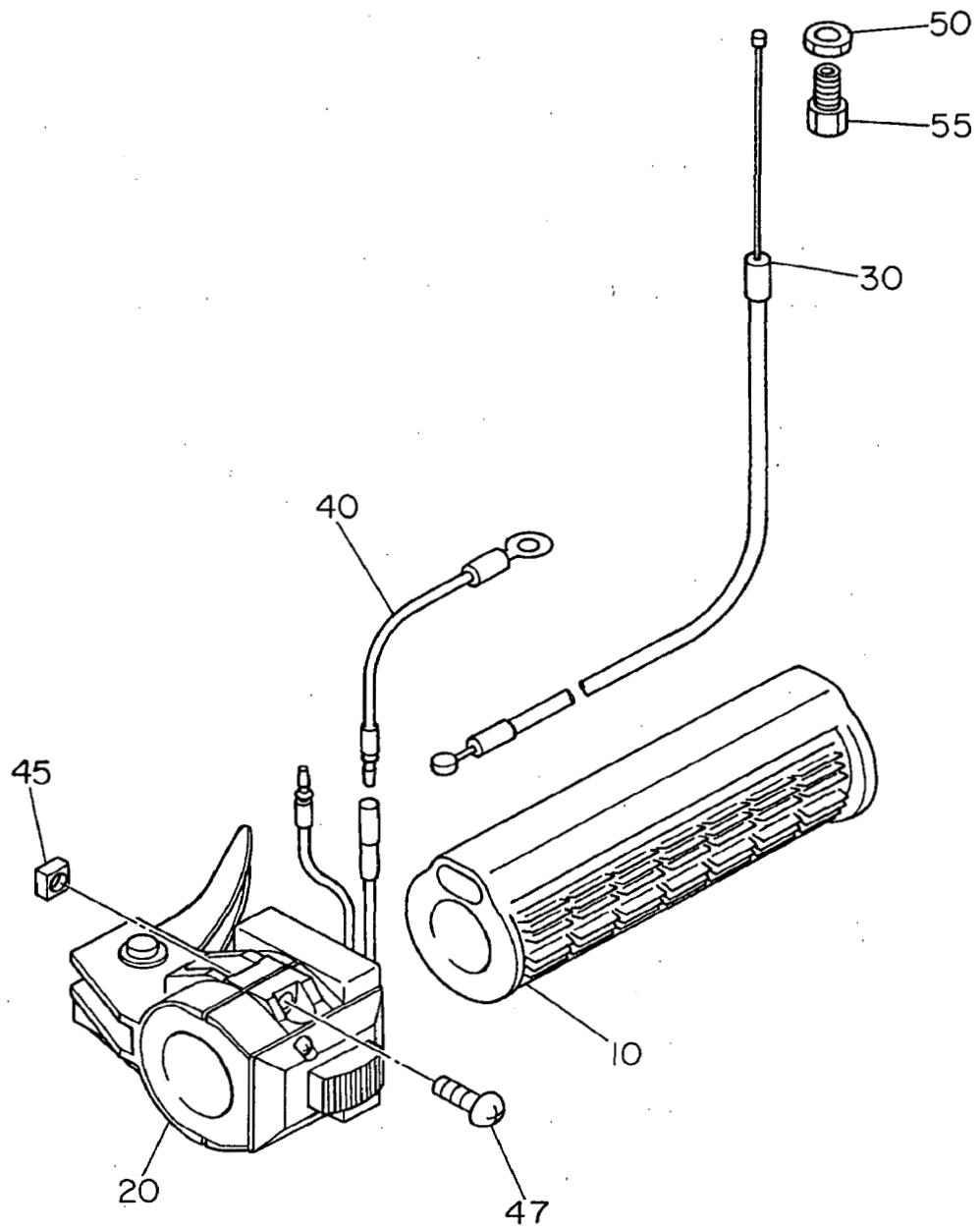
FIG. 800



8 CLUTCH

REF.	PART NUMBER	PART NAME	QTY	REMARKS	CODE NO. FROM-TO	INTERCHANGEABLE PART NUMBER	UNIT PRICE	FIG.
500	625-20040-00	CLUTCH CP	1		-	NB31-2051		800
502	640-25001-00	CLUTCH SHOE	3		-	NB04D-2103		800
515	625-25005-00	CLUTCH BOLT	3		-	NB31-2103		800
525	640-25003-00	SPRING	3		-	NB04D-2105		800
527	620-25006-00	WASHER	3		-	NB02A-207		800
528	020-00899-10	WASHER	3		-			800
540	531-80010-00	CLUTCH DRUM CP	1		-	EC03F-0801		800
550	531-85001-00	CLUTCH CASE	1		-	EC03F-8010-D		800
555	003-14320-00	SNAP RING, INNER	1		-			800
560	003-15120-00	SNAP RING	1		-			800
565	001-66062-50	BOLT	1		-			800
567	003-20060-00	SPRING WASHER	1		-			800
570	011-90599-50	BOLT	4		-	EC03-9301		800
580	060-01299-50	BALL BEARING	1		-			800

FIG. 1 000



10 OTHER PARTS

REF.	PART NUMBER	PART NAME	QTY	REMARKS	CODE NO. FROM-TO	INTERCHANGEABLE PART NUMBER	UNIT PRICE	FIG.
10	621-45004-00	GRIP	1		-			1000
20	625-50180-00	CONTROL LEVER	1		-			1000
30	621-55001-00	CONTROL CABLE	1		-			1000
40	616-55002-00	WIRE	1		-			1000
45	541-50011-60	NUT	1		-			1000
47	014-00598-10	SCREW	1		-			1000
50	531-60054-50	NUT	1		-			1000
55	521-60080-10	ADJUSTER SCREW	1		-			1000