

Robin Industrial Engines®

PARTS MANUAL

Model

EC03/04

1193P234



ROBIN AMERICA, INC.
ROBIN TO WISCONSIN ROBIN
ENGINE MODEL CROSS REFERENCE LIST

ROBIN

WISCONSIN ROBIN

SIDE VALVE

| | |
|--------|---------|
| EY08 | W1-080 |
| EY15 | W1-145 |
| EY15V | W1-145V |
| EY20 | W1-185 |
| EY20V | W1-185V |
| EY23 | W1-230 |
| EY28 | W1-280 |
| EY35 | W1-340 |
| EY40 | W1-390 |
| EY45V | W1-450V |
| EY21 | EY21W |
| EY44 | EY44W |
| EY18-3 | EY18-3W |
| EY25 | EY25W |
| EY27 | EY27W |

OVERHEAD VALVE

| | |
|-------|----------|
| EH11 | W01-115 |
| EH12 | W01-120 |
| EH15 | W01-150 |
| EH17 | W01-170 |
| EH21 | W01-210 |
| EH25 | W01-250 |
| EH30 | W01-300 |
| EH30V | W01-300V |
| EH34 | W01-340 |
| EH34V | W01-340V |
| EH43V | W01-430V |

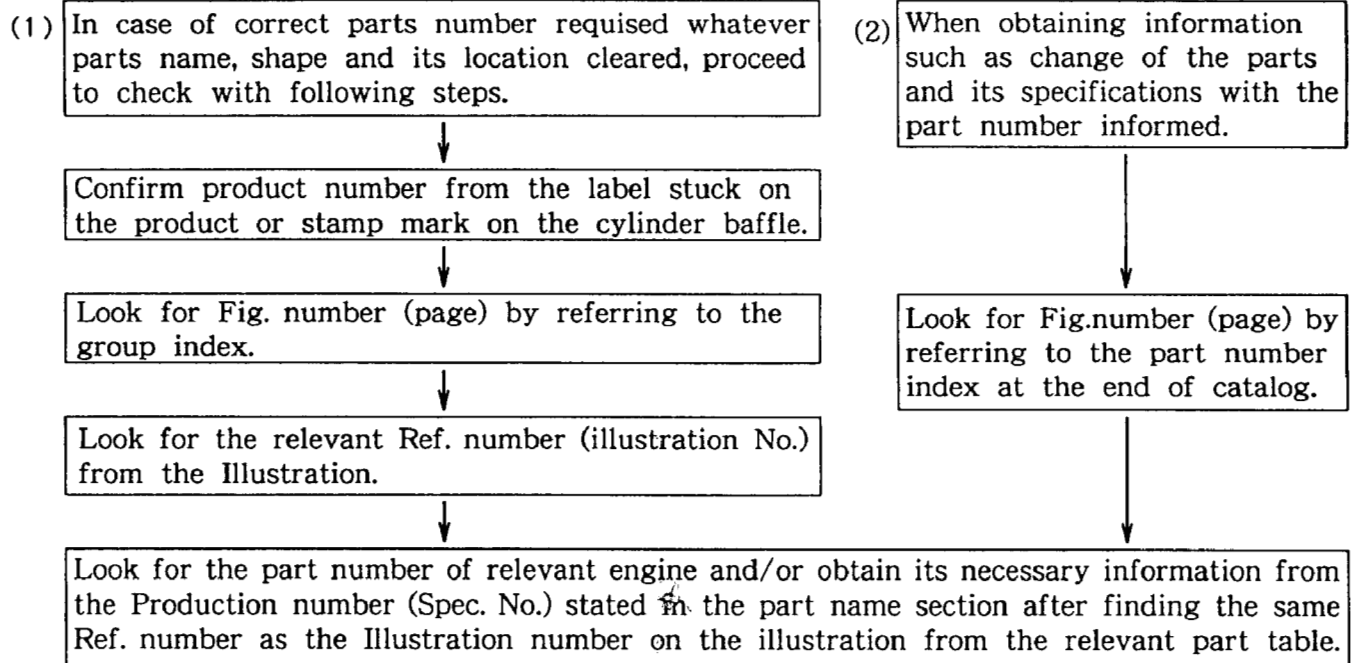
TWO CYCLE

| | |
|-------|----------|
| EC13V | WT1-125V |
|-------|----------|

DIESEL

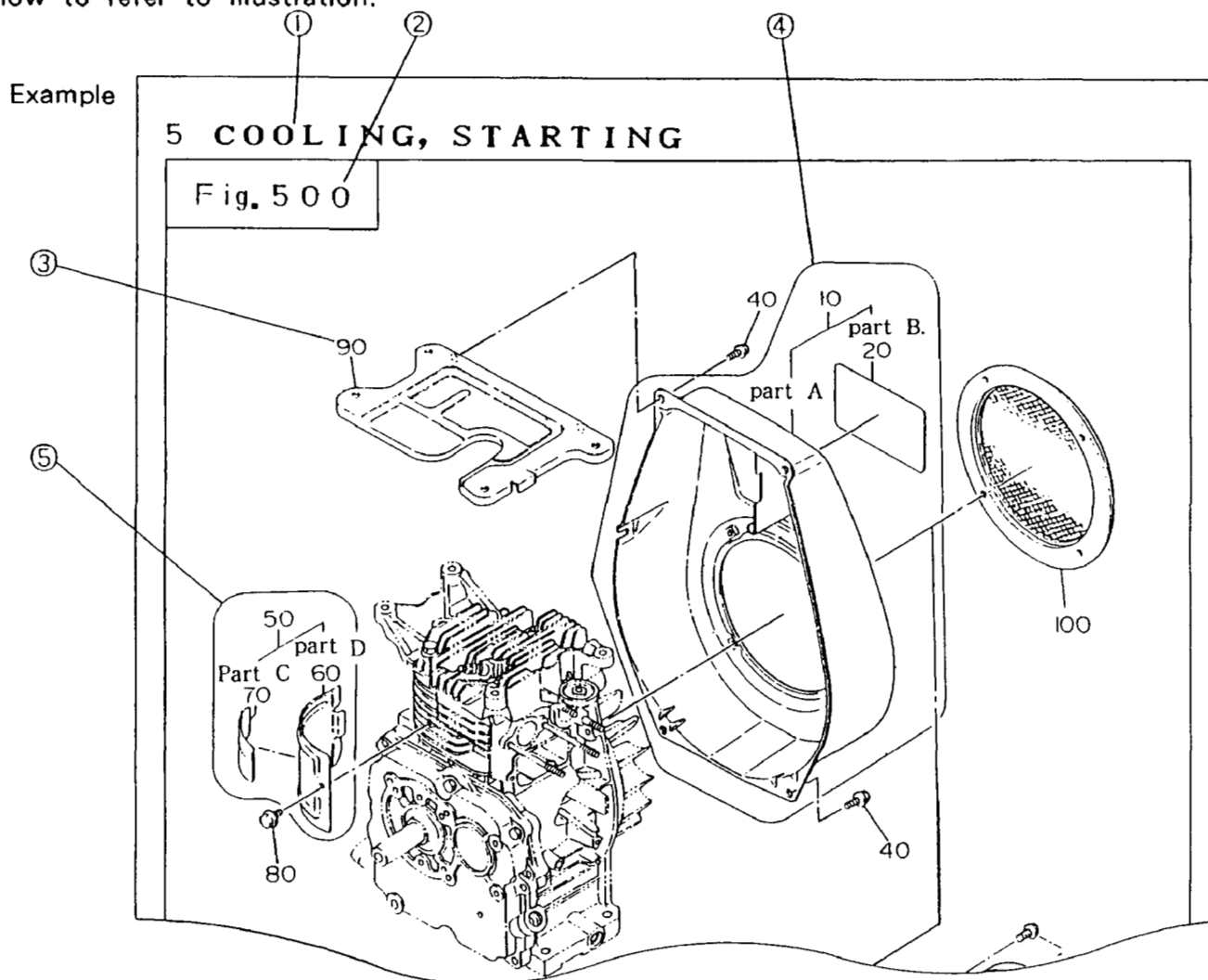
| | |
|------|----------|
| DY23 | WRD1-230 |
| DY27 | WRD1-270 |
| DY30 | WRD1-300 |
| DY35 | WRD1-350 |
| DY41 | WRD1-410 |

■ 2. How to identify part number



■ 3. How to refer to part catalog.

1. How to refer to Illustration.



Do not make any engine maintenance by depending only on the catalog because the illustrations on the catalog are intended to provide parts location and their shape, and ordering information.

- ① Section name Identical with the section name in the section index.
- ② Fig.number Shows illustration number corresponding to the Fig.number in the part table.
- ③ Ref.number Corresponds to Ref.number in the part table.
- ④ Ref.number Interpretation 1 The part indicated by Ref.number 10 in the above illustration consists of part A and part B.
Part A is available in the form of either assembly of Ref. number 10 (AY) or of complete unit of part A (CP).
Part B is available as the part B itself.
- ⑤ Ref. number Interpretation 2 Part C and D are available in the form of either assembly of Ref. number 50 (AY) or of complete unit of each part (CP).

2. How to refer to part table

Example

| 1 CRANKCASE GROUP | | | | | | | |
|-------------------|--------------|--|----------------------|-------------|-----------|-----------------|----------|
| REF. NO. | PART NUMBER | | PART NAME | | CODE NO. | INTERCHANGEABLE | FIG. NO. |
| | | | | SPEC. NO. | FROM-TO | PART NUMBER | |
| 80 | 040-11400-30 | | PLUG | | - | 040-11400-31 | 100 |
| 90 | 021-11400-20 | | GASKET (CRANKCASE) | | - | | 100 |
| 210 | 234-11001-01 | | MAINBEARING COVER CP | | - | | 100 |
| | 234-10901-01 | | | EY280BS0000 | - | | 100 |
| | | | | EY280BS7100 | - | | 100 |
| | 021-31600-10 | | | EY280BS7600 | - | | |
| 290 | 234-16001-03 | | | EY280BS7100 | - | | 100 |
| 300 | 001-14082-80 | | BOLT AND WASHER AY | | - | | 100 |
| 330 | ***** | | LABEL | | | | |
| | 073-20025-10 | | | EY280D52020 | - | | 100 |
| 610 | 234-13001-23 | | CYLINDER HEAD | | 0091- | | 100 |
| | 234-13001-13 | | CYLINDER HEAD | | 0001-0090 | 234-13001-23 | 100 |
| | 234-13001-03 | | CYLINDER HEAD | | -0000 | | 100 |

- ① Section name Identical with the section name in the section index and the illustration.
- ② Fig. number Equals to number in the illustration.
Refer to the illustration with the Fig. number stated in this section for identifying the part specified in Ref. number ③.
- ③ Ref.(reference) number Corresponds to the Ref. number in the illustration.
- ④ Part number This is a part number in the basic engine that is used in the product number other than exclusive part number in ⑤ specified by the product number stated in section ⑦.
- ⑤ Part number Exclusive part number used in the product number stated in section ⑦.

- ⑥ Part name Shows relevant part name with supplementary explanation such as its features and associated information.
- ⑦ Product number When using a different part number from that on the basic engine, this section describes exclusive product number and exclusive part number peculiar to the product number is specified in section ⑤.
- ⑧ Code number Shows revision records and provides identification of the part number by referring to the code number.

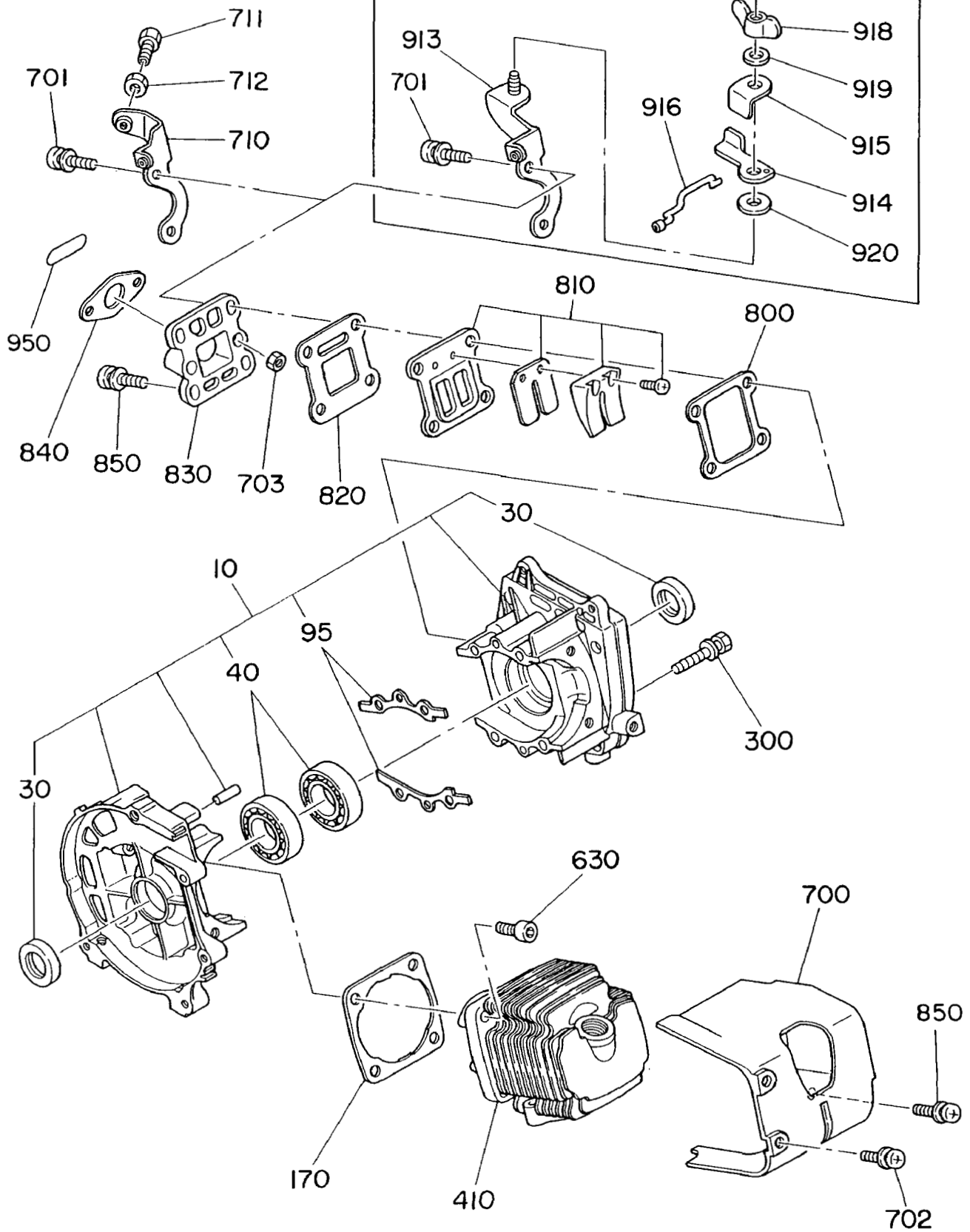
| | |
|-------------|--|
| 0091 - | Part number ④ or ⑤ with code number after 0091. |
| 0000 - 0090 | Part number ④ or ⑤ with code number between 0000 and 0090. |
| - 0000 | Part number ④ or ⑤ with code number before 0000. |

- ⑨ Interchangeable part number Interchangeable parts with the part numbers stated in the section ④ or ⑤.
- ⑩ : * * * * * Shows the part that is not used on the basic engine.
The parts stated in section ⑤ with this Ref. number (* * * * *) are limited to be used only for the exclusive products shown in section ⑦.

GROUP INDEX

| SECTION NAME | FIG. No. | PAGE |
|---------------------------------|----------|------|
| 1. CRANKCASE & CYLINDER | 100 | 2 |
| 2. CRANKSHAFT & PISTON | 200 | 4 |
| 3. MUFFLER & AIR CLEANER | 300 | 6 |
| 5. RECOIL STARTER | 500 | 8 |
| 6. FUEL TANK & CARBURETOR | 600 | 10 |
| 7. MAGNETO | 700 | 14 |
| 9. ACCESSORIES | 900 | 16 |
| PART NUMBER INDEX LIST | | 20 |

Fig. 100



CRANKCASE & CYLINDER

| REF. NO. | PART NUMBER | | PART NAME | | CODE NO. FROM-TO | INTERCHANGEABLE PART NUMBER | FIG. NO. |
|----------|--------------|-------------|---------------------|-----------|------------------|-----------------------------|----------|
| | | PART NUMBER | | SPEC. NO. | | | |
| 10 | 541-10050-00 | | CRANKCASE CP | | - | | 100 |
| 30 | 044-01599-71 | | OIL SEAL | | - | KN21-116A | 100 |
| 40 | 060-01598-80 | | B BEARING 6230C3 | | - | | 100 |
| 95 | 541-15012-00 | | GASKET(CRANKCASE) | | - | | 100 |
| 170 | 541-15005-00 | | CYLINDER PACKING | | - | | 100 |
| 300 | 011-90599-40 | | BOLT | | - | EC03-9302 | 100 |
| 410 | 532-15000-00 | | CYLINDER | | - | | 100 |
| | 541-15003-00 | | EC040ER0201 | | - | | 100 |
| 630 | 011-90699-90 | | BOLT,6X18 | | - | EC03-152 | 100 |
| 700 | 541-55003-00 | | CYLINDER COVER | | - | | 100 |
| 701 | 004-35052-20 | | SCREW AY | | - | | 100 |
| 702 | 004-37051-40 | | SCREW AND WASHER AY | | - | | 100 |
| 703 | 002-17050-00 | | NUT | | - | | 100 |
| 710 | 541-45000-00 | | BRACKET(WIRE) | | - | | 100 |
| 711 | 014-90699-81 | | ADJUSTING SCREW | | - | 014-90600-40 | 100 |
| 712 | 002-27060-00 | | NUT | | - | | 100 |
| 800 | 541-35028-00 | | PACKING | | - | | 100 |
| 810 | 541-30070-00 | | LEAD CP | | - | | 100 |
| 820 | 541-35012-00 | | PACKING | | - | | 100 |
| 830 | 541-35033-00 | | INSULATOR | | - | | 100 |
| 840 | 541-65023-00 | | GASKET(CARBURETOR) | | - | | 100 |
| 850 | 004-37052-00 | | SCREW AND WASHER AY | | - | | 100 |
| 913 | 541-40010-00 | | THROTTLE LEVER CP | | - | | 100 |
| 914 | 541-45001-00 | | THROTTLE LEVER | | - | | 100 |
| 915 | 541-45003-00 | | STOP PLATE | | - | | 100 |
| 916 | 541-40020-00 | | ROD CP | | - | | 100 |
| 917 | 129-45001-03 | | CRIP | | - | | 100 |
| 918 | 017-80600-10 | | WING NUT | | - | | 100 |
| 919 | 020-00700-10 | | WASHER | | - | | 100 |
| 920 | 021-70600-20 | | FRICTION WASHER | | - | | 100 |
| 950 | ***** | | LABEL | | | | |
| | 530-95023-00 | | EC030ER0202 | | - | | 100 |
| | | | | | | | |
| | | | | | | | |
| | | | | | | | |

Fig. 200

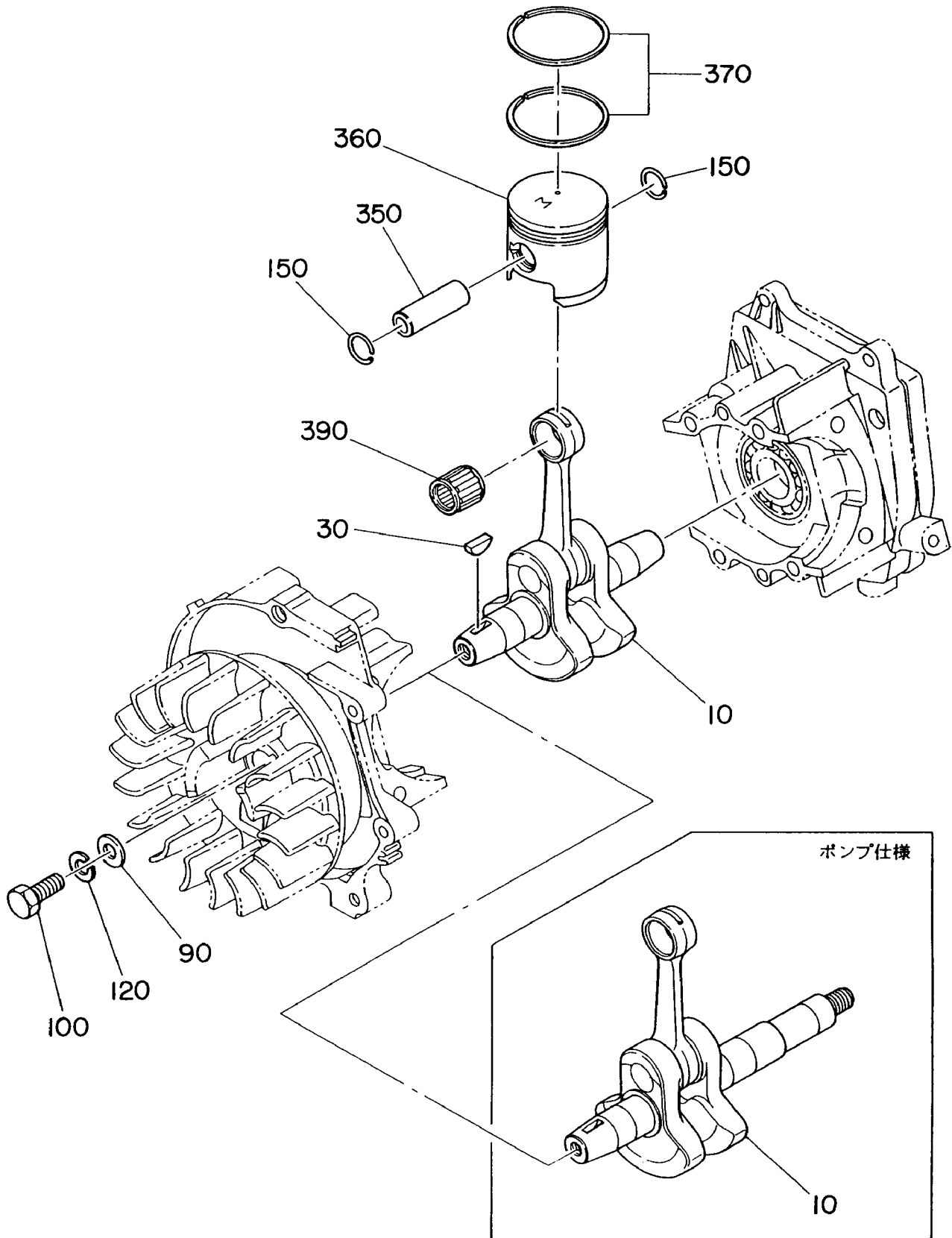
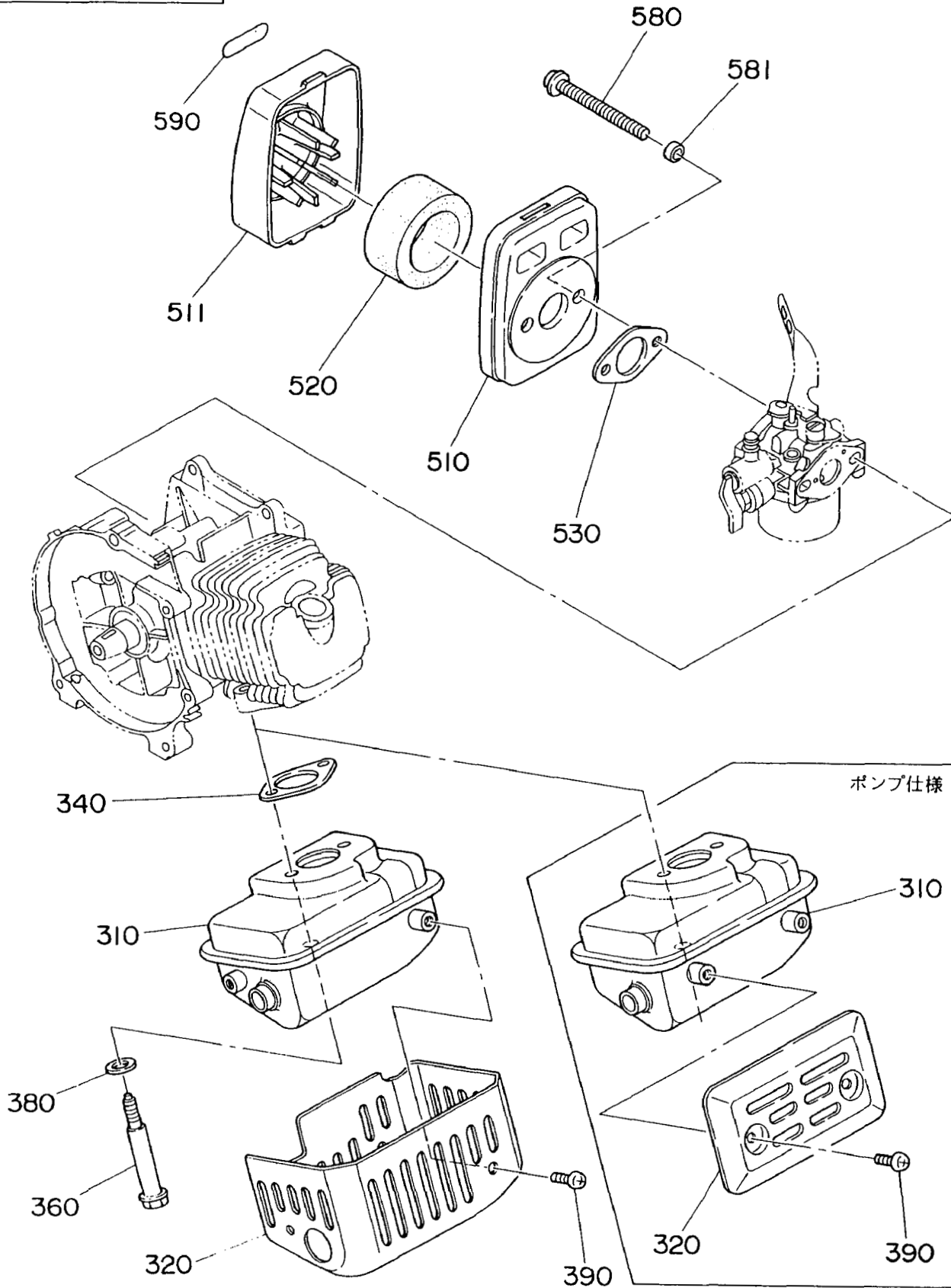


Fig. 300



MUFFLER, AIR CLEANER

| REF. NO. | PART NUMBER | | PART NAME | | CODE NO. FROM-TO | INTERCHANGEABLE PART NUMBER | FIG. NO. |
|----------|--------------|--------------|---------------------|-------------|------------------|-----------------------------|----------|
| | | PART NUMBER | | SPEC. NO. | | | |
| 310 | 541-30120-00 | | MUFFLER CP | | - | | 300 |
| | | 541-30090-00 | | EC040ER0201 | - | | 300 |
| | | 541-30140-00 | | EC030ER0202 | - | | 300 |
| 320 | 541-35032-00 | | MUFFLER COVER | | - | | 300 |
| | | 540-35024-00 | | EC030ER0202 | - | EC04-3130-SA | 300 |
| 340 | 530-35007-00 | | GASKET(MUFFLER) | | - | EC03-114B | 300 |
| 360 | 540-35031-01 | | BOLT(MUFFLER) | | - | | 300 |
| 380 | 020-00999-90 | | WASHER | | - | EC04-3132 | 300 |
| 390 | 014-00599-20 | | SCREW | | - | EC03F-3998 | 300 |
| | | 014-00599-61 | | EC030ER0202 | - | EC03-9303 | 300 |
| 510 | 541-35034-00 | | CLEANER BODY | | - | | 300 |
| 511 | 541-35035-00 | | CLEANER COVER | | - | | 300 |
| 520 | 541-35009-00 | | FILTER | | - | | 300 |
| 530 | 541-35041-00 | | GASKET(FILTER) | | - | | 300 |
| 580 | 004-37066-50 | | SCREW AND WASHER AY | | - | | 300 |
| 581 | 023-00698-20 | | SPACER | | - | | 300 |
| 590 | ***** | | LABEL | | | | |
| | | 550-95005-00 | | EC030ER0202 | - | | 300 |
| | | | | | | | |
| | | | | | | | |
| | | | | | | | |
| | | | | | | | |
| | | | | | | | |
| | | | | | | | |
| | | | | | | | |
| | | | | | | | |
| | | | | | | | |
| | | | | | | | |
| | | | | | | | |
| | | | | | | | |
| | | | | | | | |
| | | | | | | | |
| | | | | | | | |
| | | | | | | | |
| | | | | | | | |
| | | | | | | | |
| | | | | | | | |
| | | | | | | | |

Fig. 500

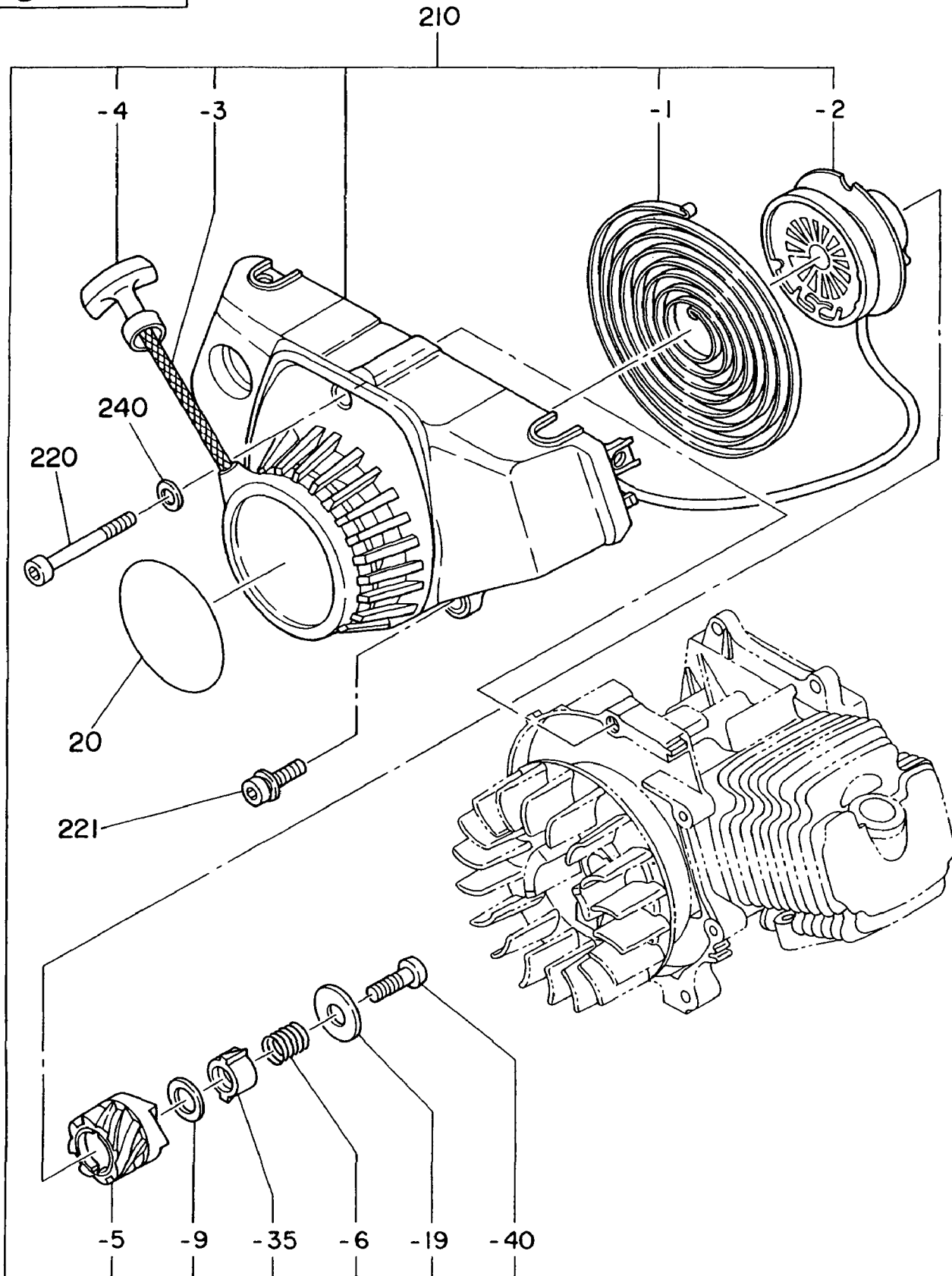
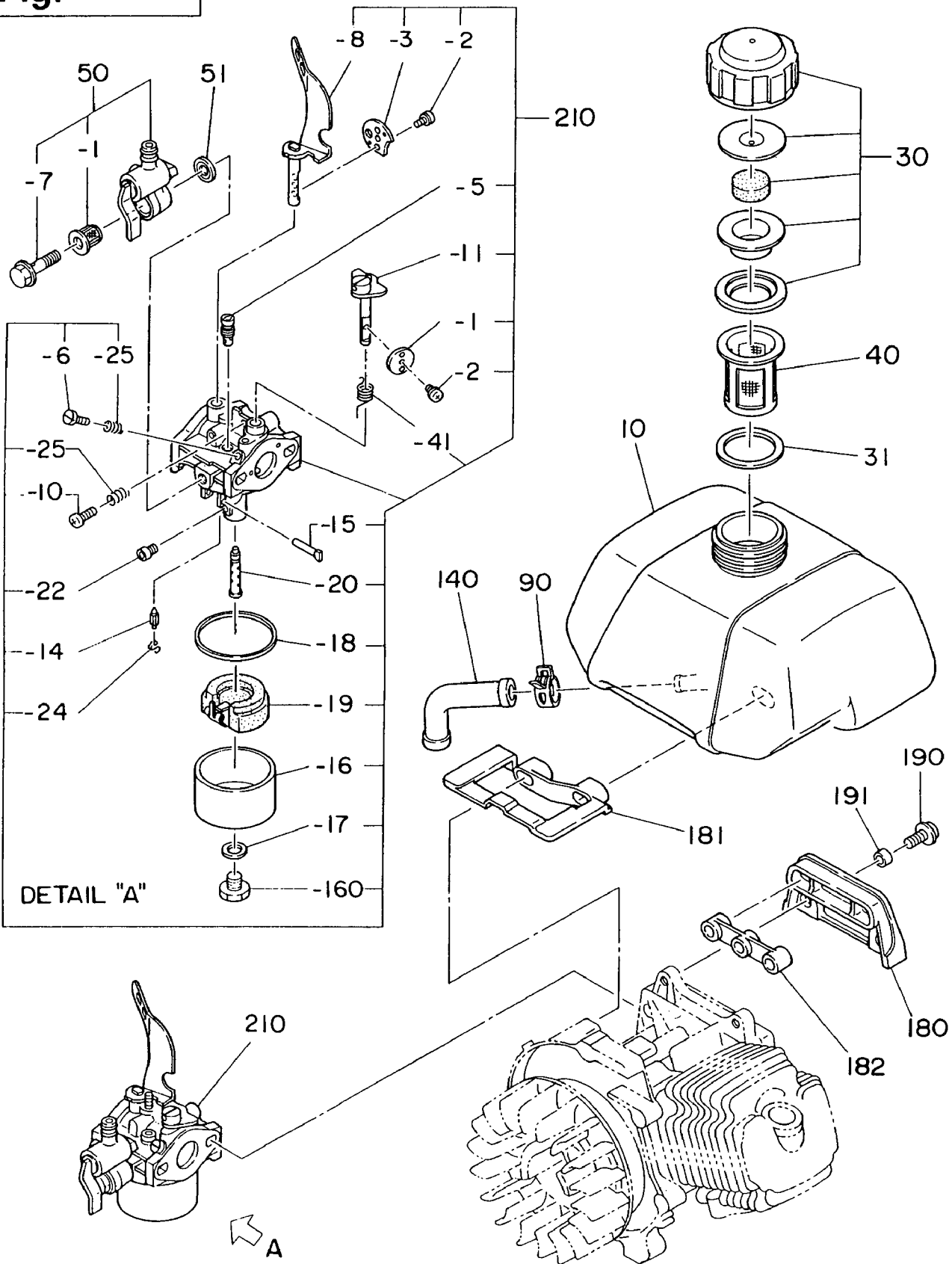


Fig. 600



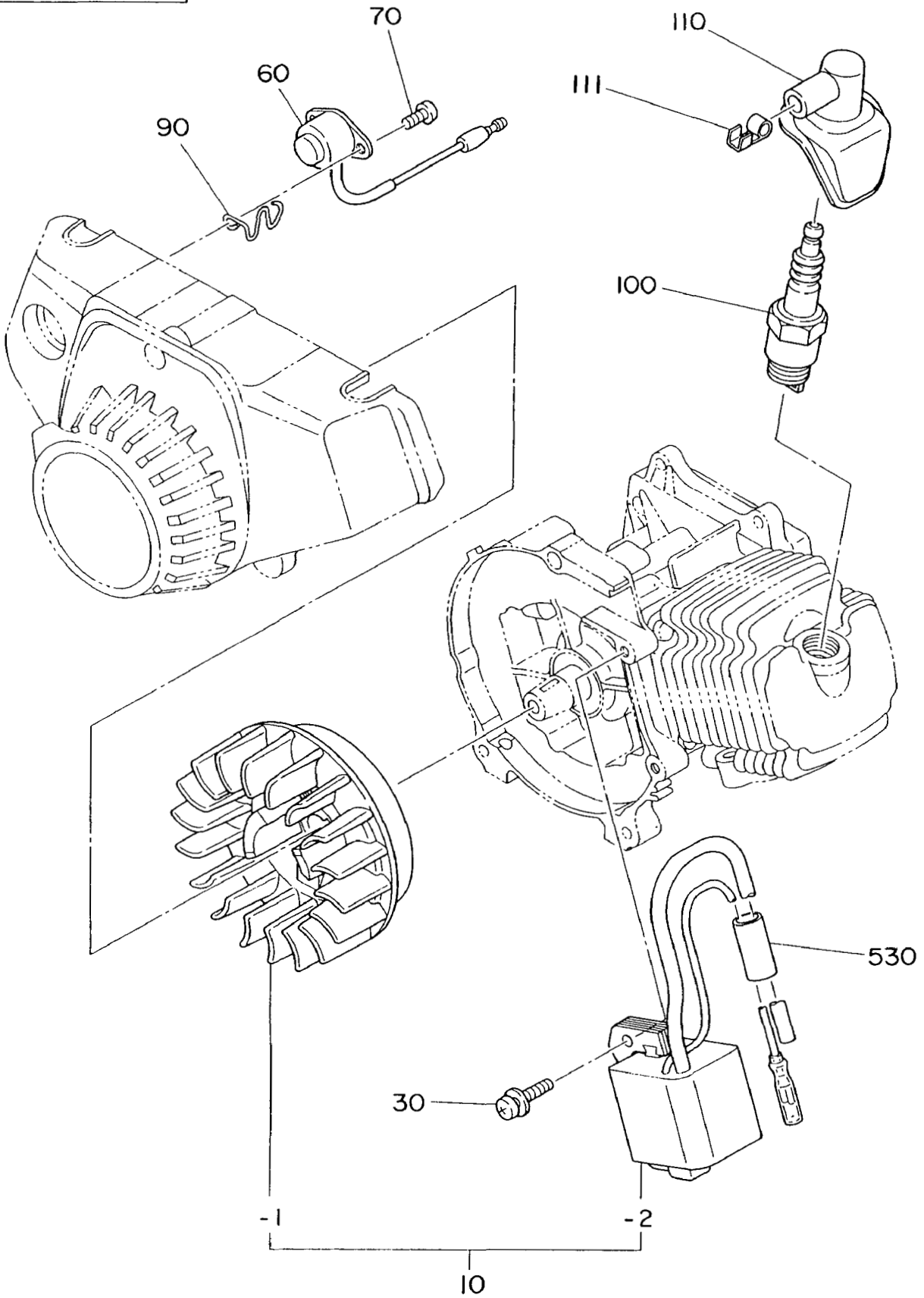
6 FUEL TANK & CARBURETOR

| REF. NO. | PART NUMBER | | PART NAME | | CODE NO. | INTERCHANGEABLE | FIG. NO. |
|----------|--------------|-------------|---------------------|-----------|----------|-----------------|----------|
| | | PART NUMBER | | SPEC. NO. | FROM-TO | PART NUMBER | |
| 10 | 541-65012-00 | | FUEL TANK | | - | | 600 |
| 30 | 510-60130-00 | | FUEL TANK CAP AY | | - | | 600 |
| 31 | 551-65005-00 | | PACKING | | - | EC05A-6111 | 600 |
| 40 | 064-12799-90 | | FILTER | | - | | 600 |
| 50 | 541-60100-00 | | STRAINER COCK AY | | - | | 600 |
| - 1 | 541-65022-00 | | FILTER, STRAINER | | - | | 600 |
| - 7 | 541-65021-00 | | PIPE BOLT | | - | | 600 |
| 51 | 690-45005-00 | | SEAL WASHER | | - | | 600 |
| 90 | 056-11399-82 | | HOSE CLAMP | | - | EC03-6102B | 600 |
| 140 | 541-65002-00 | | FUEL HOSE | | - | | 600 |
| 180 | 541-65003-00 | | TANK BRACKET | | - | | 600 |
| 181 | 541-65019-00 | | RUBBER CUSHION(A) | | - | | 600 |
| 182 | 541-65011-00 | | RUBBER CUSHION(B) | | - | | 600 |
| 190 | 004-34051-40 | | SCREW AND WASHER AY | | - | | 600 |
| 191 | 023-00599-90 | | SPACER | | - | EC01A-6027 | 600 |
| 210 | 541-60020-00 | | CARBURETOR AY | | - | | 600 |
| - 1 | 230-62537-08 | | THROTTLE VALVE | | - | | 600 |
| - 2 | 237-62451-08 | | SCREW | | - | | 600 |
| - 3 | 230-62527-08 | | CHOKE SHAFT AY | | - | | 600 |
| - 5 | 209-62421-08 | | PILOT JET | | - | | 600 |
| - 6 | 213-62390-08 | | ADJUSTER | | - | | 600 |
| - 8 | 541-60021-40 | | CHOKE SHAFT AY | | - | | 600 |
| - 10 | 209-62352-08 | | SCREW | | - | | 600 |
| - 11 | 541-60021-30 | | THROTTLE SHAFT AY | | - | | 600 |
| - 14 | 541-60023-10 | | NEEDLE AY | | - | | 600 |
| - 15 | 214-62515-08 | | PIN | | - | | 600 |
| - 16 | 230-62550-08 | | FLOAT CHAMBER BODY | | - | | 600 |
| - 17 | 209-62345-08 | | WASHER | | - | | 600 |
| - 18 | 206-62540-08 | | CHAMBER PACKING | | - | | 600 |
| - 19 | 541-60022-10 | | FLOAT AY | | - | | 600 |
| - 20 | 541-60022-20 | | MAIN NOZZLE | | - | | 600 |
| - 22 | 128-62400-08 | | MAIN JET | | - | | 600 |
| - 24 | 230-62454-08 | | CLIP | | - | | 600 |
| - 25 | 210-62318-08 | | SPRING | | - | | 600 |
| - 41 | 541-60020-40 | | SPRING | | - | | 600 |

89/09/26



Fig. 700

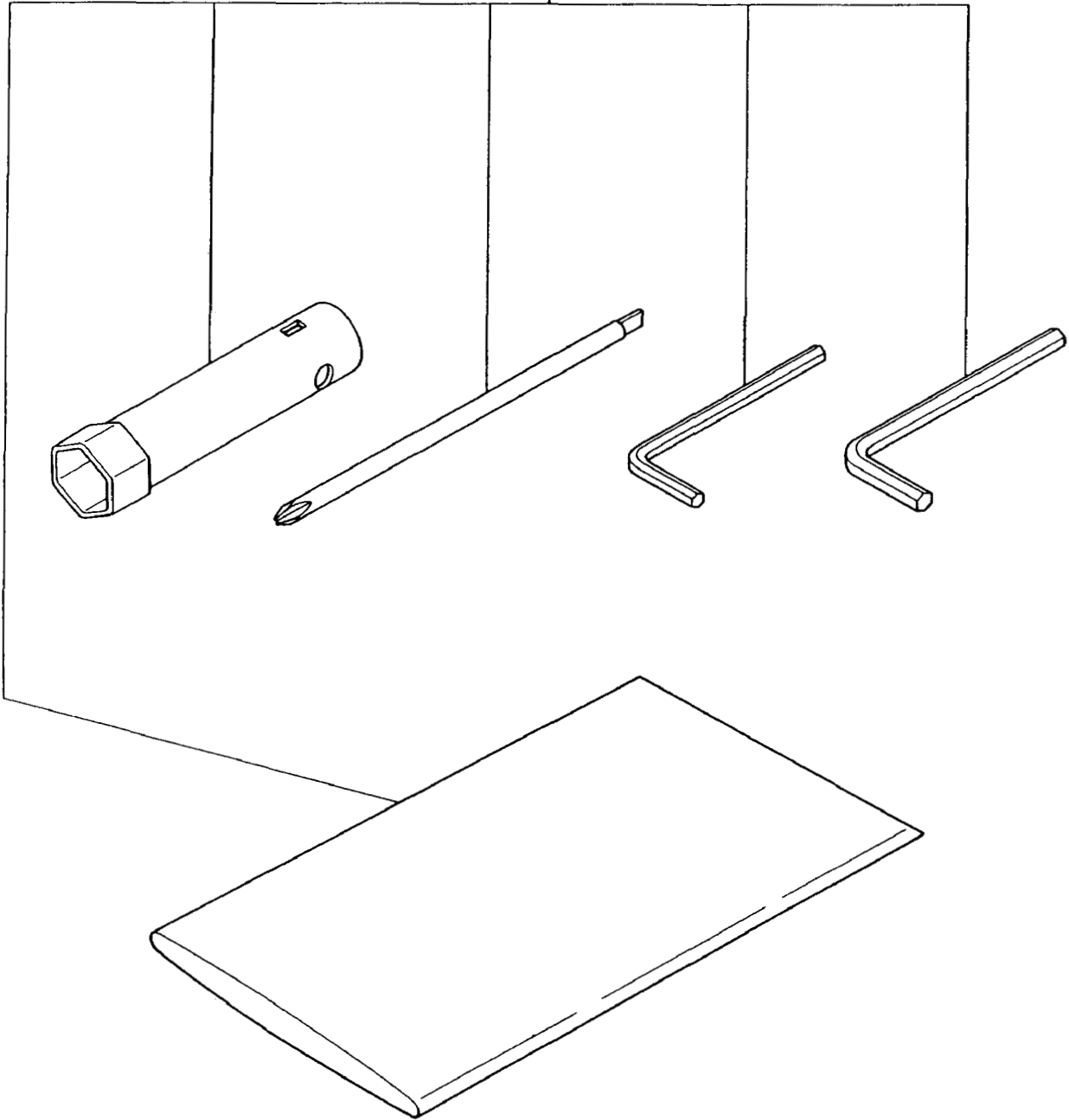


7 MAGNETO

| REF. NO. | PART NUMBER | | PART NAME | | CODE NO. | INTERCHANGEABLE PART NUMBER | FIG. NO. |
|-------------|--------------|-------------|-----------------|-----------|----------|--------------------------------|-------------|
| | | PART NUMBER | | SPEC. NO. | FROM-TO | | |
| 10 | 541-70030-01 | | MAGNETO AY | | - | | 700 |
| - 1 | 541-70030-11 | | FLYWHEEL | | - | | 700 |
| - 2 | 541-70030-21 | | IG COIL | | - | | 700 |
| 30 | 004-36052-00 | | SCREW AY | | - | | 700 |
| 60 | 066-20098-70 | | STOP BUTTON | | - | EC04-0713B | 700 |
| 70 | 015-00499-70 | | TAPPING SCREW | | - | | 700 |
| 90 | 541-75001-00 | | EARTH SPRING | | - | | 700 |
| 100 | 065-01497-10 | | SPARK PLUG | | - | | 700 |
| 110 | 541-75000-00 | | SPARK PLUG CAP | | - | | 700 |
| 111 | 065-40099-40 | | PLUG CAP SPRING | | - | | 700 |
| 530 | 541-75003-00 | | TUBE | | - | | 700 |
| | | | | | | | |
| | | | | | | | |
| | | | | | | | |
| | | | | | | | |
| | | | | | | | |
| | | | | | | | |
| | | | | | | | |
| | | | | | | | |
| | | | | | | | |
| | | | | | | | |
| | | | | | | | |
| | | | | | | | |
| | | | | | | | |
| | | | | | | | |
| | | | | | | | |
| | | | | | | | |
| | | | | | | | |
| | | | | | | | |
| | | | | | | | |
| | | | | | | | |
| | | | | | | | |
| | | | | | | | |
| | | | | | | | |
| | | | | | | | |
| | | | | | | | |

Fig. 900

10







Robin America, Inc.

940 Lively Blvd., Wood Dale, IL 60191 • Tel: (708) 350-8200 • Fax: (708) 350-8212