

Robin Industrial Engines®

OEM PARTS MANUAL

Model

EC06D HUDSON

1193M303



ROBIN AMERICA, INC.
ROBIN TO WISCONSIN ROBIN
ENGINE MODEL CROSS REFERENCE LIST

ROBIN

WISCONSIN ROBIN

SIDE VALVE

EY08	W1-080
EY15	W1-145
EY15V	W1-145V
EY20	W1-185
EY20V	W1-185V
EY23	W1-230
EY28	W1-280
EY35	W1-340
EY40	W1-390
EY45V	W1-450V
EY21	EY21W
EY44	EY44W
EY18-3	EY18-3W
EY25	EY25W
EY27	EY27W

OVERHEAD VALVE

EH11	W01-115
EH12	W01-120
EH15	W01-150
EH17	W01-170
EH21	W01-210
EH25	W01-250
EH30	W01-300
EH30V	W01-300V
EH34	W01-340
EH34V	W01-340V
EH43V	W01-430V

TWO CYCLE

EC13V	WT1-125V
-------	----------

DIESEL

DY23	WRD1-230
DY27	WRD1-270
DY30	WRD1-300
DY35	WRD1-350
DY41	WRD1-410

Introduction

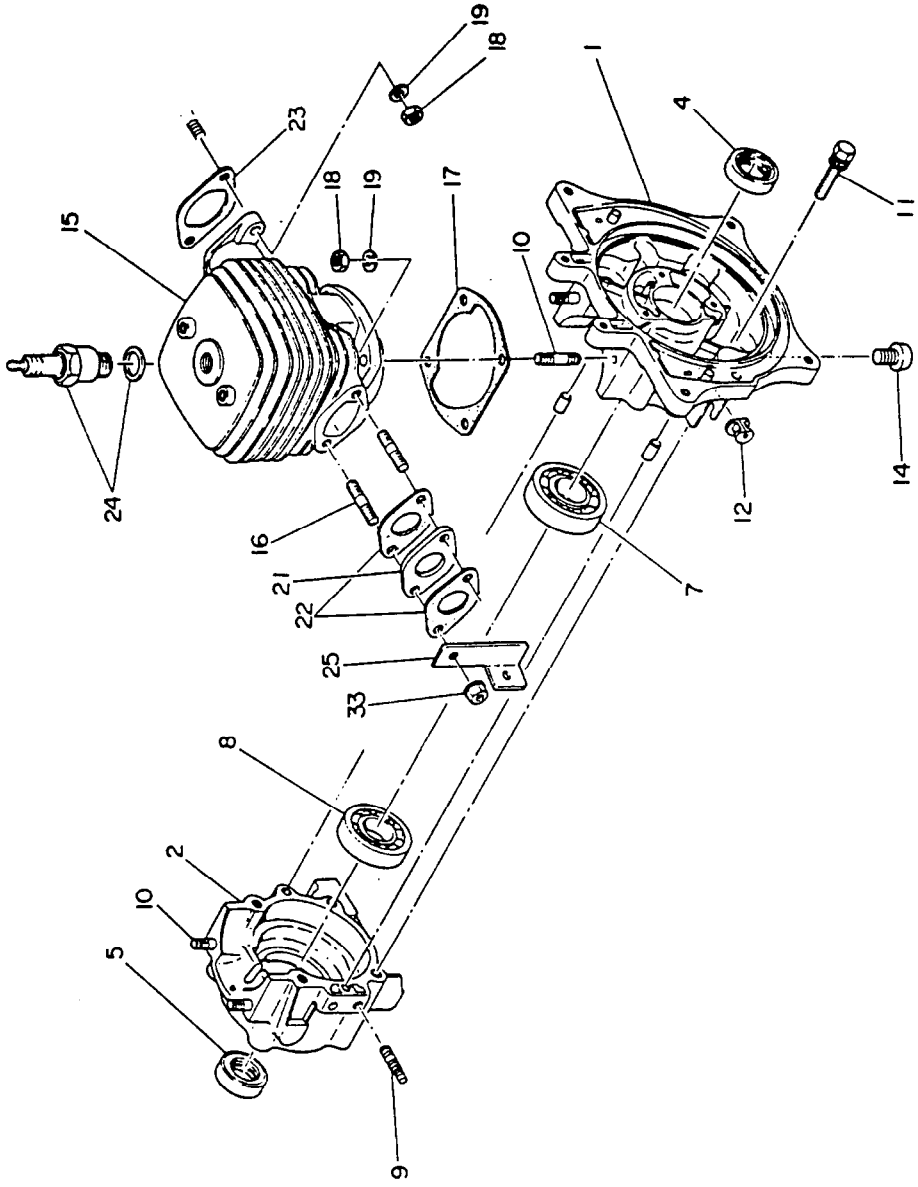
This catalog is designed to identify **Robin Engine** parts.

When ordering parts, it is always advisable to list the engine model, specification number and serial number. With this information, we can check your order for any incorrect part numbers. Use your Service Parts List to ensure proper part number and nomenclature identification.

ROBIN AMERICA INC. reserves the right to modify, alter and improve engines and parts. Part numbers and the structure of parts may change from those shown in this catalog.

Table of Contents

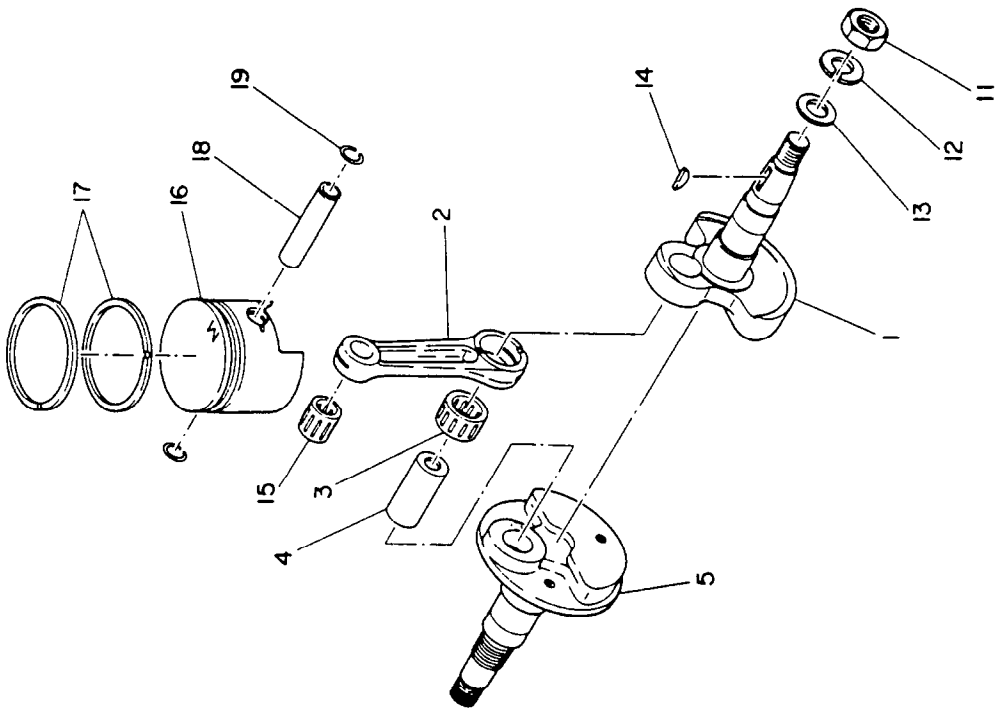
Crankcase and Cylinder	3
Crankshaft and Piston	5
Muffler and Fan Cover	7
Carburetor and Air Cleaner	9-11
Magneto.....	13
Recoil Starter	15
Parts to be Shipped Loose	17

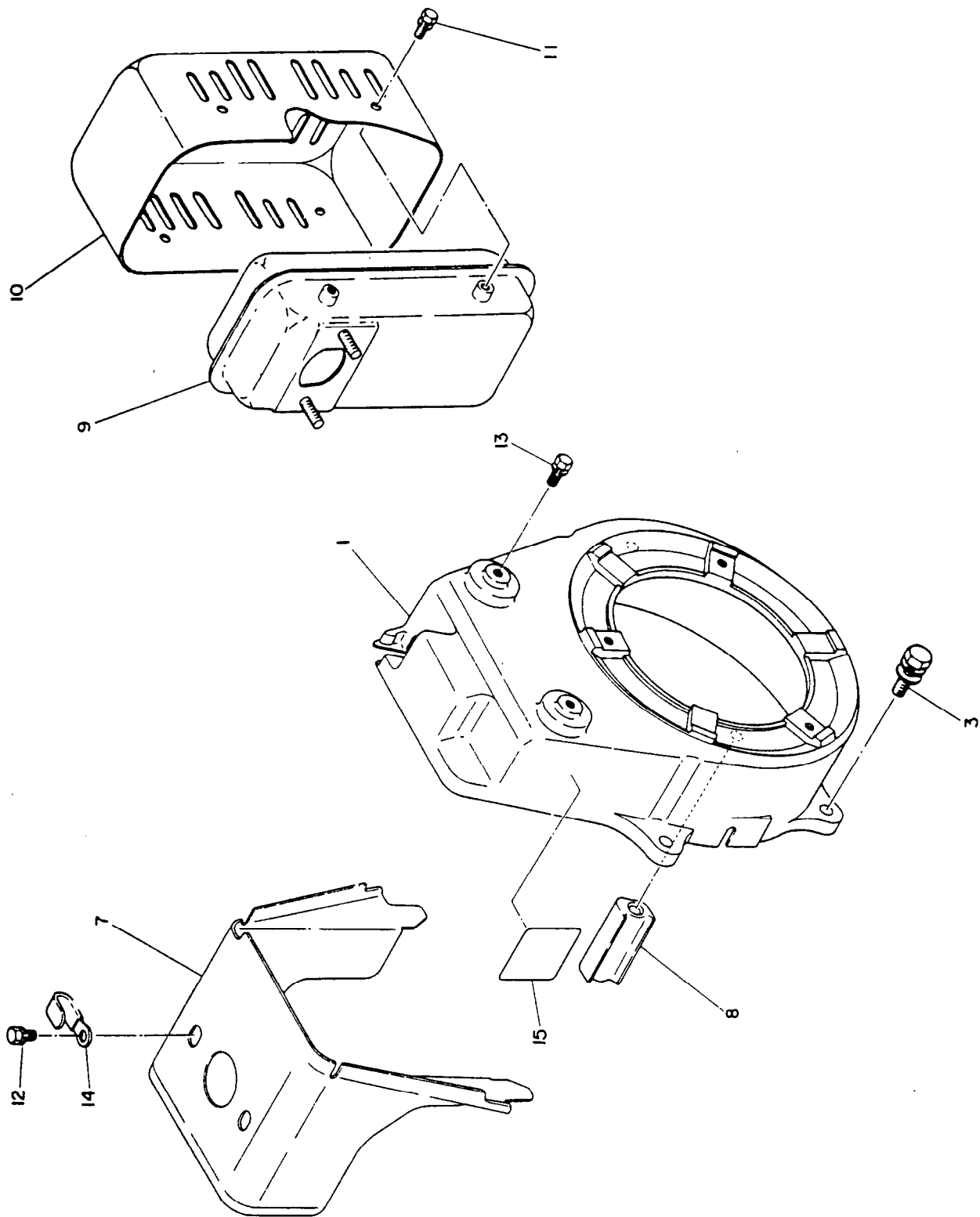


1. CRANKCASE and CYLINDER

↙Interchangeability

Ref. No.	Part Number	Part Name	Q'ty	Description	FOB JAPAN IN U.S. \$
• 1	EC06A-S0079	CRANKCASE COMPL.	1	Incl. 2,4~10	
4	044 01799 30	OIL SEAL	1	TC-17286	
5	044 02000 20	OIL SEAL	1	TC-20307	
7	060 02000 20	BALL BEARING	1	S-BB6204C3	
8	060 02000 10	BALL BEARING	1	S-BB6004C3	
9	010 50600 50	STUD	1		
10	010 50650 00	STUD	4		
11	001 14064 50	BOLT AND WASHER ASSY	4		
12	EC05A-7102	GROMMET	1		
14	004 31081 00	SCREW	4		
• 15	EC06A-0110	CYLINDER COMPL.	1	Incl.16	
16	010 50649 70	STUD	2		
17	EC08A-1111	GASKET (cylinder)	1		
18	002 18060 00	NUT	6		
19	003 20060 00	SPRING WASHER	6		
21	129 32901 03	INSULATOR	1		
21	EC05A-3101	INSULATOR	1		
22	106 35001 03	GASKET (insulator)	2		
22	EC05A-3102	GASKET (insuiator)	2		
23	EC05A-3110	GASKET (muffler)	1		
24	065 01499 50	SPARK PLUG	1	NGK-B7HS	
25	EC06A-4126	BRACKET	1		
33	002 37060 00	FLANGE NUT	2		

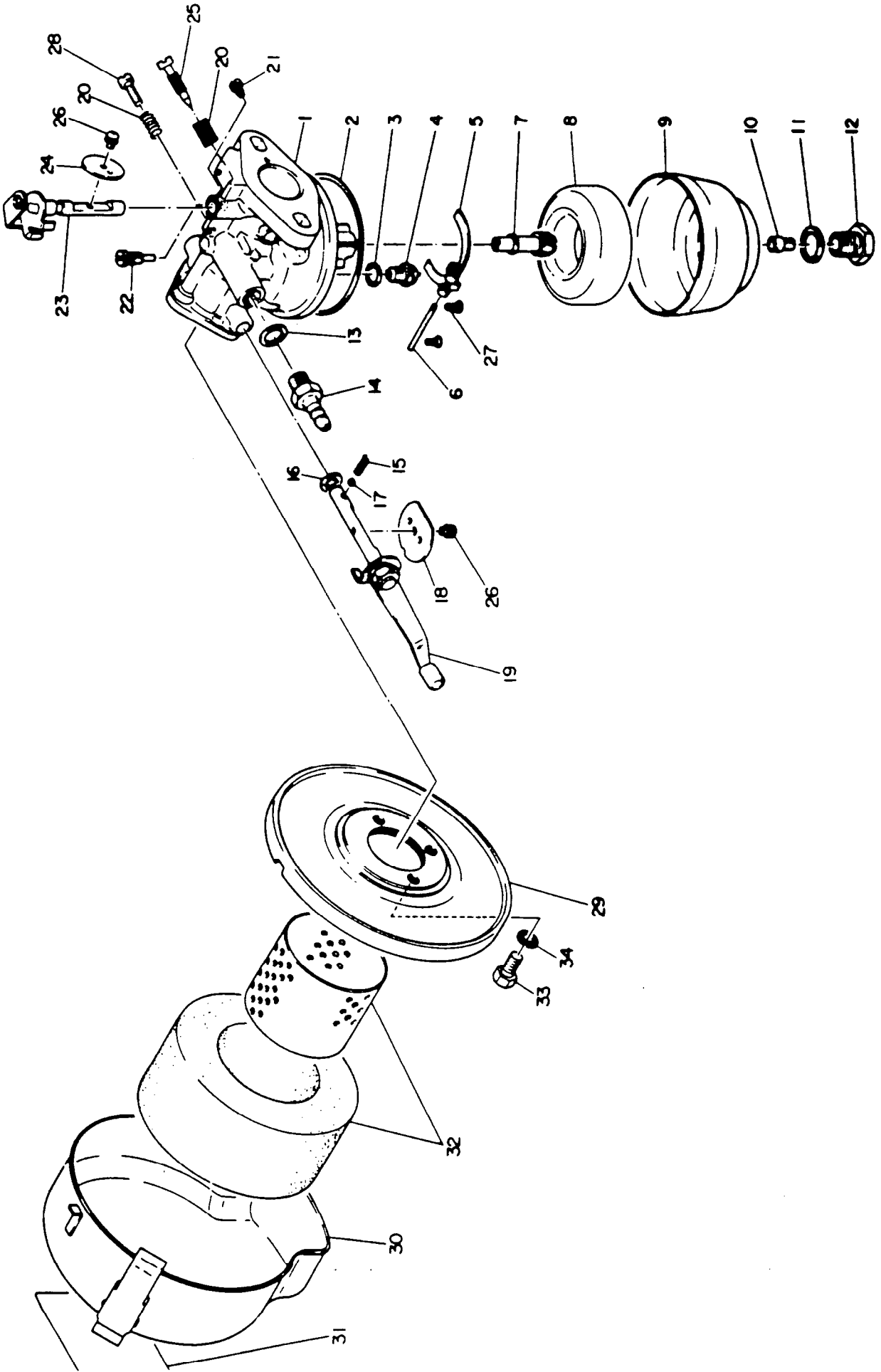




3. MUFFLER and FAN COVER

↔ Interchangeability

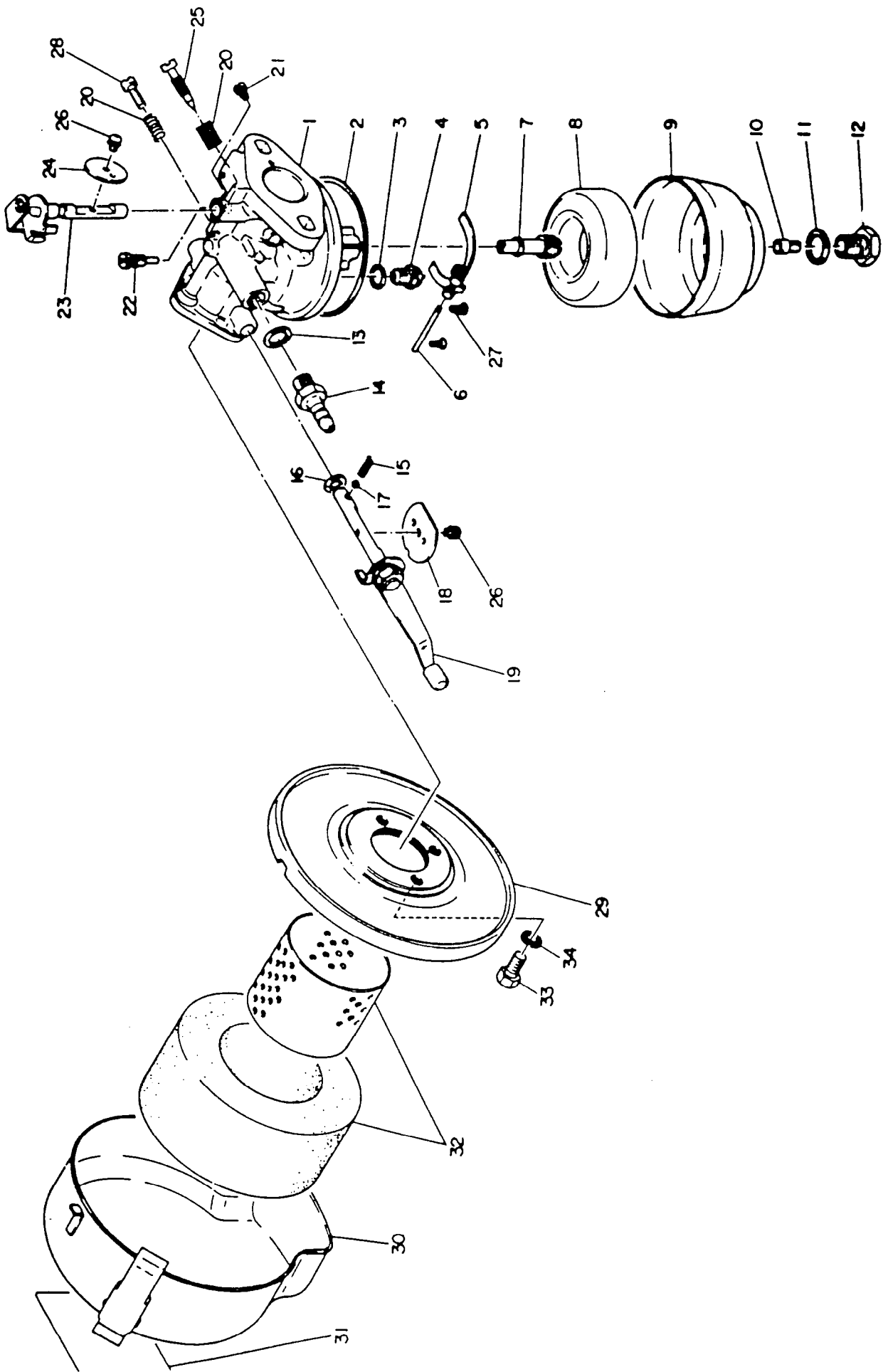
Ref. No.	Part Number	Part Name	Q'ty	Description	FOB JAPAN IN U.S. \$
1	EC05A-5101-WB	FAN COVER	1		
3	001 11062 00	BOLT AND WASHER ASSY	4		
7	EC05A-1110A-WB	CYLINDER COVER UNIT	1		
8	EC05A-5102	GUIDE RUBBER	1		
9	EC06A-0313-TA	MUFFLER COMPL.	1		
10	EC05A-3111SA	MUFFLER COVER	1		
11	001 10061 00	BOLT ASSY	4		
12	001 11061 20	BOLT ASSY	2		
13	001 11061 80	BOLT ASSY	2		
14	EC06A-0412	CLAMP	1		
15	EC06A-9121	LABEL (engine model)	1		

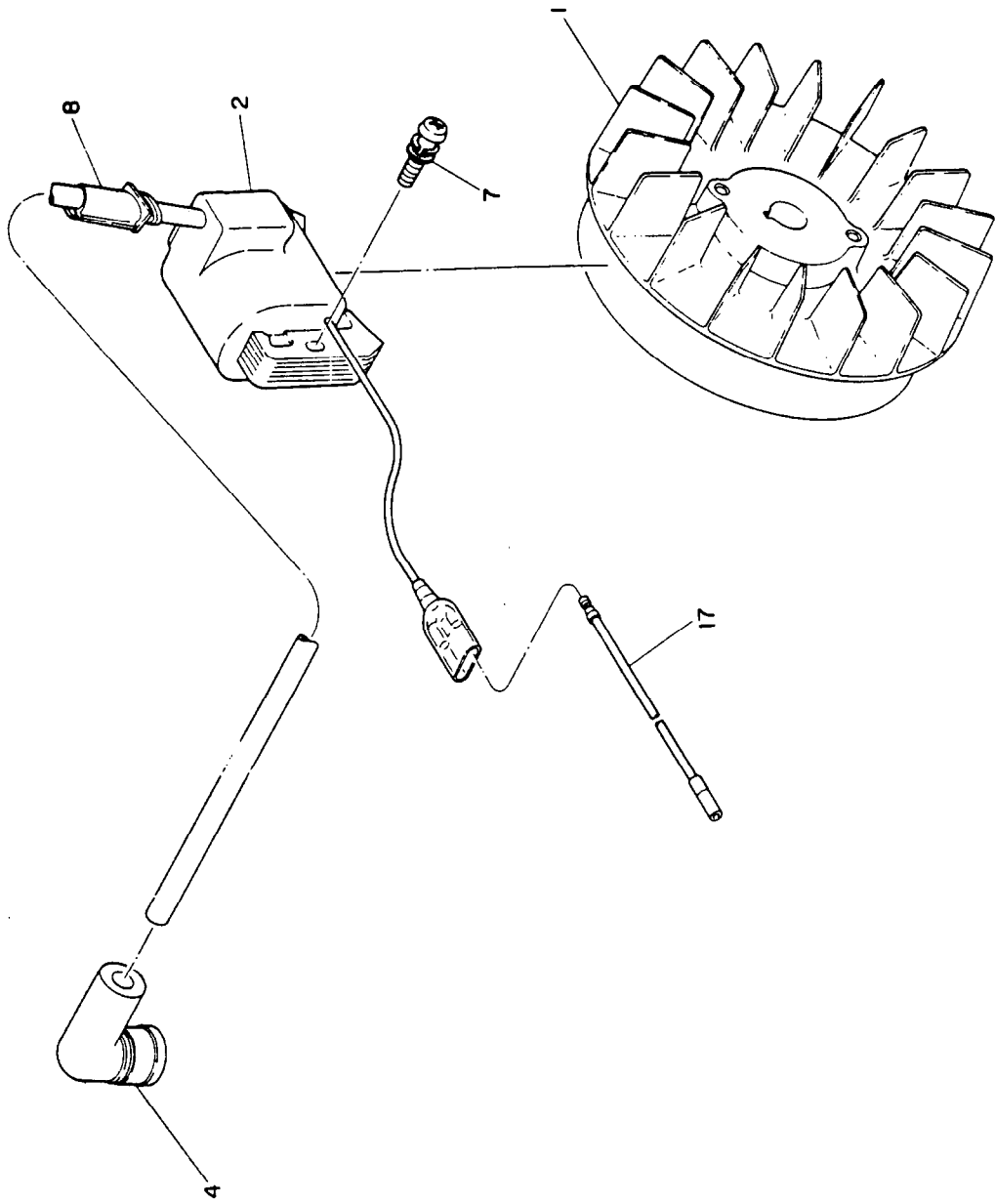


4. CARBURETOR and AIR CLEANER

↔Interchangeability

Ref. No.	Part Number	Part Name	Q'ty	Description	FOB JAPAN IN U.S. \$
• 1	EC06A-0336	CARBURETOR ASSY	1	Incl. 2~12, 15~28	
2	106 62547 08	PACKING	1		
3	106 62381 08	PACKING	1		
4	106 62503 08	NEEDLE VALVE	1	1.8φ	
5	106 62511 08	FLOAT ARM	1		
6	106 62516 08	PIN	1		
7	106 62442 08	NOZZLE	1	14φ	
8	106 62508 08	FLOAT	1		
9	106 62389 08	FLOAT CHAMBER BODY	1		
10	206 62400 08	REVERSE MAIN JET	1	#82.5	
11	206 62431 08	PACKING	1		
12	206 62350 08	GUIDE HOLDER	1		
13	207 62345 08	WASHER	1		
14	050 50800 30	UNION	1		
15	209 62446 08	CHOKE SPRING	1		
16	106 62392 08	SEAL	1		
17	209 62353 08	STEEL BALL	1		
18	106 62527 08	VALVE (choke)	1	#9.5	
19	106 62524 08	SHAFT ASSY (choke)	1		
20	206 62446 08	SPRING	2		
21	106 62357 08	GUIDE SCREW	1		
22	207 62420 08	PILOT JET	1	#40	
23	BV18/1227	SHAFT ASSY (throttle)	1		
24	106 62536 08	THROTTLE VALVE	1	#150	
25	106 62436 08	PILOT SCREW	1	1 1/4 return	

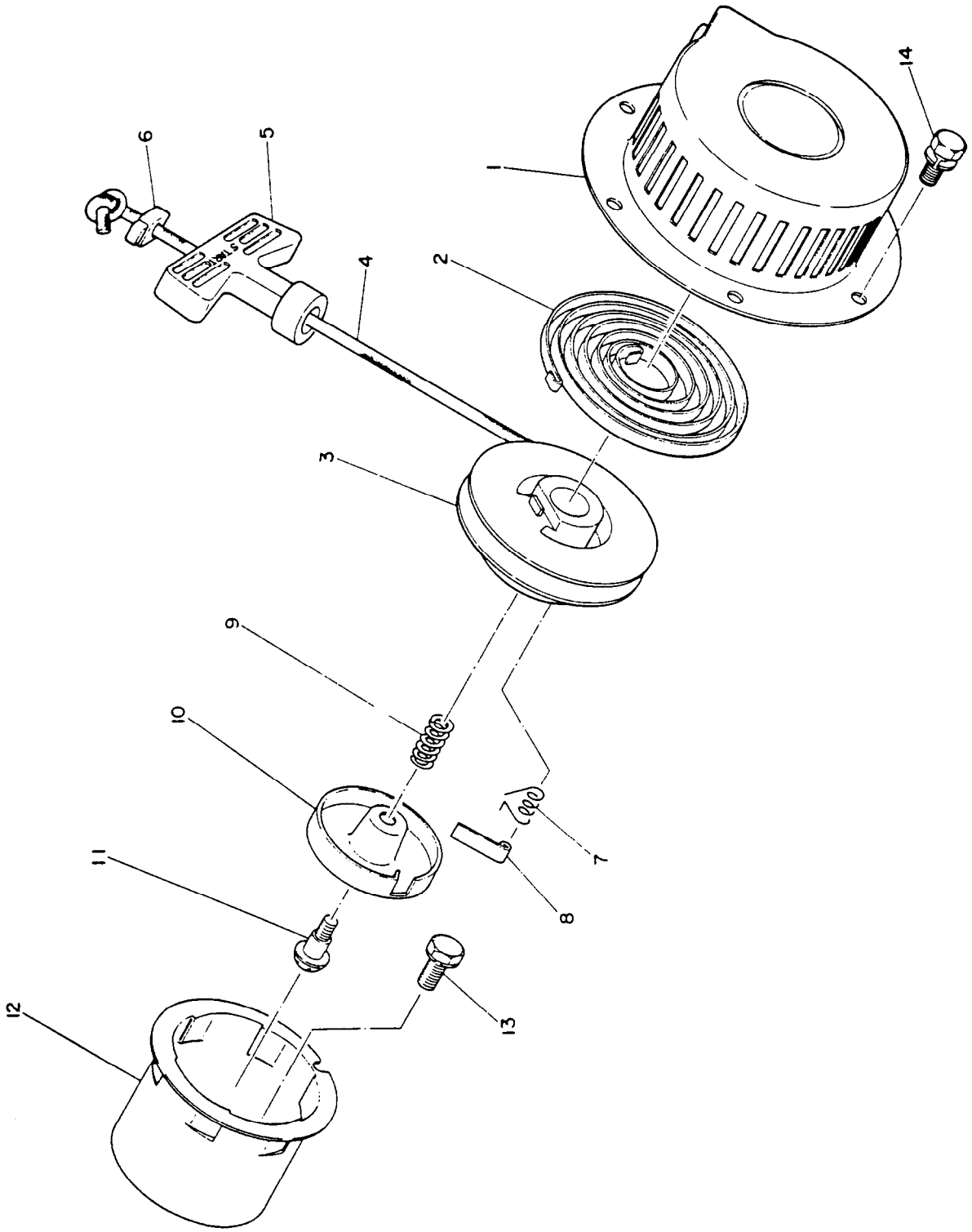




5. MAGNETO

Interchangeability

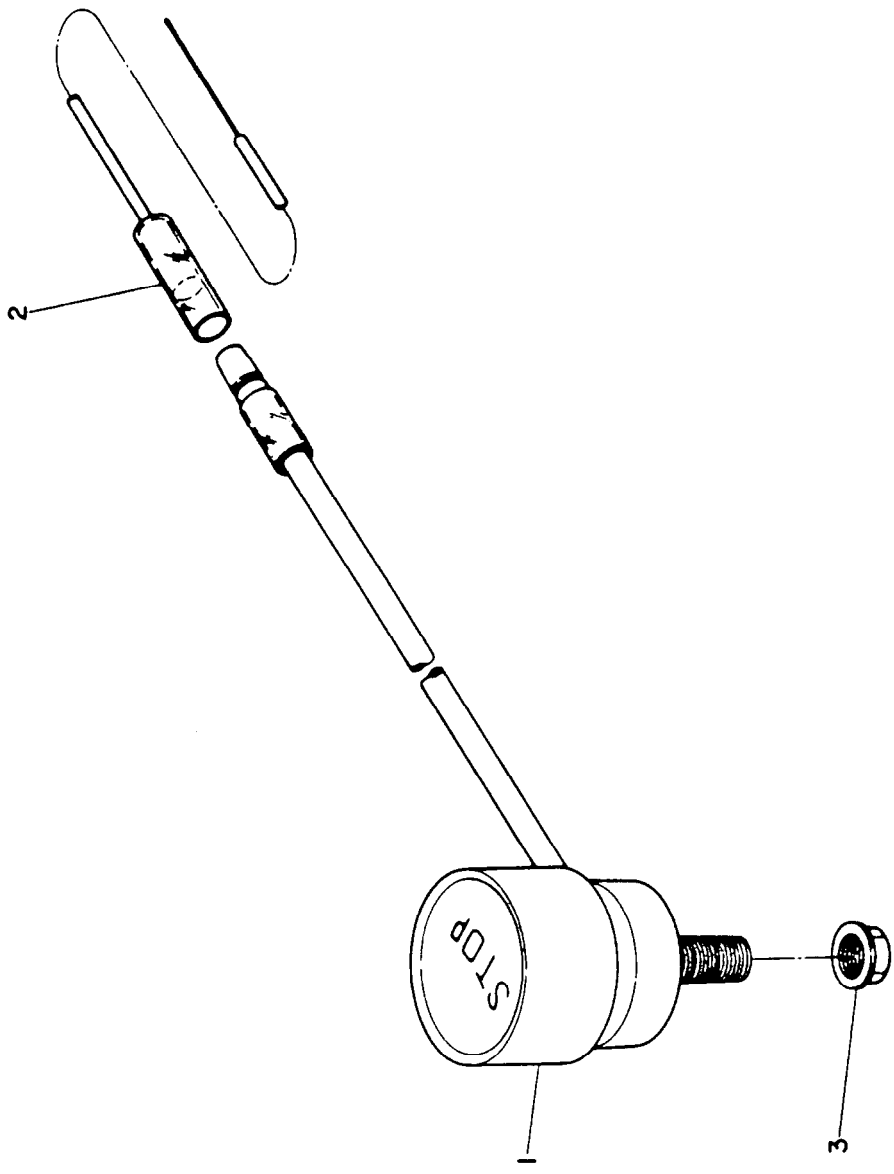
Ref. No.	Part Number	Part Name	Q'ty	Description	FOB JAPAN IN U.S.\$
• 1	EC08A-0710A	MAGNETO ASSY	1	Incl.2	
2	4M-50748	IGNITION COIL	1		
4	065 50000 50	SPARK PLUG CAF	1		
7	004 36052 50	SCREW ASSY	2		
8	EC05A-7101A	GROMMET	1		
17	EC06A-0726	LEAD WIRE COMPL. (B)	1		



6. RECOIL STARTER

↔Interchangeability

Ref. No.	Part Number	Part Name	Q'ty	Description	FOB JAPAN IN U.S. \$
• 1	EC08A-0511-SA	RECOIL STARTER ASSY	1	Incl. 2~12	
2	EC08A-0503~②	SPIRAL SPRING	1		
3	EC08A-0503~③	REEL	1		
4	EC08-0510~⑨	STARTER ROPE	1		
5	EC08A-0511~⑩	STARTER KNOB	1		
6	EC05A-0501~⑫	ROPE STOPPER	1		
7	EC08-0510~⑤	RETURN SPRING	1		
8	EC08A-0503~④	RATCHET	1		
9	EC08A-0503~⑦	FRICITION SPRING	1		
10	EC08A-0503~⑧	FRICITION PLATE	1		
11	EC08A-0503~⑥	CENTER SCREW	1		
12	EC08A-0510~⑪	STARTER PULLEY	1		
13	001 10061 60	BOLT AND WASHER ASSY	2		
14	001 10061 00	BOLT AND WASHER ASSY	3		



7. PARTS TO BE SHIPPED LOOSE

↔ Interchangeability

Ref. No.	Part Number	Part Name	Qty	Description	FOB JAPAN IN U.S. \$
1	EC02-720	STOP BUTTON	1		
2	EC06A-0725	LEAD WIRE COMPL. (A)	1		
3	002 37040 00	FLANGE NUT	1		

NOTES

NOTES

NOTES

NOTES

NOTES

NOTES

NOTES





Robin America, Inc.

940 Lively Blvd., Wood Dale, IL 60191 • Tel: (708) 350-8200 • Fax: (708) 350-8212