



Robin Engine

Model EC08 for BOMAG PARTS CATALOG

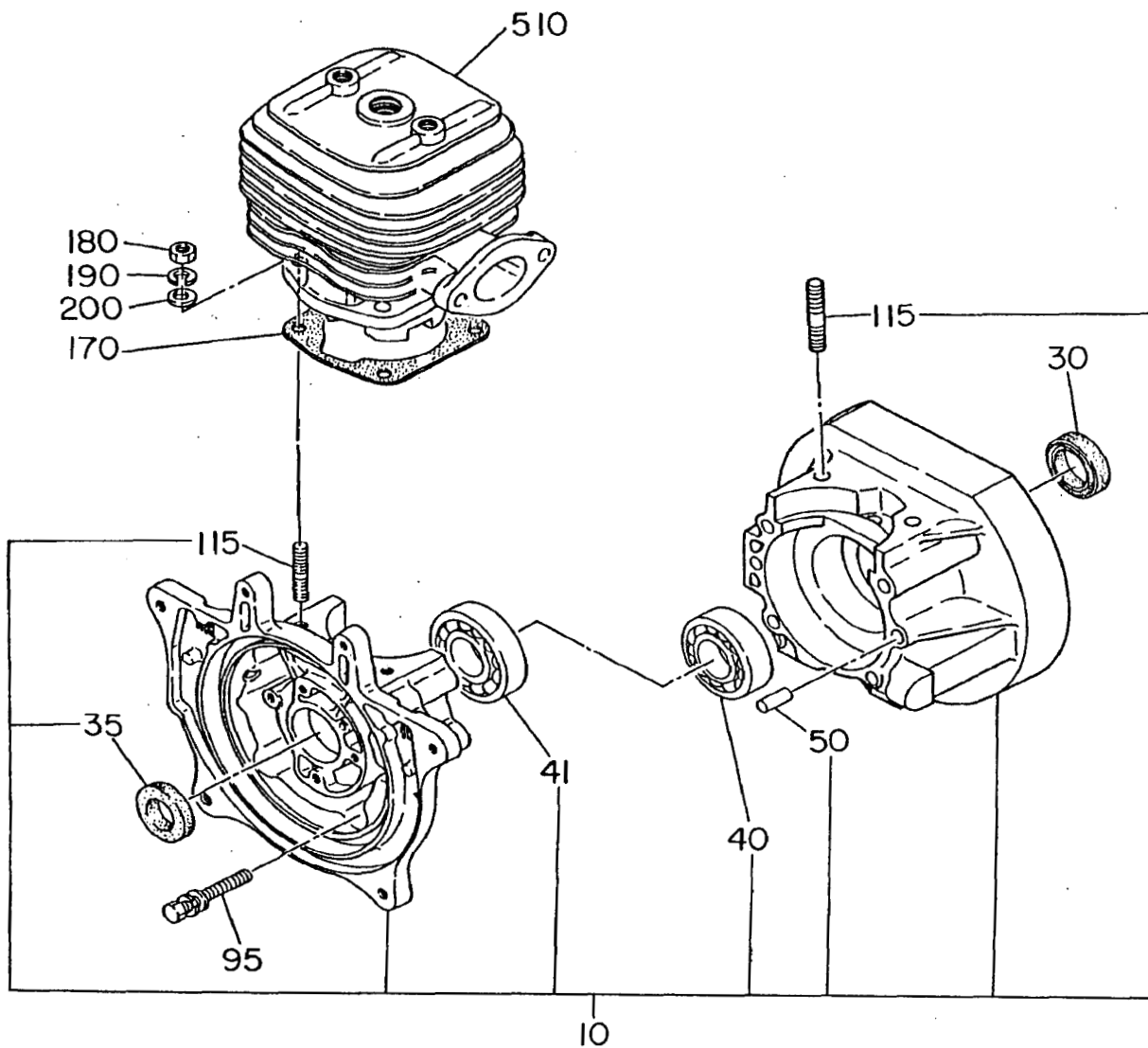
Spec. No. EC08D * 0820

*For Bomag Rammers
Models BT50 + BT60
New models 1998*

 **FUJI HEAVY INDUSTRIES LTD.**

ISSUE EMD-EP1097

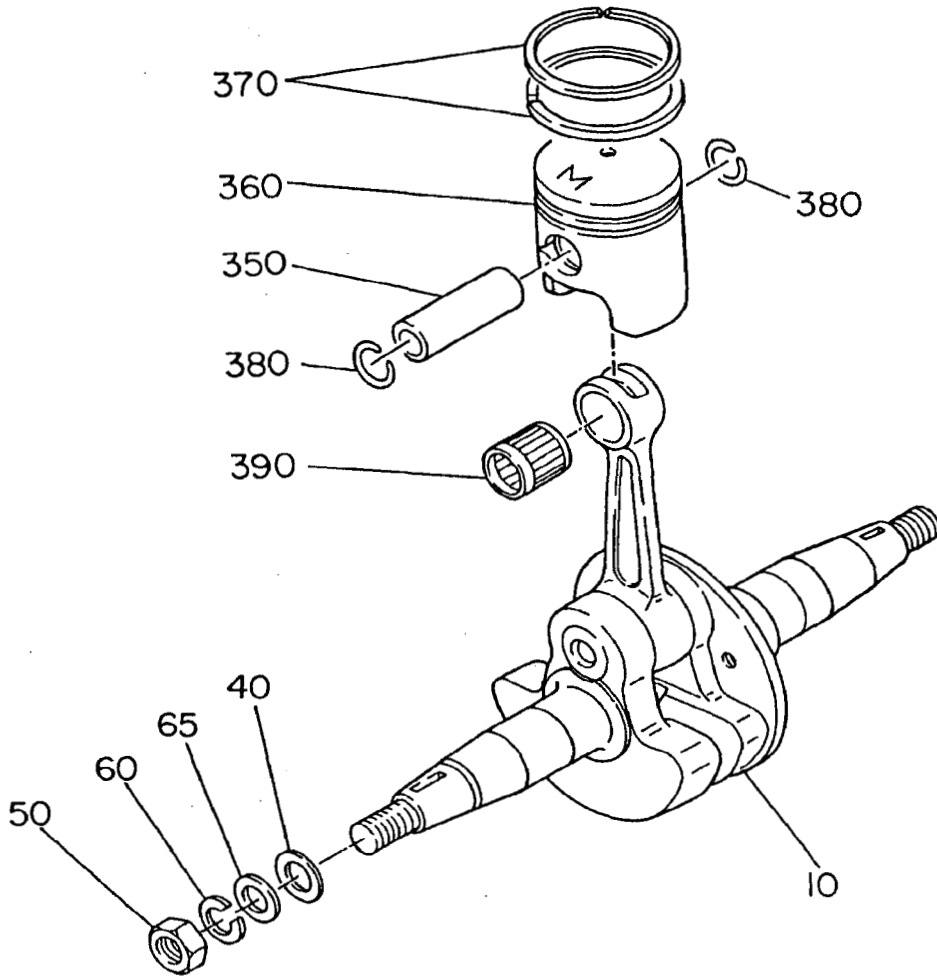
FIG. 100



1 CRANKCASE

REF.	PART NUMBER	PART NAME	QTY	REMARKS	CODE NO. FROM-TO	INTERCHANGEABLE PART NUMBER	UNIT PRICE	FIG.
10	580-10570-00	CRANKCASE CP	1		-			100
30	044-02000-20	OIL SEAL	1		-			100
35	044-02000-20	OIL SEAL	1		-			130
40	060-02000-20	BALL BEARING	1	BB6204C3	-			100
41	060-02000-20	BALL BEARING	1	BB6204C3	-			100
50	005-26061-40	DOWEL PIN	2		-			100
95	001-14064-50	BOLT AND WASHER	4		-			100
115	010-50649-40	STUD	4		-			100
170	580-15018-00	GASKET	1		-			120
180	002-18060-00	NUT	4		-			100
190	003-20060-00	SPRING WASHER	4		-			100
200	003-10060-00	WASHER	4		-			100
510	580-15014-00	CYLINDER CP	1		-	EC08A-1001A		130

FIG. 200



2 CRANKSHAFT PISTON

REF.	PART NUMBER	PART NAME	QTY	REMARKS	CODE NO. FROM-TO	INTERCHANGEABLE PART NUMBER	UNIT PRICE	FIG.
10	580-20290-01	CRANKSHAFT AY	1		-			220
40	129-25001-03	SPACER	2		-			220
50	002-18100-00	NUT	1		-			200
60	003-20100-00	SPRING WASHER	1		-			200
65	003-10100-00	WASHER	1		-			200
350	580-25007-00	PISTON PIN	1		-	EC08A-2105A		200
360	580-25006-00	PISTON	1		-	EC08A-2104A		200
370	500-00081-00	PISTON RING SET	1		-	EC08A-S0100		200
380	056-51199-90	CLIP	2		-	EC04-209		200
390	061-01200-10	NEEDLE BEARING	1		-			200

FIG. 300

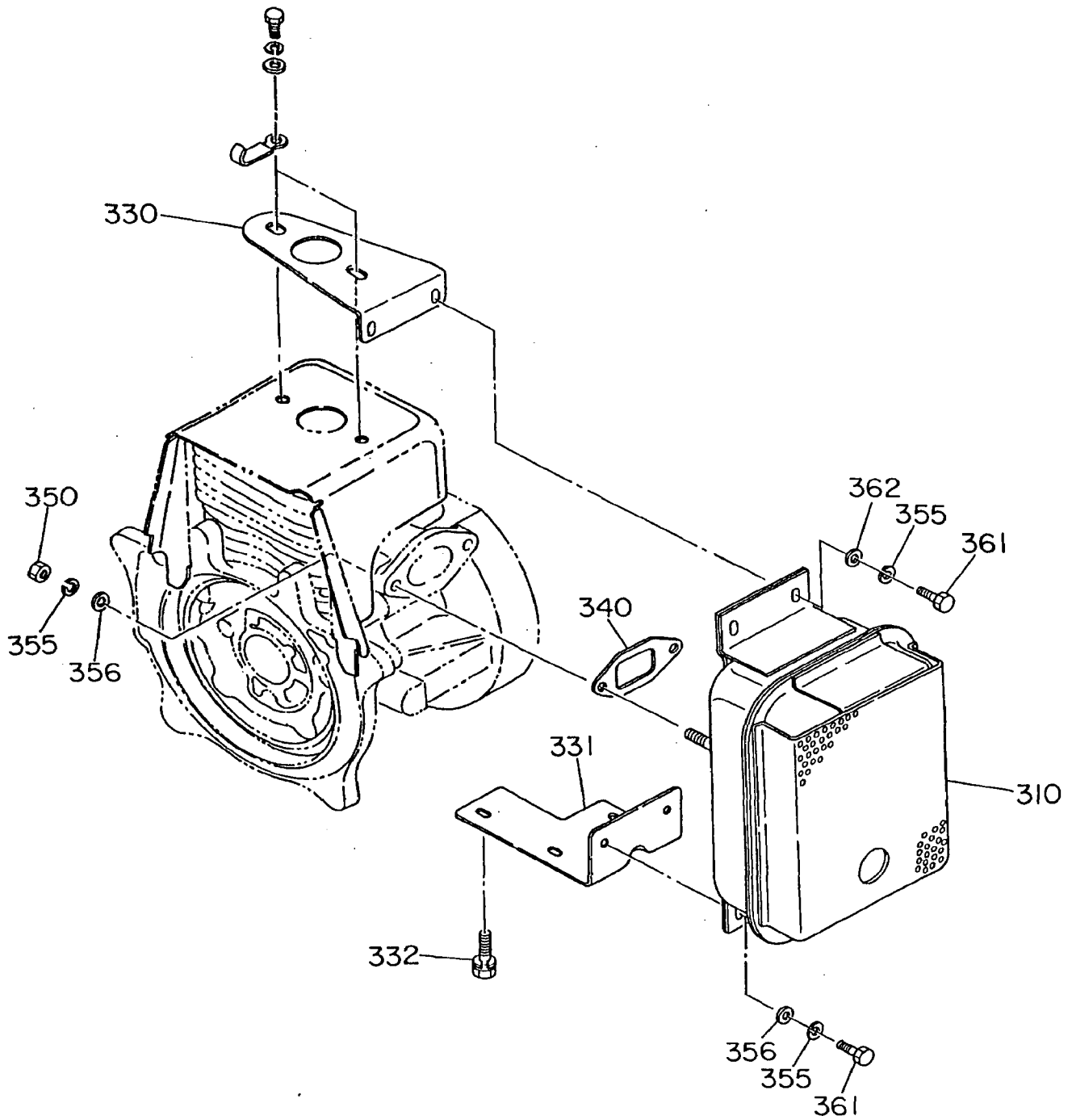
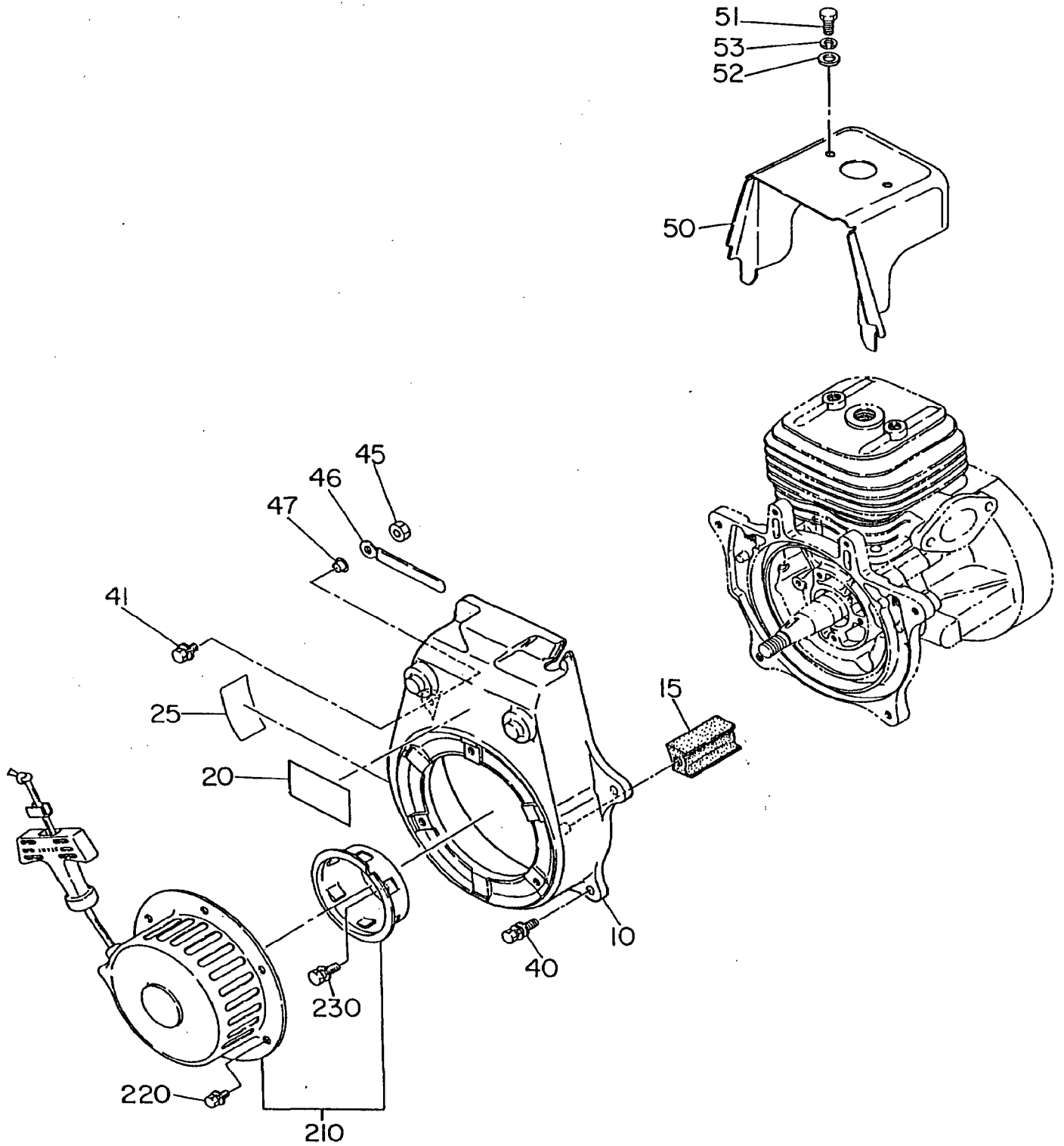


FIG. 500



REFER TO FIG. 5100

FIG. 5100 リコイル スタータ AY
RECOIL STARTER AY

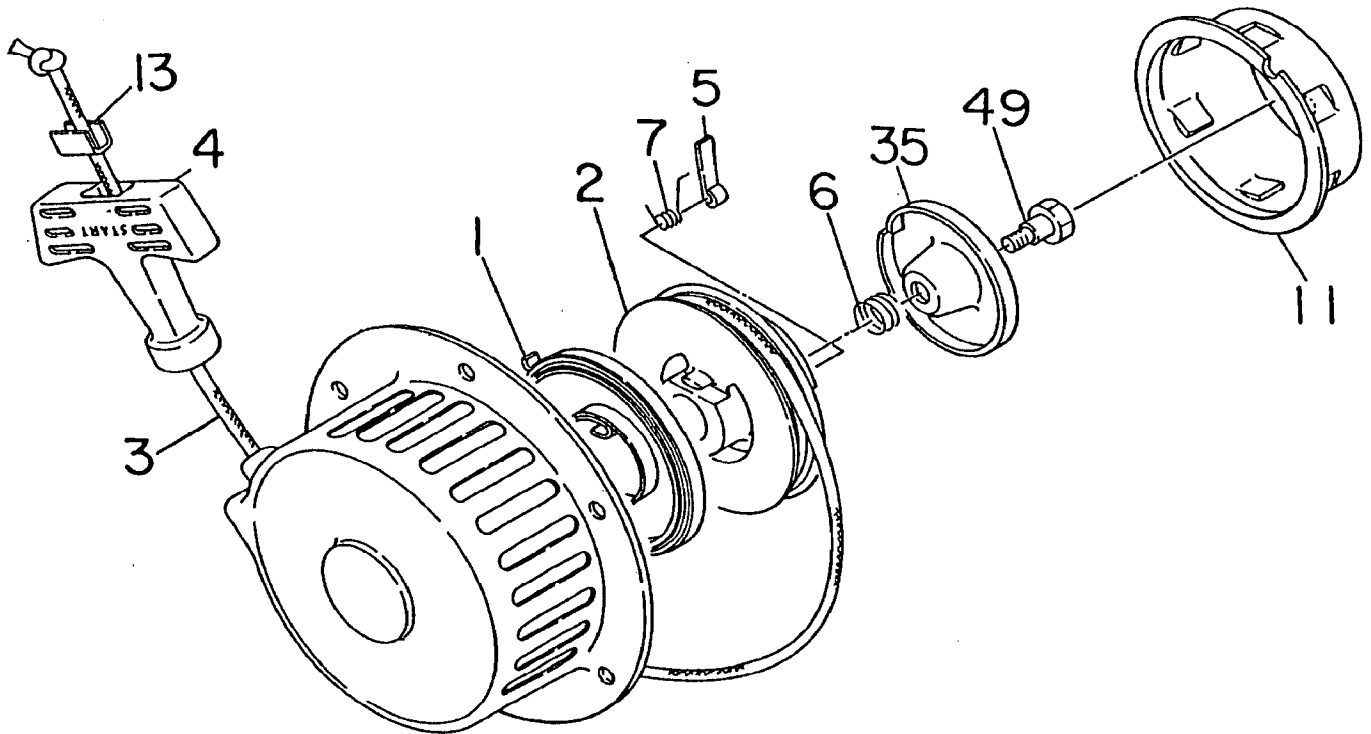


FIG. 700

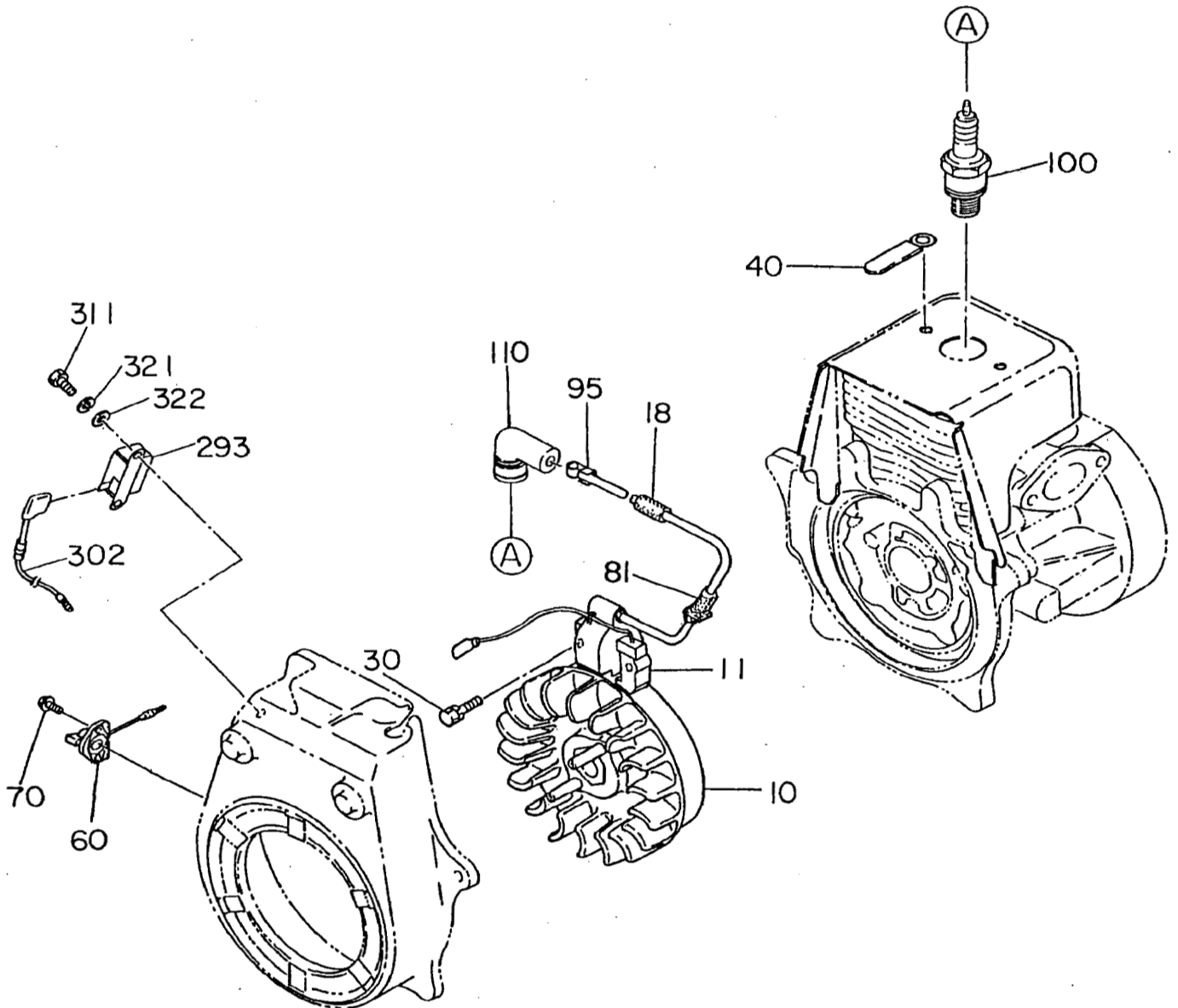


FIG. 900

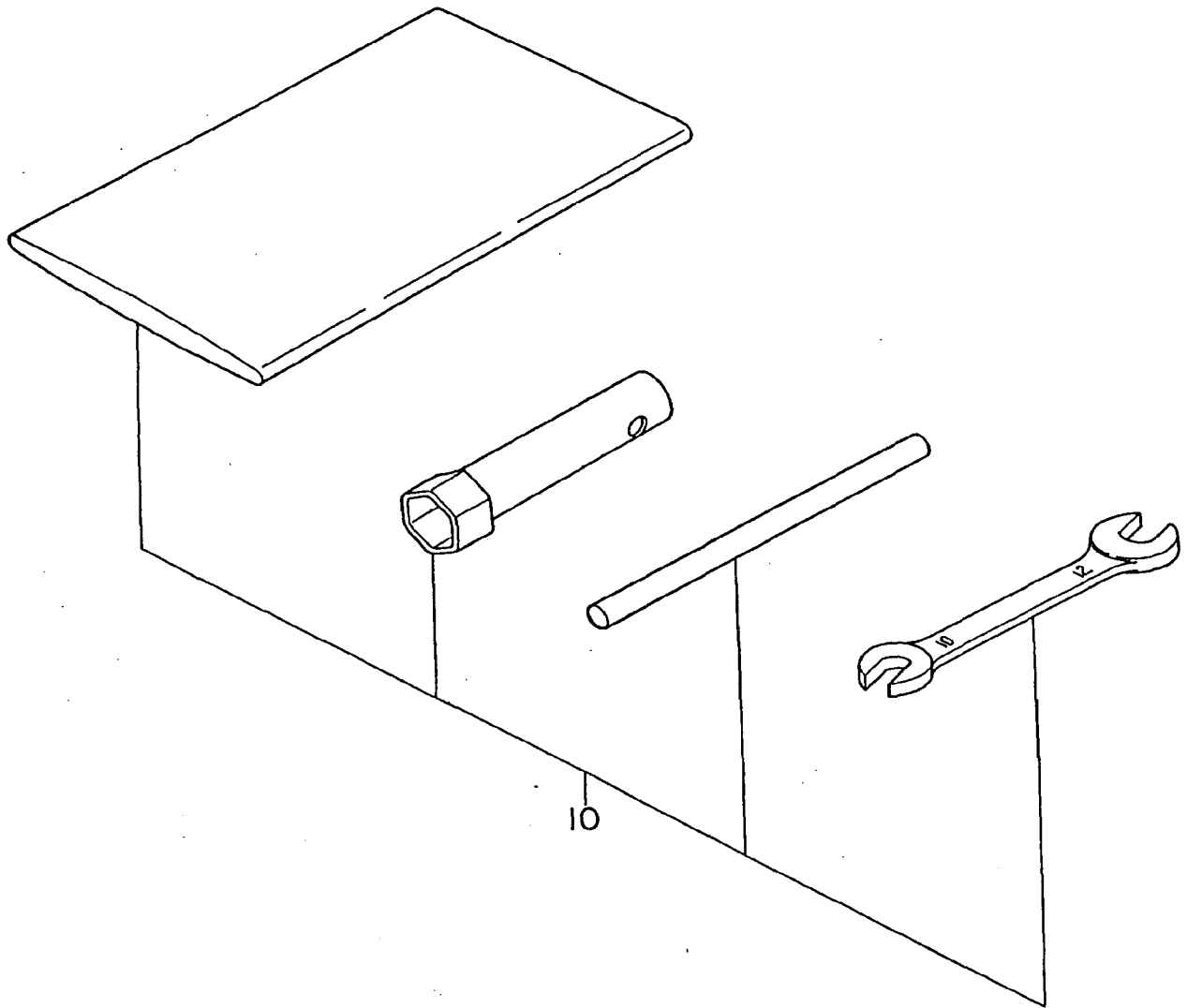


FIG. 1 000

