



PARTS CATALOG

ROBIN AMERICA, INC.
EP-RX-75
REV. DATE 11-99

ロビンエンジン
Robin Engines

Model

EC10

MEIWA RAMMER E/G SPEC: EC100DD6240
INGERSOLL RAND

FOB UNIT PRICE LIST

ISSUED NOVEMBER 1, 1990

THE TERM OF VALIDITY: AUGUST 31, '92

MEWA RAMMER
MODEL: RX-75

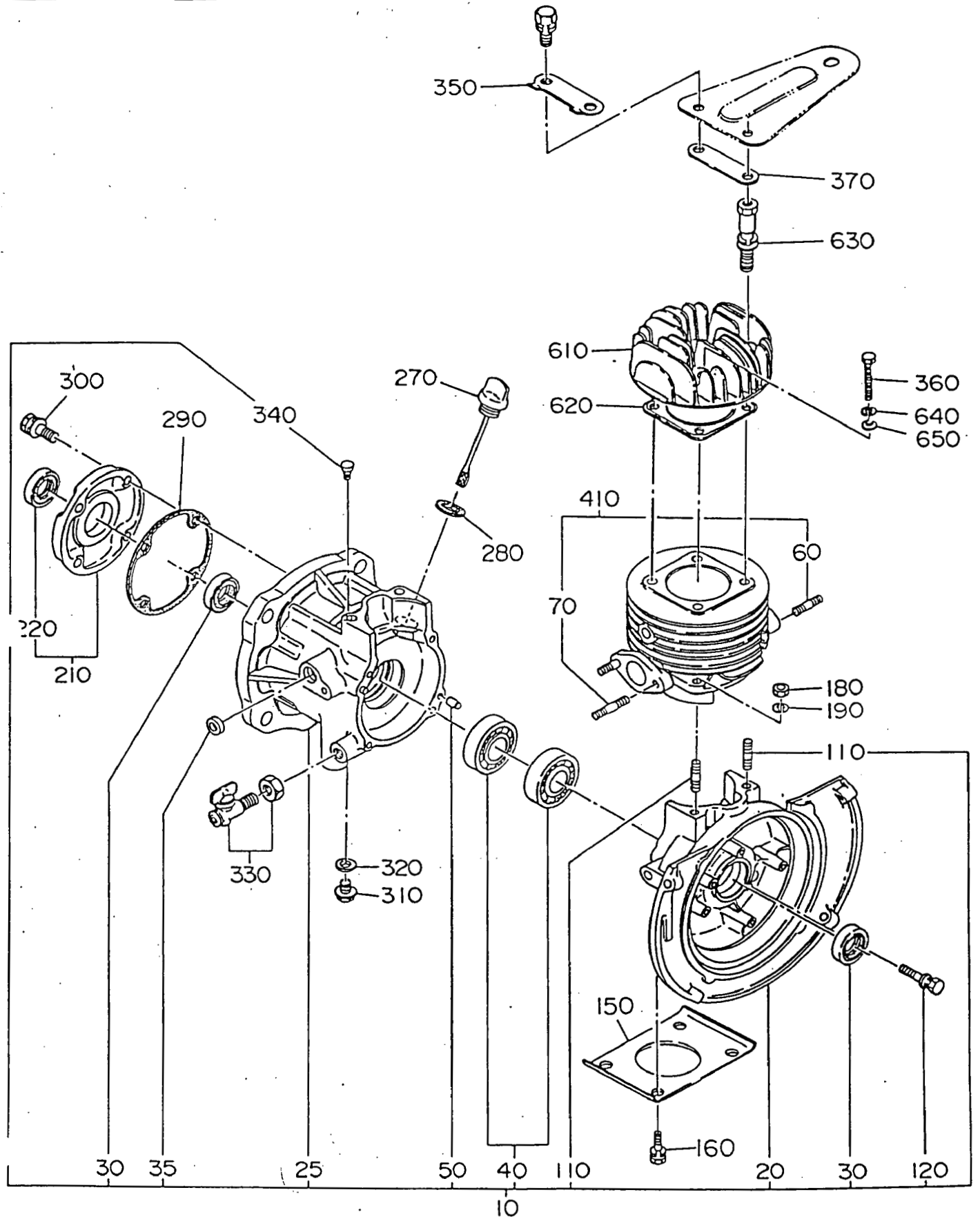
FUJI HEAVY INDUSTRIES LTD.
富士重工業株式会社

GROUP INDEX

1. CRANKCASE GROUP	100
2. CRANKSHAFT, PISTON GROUP	200
3. INTAKE, EXHAUST GROUP	300
4. GOVERNOR, OPERATION	400
5. COOLING, STARTING	500
6. FUEL, LUBRICANT GROUP	600
7. ELECTRIC DEVICE GROUP	700
9. ACCESSORIE, LABEL	900
10. OTHERS	1000

Note: Contents of this list is subject to change without notice.

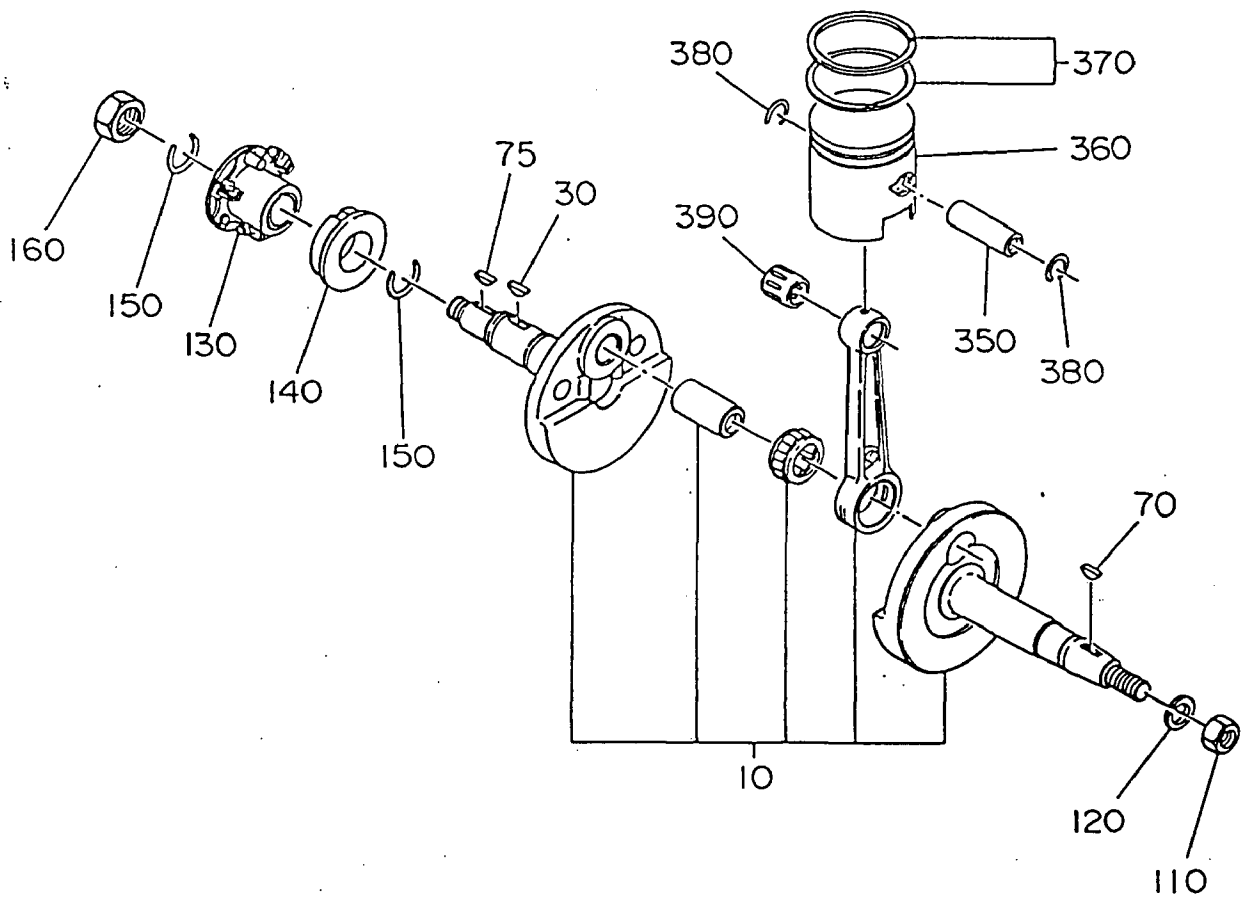
Fig. 100



1 CRANKCASE GROUP

REF.	PART NUMBER	PART NAME	QTY	REMARKS	CODE NO.	INTERCHANGE P/NO.	UNIT P	FIG.
10	106-10811-01	CRANKCASE CP	1		-			100
20	106-10121-03	CRANKCASE 1	1		-			100
25	106-10801-23	CRANKCASE 2	1		-		NOT FOR SALE	100
30	044-02000-10	OIL SEAL	2	TB20328	-			100
35	044-00800-10	OIL SEAL	1	VC8144	-			100
40	060-02000-20	BALL BEARING	2	BB-6204C3	-			100
50	031-00600-10	DOWEL PIN	2		-			100
60	001-31083-01	STUD	2		-			100
70	001-31063-01	STUD	2		-			100
110	010-50700-10	STUD	4		-			100
120	013-00601-00	BOLT AND WASHER AY	4		-			100
170	106-15001-23	GASKET (CYLINDER)	1		-			100
180	017-00700-20	NUT	4		-			100
190	020-30700-10	SPRING WASHER	4		-			100
210	106-12201-01	CRANKCASE COVER CP	1		-			100
220	044-02000-30	OIL SEAL	1	TB20328 (HS70)	-			100
230	060-02000-10	BALL BEARING	1	BB-6004	-			100
270	106-63601-01	OIL GAUGE CP	1		-			100
280	021-01600-10	GASKET	1		-			100
290	106-15005-03	GASKET (CASE COVER)	1		-			100
300	001-66062-00	BOLT	4		-			100
301	003-20060-00	SPRING WASHER	4		-			100
302	003-10060-00	WASHER	4		-			100
310	040-10800-10	PLUG	1		-	040-10800-11		100
320	021-00800-10	GASKET	1		-			100
330	064-30001-01	DRAIN COCK	1		-			100
340	067-00701-00	AIR BREATHER	1		-			100
350	105-65101-21	LOCK WASHER CP	1		-			100
360	010-30800-10	BOLT	2		-			100
370	106-35302-01	SPACER CP	1		-			100
410	106-12405-11	CYLINDER CP	1		-			100
610	106-13001-13	CYLINDER HEAD	1		-			100
620	106-15101-11	GASKET CP (HEAD)	1		-			100
630	013-00800-71	BOLT AND WASHER AY	2		-			100
640	003-20080-00	SPRING WASHER	2		-			100
650	003-10080-00	WASHER	2		-			100
960	106-99001-07	GASKET SET	1		-			100

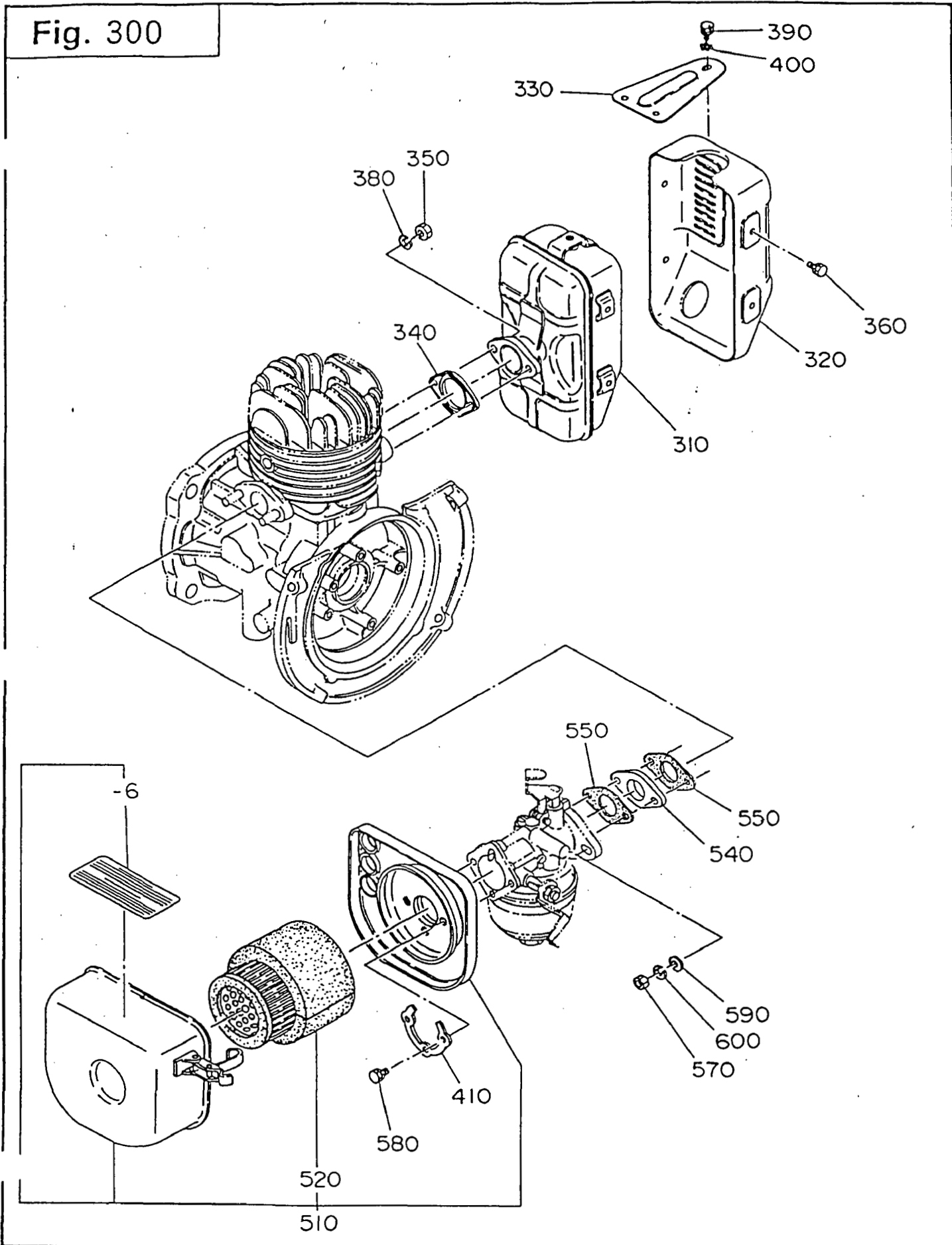
Fig. 200



2 CRANKSHAFT, PISTON GR

REF.	PART NUMBER	PART NAME	QTY	REMARKS	CODE NO.	INTERCHANGE P/NO.	UNIT P	FIG.
10	106-20203-20	CRANKSHAFT AY	1		-			200
30	032-30400-10	WOODRUFF KEY	1		-			200
70	005-32042-01	WOODRUFF KEY	1		-			200
110	017-01000-10	NUT	1		-			200
120	003-20100-00	SPRING WASHER	1		-			200
130	106-41706-01	GOVERNOR PLATE CP	1		1521-			200
	106-41702-01	GOVERNOR PLATE CP	1		-1520	106-41706-01		200
140	106-41903-03	GOVERNOR SLEEVE	1		-			200
150	056-52000-20	CLIP	1		-			200
350	106-23301-23	PISTON PIN	1		-			200
360	106-23401-11	PISTON COMPL	STD	1	STD			200
	106-23402-11	PISTON CP	0.25	1	0.25 OVERSIZE			200
	106-23403-11	PISTON CP	0.50	1	0.50 OVERSIZE			200
370	106-23501-07	RING SET STD	STD	1	STD			200
	106-23502-07	RING SET	0.25	1	0.25 OVERSIZE			200
	106-23503-07	RING SET	0.50	1	0.50 OVERSIZE			200
380	056-51200-10	CLIP	2		-			200
390	061-01200-10	NEEDLE BEARING	1		-			200

Fig. 300



3 INTAKE, EXHAUST GROUP

REF.	PART NUMBER	PART NAME	QTY	REMARKS	CODE NO.	INTERCHANGE P/NO.	UNIT P	FIG.
310	106-30116-31	MUFFLER CP	1		-			300
320	106-34251-21	MUFFLER COVER CP	1		-			300
330	106-35601-31	BRACKET CP,MUFFLER	1		-			300
340	106-35102-01	GASKET CP(EXHAUST)	1		-			300
350	002-19080-00	NUT	2		-			300
360	001-16061-00	BOLT & WASHER AY	4		-			300
380	003-20080-00	SPRING WASHER	2		-			300
390	001-13081-60	BOLT & WASHER AY	1		-			300
400	020-50800-11	LOCK WASHER	1		-			300
410	106-35201-01	LOCKWASHER(CLEANER)	1		-			300
510	106-32717-20	AIR CLEANER AY	1		-			300
- 2	105-32721-08	PACKIN	1		-			300
- 6	106-32738-08	LABEL	1		-			300
520	106-32704-07	ELEMENT SET	1		-			300
540	106-32902-03	INSULATOR	1		-			300
550	106-35001-03	GASKET(INSULATOR)	2		-			300
570	002-17060-00	NUT	2		-			300
580	001-13051-00	BOLT AND WASHER AY	3		-			300
590	003-10060-00	WASHER	2		-			300
600	003-20060-00	SPRING WASHER	2		-			300

Fig. 400

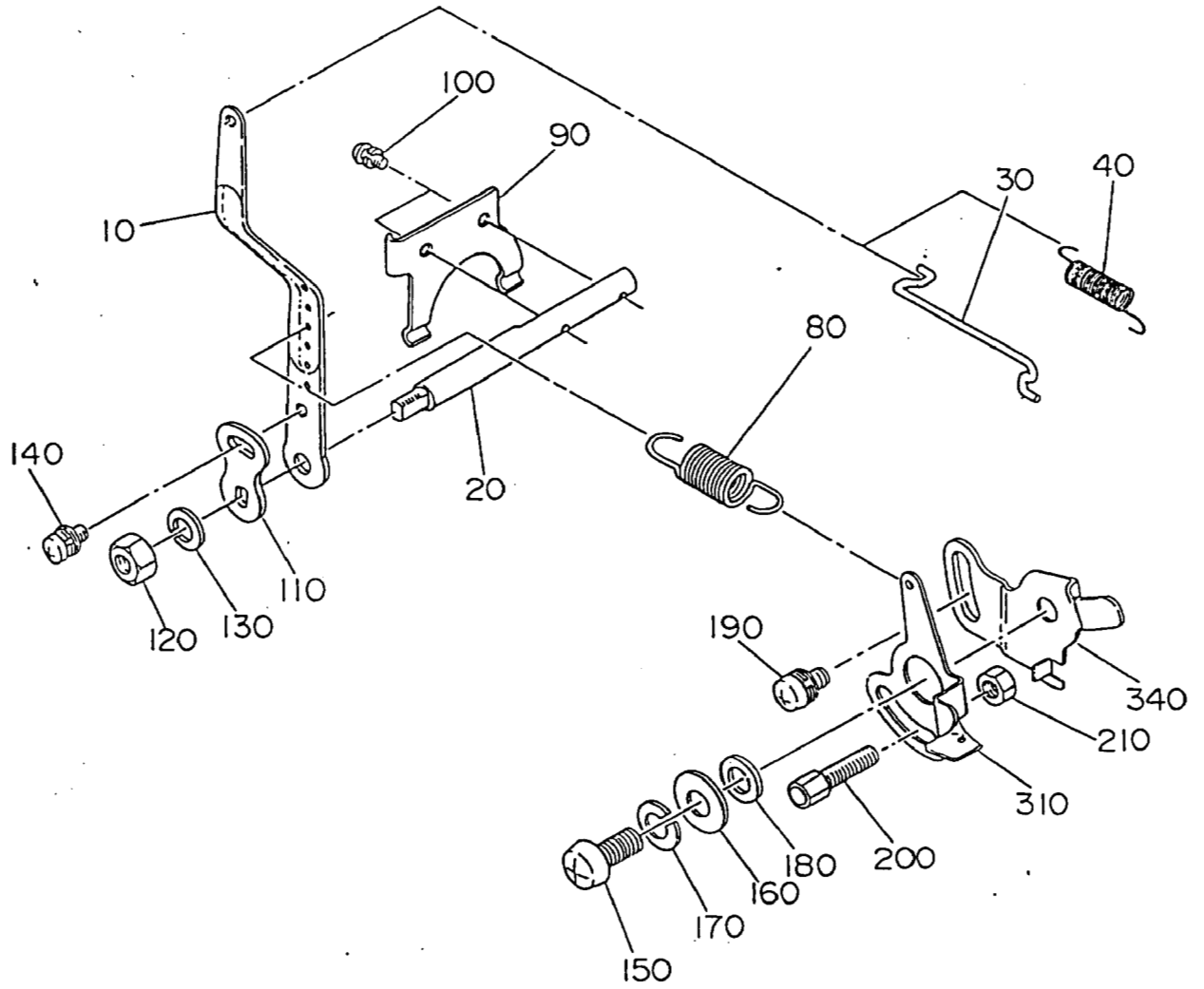


Fig. 500

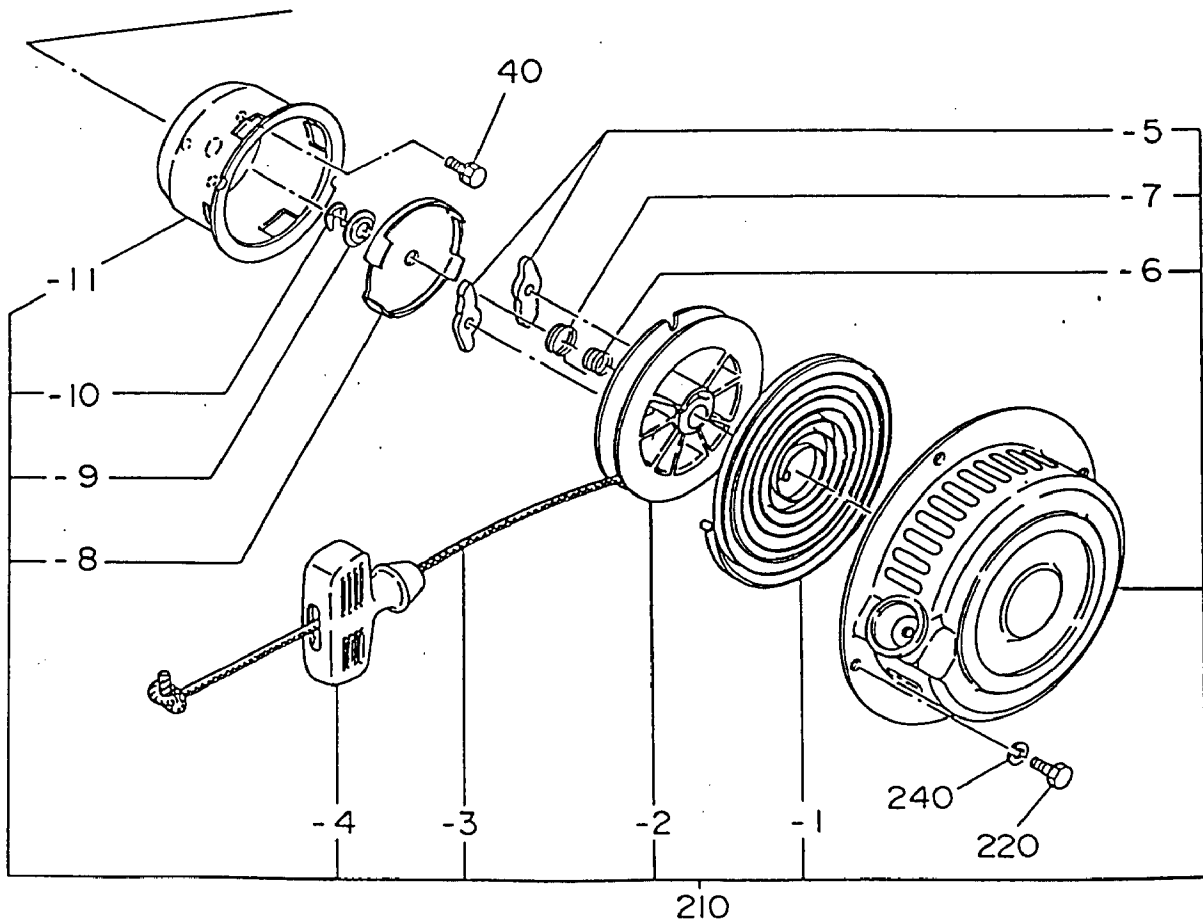
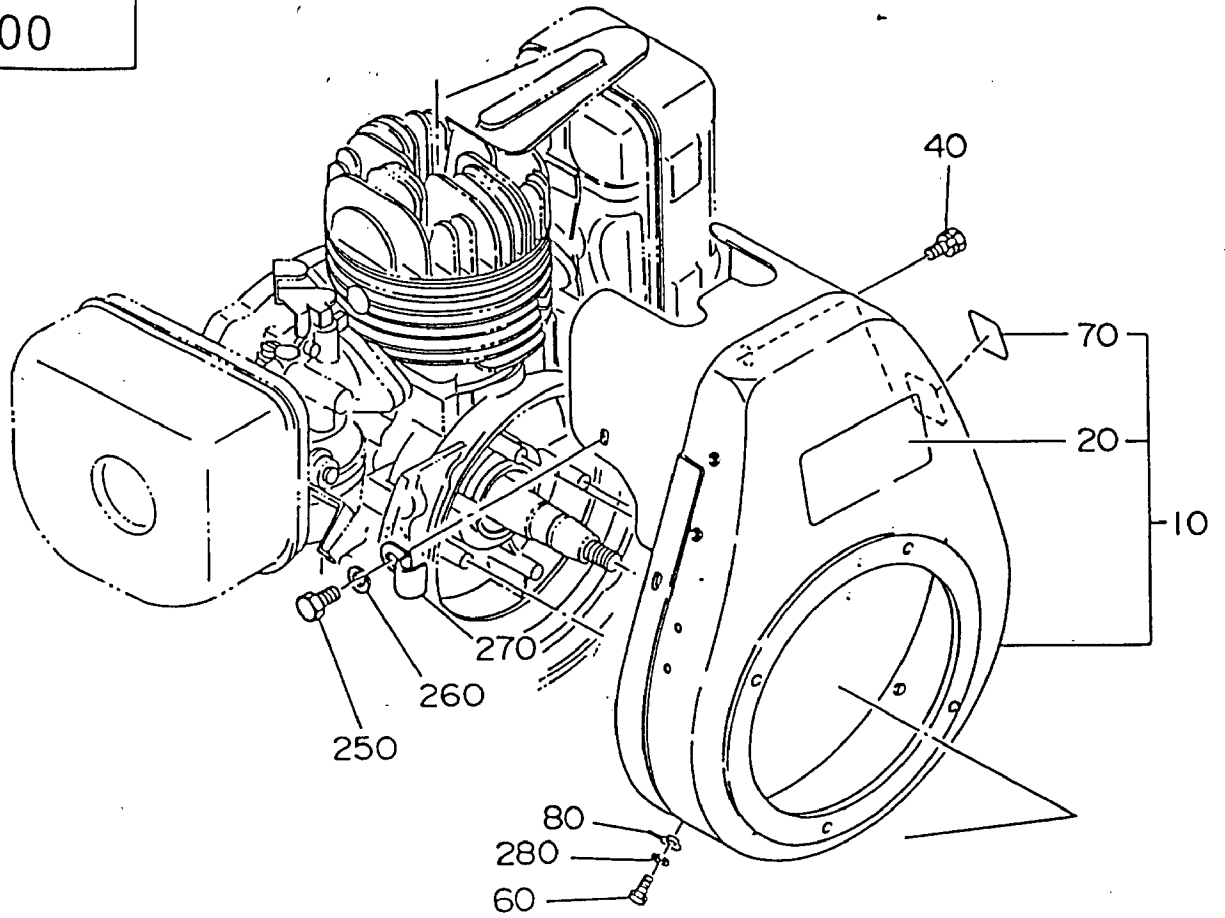
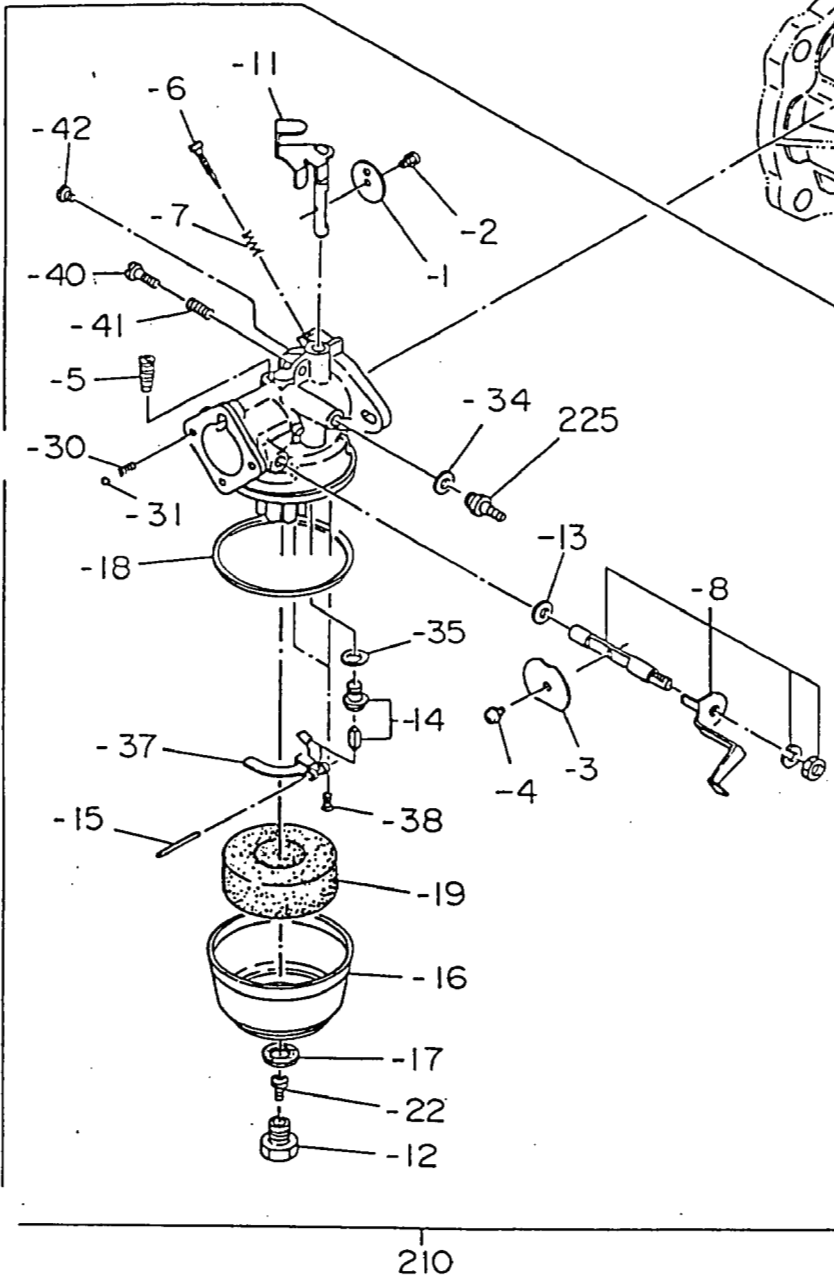
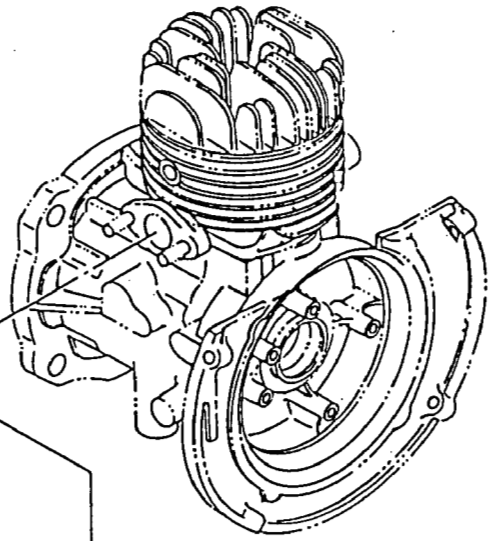
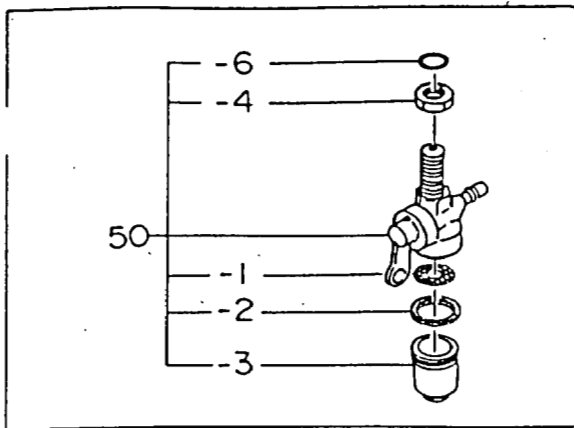
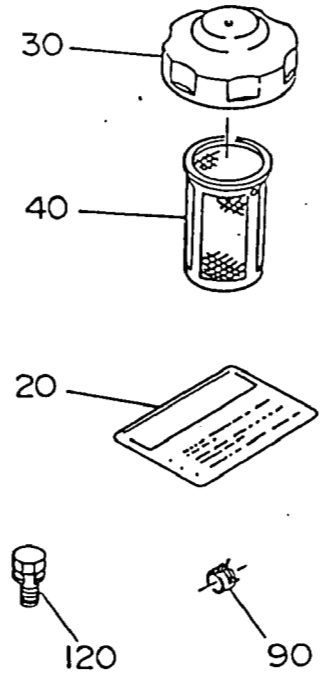


Fig. 600



PARTS TO BE SHIPPED LOOSE



6 FUEL, LUBRICANT GROUP

REF.	PART NUMBER	PART NAME	QTY	REMARKS	CODE NO.	INTERCHANGE P/NO.	UNIT P	FIG.
20	106-92003-03	LABEL(CAUTION)	1		-			600
30	043-04400-33	FUEL TANK CAP CP	1		-			600
40	064-13100-10	FUEL FILTER	1		-			600
50	064-20014-01	FUEL STRAINER AY	1		-			600
- 1	064-20014-20	SCREEN	1		-			600
- 2	064-20014-30	RUBBER PACKING	1		-			600
- 3	064-20014-10	CUP	1		-			600
- 4	064-20029-20	LOCK NUT	1		-			600
- 6	064-20003-30	O-RING	1		-			600
- 8	064-20027-90	LOCK BOLT	1		-			600
90	056-11000-30	HOSE CLAMP	2		-			600
120	001-13081-60	BOLT & WASHER AY	2		-			600
140	085-10400-00	RUBBER PIPE	1	4.5X11XM	-			600
210	106-62516-00	CARBURETOR AY	1		-			600
- 1	106-62538-08	THROTTLE VALVE	1		-			600
- 2	209-62351-08	SCREW	1		-			600
- 3	106-62554-08	VALVE CHOKE	1		-			600
- 4	209-62351-08	SCREW	1		-			600
- 5	207-62420-08	PILOT JET	1		-			600
- 6	106-62436-08	PILOT SCREW	1		-			600
- 7	206-62446-08	SPRING	1		-			600
- 8	106-62524-28	SHAFT AY(CHOKE)	1		-			600
- 11	106-62534-08	SHAFT AY(THROTTLE)	1		-			600
- 12	206-62350-08	BOLT	1		-			600
- 14	128-62500-08	NEEDLE VALVE	1		-			600
- 15	106-62516-08	FLOAT PIN	1		-			600
- 16	106-62389-08	FLOAT CHAMBER	1		-			600
- 17	206-62431-08	PACKING	1		-			600
- 18	106-62547-08	PACKING	1		-			600
- 19	106-62508-08	FLOAT	1		-			600
- 22	207-62403-08	MAIN JET	1		-			600
- 30	209-62446-08	CHOKE SPRING	1		-			600
- 31	209-62353-08	STEEL BALL	1		-			600
- 33	209-62335-08	BANJO BOLT AY	1		-			600
- 34	207-62345-08	INSERT WASHER	2		-			600
- 35	106-62381-08	WASHER	1		-			600
- 37	106-62511-08	FLOAT ARM	1		-			600
- 38	130-62358-08	SCREW	2		-			600
- 40	106-62358-08	SCREW	1		-			600
- 41	206-62446-08	SPRING	1		-			600
- 42	106-62357-08	GUIDE SCREW	1		-			600

EC100006240

D-RE, MEIWA EXP TCI R

Fig. 700

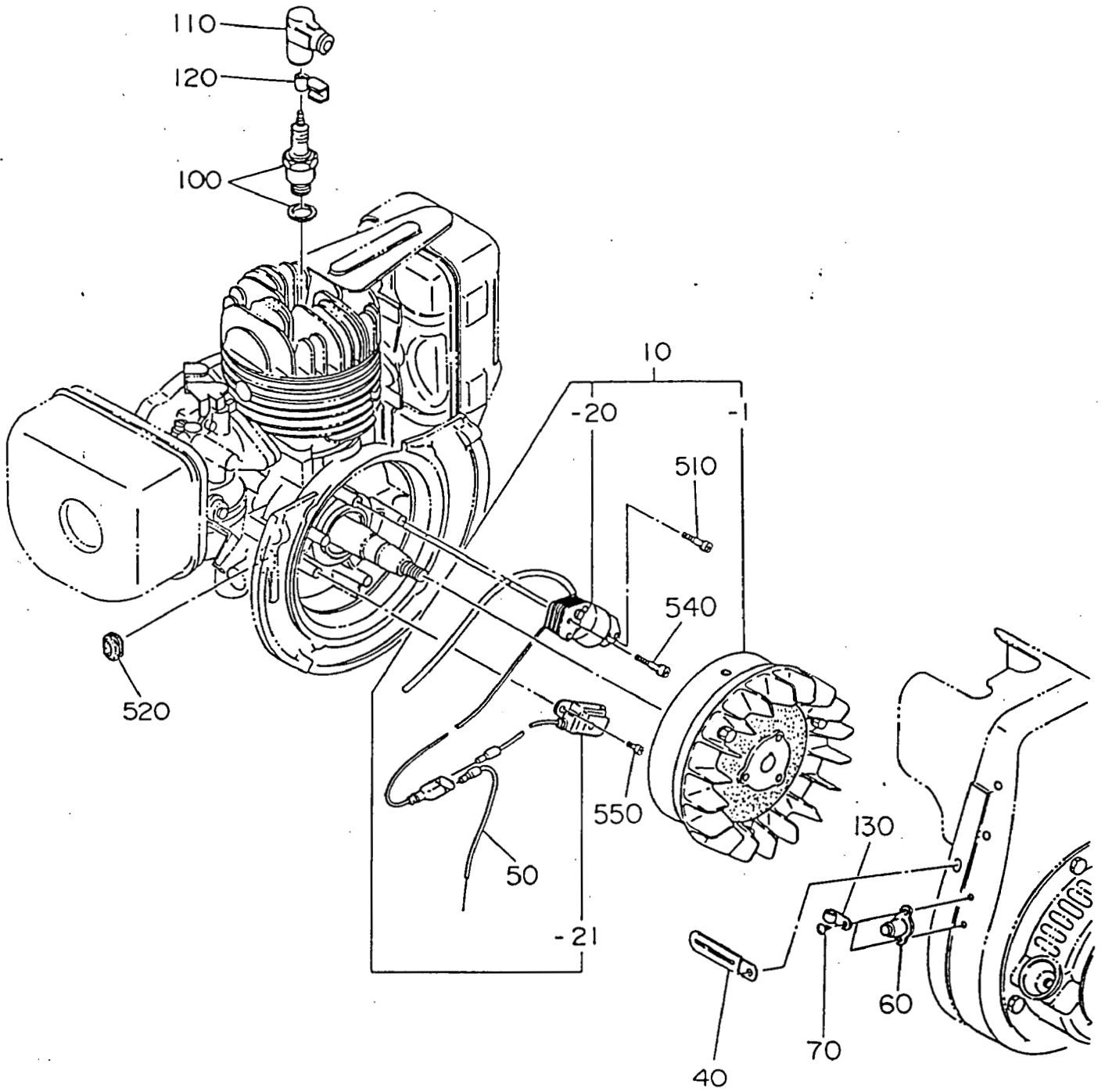


Fig. 900

