

**Robin Industrial Engines®**

# **OEM PARTS MANUAL**

**Model**

**EC10D WACKER**

1193M316



**ROBIN AMERICA, INC.**  
**ROBIN TO WISCONSIN ROBIN**  
**ENGINE MODEL CROSS REFERENCE LIST**

ROBIN

WISCONSIN ROBIN

SIDE VALVE

EY08	W1-080
EY15	W1-145
EY15V	W1-145V
EY20	W1-185
EY20V	W1-185V
EY23	W1-230
EY28	W1-280
EY35	W1-340
EY40	W1-390
EY45V	W1-450V
EY21	EY21W
EY44	EY44W
EY18-3	EY18-3W
EY25	EY25W
EY27	EY27W

OVERHEAD VALVE

EH11	W01-115
EH12	W01-120
EH15	W01-150
EH17	W01-170
EH21	W01-210
EH25	W01-250
EH30	W01-300
EH30V	W01-300V
EH34	W01-340
EH34V	W01-340V
EH43V	W01-430V

TWO CYCLE

EC13V	WT1-125V
-------	----------

DIESEL

DY23	WRD1-230
DY27	WRD1-270
DY30	WRD1-300
DY35	WRD1-350
DY41	WRD1-410

# Engine Model EC10D for WACKER

Specification EC100DD2200

## Introduction

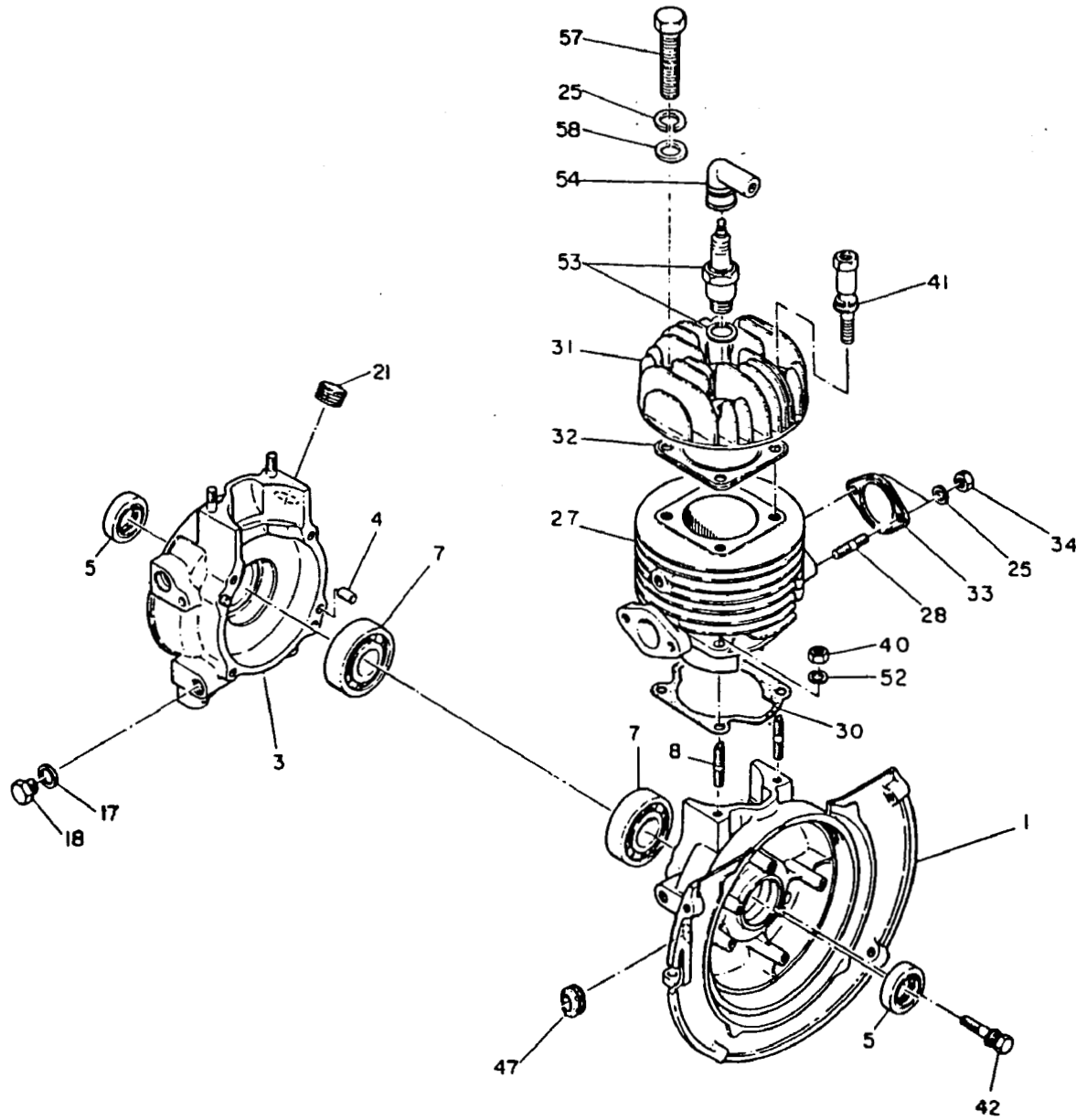
This catalog is designed to identify **Robin Engine** parts.

When ordering parts, it is always advisable to list the engine model, specification number and serial number. With this information, we can check your order for any incorrect part numbers. Use your Service Parts List to ensure proper part number and nomenclature identification.

**ROBIN AMERICA INC.** reserves the right to modify, alter and improve engines and parts. Part numbers and the structure of parts may change from those shown in this catalog.

## Table of Contents

Crankcase and Cylinder .....	1
Crankshaft and Piston .....	2
Blower Housing and Muffler .....	3
Magneto .....	4
Recoil Starter .....	5
Accessories .....	6



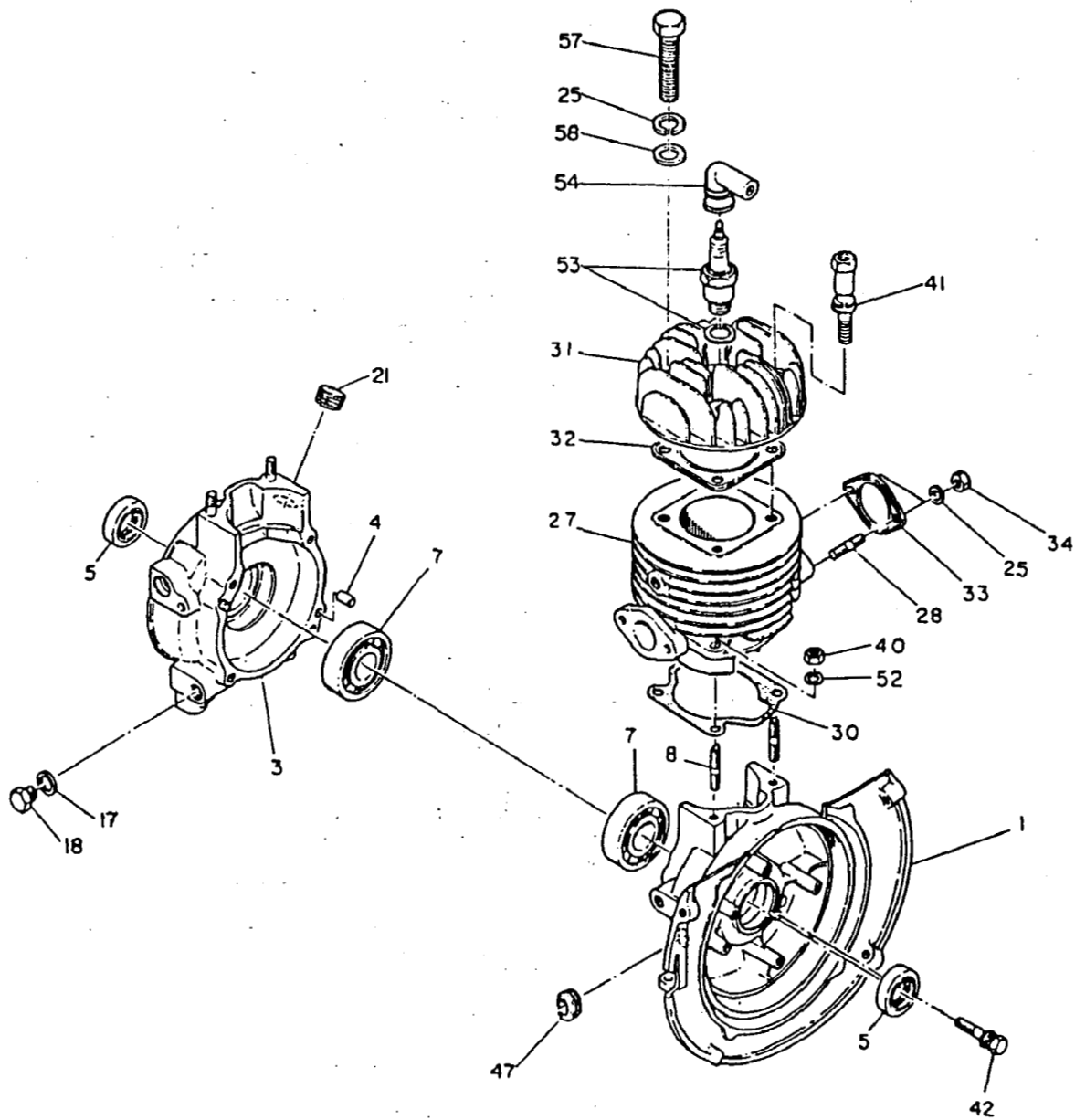
1. CRANKCASE & CYLINDER

EC10D(WACKER)

1. CRANKCASE & CYLINDER

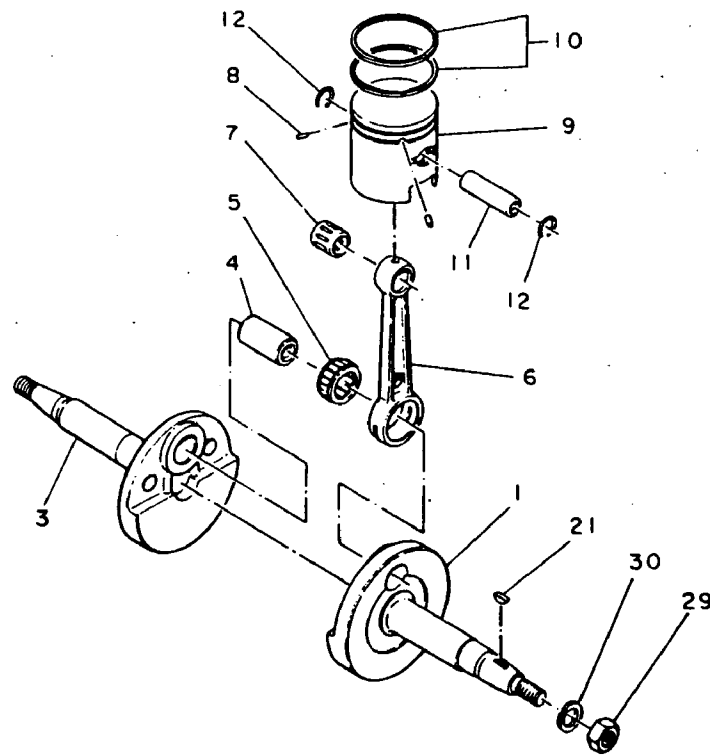
Ref. to Fig. EC10D(WACKER) NOV. '83 1.

Ref. No.	Part Name	Part Number	EC10D				Remarks	Price
			Q'ty		Q'ty			
1	CRANKCASE COMPL.	106 10151 01	1					
4	DOWEL PIN	031 00600 10	2					
5	OIL SEAL	044 02000 10	2					
7	BALL BEARING	060 02000 20	2					
8	STUD	010 50700 10	4					
17	FILLER	009 01100 00	1					
18	GASKET	003 71100 00	1					
21	PLUG(rubber)	042 01600 10	1					
25	SPRING WASHER	003 20080 00	4					
27	CYLINDER COMPL.	106 12407 01	1					
28	STUD	001 31083 01	2					
30	GASKET(cylinder)	106 15001 23	1					
31	CYLINDER HEAD	106 13001 13	1					
32	GASKET(head)	106 15101 11	1					
33	GASKET(exhaust)	106 35102 01	1					
34	NUT	002 19080 00	2					
40	NUT	017 00700 20	4					
41	BOLT AND WASHER ASSY.	013 00800 71	2					
42	BOLT AND WASHER ASSY.	001 14063 50	4					
47	GROMMET	024 10700 90	1					
52	SPRING WASHER	020 30700 10	4					
53	SPARK PLUG	065 01400 10	1			NGK B-4		
54	SPARK PLUG CAP	065 50000 50	1					
57	BOLT	010 30800 10	2					
58	WASHER	003 10080 00	2					



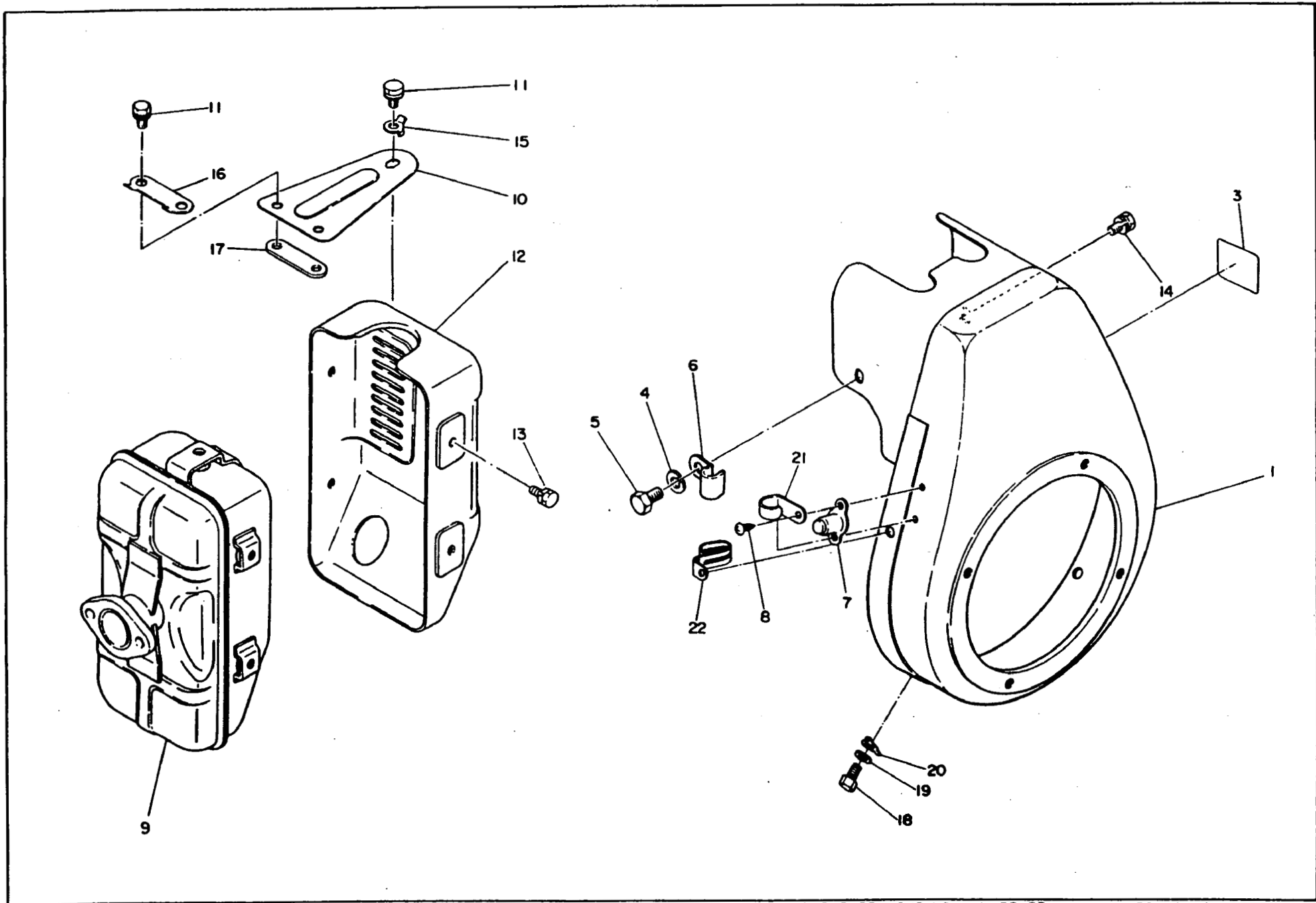
1. CRANKCASE & CYLINDER





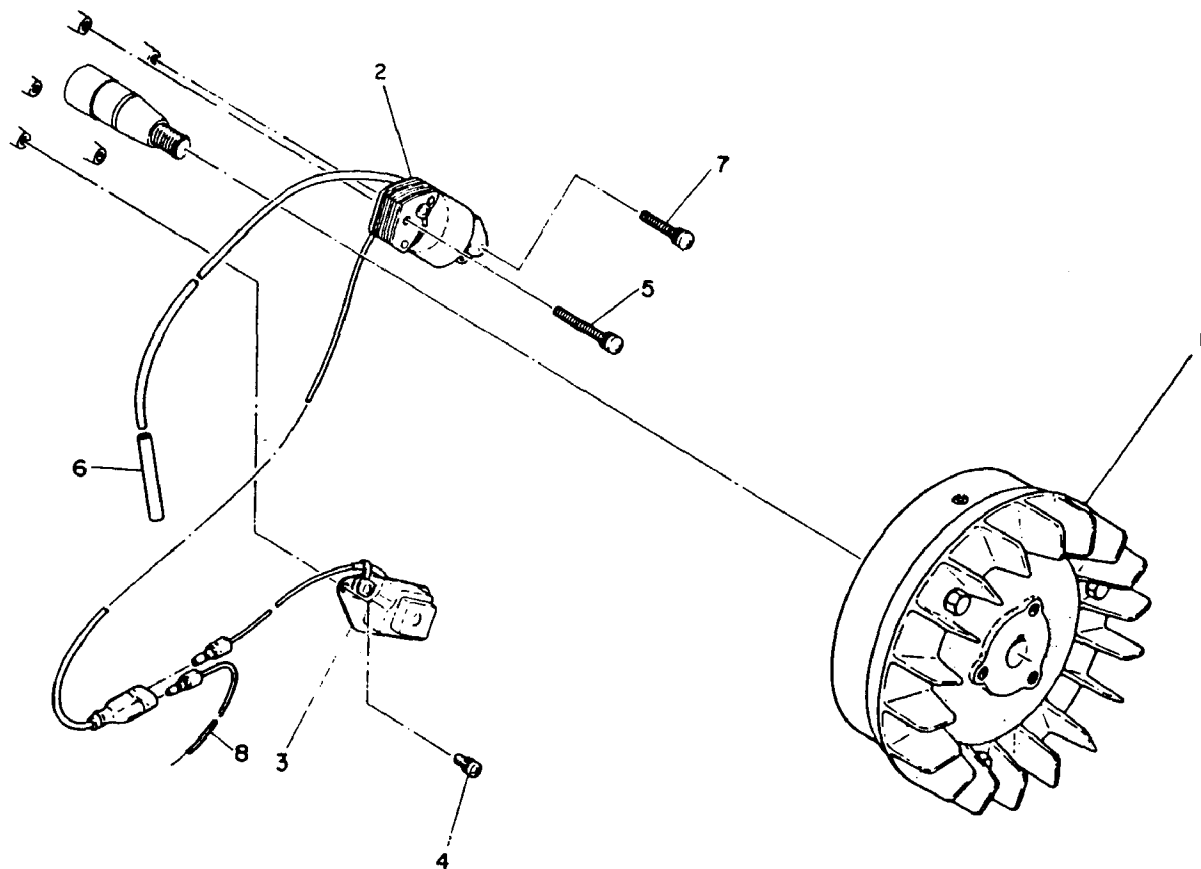






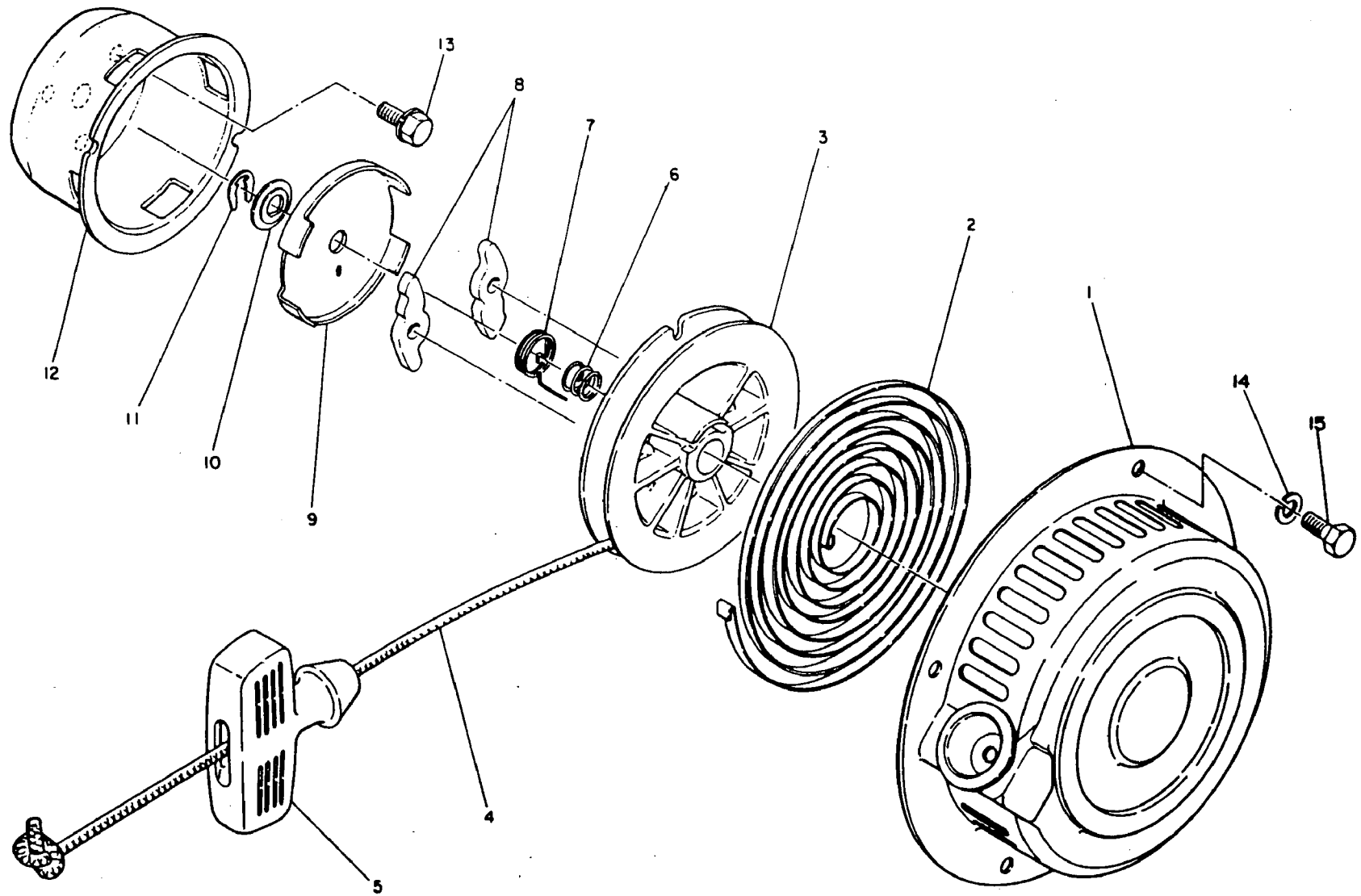
1. BLOWER HOUSING & MUFFLER





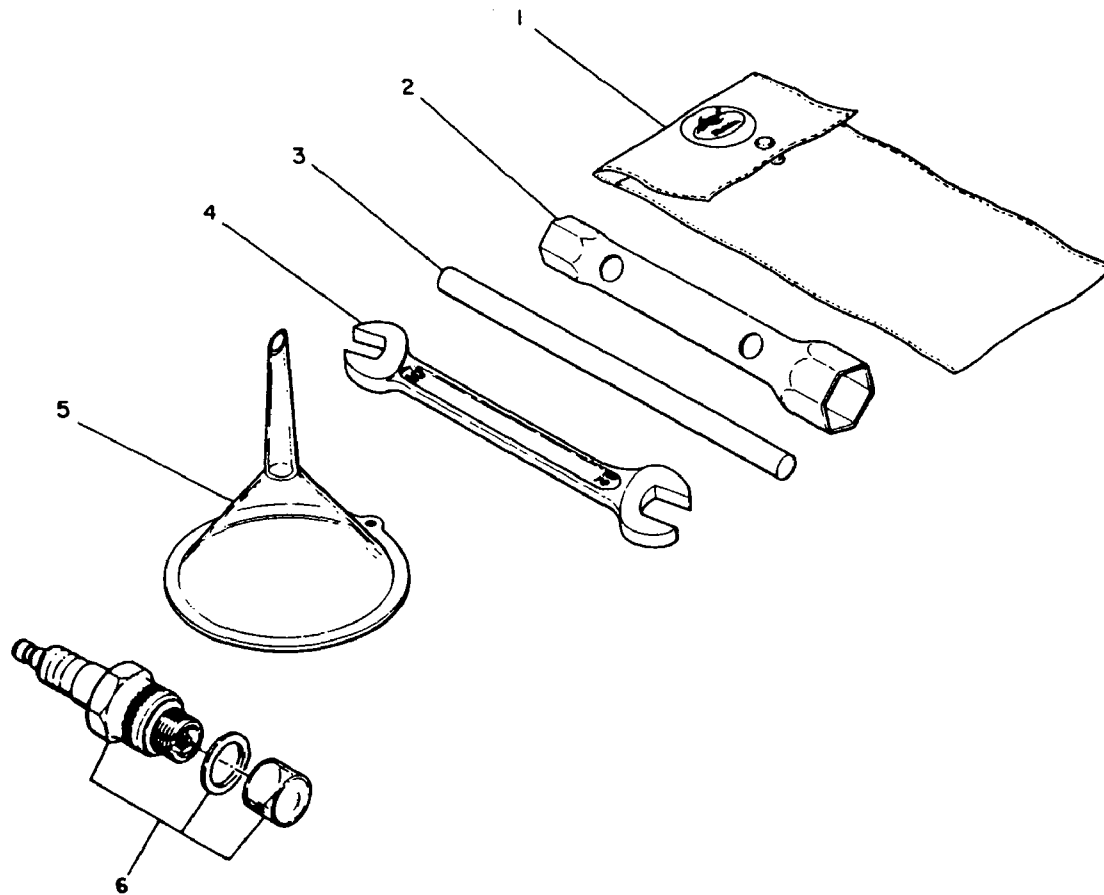
4. MAGNETO





5. RECOIL STARTER









## NOTES



**Robin America, Inc.**

940 Lively Blvd., Wood Dale, IL 60191 • Tel: (708) 350-8200 • Fax: (708) 350-8212