

PARTS MANUAL

Model

EC031

ENGINE

EC031G*0296 for Stone

EC031G*0207 for Magic Screed

EC031G*0206 for Lindley

PUB-EP1390

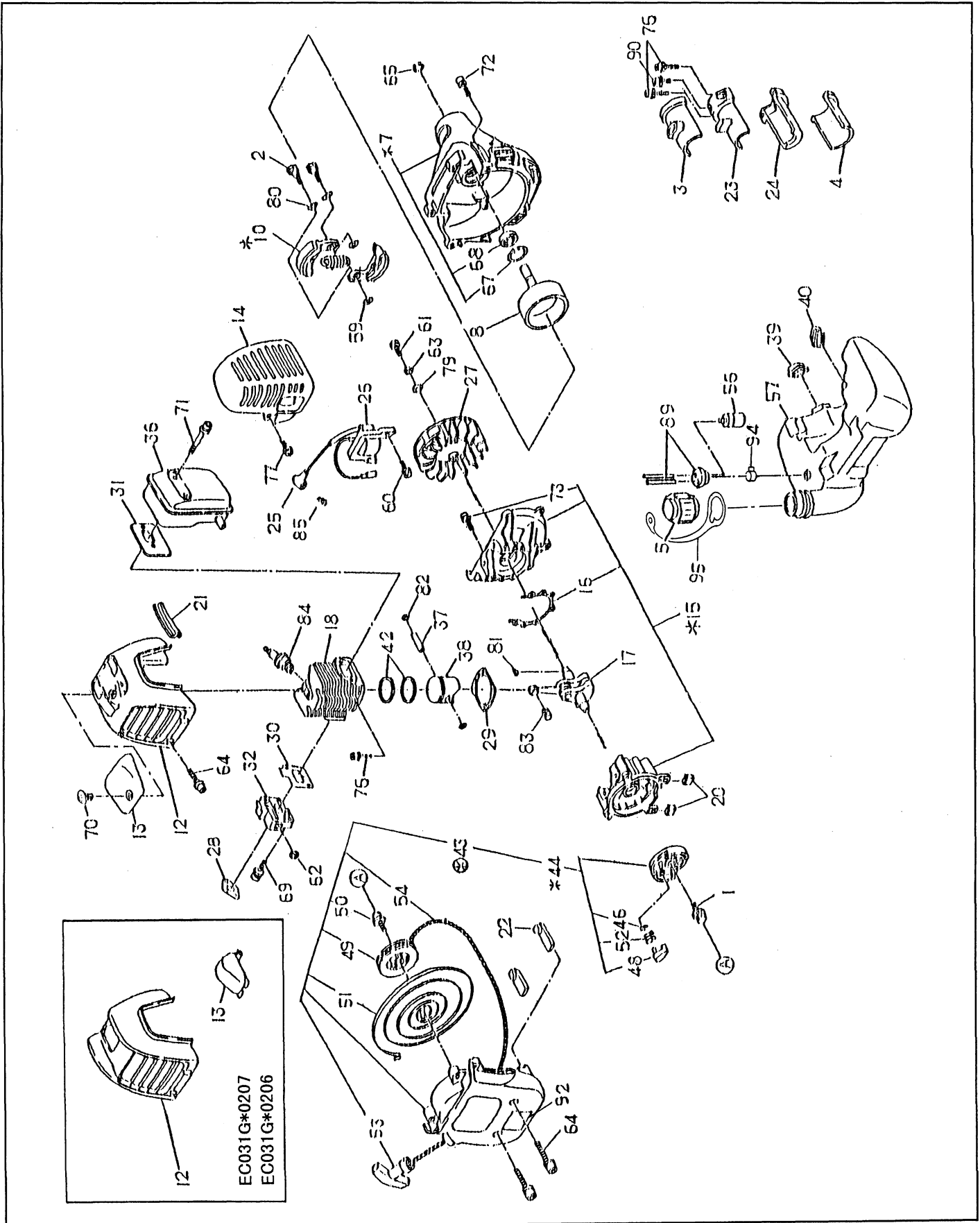
Rev. 7/99

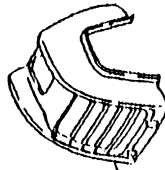
Robin America, Inc.

940 Lively Blvd. • Wood Dale, IL 60191 • Phone: 630-350-8200 • Fax: 630-350-8212
e-mail: sales@robinamerica.com • www.robinamerica.com

© Copyright 1999 Robin America, Inc.

FIG.1 ENGINE·BODY





 12
 EC031G*0207
 EC031G*0206

FIG.1 ENGINE·BODY

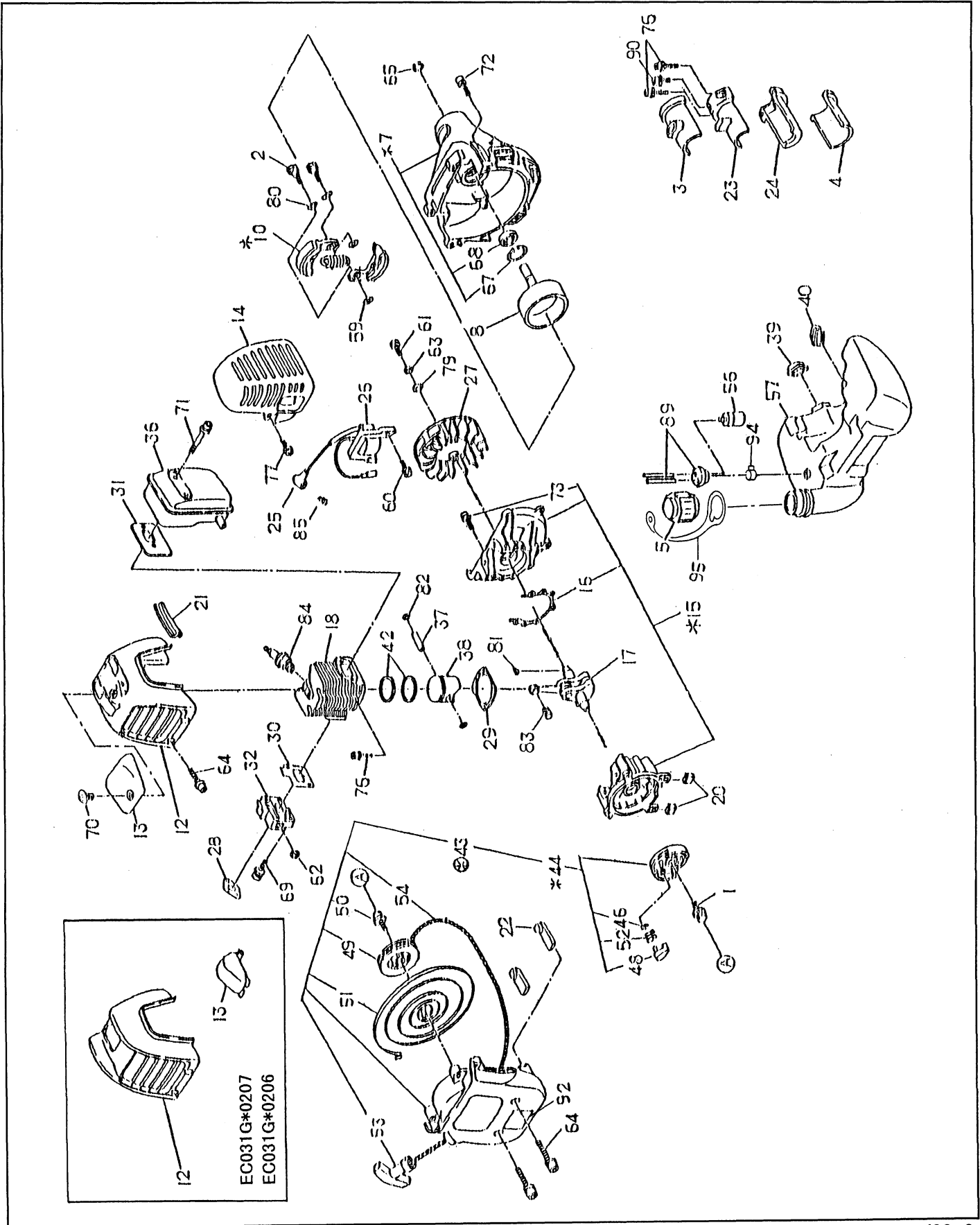
Ref. No.	Part Number	Parts Name	Q'ty			Remarks
			①	②	③	
1	620-20060-00	BOLT ASSY	1	1	1	
2	625-25004-00	BOLT CLUTCH	2	2	2	
3	627-15018-00	BRACKET PIPE 1	1	1	1	φ 25.4
4	627-15019-00	BRACKET PIPE 2	1	1	1	φ 25.4
5	531-60140-00	CAP FUEL TANK ASSY	1	1	1	
*7	627-10040-02	CASE CLUTCH ASSY	Includes items 67, 68			
8	531-85004-00	DRUM CLUTCH COMPL	1	1	1	
*10	627-20030-00	CLUTCH	1	1	1	
12	531-55032-00	COVER CYLINDER	1			EA
	531-55040-00	COVER CYLINDER		1	1	YB
13	531-75005-00	COVER PLUG	1			EA
	531-75007-00	COVER PLUG		1	1	BLACK
14	531-35018-00	COVER MUFFLER	1			
	531-35033-00	COVER MUFFLER		1	1	
*15	531-10070-00	CRANKCASE COMPL	Includes items 16,73			
16	531-15012-00	GASKET (crankcase)	1	1	1	
17	531-20070-01	CRANKSHAFT COMPL	1	1	1	
18	531-15002-01	CYLINDER	1	1	1	
20	521-65002-00	DAMPER	2	2	2	
21	531-55041-00	DAMPER	1	1	1	
22	531-65031-00	DAMPER	2	2	2	
23	627-15001-05	DAMPER PIPE 1	1	1	1	
24	627-15002-05	DAMPER PIPE 2	1	1	1	
25	531-70100-30	CAP PLUG	1	1	1	
26	531-70100-20	COIL	1	1	1	
27	531-70100-10	FLYWHEEL	1	1	1	
28	510-35028-00	GASKET AIR CLEANER	1	1	1	
29	531-15003-01	GASKET CYLINDER	1	1	1	
30	531-35023-00	GASKET INSULATOR	1	1	1	
31	531-35022-00	GASKET (muffler)	1	1	1	
32	531-35005-00	INSULATOR	1	1	1	
36	531-30090-01	MUFFLER EXHAUST	1	1	1	
37	531-25004-00	PISTON PIN	1	1	1	
38	531-25006-00	PISTON	1	1	1	
39	503-65002-00	PLATE	1	1	1	
40	503-65003-00	PLATE	1	1	1	
42	598-25002-00	PISTON RING	2	2	2	
*43	531-50060-00	STARTER REWIND	Includes items 44,49-51,53,54			
	531-50120-00	STARTER REWIND		1	1	
*44	524-50070-00	PULLEY STARTER	Includes items 46,48,52			
46	521-50030-40	E RING	1	1	1	
48	524-50070-10	RATCHET	1	1	1	
49	531-50070-10	REEL	1	1	1	

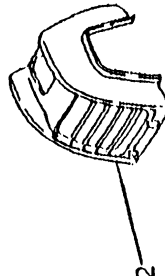
① EC031G*0296 (Stone)


② EC031G*0207 (Magic Screed)

③ EC031G*0206 (Lindley)

FIG.1 ENGINE-BODY







 EC031G*0207
 EC031G*0206

FIG.1 ENGINE·BODY

Ref. No.	Part Number	Parts Name	Q'ty			Remarks
			①	②	③	
50	531-50070-20	SET SCREW	1	1	1	
51	541-50030-20	SPIRAL SPRING	1	1	1	
52	524-50070-20	SPRING RETURN	1	1	1	
53	521-50021-10	STARTER KNOB	1	1	1	
54	523-50240-22	STARTER ROPE	1	1	1	
56	523-65039-00	FILTER	1	1	1	
57	531-65020-01	FUEL TANK	1	1	1	
59	627-25000-00	WASHER	2	2	2	
60	001-17052-00	BOLT ASSY	2	2	2	
61	001-66061-60	BOLT	1	1	1	
62	002-17050-00	NUT	2	2	2	
63	003-20060-00	SPRING WASHER	1	1	1	
64	011-90595-70	SOCKET HEAD BOLT	4	4	4	
65	003-15120-00	SNAPRING OUTER	1	1	1	
67	003-14320-00	SNAPRING INNER	1	1	1	
68	060-01299-50	BALL BEARING	1	1	1	
69	011-90596-30	SOCKET HEAD BOLT	2	2	2	
70	014-00599-20	SCREW	1			
71	011-90596-70	SOCKET HEAD BOLT	2	2	2	
72	011-90597-30	SOCKET HEAD BOLT	3	3	3	
73	014-00597-90	SCREW	5	5	5	
76	011-90599-50	SOCKET HEAD BOLT	6	6	6	
77	014-00594-80	SCREW	1	1	1	
79	020-00699-20	WASHER	1	1	1	
80	020-00899-11	WASHER	2	2	2	
81	032-30399-90	WOODRUFF KEY	1	1	1	
82	056-50899-80	CLIP	2	2	2	
83	061-00899-90	NEEDLE ROLLER BEARING	1	1	1	
84	065-01498-10	PLUG SPARK	1	1	1	BM7A
85	065-40099-31	SPRING PLUG CAP	1	1	1	
89	085-11799-71	TUBE	1	1	1	
90	011-90599-00	SOCKET HEAD BOLT	1	1	1	
92	531-95007-01	LABEL (engine)	1	1	1	
94	056-10599-90	HOSE CLAMP	1	1	1	
95	625-50210-02	STRAP UNIT	1	1	1	

- ① EC031G*0296 (Stone)
- ② EC031G*0207 (Magic Screed)
- ③ EC031G*0206 (Lindley)

FIG.2 CARBURETOR and CLEANER AIR

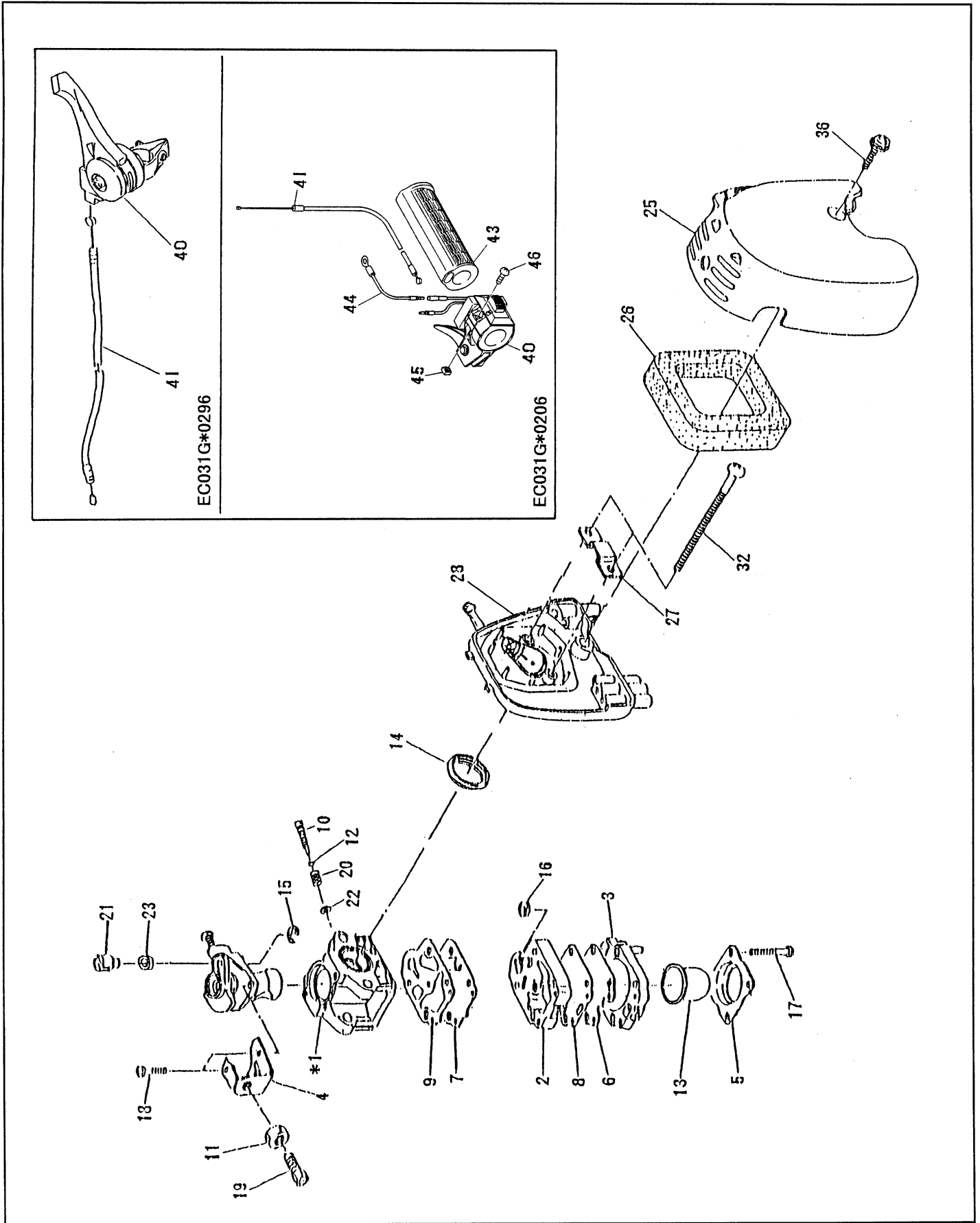


FIG.2 CARBURETOR and CLEANER AIR

Ref. No.	Part Number	Parts Name	Q'ty			Remarks
			①	②	③	
*1	531-60160-02	CARBURETOR Includes items 2-23	1	1	1	
2	523-60461-30	BODY ASSY PUMP	1	1	1	
3	523-60460-60	BODY ASSY AIR PURGE	1	1	1	
4	523-60520-20	BRACKET CABLE	1	1	1	
5	523-60460-50	COVER PRIMER PUMP	1	1	1	
6	531-60052-50	DIAPHRAGM ASSY METERING	1	1	1	
7	524-60010-40	DIAPHRAGM PUMP	1	1	1	
8	523-60460-40	GASKET METERING DIAPHRAGM	1	1	1	
9	524-60010-30	GASKET PUMP	1	1	1	
10	521-60060-30	NEEDLE HIGH SPEED	1	1	1	
11	531-60054-50	NUT CABLE ADJUST	1	1	1	
12	521-60060-50	O RING	1	1	1	
13	524-60011-50	PUMP PRIMER	1	1	1	
14	523-60180-20	RING PACKING	1	1	1	
15	531-60051-20	RING SPRING RETAINING	1	1	1	
16	501-60040-10	SCREEN INLET	1	1	1	
17	523-60460-10	SCREW	4	4	4	
18	524-60012-40	SCREW	2	2	2	
19	531-60200-20	SCREW CABLE ADJUST	1	1	1	
20	580-60801-10	SPRING NEEDLE	1	1	1	
21	523-60180-40	SWIVEL	1	1	1	
22	521-60060-40	WASHER	1	1	1	
23	523-60520-30	WASHER	1	1	1	
25	531-35020-01	CASE AIR CLEANER	1			
	531-35032-00	CASE AIR CLEANER		1	1	
26	523-35047-00	ELEMENT AIR CLEANER	1	1	1	
27	501-35024-00	PLATE AIR CLEANER	1	1	1	
28	531-30150-00	PLATE CLEANER ASSY	1	1	1	
32	014-00597-30	SCREW	2	2	2	
36	014-00594-80	SCREW	1	1	1	
40	063-10098-11	CONTROL LEVER	1			
	625-50180-00	CONTROL LEVER			1	
41	063-01099-40	CONTROL CABLE	1			
	621-55001-00	CONTROL CABLE			1	
43	621-45004-00	GRIP			1	
44	616-55002-01	WIRE			1	
45	541-50011-60	NUT			1	
46	014-00598-10	SCREW			1	

① EC031G*0296 (Stone)

② EC031G*0207 (Magic Screed)

③ EC031G*0206 (Lindley)

Robin America, Inc.

940 Lively Blvd. • Wood Dale, IL 60191 • Phone: 630-350-8200 • Fax: 630-350-8212
e-mail: sales@robinamerica.com • www.robinamerica.com

© Copyright 1999 Robin America, Inc.

PRINTED IN THE USA