

PARTS MANUAL

Model

R1300

Generator

PUB-GP1182
Rev. 7/98

GROUP INDEX

Group Name	Page
GENERATOR GROUP	4
COVER GROUP	6
CONTROL PANEL GROUP	8
FUEL TANK GROUP	10
CRANKCASE GROUP	12
CRANKSHAFT and PISTON GROUP	14
INTAKE and EXHAUST GROUP	16
GOVERNOR, OPERATION GROUP	18
COOLING and STARTING GROUP	20
FUEL and LUBRICANT GROUP	22
ELECTRIC DEVICE GROUP	24

Robin America, Inc.

940 Lively Blvd. • Wood Dale, IL 60191 • Phone: 630-350-8200 • Fax: 630-350-8212
e-mail: sales@robinamerica.com • www.robinamerica.com

© Copyright 1998 Robin America, Inc.

FIG. 1 GENERATOR

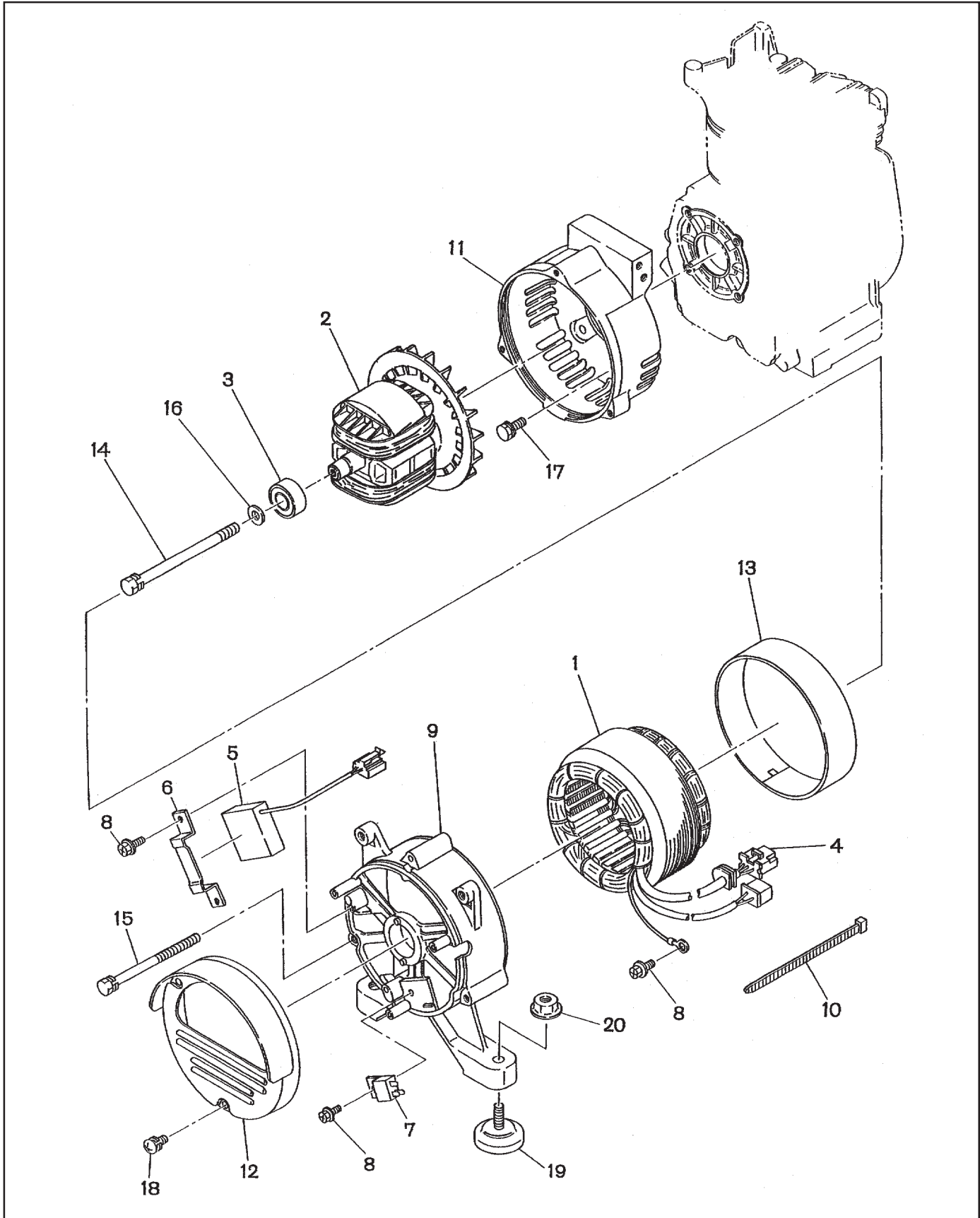


FIG. 2 COVER

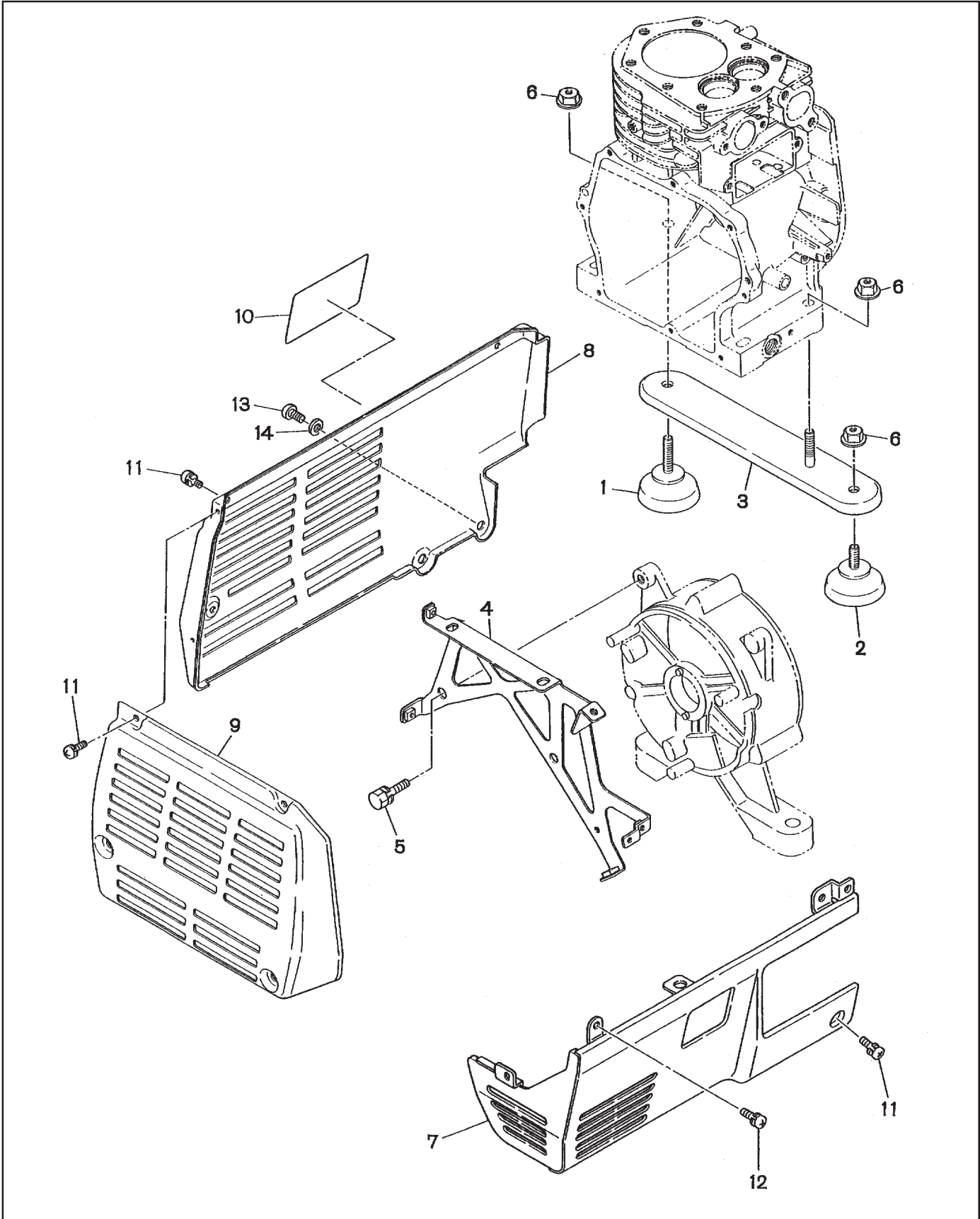


FIG. 2 COVER

REF	PART NUMBER	DESCRIPTION	QTY	REMARKS
1	350-30103-01	MOUNT, compl.	1	
2	350-30104-01	MOUNT, compl.	1	
3	350-30701-21	MOUNT BRACKET, compl.	1	
4	350-35101-11	BRACKET, cover., compl.	1	
5	001-13082-00	BOLT and WASHER ASS'Y	2	
6	002-38080-00	FLANGE NUT	3	
7	350-50301-01	FRONT COVER, compl	1	
8	350-50701-01	REAR COVER, compl.	1	
9	350-51701-01	SIDE COVER	1	
10	350-94307-03	LABEL, spec For 60Hz-120V	1	
11	013-10500-20	SCREW and WASHER ASS'Y	8	
12	004-34051-00	SCREW and WASHER ASS'Y	2	
13	004-31081-00	SCREW, pan head	2	
14	003-11080-00	WASHER	2	

FIG. 3 CONTROL PANEL

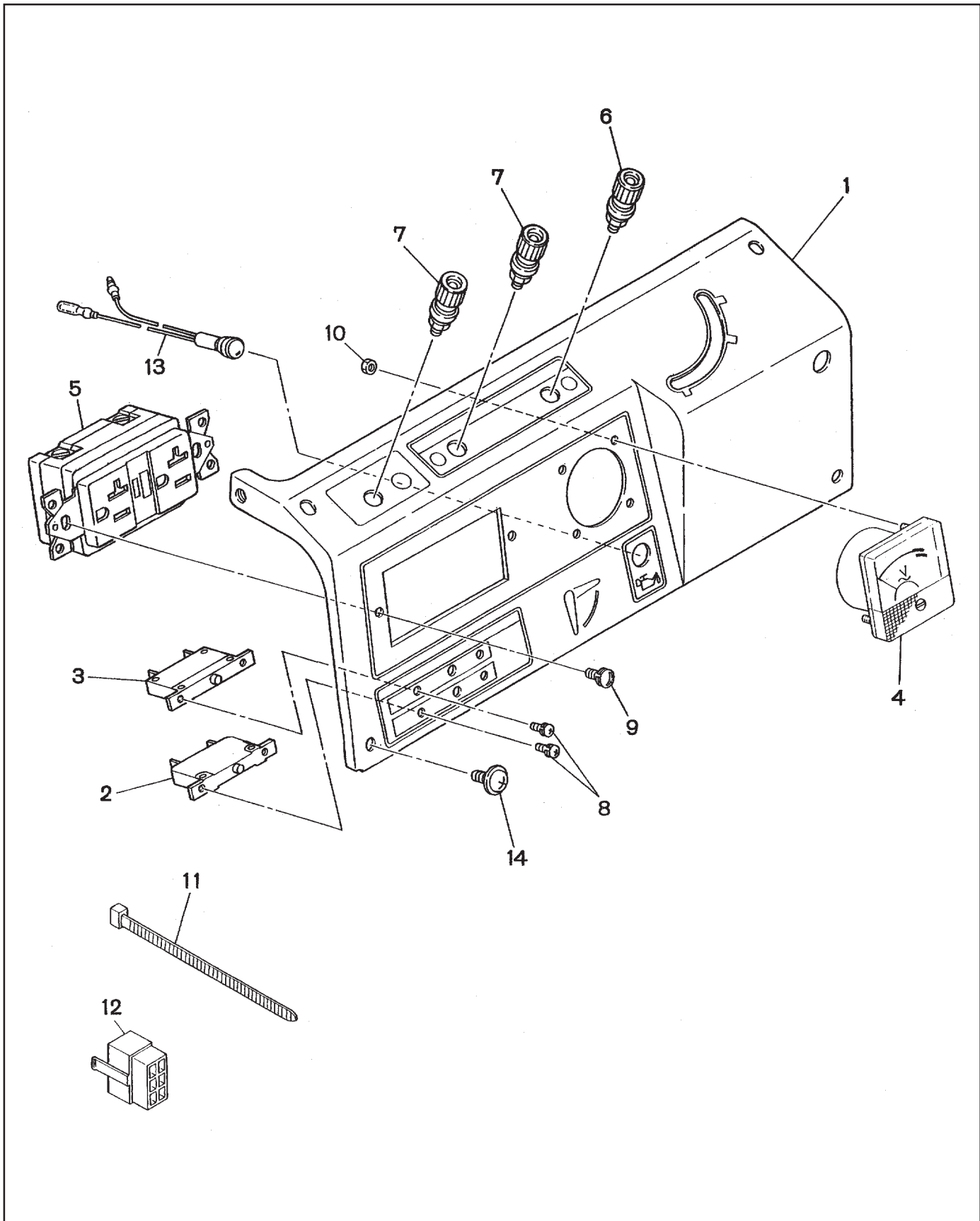


FIG. 3 CONTROL PANEL

REF	PART NUMBER	DESCRIPTION	QTY	REMARKS
1	350-44111-01	CONTROL PANEL, compl.	1	
2	352-45620-08	CIRCUIT BREAKER (10A) For DC	1	
3	351-45624-08	CIRCUIT BREAKER (8A)	1	
4	391-47802-01	AC VOLTMETER, compl. 100V CLASS	1	
5	388-85003-01	AC RECEPTACLE (125V-20A)	1	
6	363-45701-08	TERMINAL BOLT (Color : RED)	1	
7	363-45700-08	TERMINAL BOLT (Color : BLACK)	2	
8	004-35030-60	SCREW and WASHER ASS'Y	4	
9	004-35041-00	SCREW and WASHER ASS'Y	2	
10	002-17030-00	NUT	2	
11	056-30000-20	WIRE BAND	3	
12	353-54300-08	CONNECTOR (6P)	1	
13	227-77002-00	LED LAMP ASS'Y	1	
14	013-10500-20	SCREW and WASHER ASS'Y	4	

FIG. 4 FUEL TANK

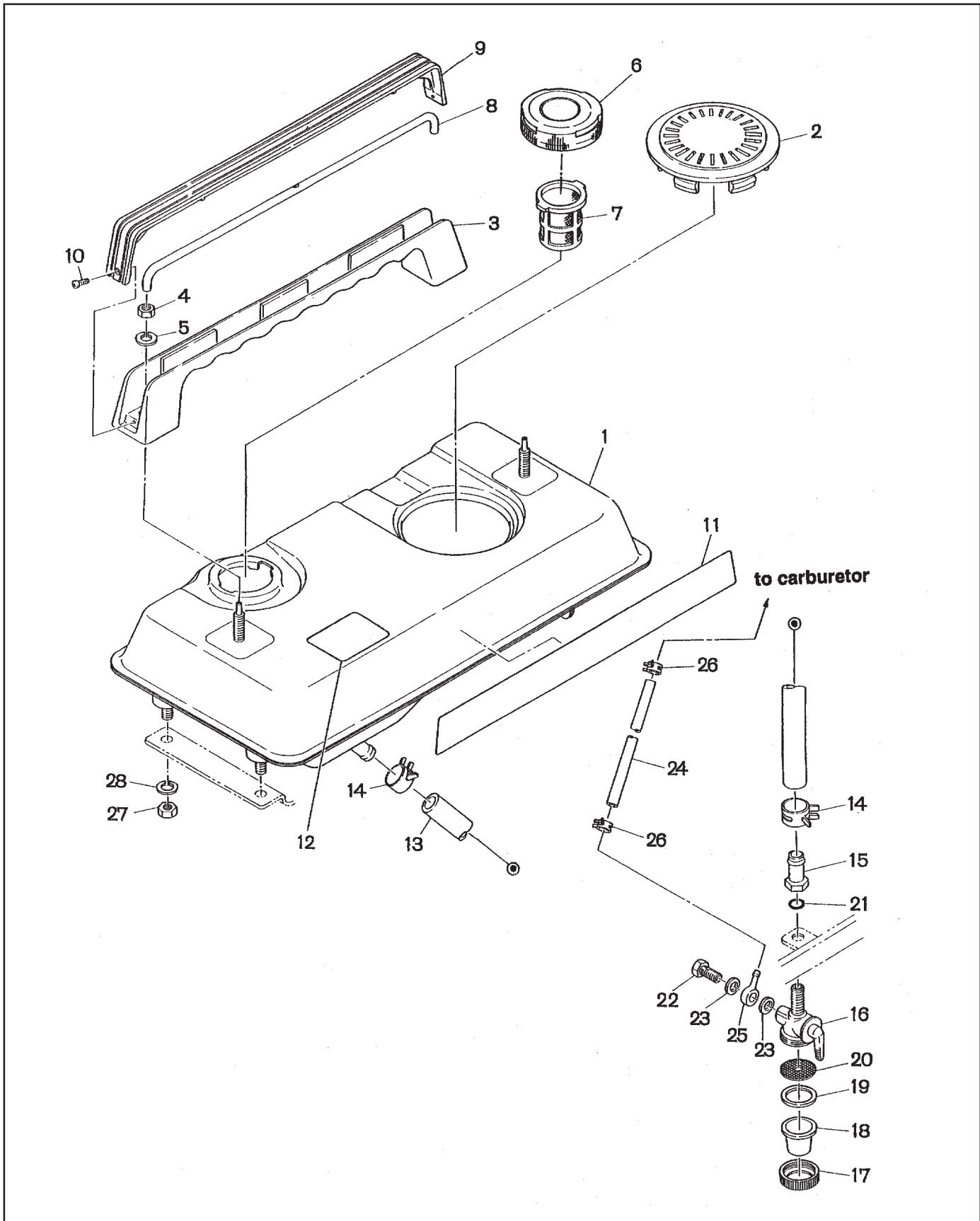


FIG. 4 FUEL TANK

REF	PART NUMBER	DESCRIPTION	QTY	REMARKS
1	350-60103-81	FUEL TANK, compl.	1	
2	227-66001-03	PLUG COVER	1	
3	350-65201-01	HANDLE	1	
4	002-18080-00	NUT	2	
5	003-20080-00	SPRING WASHER	2	
6	043-04300-41	FUEL TANK CAP, compl.	1	
7	064-13600-20	FUEL FILTER, compl.	1	
8	350-65501-03	BREATHER PIPE (F5xF8x360mm)	1	
9	350-65401-13	HANDLE COVER	1	
10	004-31031-00	SCREW, pan head	2	
11	350-94102-03	LABEL, trade mark	1	
12	073-20026-31	LABEL (CAUTION)	1	
13	085-11100-00	RUBBER PIPE (F11.5xF17x135mm)	1	
14	056-11700-10	HOSE CLAMP	2	
15	053-30900-20	NUT, joint	1	
*16	064-20049-02	FUEL STRAINER ASS'Y	1	Includes items 17 thru 26
17	064-20024-10	LOCK NUT, cup	1	
18	064-20019-10	CUP	1	
19	064-20002-30	PACKING	1	
20	064-20002-20	FILTER	1	
21	064-20003-30	O RING	1	
22	064-20002-40	BANJO BOLT	1	
23	064-20002-50	FIBER PACKING	2	
24	085-10600-00	RUBBER PIPE (F6xF12x140mm)	1	
25	052-10700-42	BANJO	1	
26	056-11100-20	HOSE CLAMP	2	
27	002-18080-00	NUT	2	
28	003-20080-00	SPRING WASHER	2	

FIG. 5 CRANKCASE GROUP

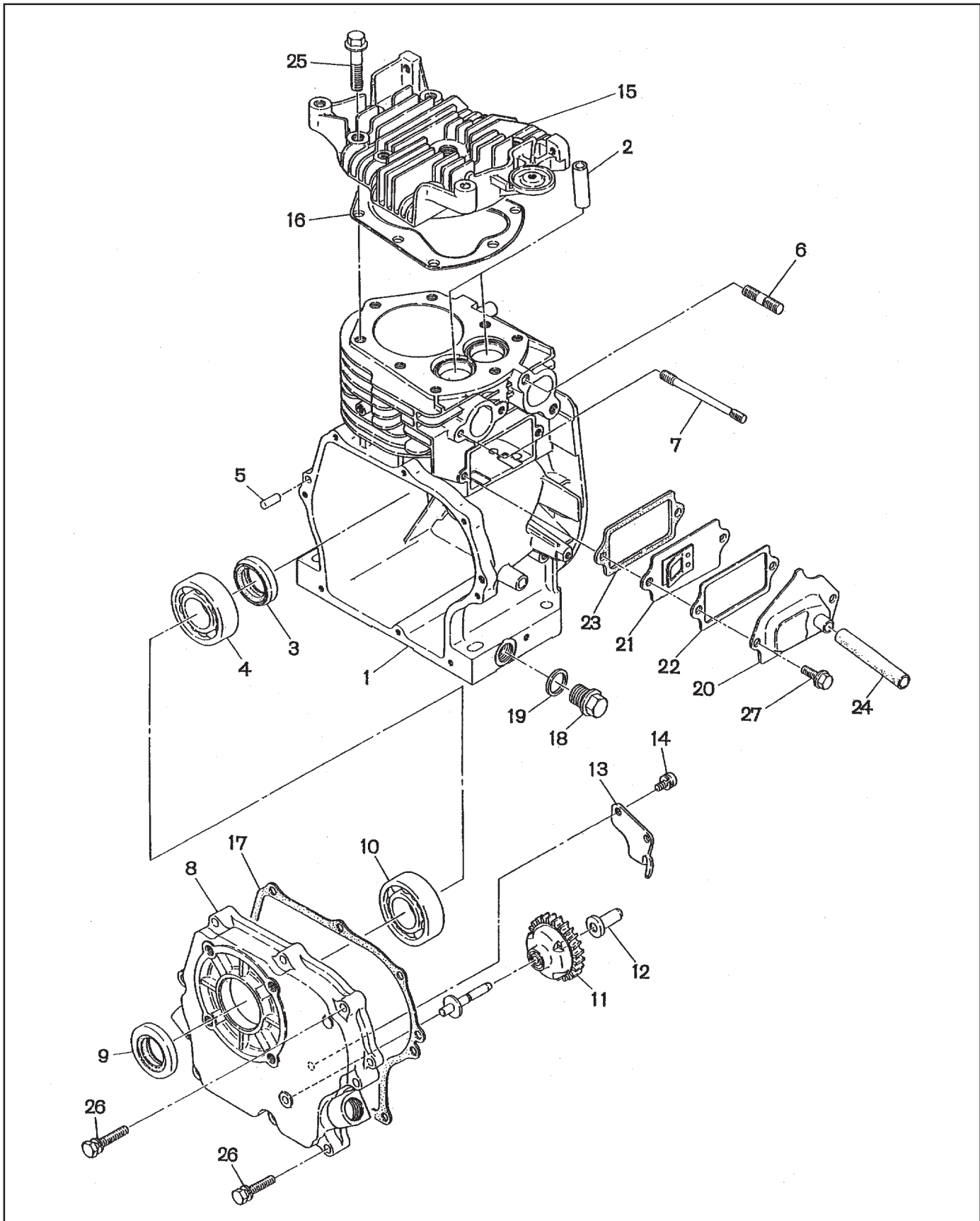


FIG. 5 CRANKCASE GROUP

REF	PART NUMBER	DESCRIPTION	QTY	REMARKS
*1	226-10101-21	CRANKCASE, compl.	1	Includes items 2 thru 7
2	227-14202-03	VALVE GUIDE (over size)	2	
3	044-02501-50	OIL SEAL (TB-F25xF38x7mm)	1	
4	060-02500-10	BALL BEARING (BB-6205C3)	1	
5	031-00600-20	DOWEL PIN	2	
6	010-50802-50	STUD, muffler	2	
7	010-50601-20	STUD, carburetor	2	
*8	227-11006-11	MAIN BEARING COVER, compl.	1	Includes items 9 and 10
9	044-02501-60	OIL SEAL (TB-F25xF41.24x7mm)	1	
10	060-02500-10	BALL BEARING (BB-6205C3)	1	
11	227-45003-01	GOVERNOR GEAR, compl.	1	
12	205-41901-03	GOVERNOR SLEEVE	1	
13	227-17501-03	OIL SHELTER, sensor	1	
14	004-35040-80	SCREW and WASHER ASS'Y	2	
15	226-13101-13	CYLINDER HEAD	1	
16	226-15001-11	GASKET, compl., head	1	
17	227-16001-03	GASKET, bearing cover	1	
18	040-11400-30	PLUG	2	
19	021-11400-20	GASKET	2	
20	227-14301-01	TAPPET COVER, compl.	1	
21	227-14401-01	BREATHER PLATE, compl.	1	
22	227-16006-03	GASKET, tappet cover	1	
23	227-16007-03	GASKET, breather plate	1	
24	085-10800-00	RUBBER PIPE (F8xF11x75mm)	1	
25	011-00800-10	FLANGE BOLT	8	
26	013-00600-40	BOLT and WASHER ASS'Y	8	
27	011-00600-20	FLANGE BOLT	2	
*	226-99001-07	GASKET SET	1	Includes items 16, 17, 22, 23 and Fig. 7-9, 17 and 18, Fig. 10-35

FIG. 6 CRANKSHAFT and PISTON GROUP

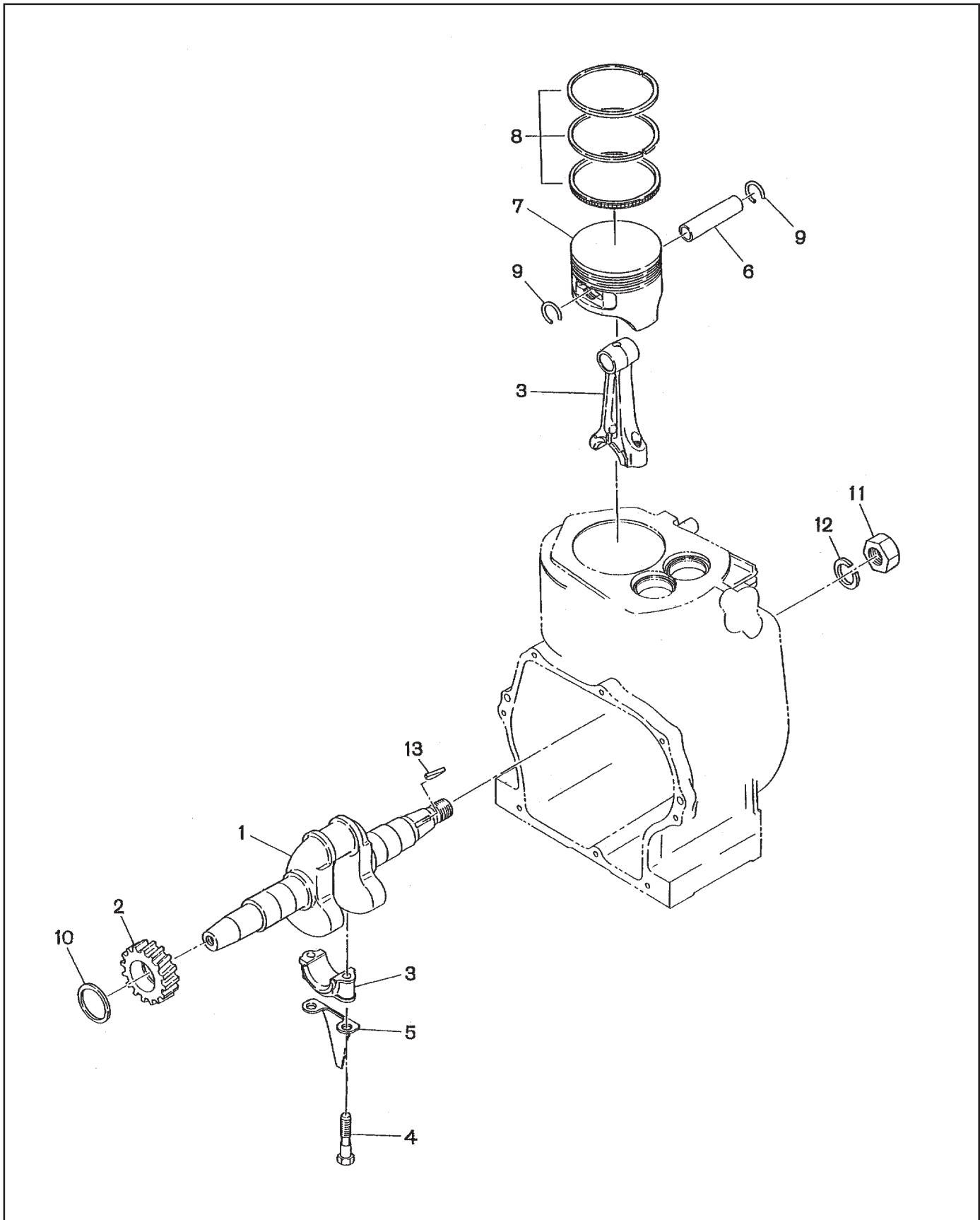


FIG. 7 INTAKE and EXHAUST GROUP

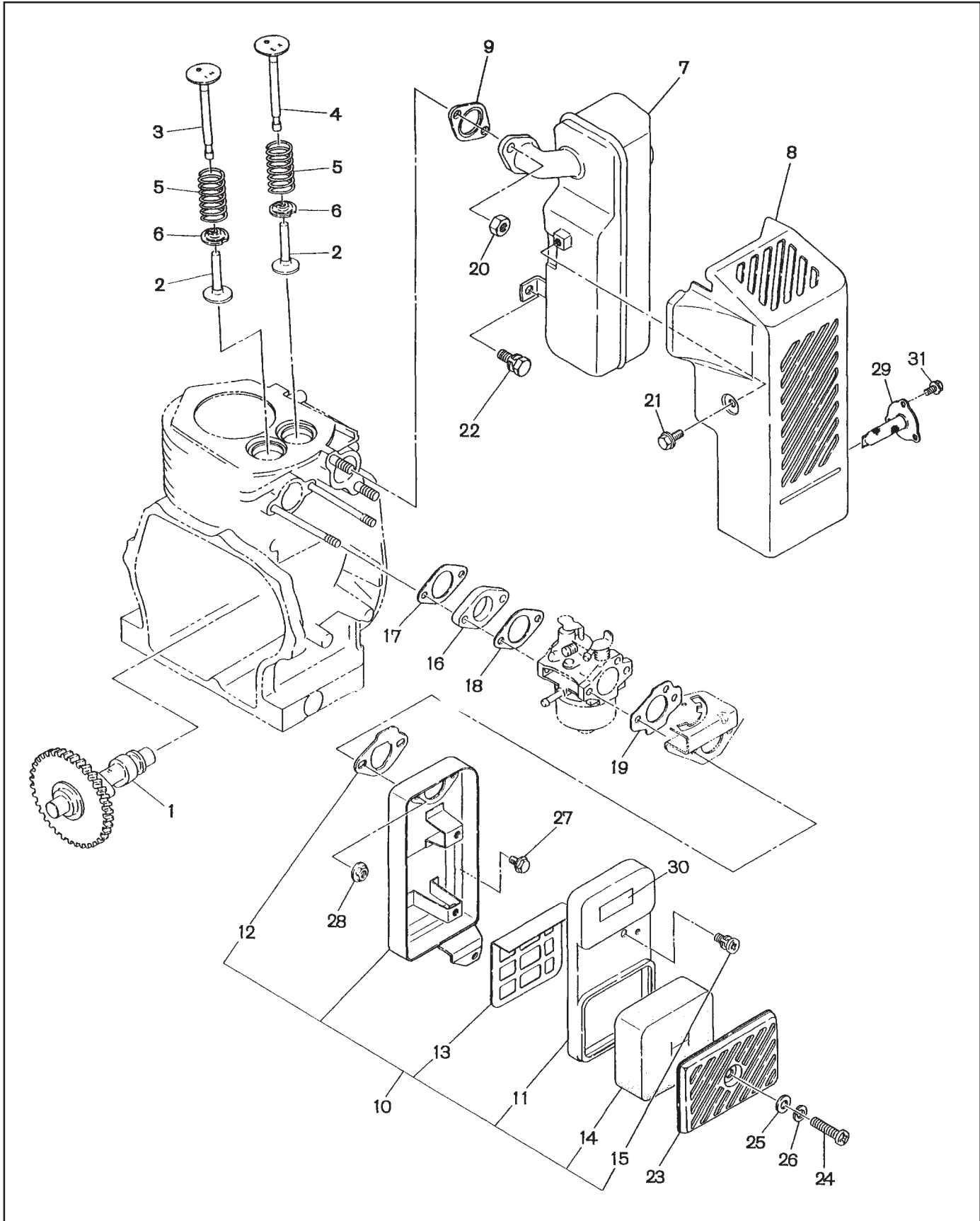


FIG. 7 INTAKE and EXHAUST GROUP

REF	PART NUMBER	DESCRIPTION	QTY	REMARKS
1	226-31710-03	CAMSHAFT	1	
2	226-33301-03	TAPPET	2	
3	226-33401-03	INTAKE VALVE	1	
4	226-33501-13	EXHAUST VALVE	1	
5	227-33601-03	VALVE SPRING	2	
6	227-33701-03	SPRING RETAINER	2	
7	226-30302-11	MUFFLER, compl.	1	
8	226-34206-11	MUFFLER COVER, compl.	1	
9	226-35201-01	GASKET compl., exhaust	1	
*10	226-32639-00	AIR CLEANER ASS'Y	1	Includes items 11 thru 15
11	226-35010-11	CLEANER CASE, compl.	1	
12	227-36004-13	GASKET, air cleaner	1	
13	226-36003-03	ELEMENT RETAINER	1	
14	226-36004-03	ELEMENT	1	
15	004-35061-00	SCREW and WASHER ASS'Y	1	
16	227-32901-13	INSULATOR	1	
17	227-35901-03	GASKET, insulator	1	
18	227-35904-03	GASKET 2, insulator	1	
19	227-36003-13	GASKET, air cleaner	1	
20	002-19080-00	NUT	2	
21	011-00600-10	FLANGE BOLT	4	
22	013-50600-10	BOLT and WASHER ASS'Y	1	
23	226-35402-01	ELEMENT COVER	1	
24	014-10600-30	SCREW	1	
25	003-10060-00	WASHER	1	
26	003-20060-00	SPRING WASHER	1	
27	011-00600-30	FLANGE BOLT	1	
28	002-38060-00	FLANGE NUT	2	
29	226-36502-01	SPARK ARRESTER, compl.	1	
30	226-95603-03	LABEL (CLEANER ID)	1	
31	015-20500-20	TAPING SCREW	3	

FIG. 8 GOVERNOR, OPERATION GROUP

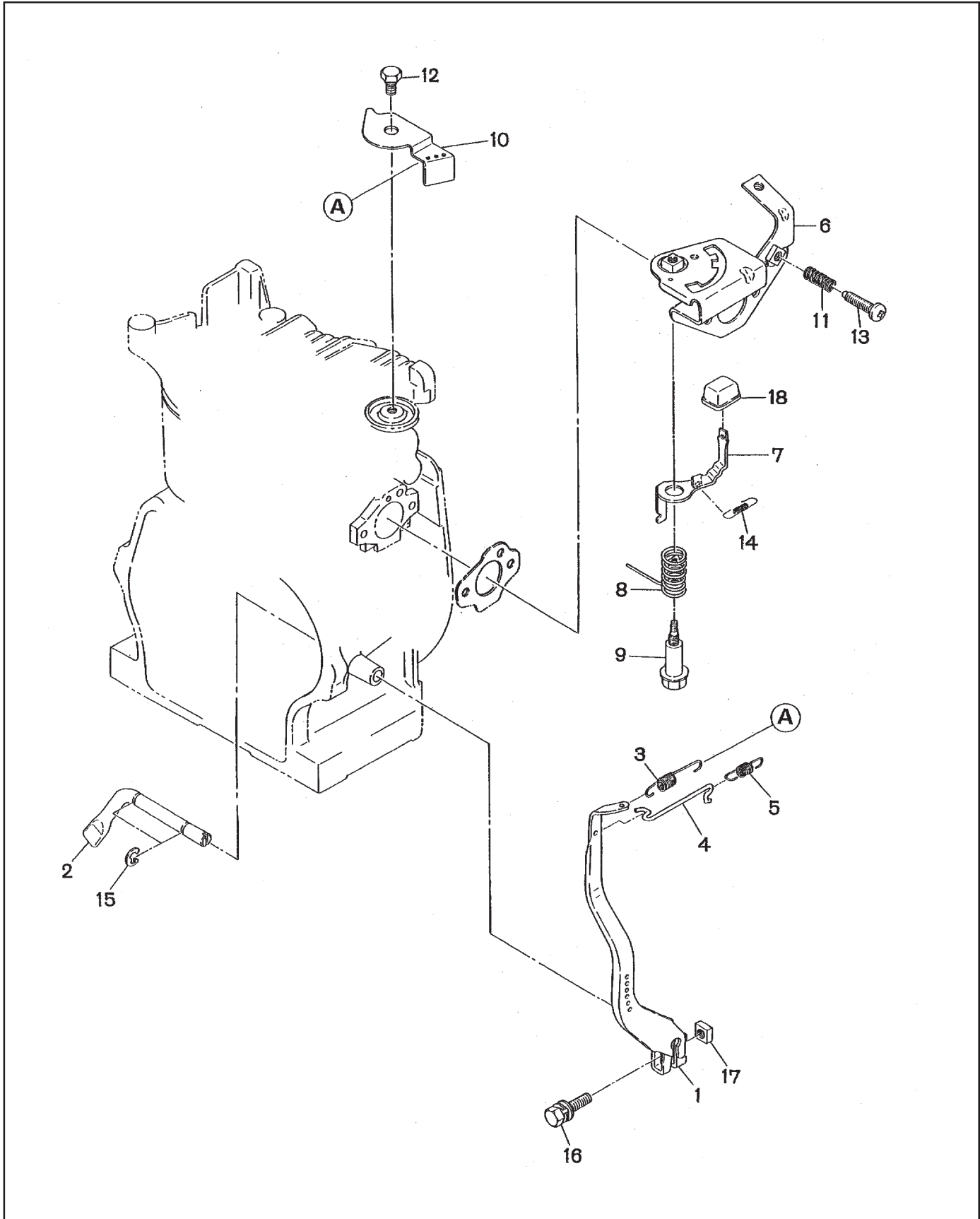


FIG. 8 GOVERNOR, OPERATION GROUP

REF	PART NUMBER	DESCRIPTION	QTY	REMARKS
1	226-42301-11	GGOVERNOR LEVER, compl.	1	
2	227-42201-03	GOVERNOR SHAFT	1	
3	226-42501-13	GOVERNOR SPRING	1	
4	227-42701-01	GOVERNOR ROD	1	
5	227-42801-01	ROD SPRING	1	
6	226-47101-11	CONTROL BRACKET, compl.	1	
7	226-45301-11	CONTROL LEVER	1	
8	226-45004-13	SPRING, control	1	
9	226-48001-01	BOLT, control	1	
10	226-43304-01	SPEED CONTROL	1	
11	226-48006-03	SPRING, adjust	1	
12	226-48003-01	BOLT	1	
13	226-48004-01	SCREW, adjust	1	
14	226-48005-13	SPRING, choke	1	
15	003-13060-00	CLIP	2	
16	001-14062-50	BOLT and WASHER AS'Y	1	
17	018-60600-20	NUT	1	
18	226-43901-13	KNOB	1	

FIG. 9 COOLING and STARTING GROUP

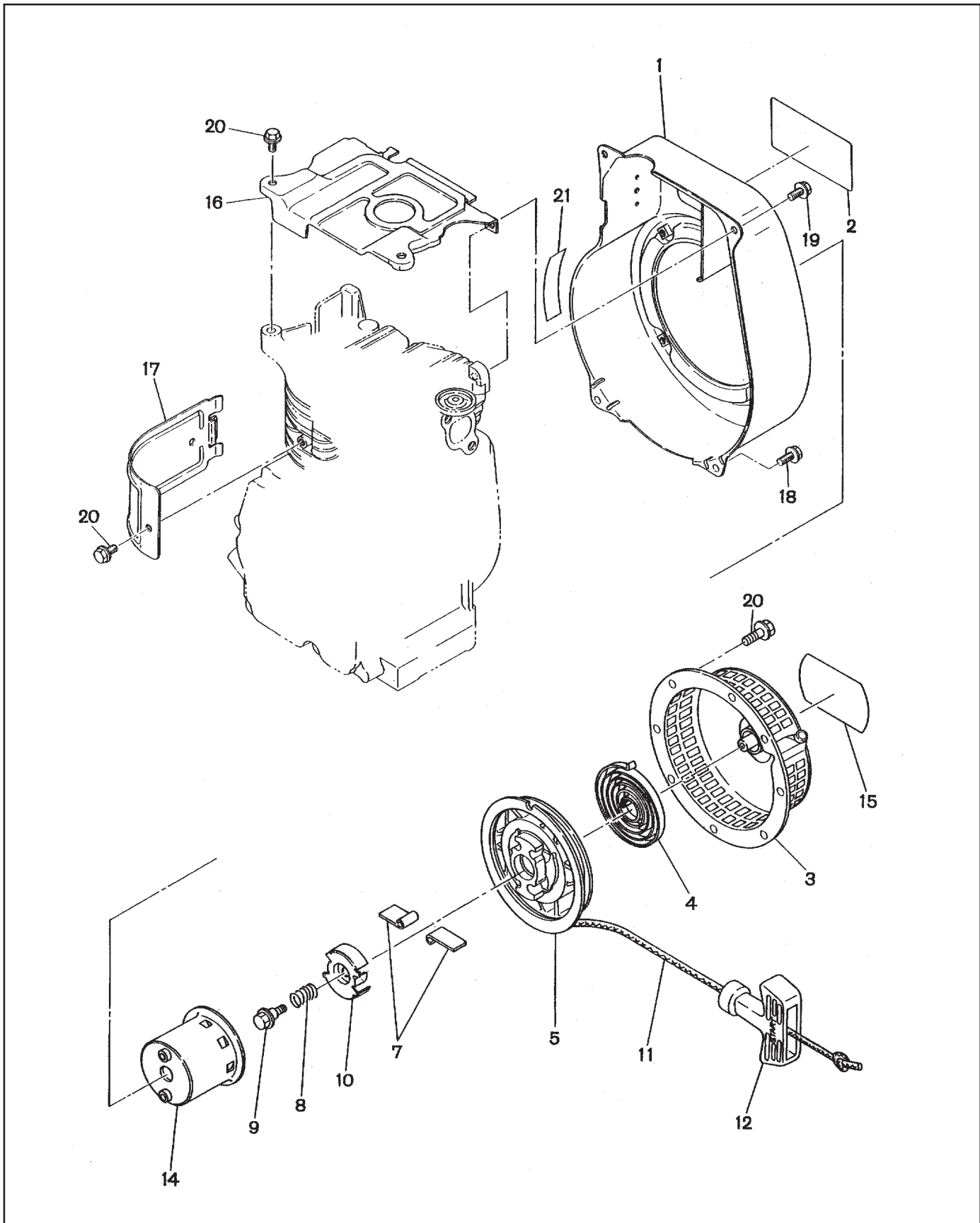


FIG. 9 COOLING and STARTING GROUP

REF	PART NUMBER	DESCRIPTION	QTY	REMARKS
1	226-51490-06	BLOWER HOUSING, compl.	1	
2	226-91682-03	LABEL, trade mark	1	
*3	226-50711-20	RECOIL STARTER ASS'Y	1	Includes items 4,5,7 thru 12 and 14
4	226-50716-08	SPIRAL SPRING	1	
5	226-50721-08	REEL	1	
7	226-50726-08	RATCHET	2	
8	226-50731-08	FRICTION SPRING	1	
9	226-50753-18	CENTER SCREW	1	
10	226-50741-08	FRICTION PLATE	1	
11	226-50710-18	STARTER ROPE	1	
12	226-50701-08	STARTER KNOB	1	
14	226-50745-08	STARTER PULLEY	1	
15	073-20046-10	LABEL (SSVR)	1	
16	226-52803-03	HEAD COVER	1	
17	226-52602-03	CYLINDER BAFFLE	1	
18	011-00600-20	FLANGE BOLT	2	
19	011-00600-30	FLANGE BOLT	1	
20	011-00600-10	FLANGE BOLT	7	
21	226-95501-03	LABEL (EMISSION CONTROL)	1	

FIG. 10 FUEL and LUBRICANT GROUP

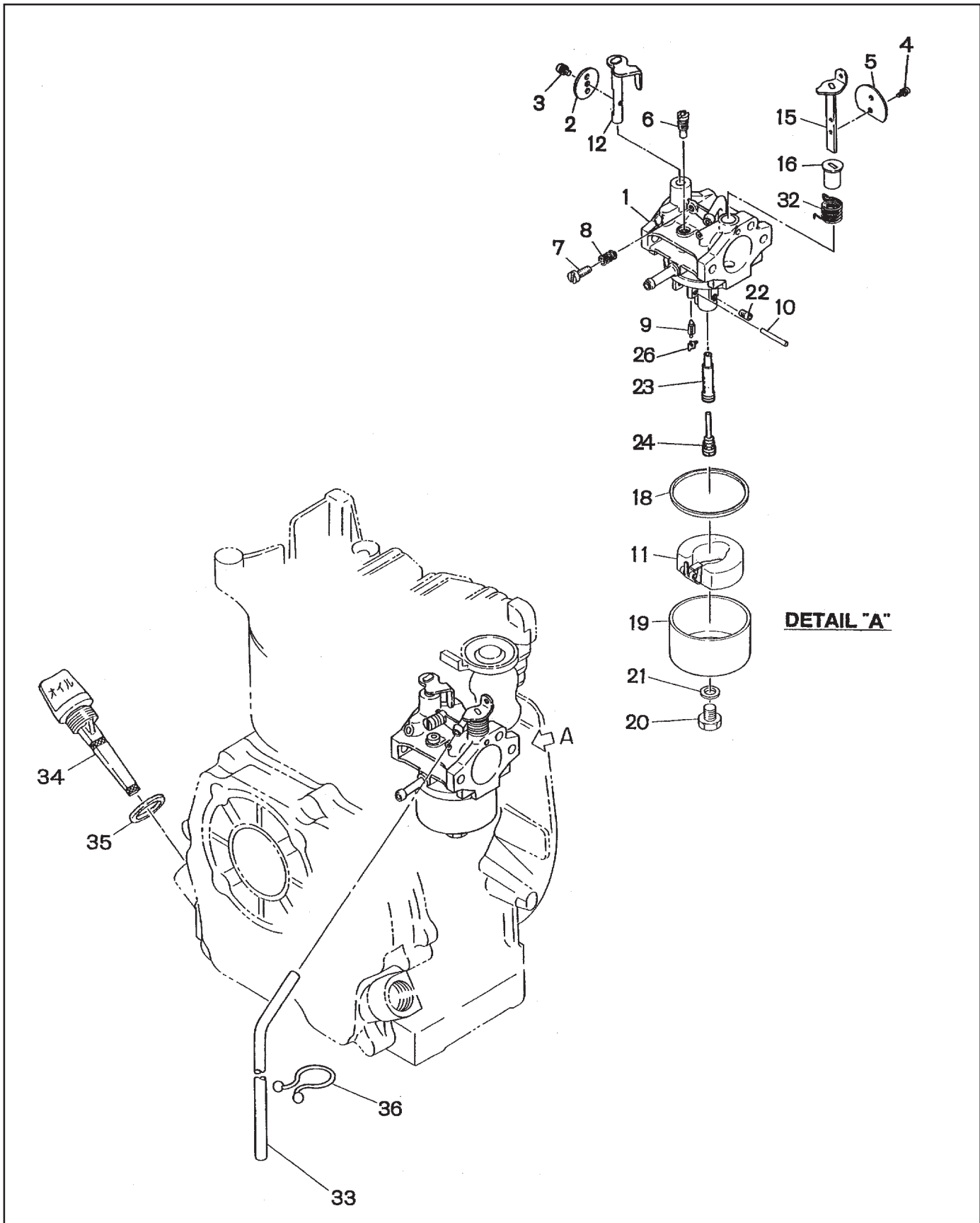
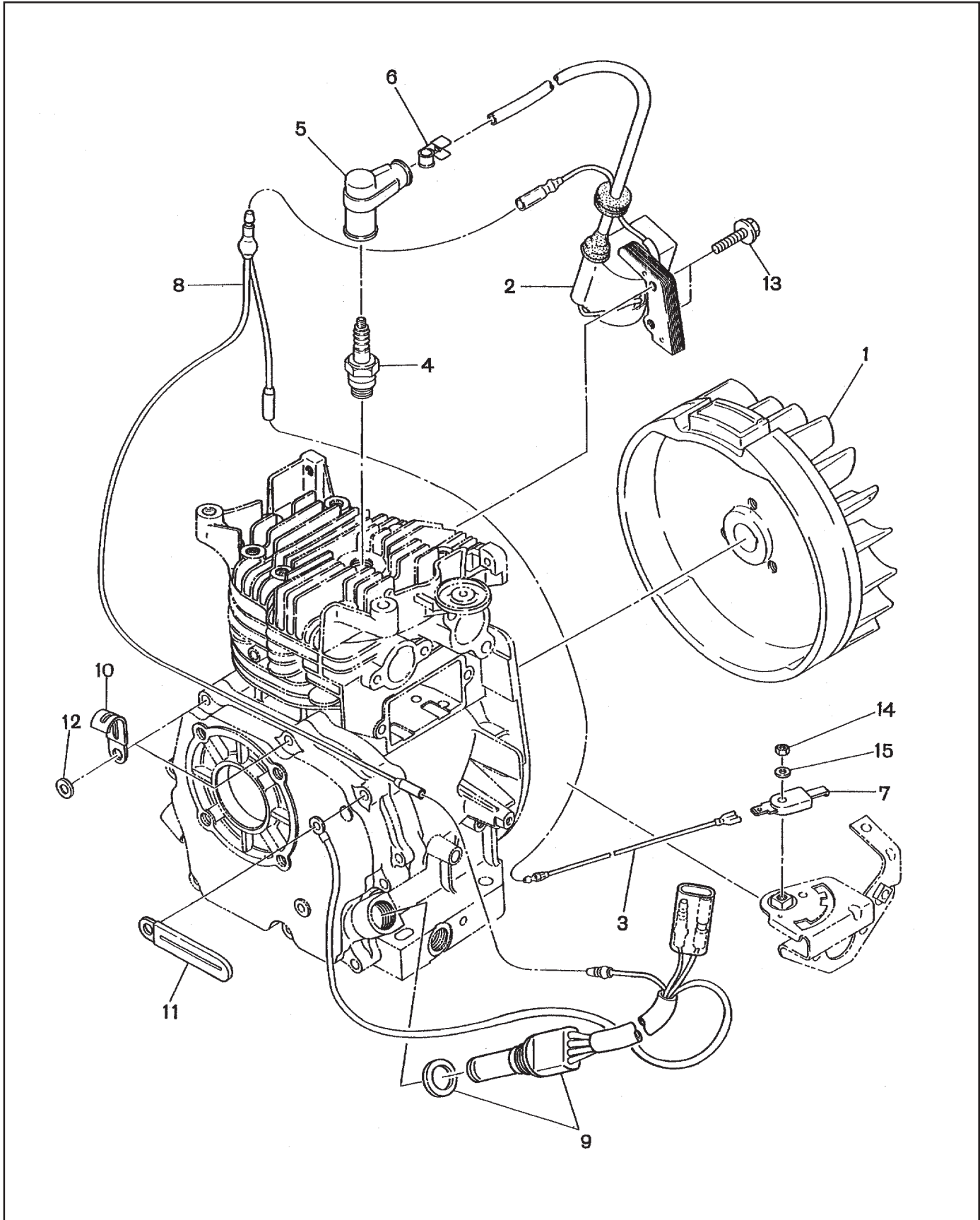


FIG. 10 FUEL and LUBRICANT GROUP

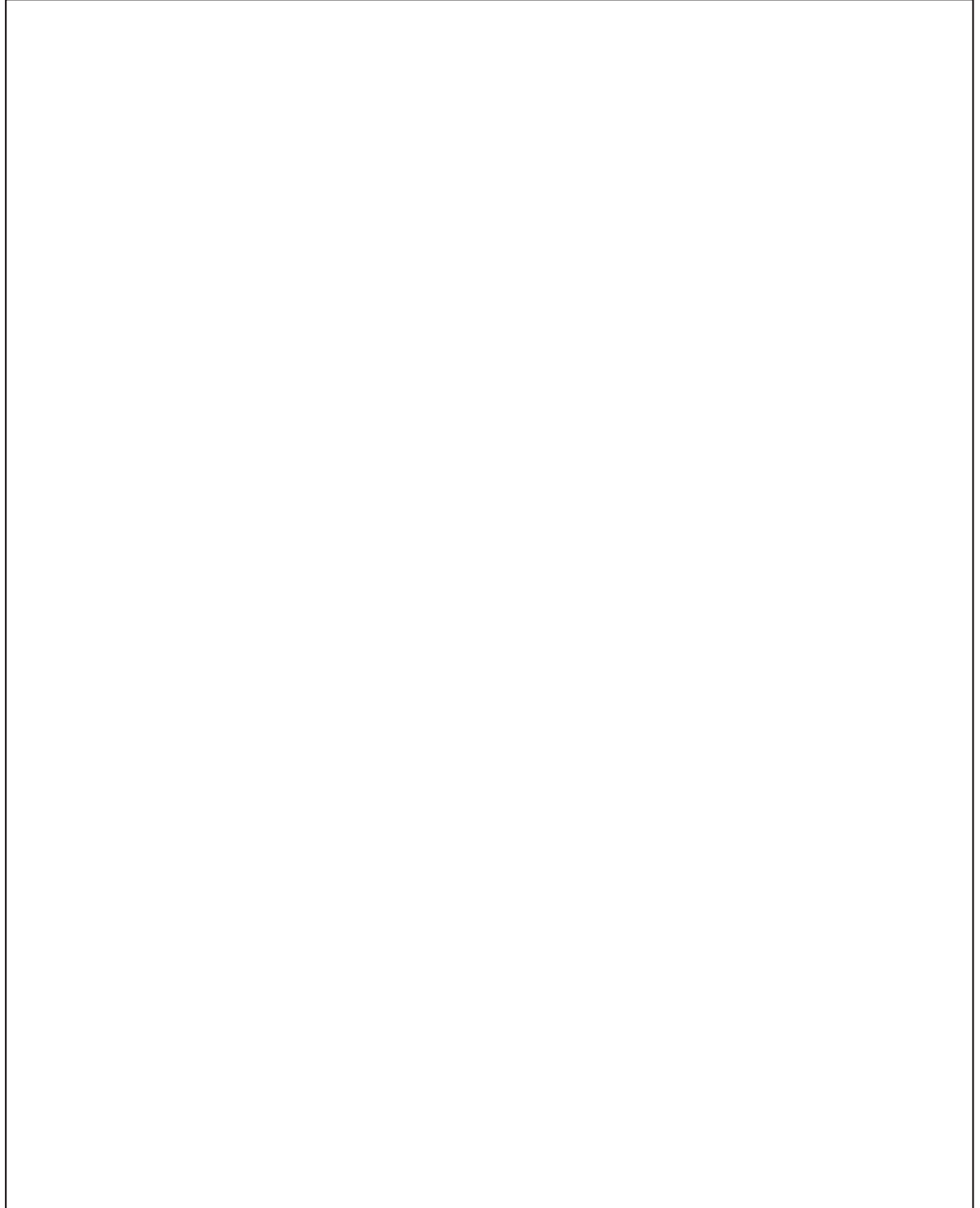
REF	PART NUMBER	DESCRIPTION	QTY	REMARKS
*1	226-62480-00	CARBURETOR ASS'Y	1	Includes items 2 thru 12, 15,16,18 thru 24,26 and 32
2	214-62535-08	THROTTLE VALVE (#165)	1	
3	209-62351-08	SCREW	1	
4	237-62451-08	SCREW	2	
5	227-62527-08	CHOKE VALVE	1	
6	246-62420-08	PILOT JET (#40)	1	
7	209-62352-08	SCREW	1	
8	209-62445-08	SPRING	1	
9	226-62502-08	NEEDLE VALVE ASS'Y	1	
10	214-62515-08	FLOAT PIN	1	
11	226-62506-08	FLOAT ASS'Y	1	
12	226-62530-08	SHAFT ASS'Y, throttle	1	
15	226-62522-08	CHOKE LEVER	1	
16	226-62553-08	RING	1	
18	214-62540-08	FLOAT CHAMBER PACKING	1	
19	227-62558-08	FLOAT CHAMBER BODY	1	
20	227-62451-08	BOLT	1	
21	214-62450-08	PACKING	1	
22	253-62401-08	MAIN JET (#73.8)	1	
23	226-62456-08	MAIN NOZZLE	1	
24	227-62441-08	NOZZLE	1	
26	226-62701-08	CLIP	1	
32	226-62540-08	SPRING	1	
33	085-10400-00	RUBBER PIPE (F4xF7x230mm)	1	
34	269-63601-03	OIL GAUGE	1	
35	021-31600-20	GASKET	1	
36	217-75002-03	PURSE LOCK B	1	

FIG. 11 ELECTRIC DEVICE GROUP



- NOTES -

- NOTES -



PRINTED IN THE USA