

# **PARTS MANUAL**

**Model**

**SGX3500  
GENERATORS**

PUB-EP  
Rev. 03/11



**Industrial Power Products**

Robin America, Inc.

905 Telsler Road • Lake Zurich, IL 60047 • Phone: 847-540-7300 • Fax: 847-438-5012  
e-mail: [sales@robinamerica.com](mailto:sales@robinamerica.com) • [www.subarupower.com](http://www.subarupower.com)

© Copyright 2011 Robin America, Inc.

# GROUP INDEX

<b>Group Name</b>	<b>Page</b>
CRANKCASE GROUP .....	4
CRANKSHAFT GROUP .....	8
INTAKE and EXHAUST GROUP .....	10
GOVERNOR GROUP .....	14
COOLING and STARTING GROUP .....	16
FUEL, LUBRICATION GROUP .....	18
ELECTRIC.....	22

FIG. 1 CRANKCASE GROUP

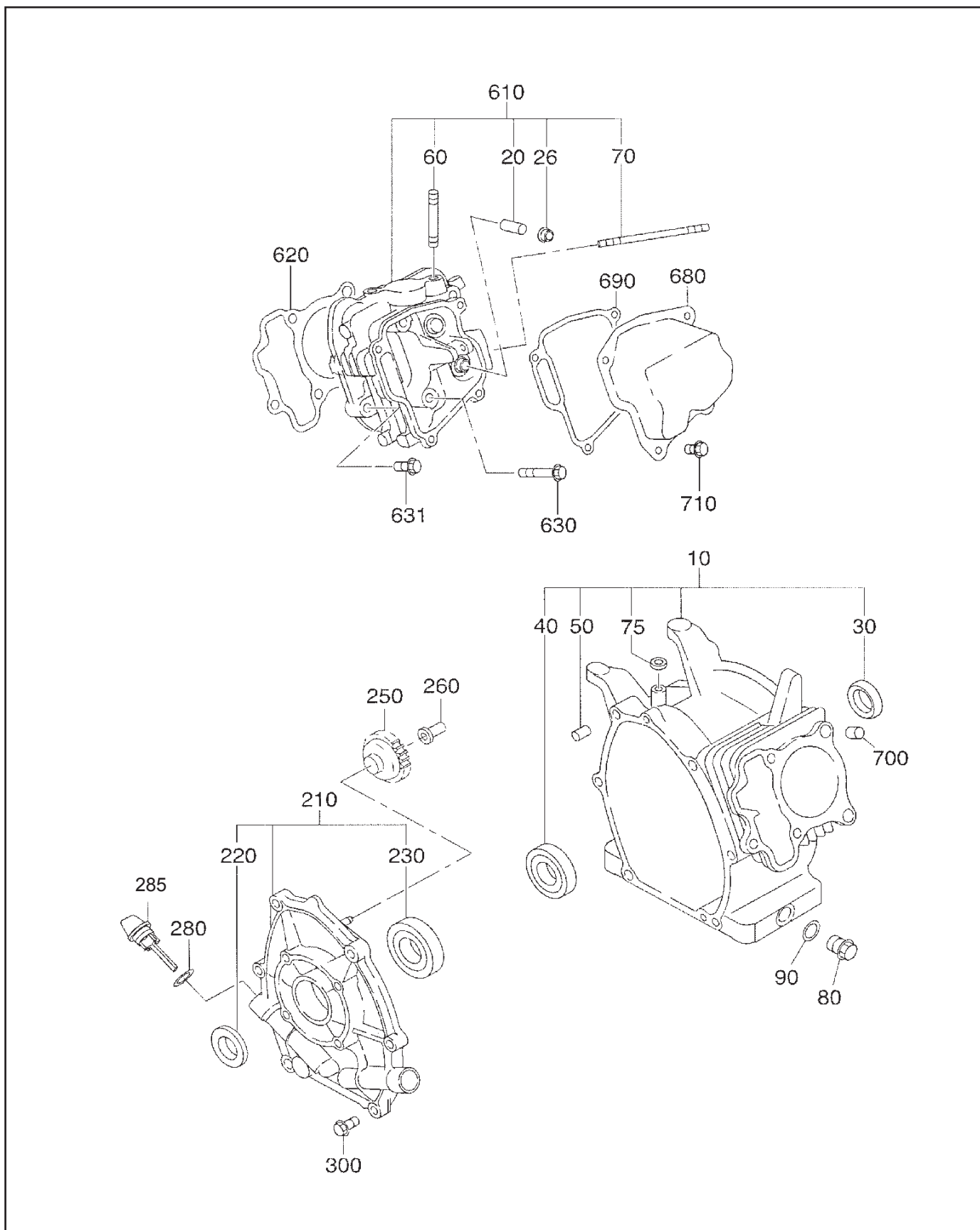




FIG. 2 CRANKSHAFT GROUP

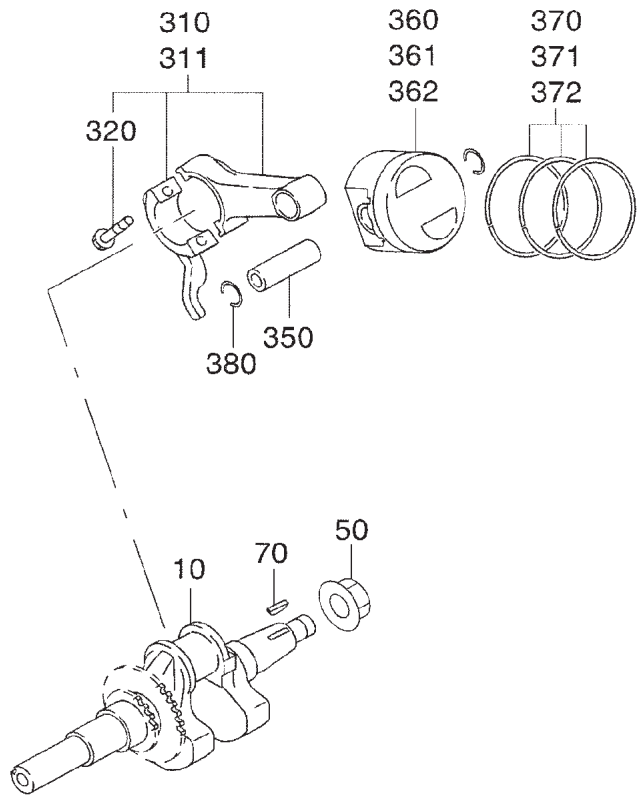
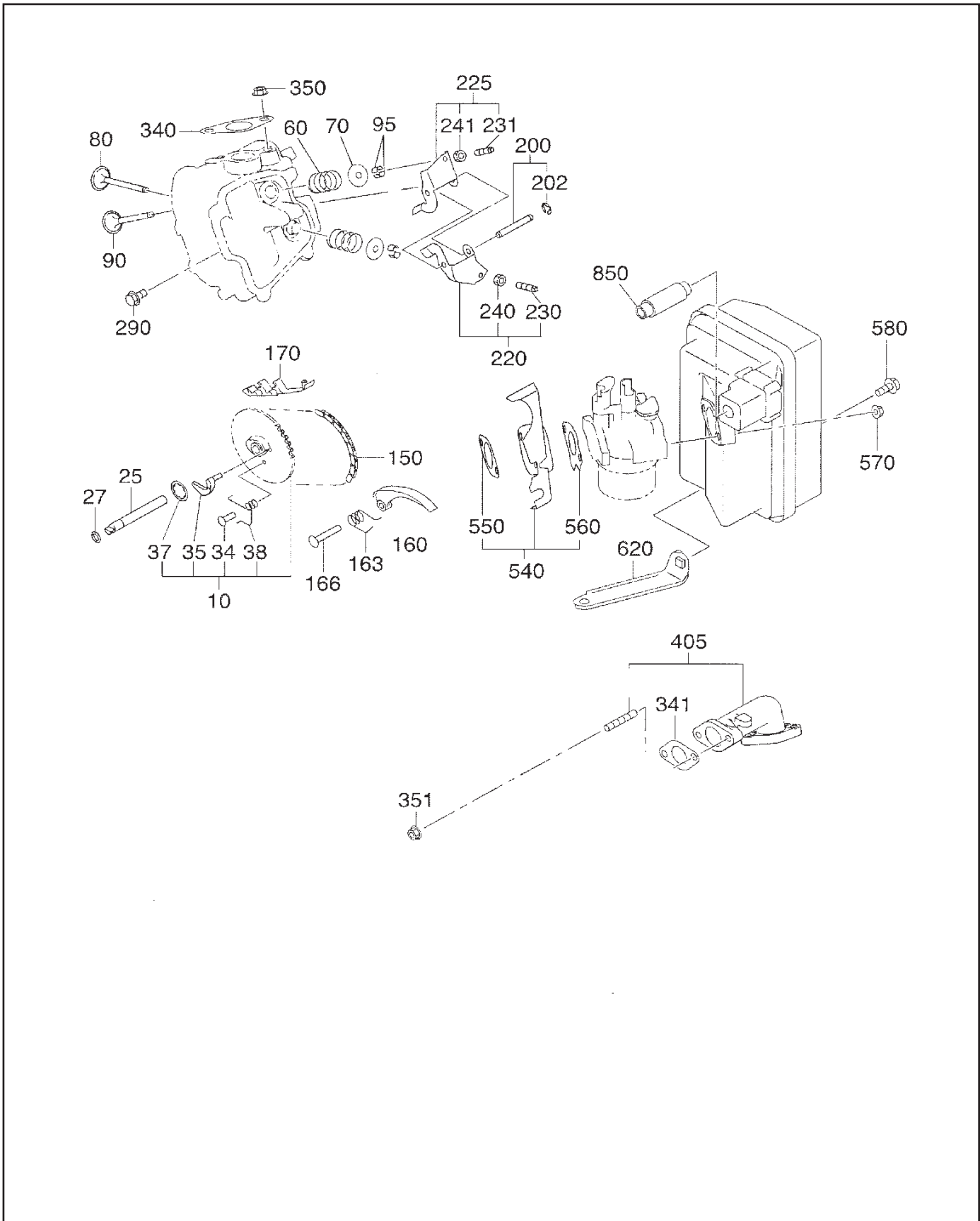




FIG. 3 INTAKE and EXHAUST GROUP

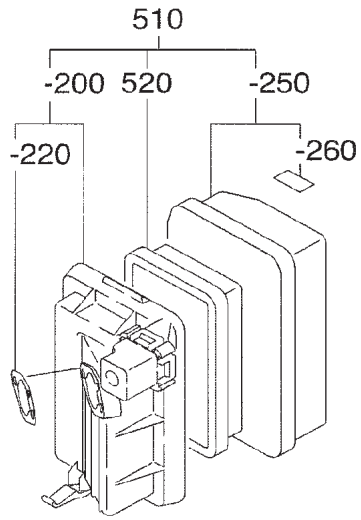




**FIG. 3 INTAKE and EXHAUST GROUP**

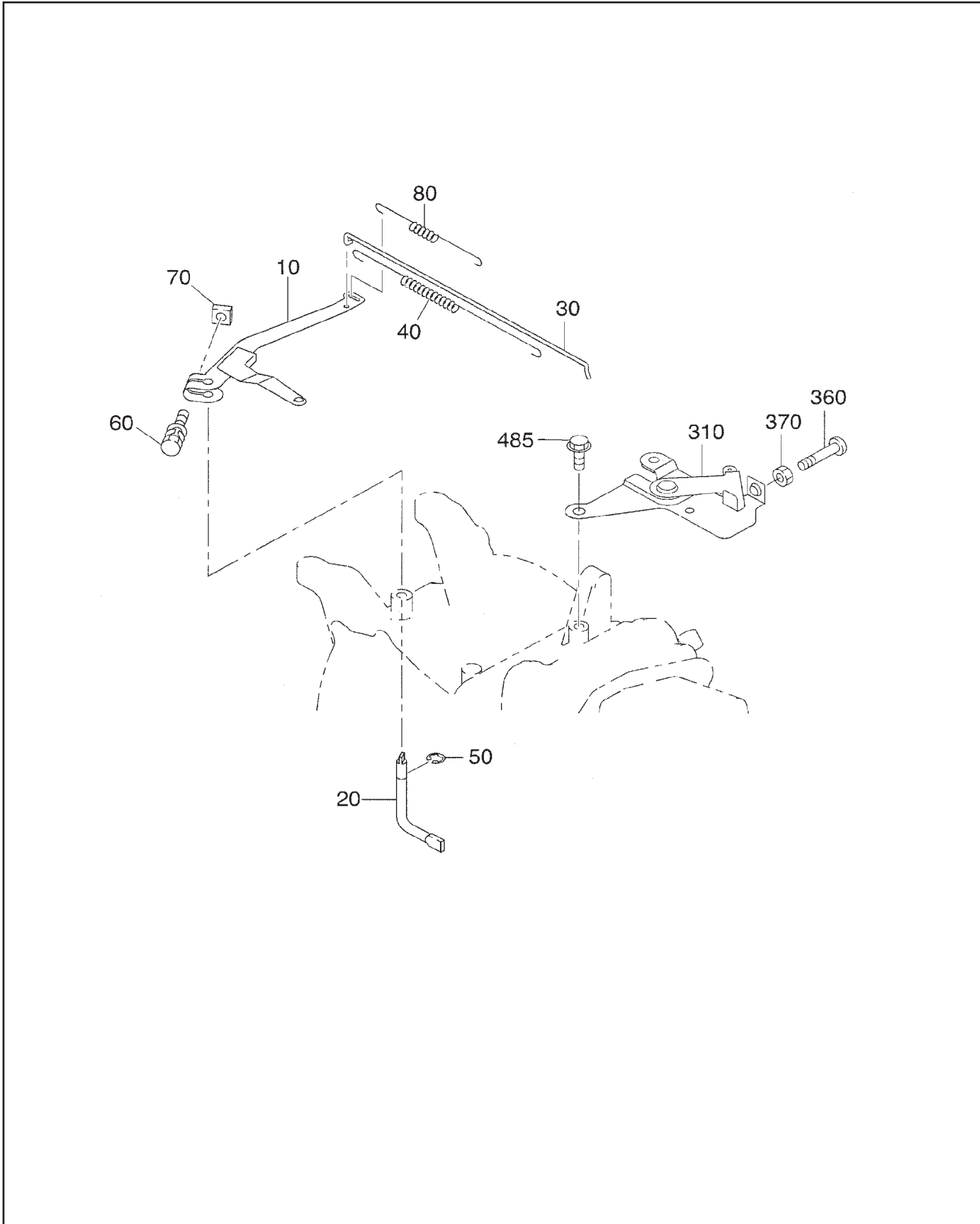
Ref.	Part Number	Description	Qty	Remarks	To-From	Fig.
10	278-31601-31	CAM SHAFT CP	1			300
25	277-35101-01	PIN(CAM SHAFT)CP	1			300
27	024-00600-10	O RING	1			300
34	277-38601-03	PIN(SPRING)	1			300
35	277-36401-03	RELEASE LEVER	1			300
37	277-36501-03	CLIP	1			300
38	279-38701-13	RETURN SPRING	1			300
60	279-33601-03	VALVE SPRING	2			300
70	269-33701-03	SPRING RETAINER	2			300
80	277-33401-H3	INTAKE VALVE	1			300
90	277-33501-H3	EXHAUST VALVE	1			300
95	132-10KA0-31	COLLET-VALVE	4			300
150	278-35601-11	TIMING CHAIN CP	1			300
160	277-36911-03	TENTIONER	1			300
163	277-37101-03	SPRING(TENTIONER)	1			300
166	277-36902-03	PIN(TENTIONER)	1			300
170	277-36913-13	CHAIN GUIDE	1			300
200	277-35002-01	PIN(ROCKER) CP	1			300
202	003-13050-00	CLIP	1			300
219	277-36001-07	ROCKER ARM AY SET	1			300
230	014-90500-20	ADJUST SCREW	1			300
231	014-90500-20	ADJUST SCREW	1			300
240	017-00500-30	NUT	1			300
241	017-00500-30	NUT	1			300
290	011-00600-20	FLANGE BOLT	1			300
340	277-35201-13	GASKET(MUFFLER)	1			300
341	270-35201-01	GASKET CP (MUFFLER)	1			300
350	002-38080-00	FLANGE NUT	2			300
351	002-38080-00	FLANGE NUT	2			300
405	277-34001-01	EXHAUST PIPE CP	1			300
540	277-32902-J1	INSULATOR CP	1			300
550	277-35903-J3	GASKET2(INSULATOR)	1			300
560	277-35902-J3	GASKET1(INSULATOR)	1			300
570	002-38060-00	FLANGE NUT	2			300
580	011-00600-50	FLANGE BOLT	1			300
620	278-39001-11	BRACKET(A/C) CP	1			300
850	291-66001-H0	RUBBER PIPE AY	1			300
860	056-60002-50	CLAMP	1			300

**FIG. 3 INTAKE and EXHAUST GROUP**





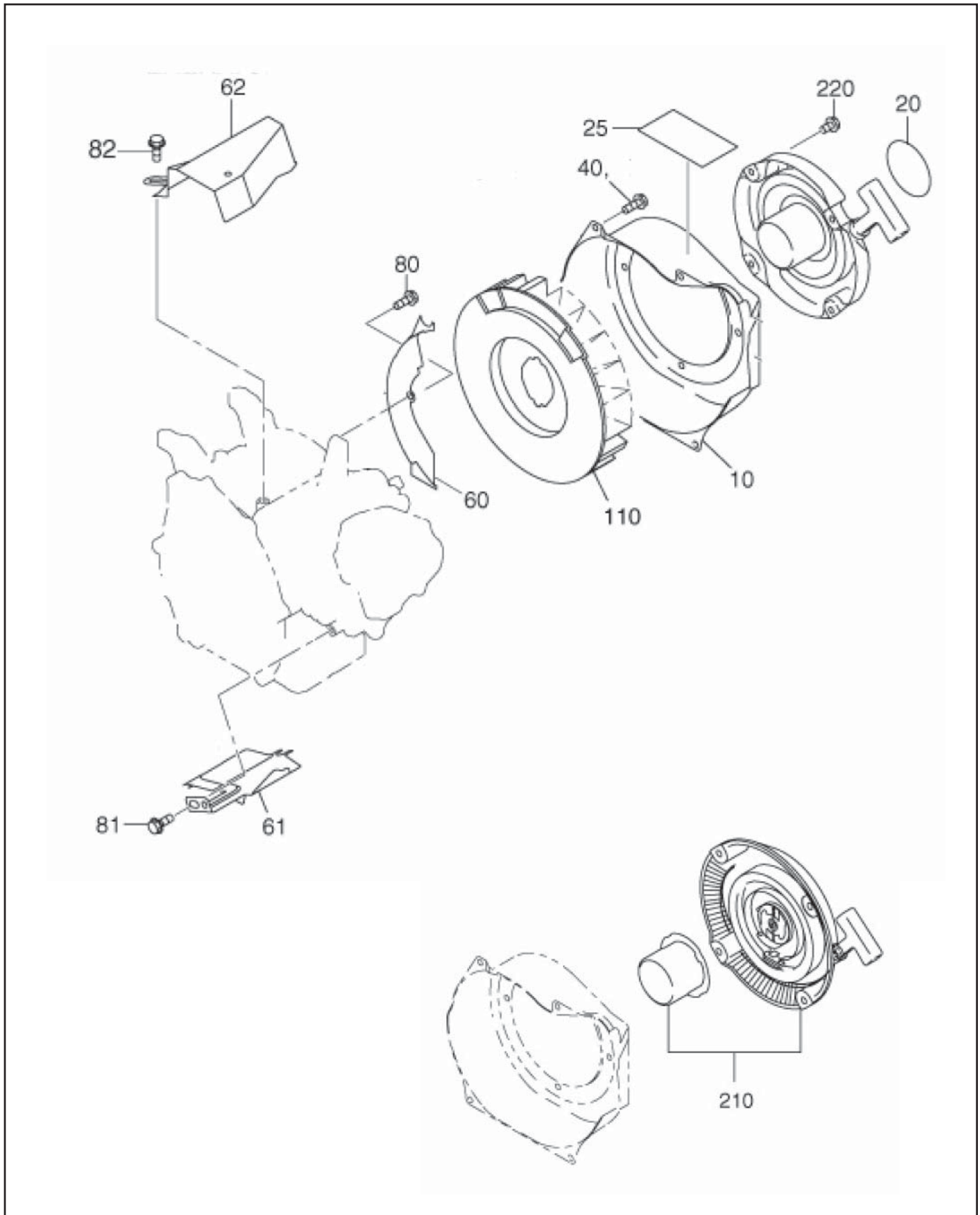
**FIG. 4 GOVERNOR GROUP**



**FIG. 4 GOVERNOR GROUP**

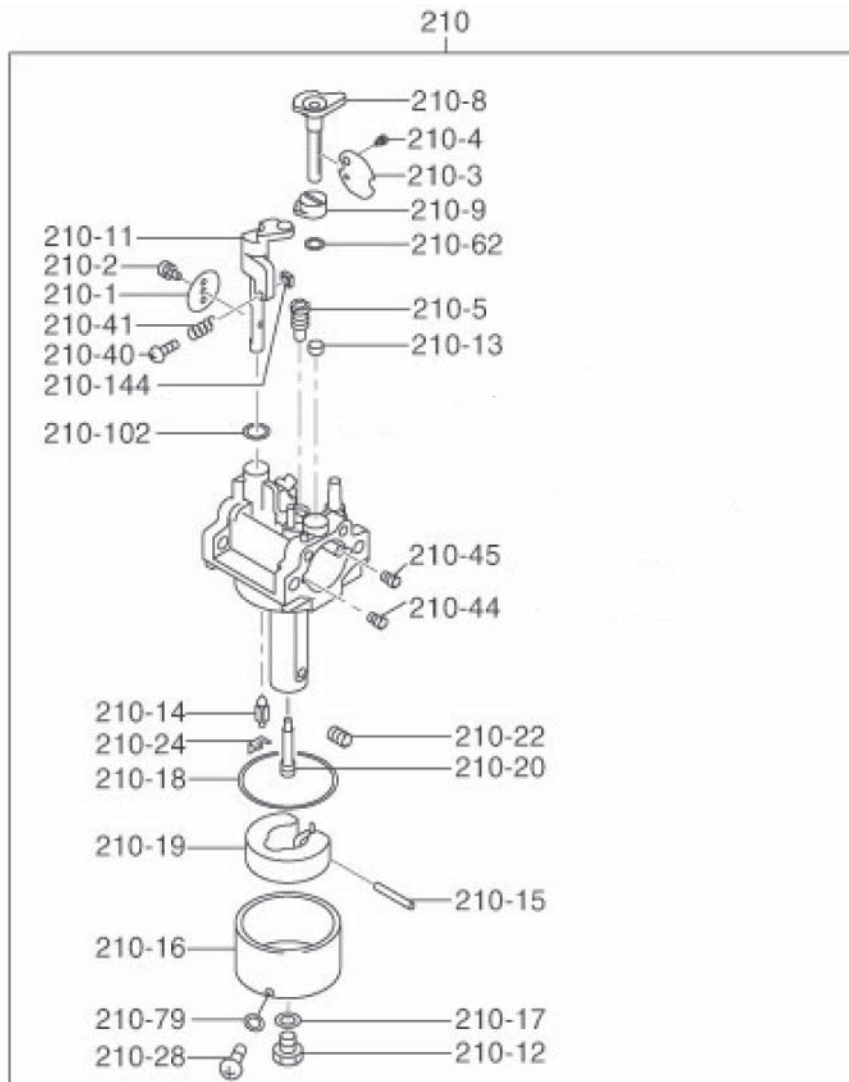
Ref.	Part Number	Description	Qty	Remarks	To-From	Fig.
10	277-42301-40	GOVERNOR LEVER AY	1			400
20	277-42201-33	GOVERNOR SHAFT	1			400
30	277-42701-11	GOVERNOR ROD CP	1			400
40	277-42801-23	ROD SPRING	1			400
50	003-13050-00	CLIP	1			400
60	001-14062-50	BOLT AND WASHER AY	1			400
70	018-60600-20	NUT	1			400
80	277-42510-13	GOVERNOR SPRING	1			400
310	277-46501-11	SPEED CONTROL CP	1			400
360	004-31064-00	SCREW	1			400
370	002-17060-00	NUT	1			400
485	011-00600-20	FLANGE BOLT	2			400

FIG. 5 COOLING and STARTING GROUP





**FIG. 6 FUEL LUBRICANT GROUP**

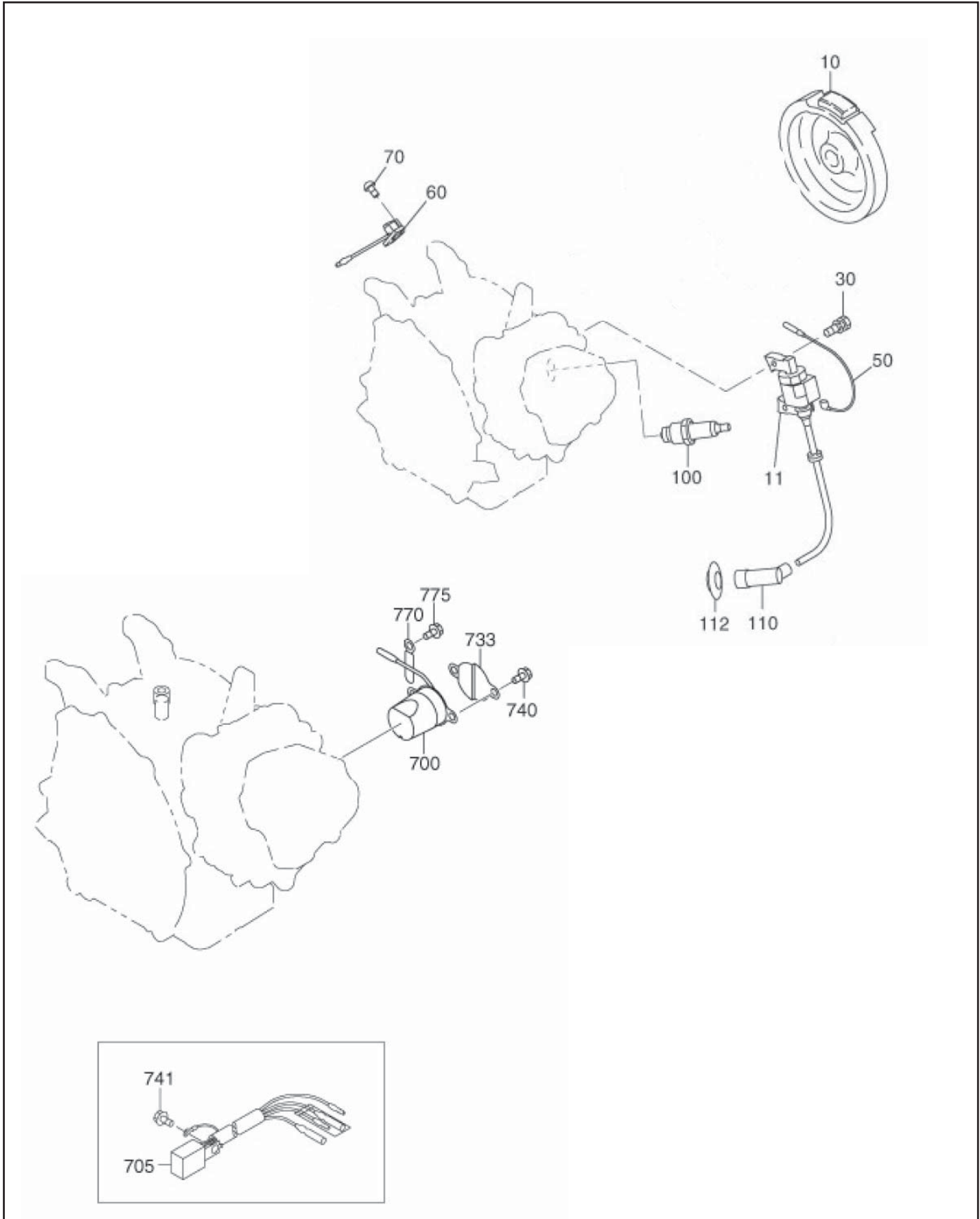




**FIG. 6 FUEL LUBRICANT GROUP**

Ref.	Part Number	Description	Qty	Remarks	To-From	Fig.
210	278-62314-10	CARBURETOR AY	1			640
-1	277-62535-08	THROTTLE VALVE	1	#160		640
-2	209-62351-08	SCREW	1			640
-3	277-62527-08	VALVE CHOKE	1			640
-4	237-62451-08	SCREW	2			640
-5	278-62420-08	PILOT JET	1	#41.3		640
-8	277-62522-08	CHOKE LEVER	1			640
-9	277-62570-28	RING	1			640
-11	277-62531-18	THROTTLE SHAFT-A	1			640
-12	227-62451-08	BOLT	1			640
-13	277-62571-08	RING	1			640
-14	277-62500-08	NEEDLE	1			640
-15	277-62515-08	PIN	1			640
-16	277-62506-08	FLOAT BODY AY	1			640
-17	214-62450-08	PACKING	1			640
-18	214-62540-08	CHAMBER PACKING	1			640
-19	226-62506-08	FLOAT	1			640
-20	278-62440-08	MAIN NOZZLE	1			640
-22	277-62403-08	MAIN JET	1	#85		640
-24	226-62701-18	CLIP	1			640
-28	277-62360-08	BOLT	1			640
-40	106-62556-08	SCREW	1			640
-41	283-62357-08	SPRING	1			640
-44	106-62411-08	AIR JET	1			640
-45	106-62410-08	AIR JET(PILOT)	1			640
-62	236-62680-08	SEAL	1			640
-79	236-62541-08	PACKING	1			640
-102	246-62390-08	SEAL	1			640
-144	277-62553-08	NUT	1			640

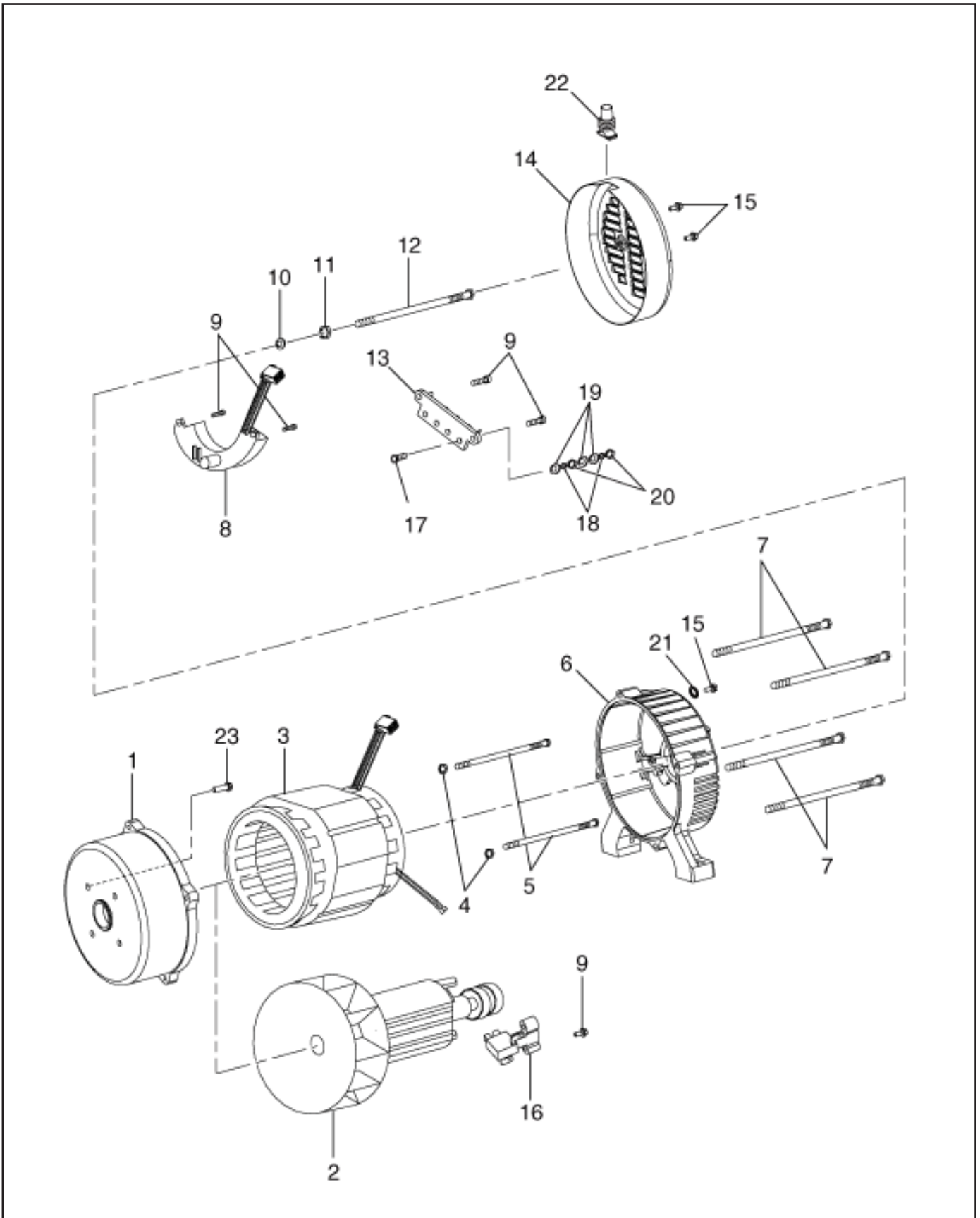
**FIG. 7 ELECTRIC GROUP**



**FIG. 7 ELECTRIC GROUP**

Ref.	Part Number	Description	Qty	Remarks	To-From	Fig.
10	20A-79231-01	FLYWHEEL CP	1			700
11	20A-79431-01	IGNITION COIL CP	1			700
30	001-14062-50	BOLT AND WASHER AY	2			700
50	277-73102-H1	WIRE 2 CP	1			700
60	066-00004-70	SWITCH AY	1			700
70	015-00400-90	TAPPING SCREW	2			700
100	065-01401-50	SPARK PLUG	1			700
110	065-50001-10	SPARK PLUG CAP	1			700
700	277-76301-21	OIL SENSOR CP	1			700
705	KU3-11073-01	FLOAT C/U CP7	1			700
733	277-75801-03	SHIELD PLATE(O/S)	1			700
740	001-14061-60	BOLT AND WASHER AY	2			700
741	011-00600-20	FLANGE BOLT	1			700

FIG. 22 GROUP



## FIG. 22      GROUP

Ref.	Part Number	Description	Qty	Remarks	To-From	Fig.
1	RGR40010004	ENGINE ADAPTOR	1			2200
2	RGR40010002	ROTOR ASSY	1			2200
3	RGR40010003	STATOR ASSY	1			2200
4	RGR325491002	NUT HEX FLANGE	2			2200
5	RGRGB5782B5165	BOLT HEX	2			2200
6	RGR40010005	BEARING ADAPTOR	1			2200
7	RGRGB16674BF6	BOLT HEX FLANGE	4			2200
8	RGR40010008	AVR	1			2200
9	RGRGB5789BF516	BOLT HEX FLANGE	5			2200
10	RGRGBT971W10	WASHER FLAT	1			2200
11	RGRGB93WL10	WASHER LOCK	1			2200
12	RGR40010010	BOLT	1			2200
13	RGR40010009	WIRING BOARD ASSY	1			2200
14	RGR40010006	MOTOR COVER	1			2200
15	RGRGB5789B58	BOLT HEX FLANGE	3			2200
16	RGR40010007	BRUSH	1			2200
17	RGRGB5789BF520	BOLT HEX FLANGE	4			2200
18	RGRGB93WL5	WASHER LOCK	8			2200
19	RGRGBT971W5	WASHER FLAT	12			2200
20	RGRGB6170N5	NUT HEX	8			2200
21	RGRGB8622WS5	WASHER STAR	1			2200
22	RGR5001008	RUBBER SLEEVE	1			2200
23	RGR30010009	BOLT HEX FLANGE	4			2200

FIG. 23 GROUP

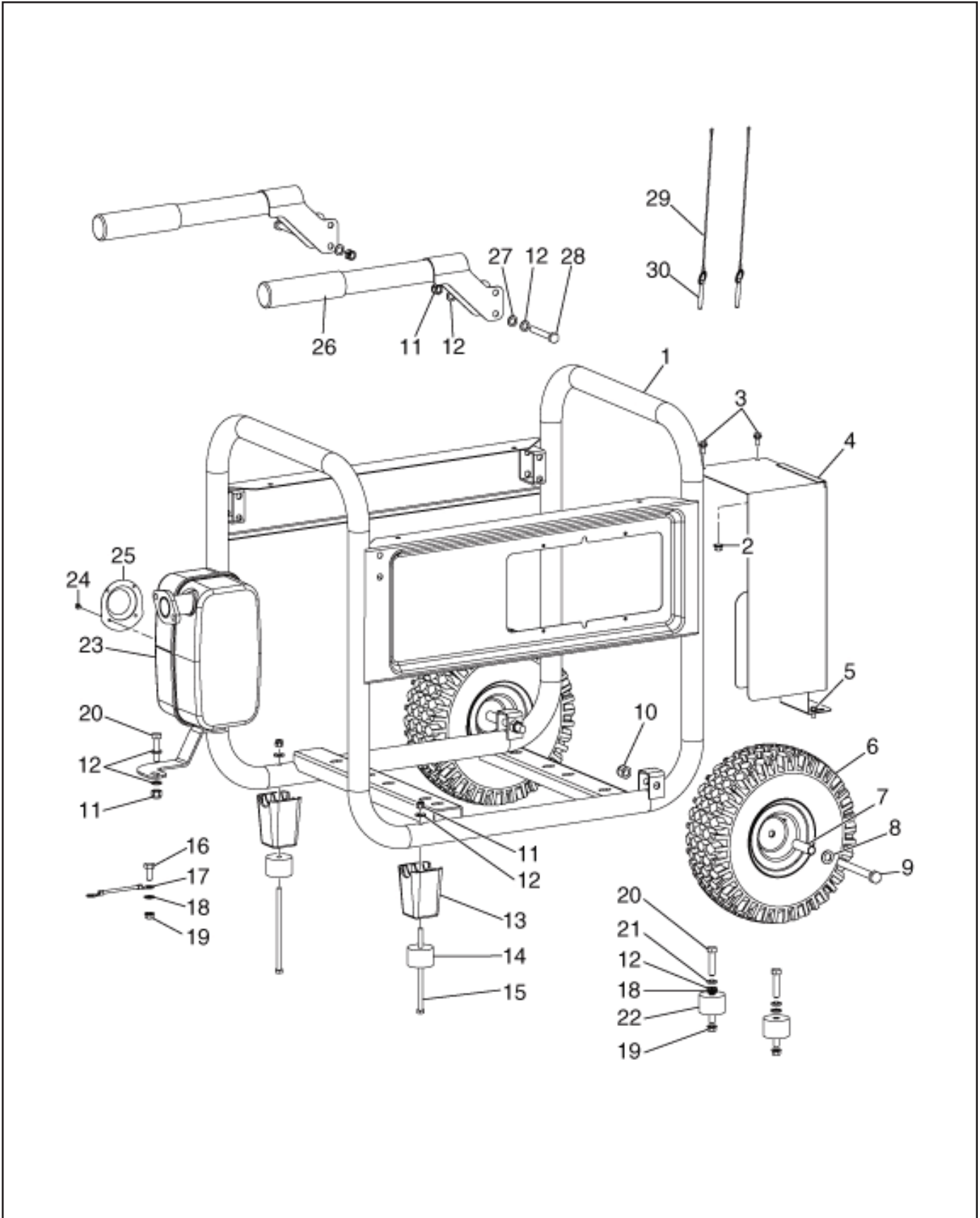




FIG. 24 GROUP

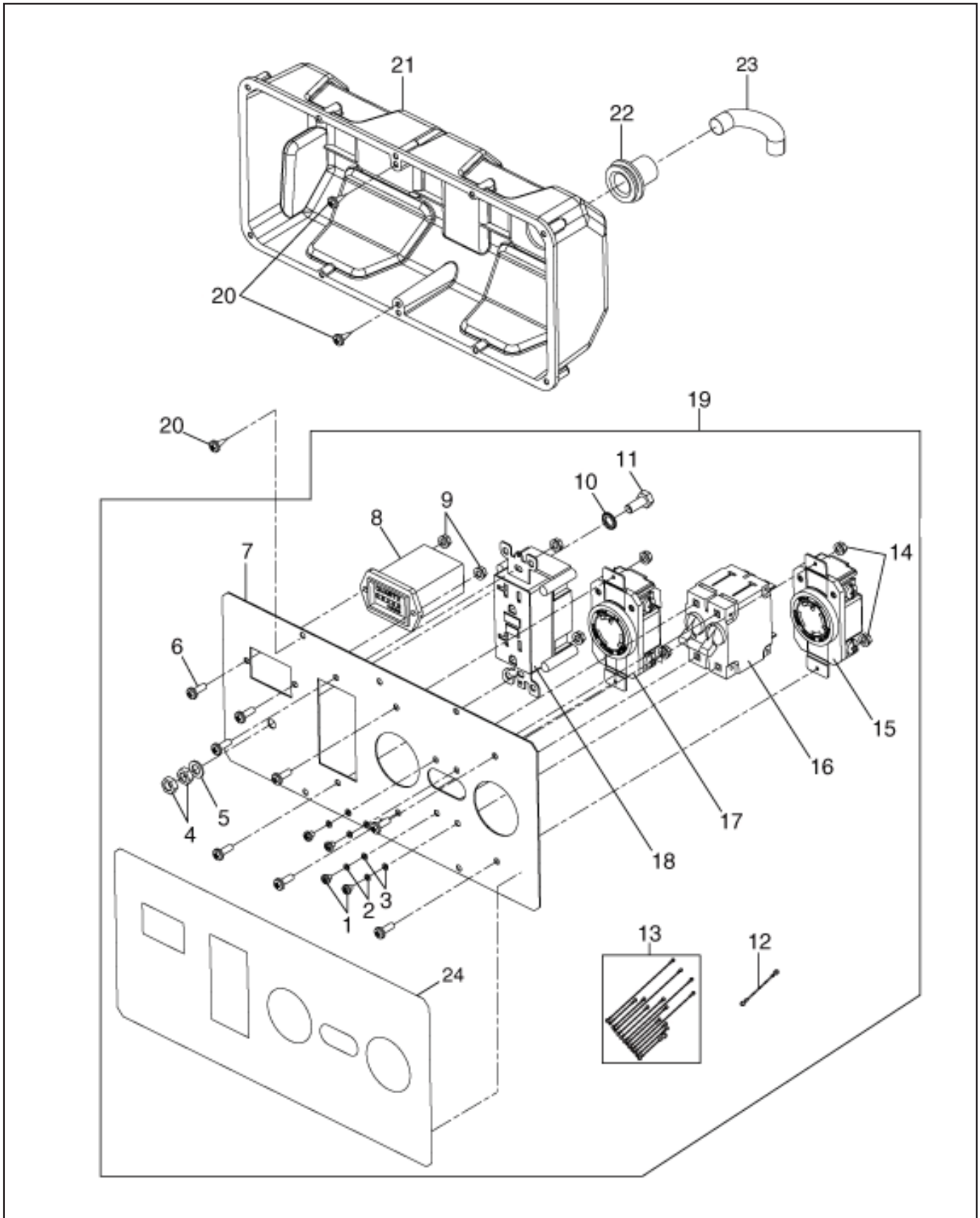






FIG. 26 GROUP

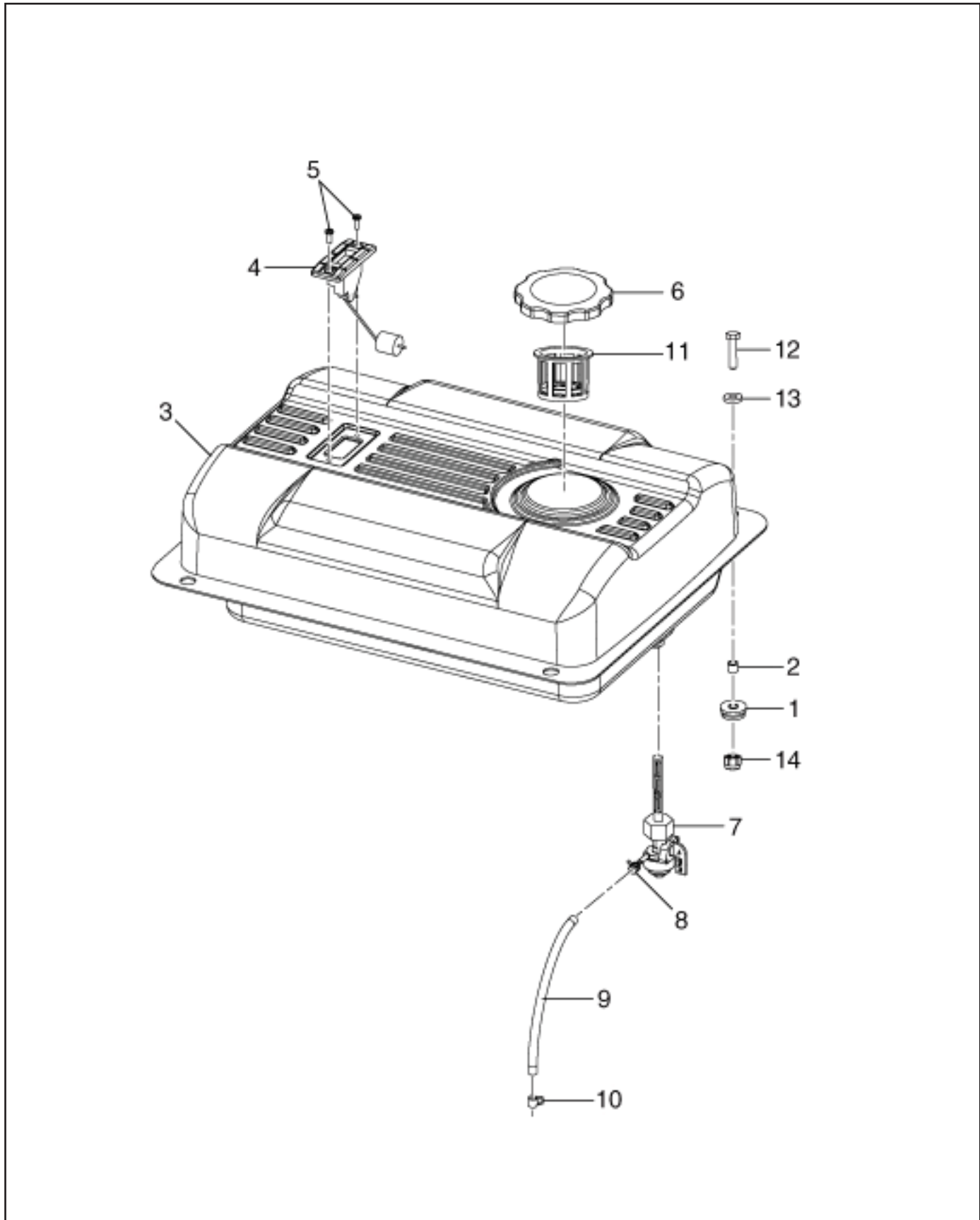




FIG. 29 GROUP

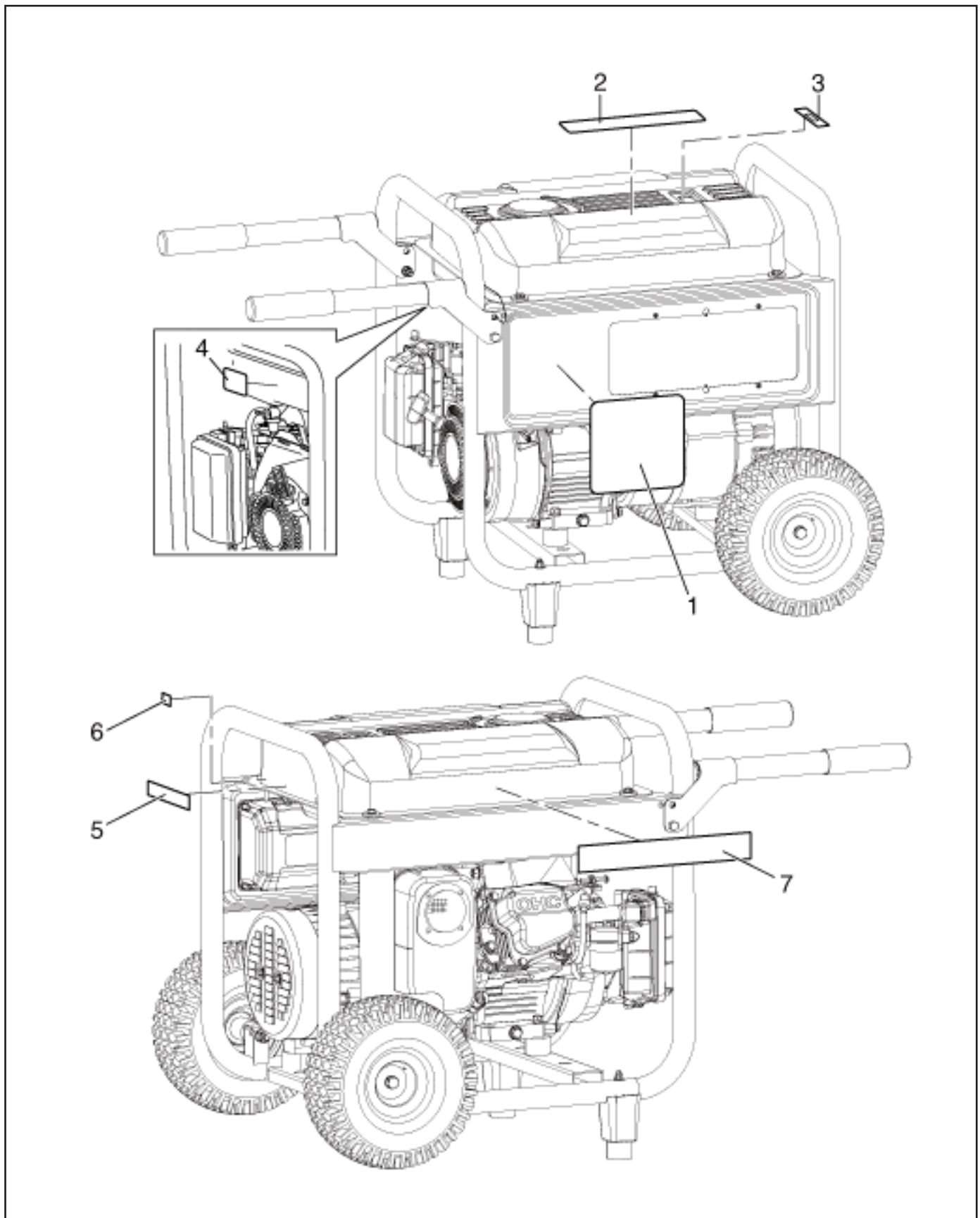


FIG. 29 GROUP

Ref.	Part Number	Description	Qty	Remarks	To-From	Fig.
1	RGR1011350008	LABEL LOGO SGX3500	1			2900
2	RGR940515016	LABEL CPSC	3			2900
3	RGR1011350007	LABEL FUEL GAUGE	1			2900
4	RGR1011350003	LABEL FUEL STRAINER	1			2900
5	RGR1011350002	LABEL SPEC	1			2900
6	RGR1011350004	LABEL WARNING	1			2900
7	RGR1011350001	LABEL WARNING	1			2900

PRINTED IN THE USA

## Robin America, Inc

905 Telsler Road • Lake Zurich, IL 60047  
Phone: 847-540-7300 • Fax: 847-438-5012  
e-mail: [sales@robinamerica.com](mailto:sales@robinamerica.com) • [www.subarupower.com](http://www.subarupower.com)