

Ersatzteilliste Spare Parts List

Robin Motor
Typ EH 12-2

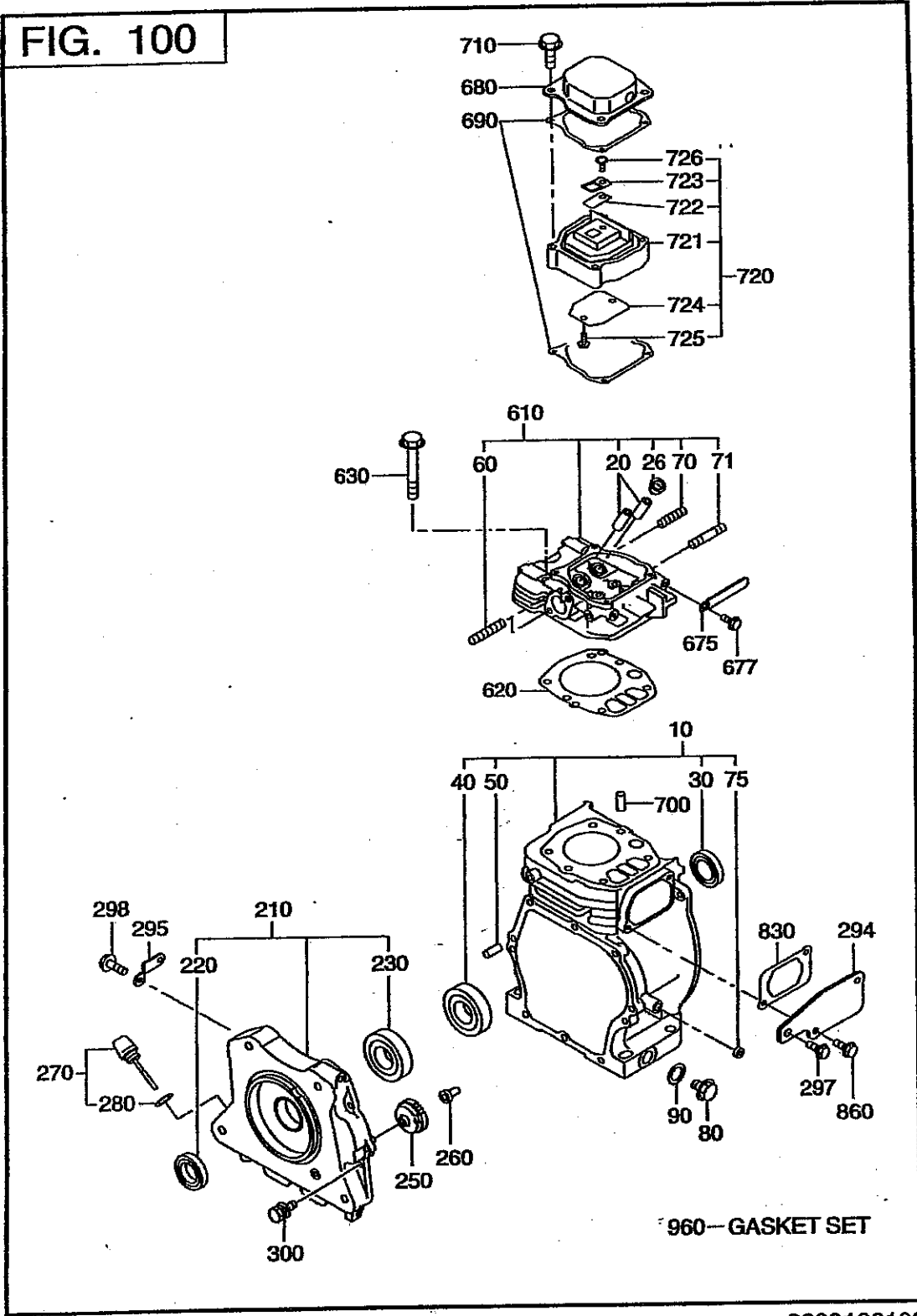
Für Stampfer
SRV 65/66/70

Ausführung Membranvergaser

Spec. No. EH122D46410

ISSUE EMD-EP6099
Stand 09/2004

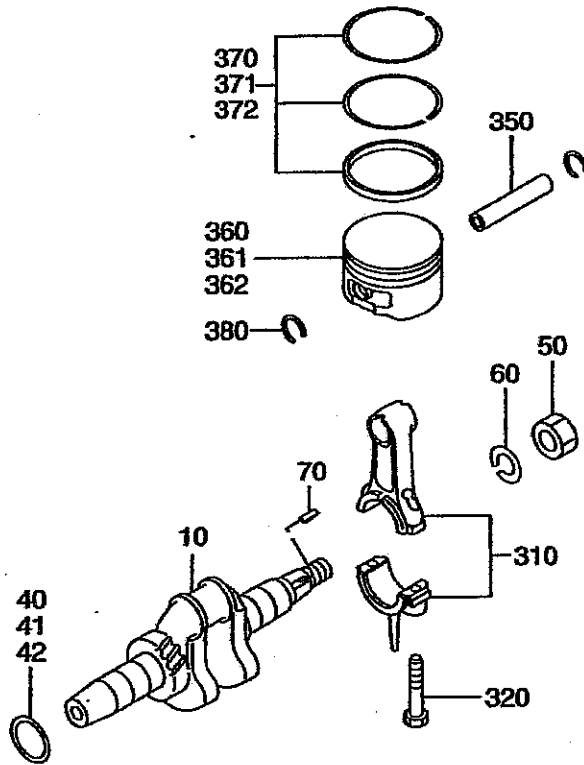
FIG. 100

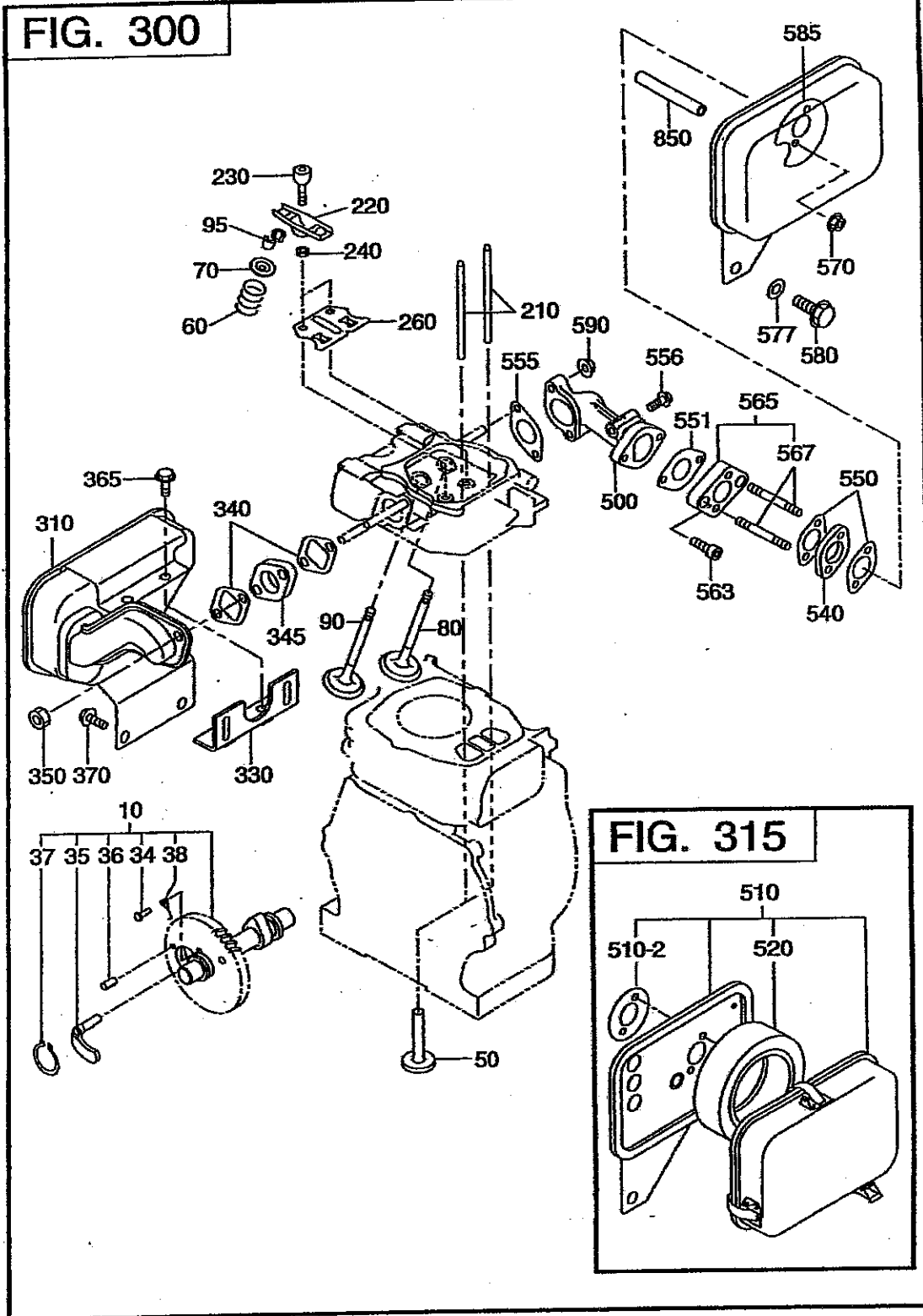


1 CRANK CASE

REF.	PART NUMBER	PART NAME	QTY	REMARKS	CODE NO. FROM-TO	INTERCHANGEABLE PART NUMBER	UNIT PRICE	FIG.
10	252-10301-31	CRANK CASE CP	1		-			100
20	237-14202-03	VALVE GUIDE	2	5.50X9.50X27L	-			100
26	277-16010-01	STEM SEAL	1	5.50X9.50X150X7.88	-			100
30	044-02501-50	OIL SEAL	1	25DX38DX78	-			100
40	060-02501-00	BALL BEARING	1	25DX52DX158	-			100
50	031-00600-20	DONEL PIN	2	6DX14.5L	-			100
60	010-50804-80	STUD	2	16X1.25X35L	-			100
70	010-50601-31	STUD	1	16X1.0X33L	-			100
71	001-39066-00	STUD	1		-			100
75	044-00800-10	OIL SEAL	1	8DX14DX48	-			100
80	040-11400-30	PLUG	2	M14X1.5X200X12L	-			100
90	021-11400-20	GASKET	2	14.1DX19DX2.3T	-			100
210	268-11109-01	MAIN BEARING COVER C	1		-			100
220	044-02501-60	OIL SEAL	1	25DX41DX78	-			100
230	060-02500-10	BALL BEARING	1	25DX52DX158	-			100
250	227-45003-01	GOVERNOR GEAR CP	1	52DX26T N-25	-			100
260	205-41901-03	GOVERNOR SLEEVE	1	60X90X160X26L	-			100
270	268-63603-01	OIL GAUGE CP	1		-			100
280	021-31600-20	GASKET	1	16DX230X1.2T RUBBER	-			100
294	252-17002-01	BRACKET(M.B.C) CP	1		-			100
295	252-17001-01	SUPPORT(M.B.C)	1		-			100
297	001-13081-60	BOLT & WASHER AY	1		-			100
298	001-13081-60	BOLT & WASHER AY	2		-			100
300	013-00602-00	BOLT AND WASHER AY	8	16X1.0X30L W/SW	-			100
610	268-13101-21	CYLINDER HEAD CP	1		-			100
620	253-15001-33	GASKET (HEAD)	1	T=0.2	-			100
630	011-00801-00	FLANGE BOLT	4	16X1.25X17DX65L	-			100
675	056-60002-50	CLAMP	1	6.50X108X95X0.6T	-			100
677	011-00600-20	FLANGE BOLT	1	16X1.0X14DX12L	-			100
680	252-15502-03	ROCKER COVER	1		-			100
690	269-16004-03	GASKET (ROCKER COVER)	2	T=2.0	-			100
700	031-00600-20	DONEL PIN	2	6DX14.5L	-			100
710	011-00601-70	FLANGE BOLT	4	16X1.0X13DX40L	-			100
720	252-15601-20	SPACER(BREATHER) AY	1		-			100
721	252-15601-13	SPACER(BREATHER)	1		-			100
722	252-16001-03	LEAF VALVE	1		-			100

FIG. 200





3 INTAKE EXHAUST

REF.	PART NUMBER	PART NAME	QTY	REMARKS	CODE NO. FROM-TO	INTERCHANGEABLE PART NUMBER	UNIT PRICE	FIG.
10	253-31701-11	CANSHAFT CP	1	L-116 89DX88 H-44	-			300
34	227-38601-23	PIN (SPRING)	1	3.8DX7.5DX14L	-			300
35	227-36401-13	RELEASE LEVER	1		-			300
36	005-19041-00	SPRING PIN	1		-			300
37	003-15220-00	SNAPRING (OUTER)	1		-			300
38	227-38701-03	RETURN SPRING	1	5DX0.7DX5.5L H-6.8	-			300
50	239-33301-13	TAPPET	2	26DX8DX48L	-			300
60	253-33601-03	VALVE SPRING	2	19.1DX2.3DX27L H-5.5	-			300
70	269-33701-03	SPRING RETAINER	2		-			300
80	268-33401-03	INTAKE VALVE	1	21DX5.5DX66.8L	-			300
90	268-33501-03	EXHAUST VALVE	1	19DX5.5DX66.8L	-			300
95	132-10KA0-31	COLLET-VALVE	4		-			300
210	268-35301-03	PUSH ROD	2	5.6DX118.5L	-			300
220	269-36001-03	ROCKER ARM	2		-			300
230	269-35801-03	BOLT (PIVOT)	2	M6X0.75X19L 13.5D-S0	-			300
240	017-00600-90	NUT	2	M6X0.75X5.1H	-			300
260	269-36501-03	GUIDE PLATE	1		-			300
310	252-30401-11	MUFFLER CP	1		-			300
330	252-37001-11	BRACKET CP	1		-			300
340	253-35201-03	GASKET (MUFFLER)	2	T-0.2	-			300
345	252-36501-23	SPACER (EXHAUST)	1		-			300
350	017-60800-20	SELF LOCK NUT	2	M8X1.25X13H	-			300
365	001-13081-60	BOLT & WASHER AY	2		-			300
370	001-14081-60	BOLT AND WASHER AY	2		-			300
500	268-33004-13	INTAKE PIPE	1		-			300
510	268-32714-00	AIR CLEANER AY	1		-			315
- 2	106-32723-08	PACKING	1		-			315
520	252-32602-07	ELEMENT AY	1		-			315
540	252-32901-03	INSULATOR	1	T-5 20D 5.5DX31P	-			300
550	106-65002-03	GASKET (CARB.)	2	T-0.3 20D 5.5DX31P	-			300
551	236-35903-03	GASKET 2 (INSULATOR)	1	T-0.3 19.5D 6.5DX42P	-			300
555	282-35901-03	GASKET (INSULATOR)	1	T-0.5 25D 6.5DX42P	-			300
556	001-14064-00	BOLT AND WASHER AY	1		-			300
563	011-90600-20	BOLT (SOCKET HEAD)	2	M6X1.0X14L	-			300
565	252-33102-21	INTAKE FLANGE CP	1		-			300
567	010-50500-60	STUD	2	M5X0.8X60L	-			300

FIG. 400

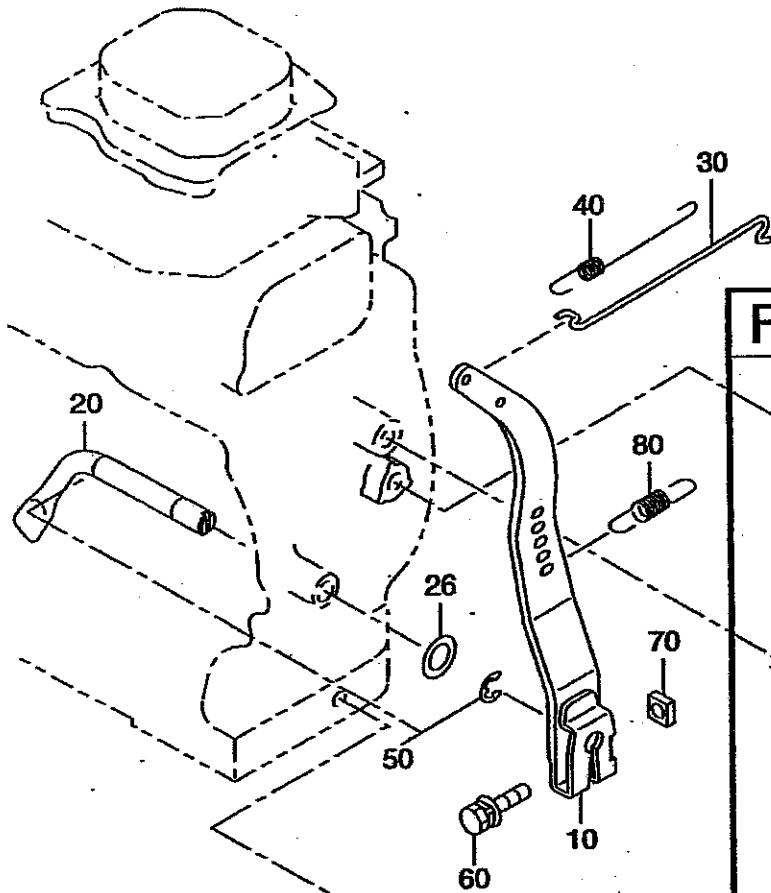


FIG. 420

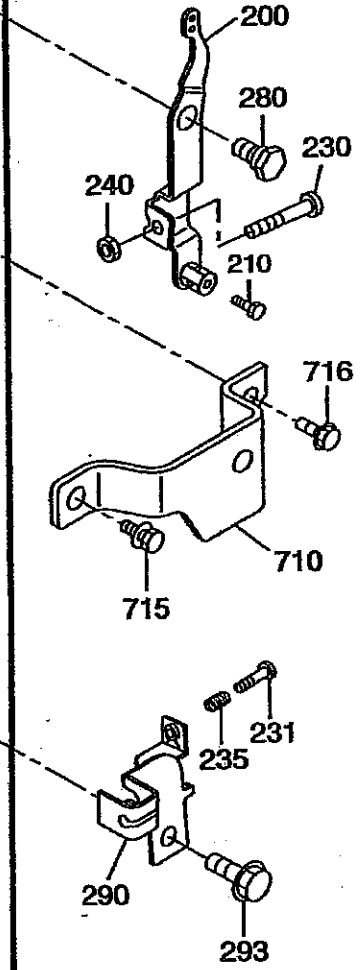


FIG. 500

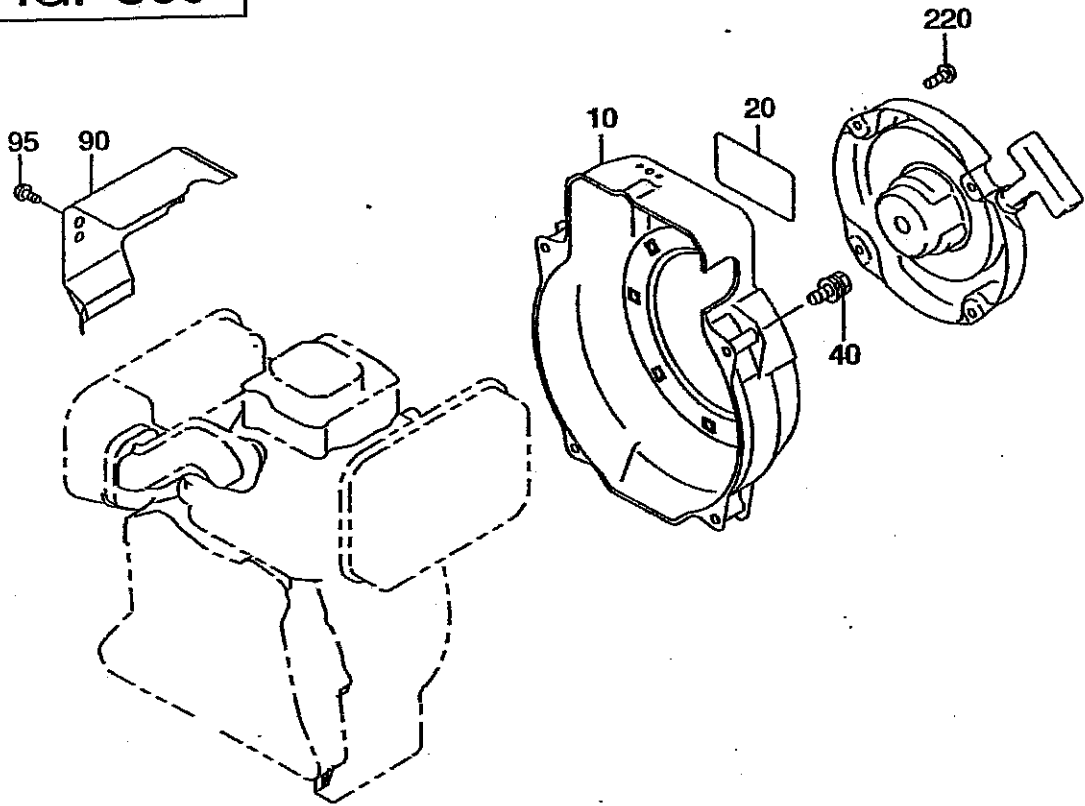


FIG. 520

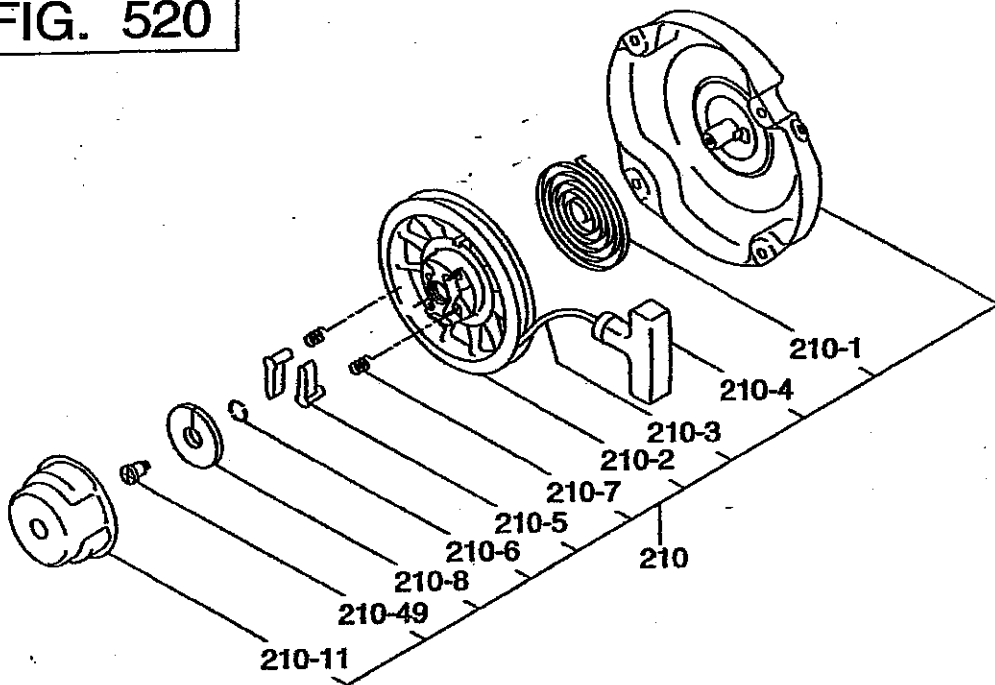


FIG. 645

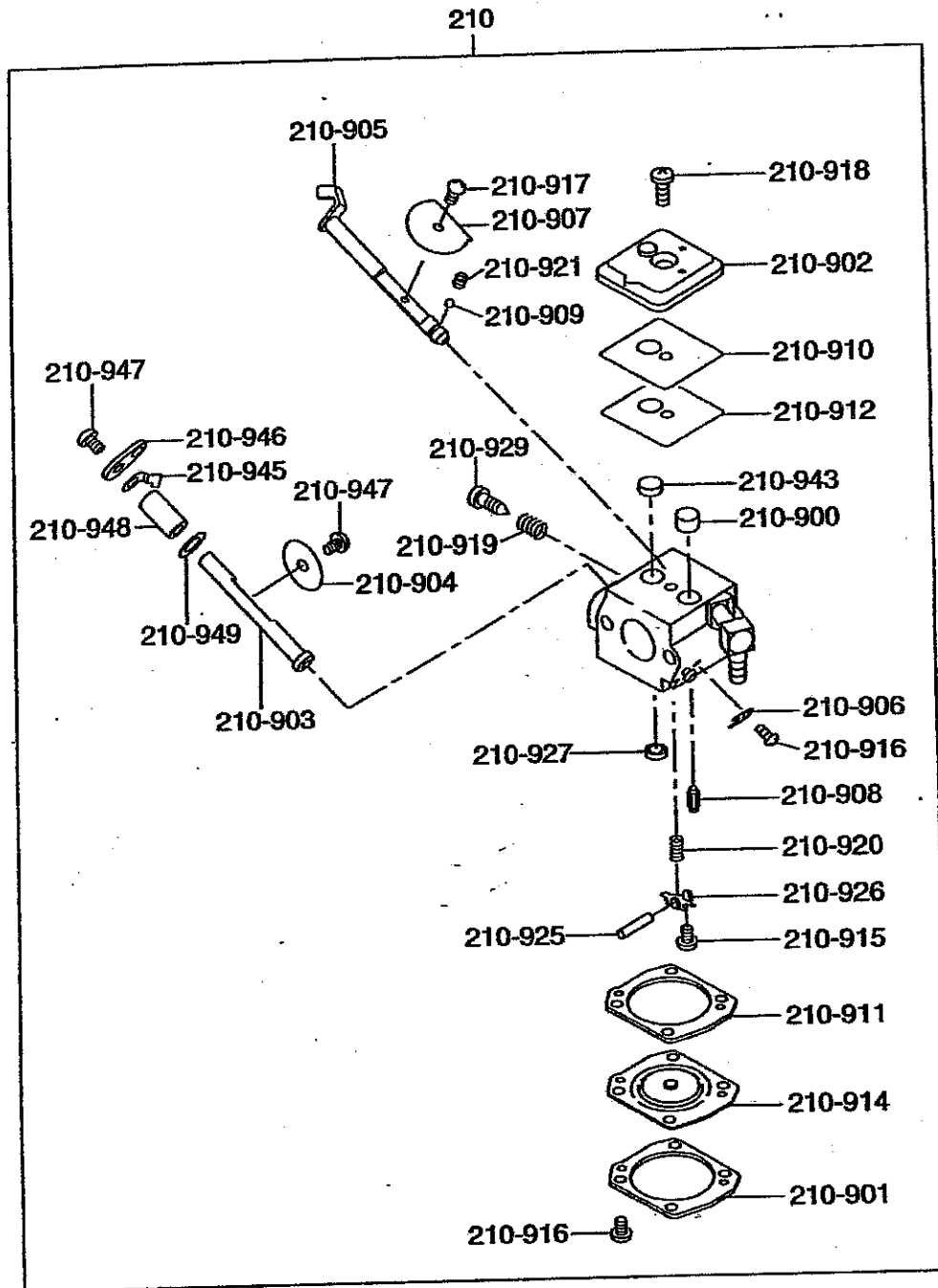


FIG. 700

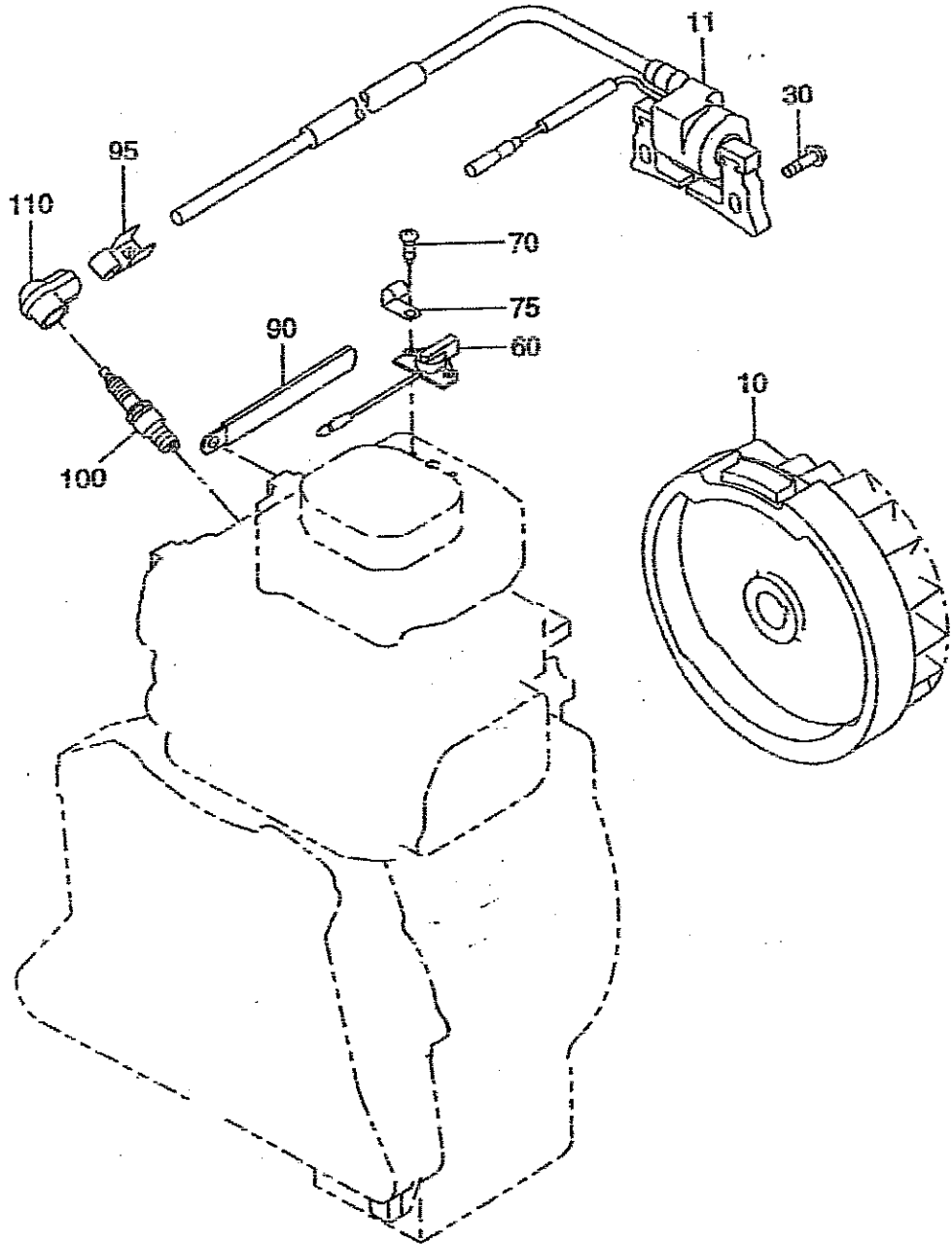


FIG. 900

