

PARTS MANUAL

Models

EX35

ENGINES

PUB-EP
Rev. 08/09

Robin America, Inc.

905 Telser Road, Lake Zurich, IL 60047 • Phone: 847-540-7300 • Fax:847-438-5012
e-mail: sales@robinamerica.com • www.subarupower.com

© Copyright 2009 Robin America, Inc.

MANUAL LAYOUT

1— SECTION 6 FUEL GROUP

2— FIG. 600

1— SECTION 6 FUEL GROUP

REF.	PART NO.	DESCRIPTION	QTY.	REMARKS	FROM-TO	FIG.
10	267-60103-01	FUEL TANK CP	1	YD, YS TYPE, BLACK		600
27	267-60101-01	FUEL TANK CP	1	YELLOW		600
27	073-20039-00	LABEL, WARNING	1	YD, YS TYPE		600
30	043-04300-15	FUEL TANK CAP CP	1			600
31	267-95201-03	LABEL, EMISSION	1	YD, YS TYPE		600
40	064-13600-10	FUEL FILTER	1			600
50	064-20021-01	FUEL STRAINER AY	1			600
-1	064-20002-20	FILTER	1			600
-2	064-20002-30	GASKET	1			600
-3	064-20019-10	CUP	1			600

1. SECTION NAME Parts are broadly classified according to their functions. Refer to the Group Index (table of contents) for respective section name.
2. FIG. No. The FIG. number indexes the reference and part numbers to the illustration. Figure numbers that vary only in the tens place (i.e.: 700 and 710) are in a group of the same section (i.e.:Electrical Device Group).
3. REF. No. The Reference number identifies the part illustration with the corresponding part number in the part list.
4. SUBASSEMBLY SUBASSEMBLY parts of part assembly are listed below the assembly part. The subassembly part reference number is indicated by the number led by "-" such as "-1", "-2".
5. PART NUMBER It is the number assigned for sales unit. Use the PART No. when making an order.
6. DESCRIPTION It is designation of the part.
7. QTY. Quantity of each part used for each product.
8. REMARKS This gives a distinctive feature and/or a supplementary comment for the type, the specification, and the part concerned. It also shows part number(s) interchangeable for the part.
9. FROM-TO This section shows the CODE No. to indicate the history of progress in which improved parts have been introduced in the product. The FROM-TO CODE No. helps to identify PART No. being employed in the product concerned. See the examples below:
 - The part is used in the product irrespective of CODE No.
 - 2101- The part is used in the products with CODE No. of 2101 and after this number.
 - 2100 The part is used in the products with CODE No. of 2100 and before this number.

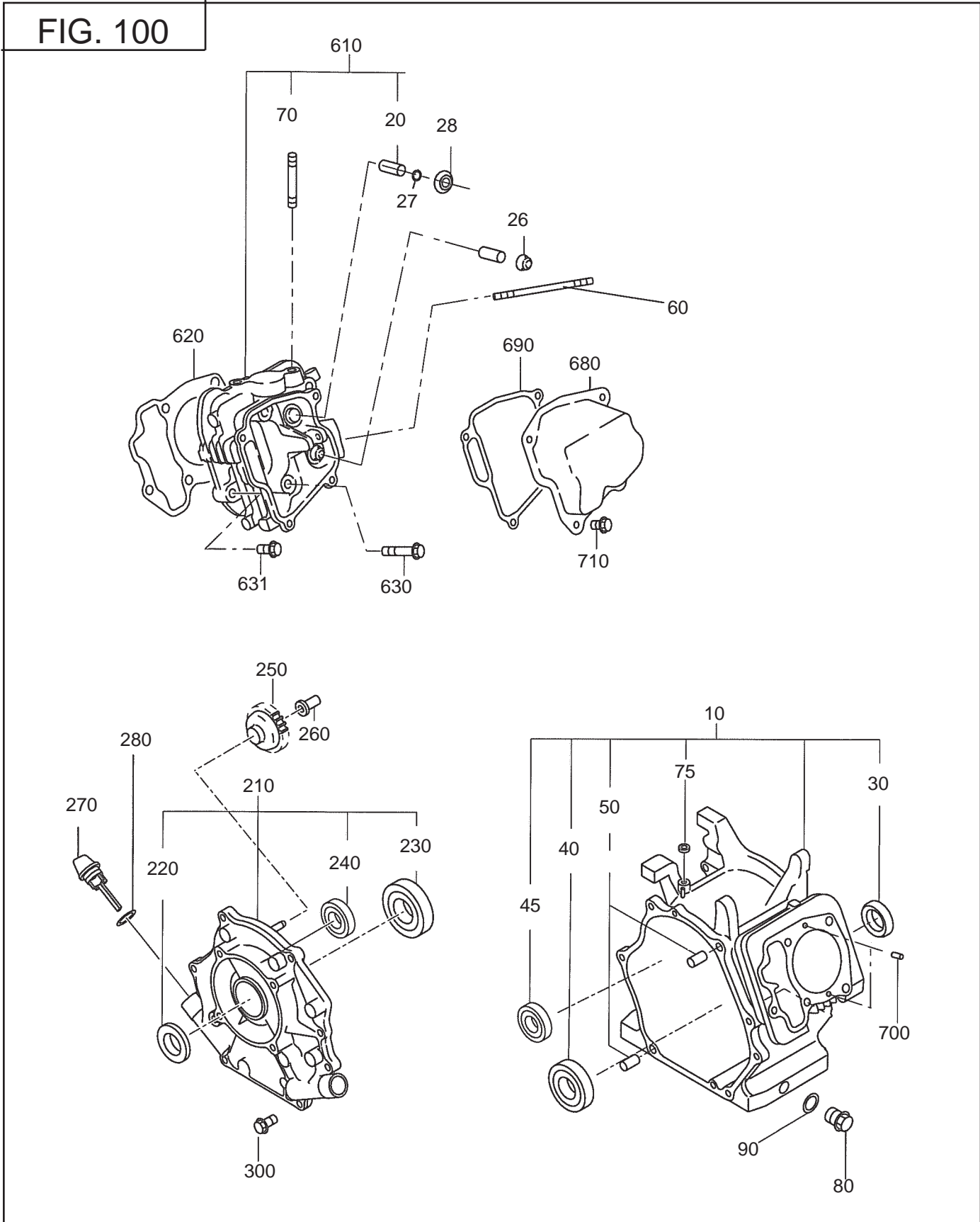
GROUP INDEX

Group Name	Page
CRANKCASE GROUP	6
CRANKSHAFT GROUP	8
INTAKE and EXHAUST GROUP	10
GOVERNOR GROUP	14
COOLING and STARTING GROUP	16
FUEL, LUBRICANT GROUP	18
CARBURETOR GROUP	20
ELECTRIC DEVICE GROUP	22
ACCESSORY GROUP	24

INDEX OF DESCRIPTION SYMBOLS			
SYMBOL	DESCRIPTION	SYMBOL	DESCRIPTION
AY	ASSEMBLY	P=	PITCH (in mm)
CP	COMPLETE	P.T.O. (PTO)	POWER TAKE OFF
EX	EXPORT (from Japan)	REF	REFERENCE
FIG	FIGURE	R.H. (RH)	RIGHT HAND SIDE
FR	FRONT	RR	REAR
"	INCH	STD.	STANDARD
INCL.	INCLUDE	SW	SWITCH
~L	LITER	T=	THICKNESS (in mm)
L=	LENGTH (in. mm)	UN	UNIT
L.H. (LH)	LEFT-HAND SIDE	U.S.	UNDER SIZE
MECH	MECHANICAL	~V	VOLTAGE
NO (NON)	NONE	~W	WATT
OPT	OPTIONAL	W/	WITH
O.S.	OVER SIZE	W/O	WITHOUT

SECTION 1 CRANKCASE GROUP

FIG. 100

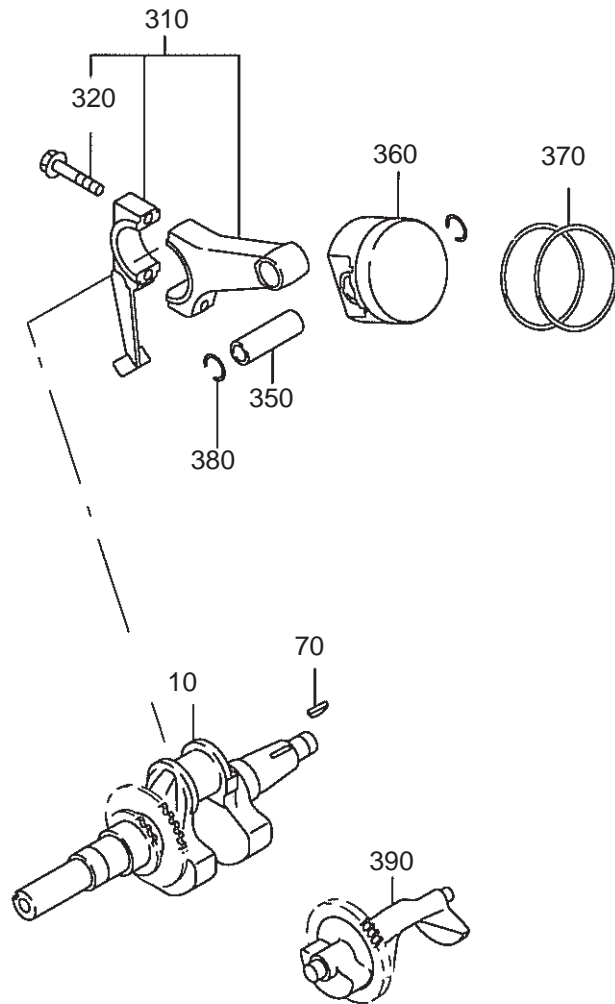


SECTION 1 CRANKCASE GROUP

Ref.	Part Number	Description	Qty	Remarks	To-From	Fig.
10	20E-10102-21	Crankcase Cp	1			100
20	20B-14202-03	Valve Guide	2			100
26	132-07AA0-50	Seal, intake valve	1			100
27	056-51000-50	Clip	1			100
28	263-35341-03	Retainer Plate	1			100
30	044-03500-90	Oil Seal	1			100
40	060-03502-40	Ball Bearing	1			100
45	X60-01500-11	Ball Bearing	1			100
50	277-15011-03	Pipe Knock	2			100
60	010-50603-51	Stud, intake	2			100
70	010-50802-90	Stud, exhaust	2			100
75	044-00800-10	Oil Seal	1			100
80	040-11400-30	Plug	1			100
90	021-11400-20	Gasket	1			100
210	20B-11002-11	Main Bearing Cover Cp	1			100
220	044-03500-90	Oil Seal	1			100
230	060-03502-40	Ball Bearing	1			100
240	X60-01500-11	Ball Bearing	1			100
250	20B-45003-01	Governor Gear Cp	1			100
260	277-41901-03	Governor Sleeve	1			100
270	224-63601-01	Oil Gauge	2			100
280	021-32000-50	Gasket	1			100
300	011-00803-40	Flange Bolt	8			100
610	20B-13001-01	Cylinder Head Cp	1			100
620	20B-15001-03	Gasket, cylinder head	1			100
630	011-01000-40	Flange Bolt	4			100
631	001-04083-50	Flange Bolt	2			100
680	20B-15501-01	Rocker Cover Cp	1			100
690	20B-16001-03	Gasket, rocker cover	1			100
700	031-00600-20	Dowel Pin	2			100
710	011-00600-20	Flange Bolt	4			100
960	20B-99001-07	Gasket Set	1			100

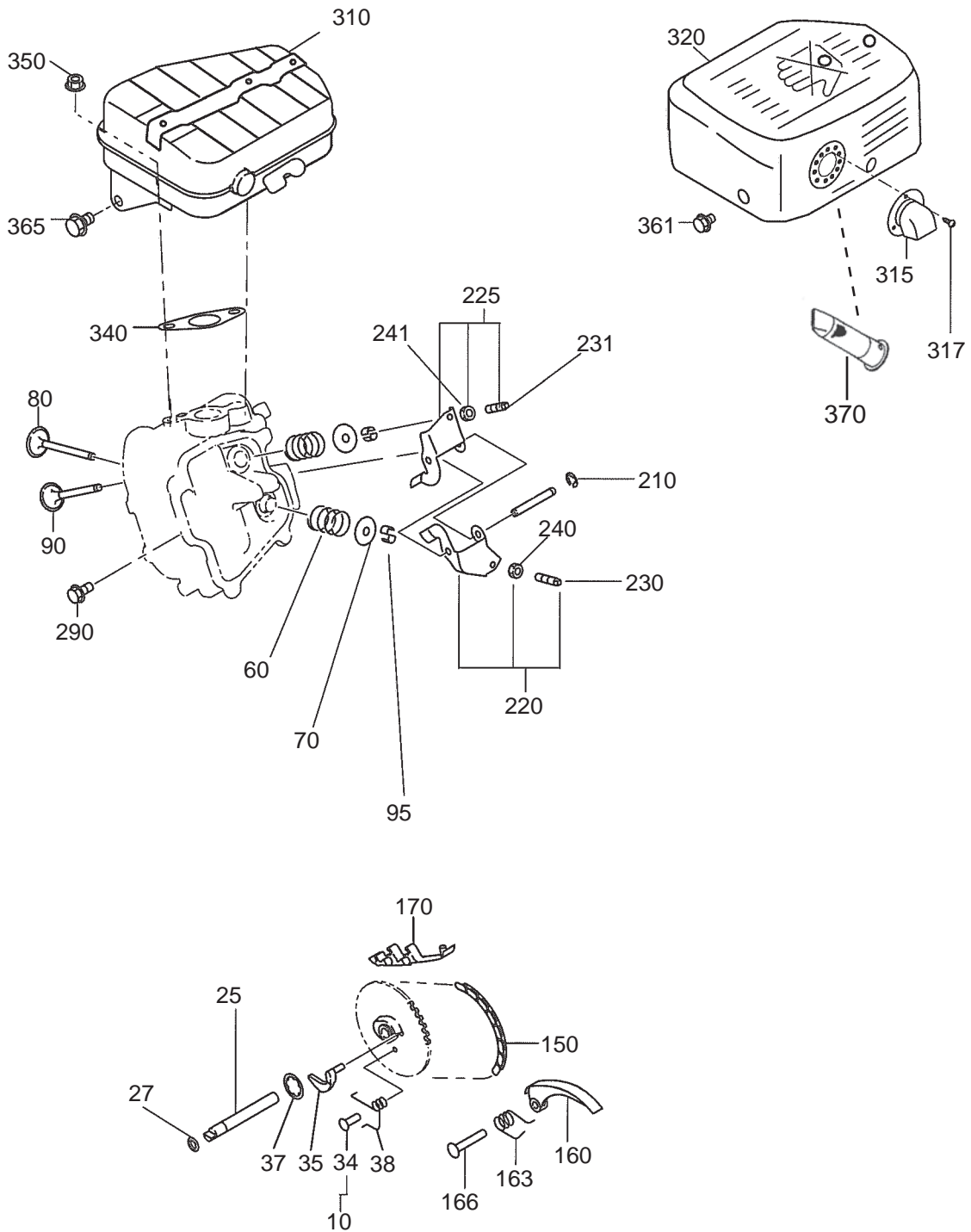
SECTION 2 CRANKSHAFT GROUP

FIG. 200



SECTION 3 INTAKE and EXHAUST GROUP

FIG. 300

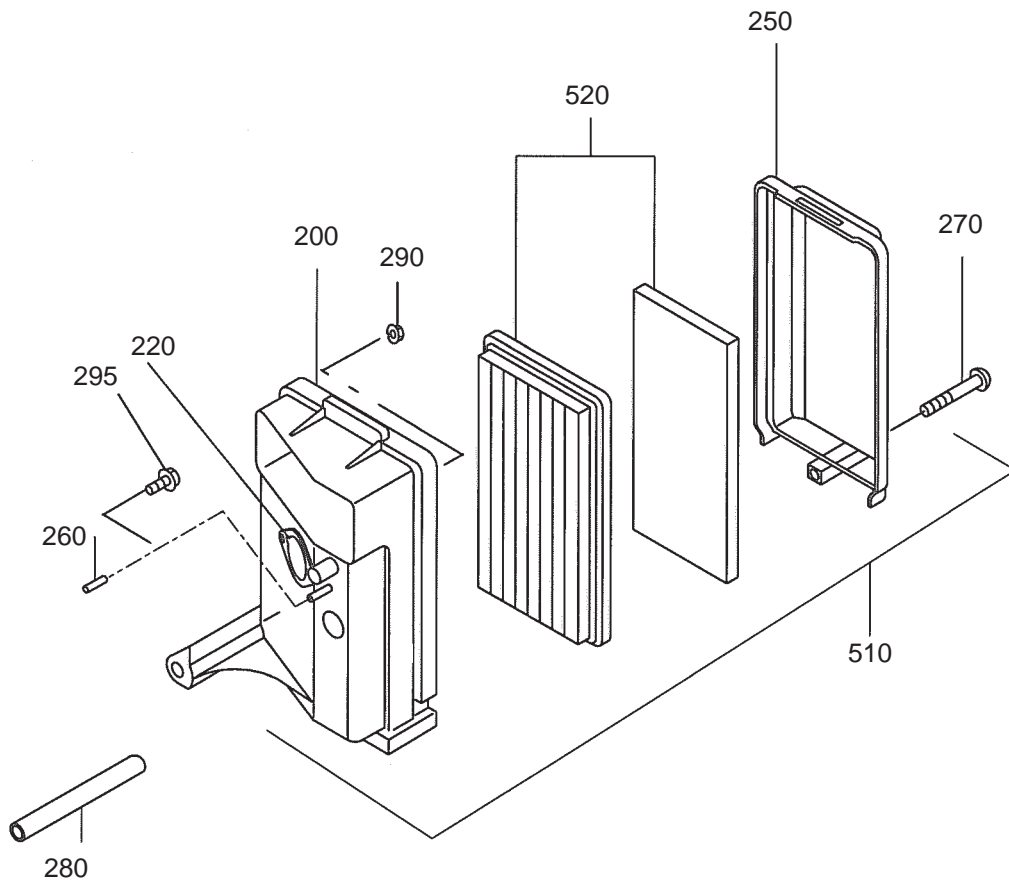


SECTION 3 INTAKE and EXHAUST GROUP

Ref.	Part Number	Description	Qty	Remarks	To-From	Fig.
10	20B-31601-01	Camshaft Cp	1			300
25	20B-35101-11	Pin Cp, camshaft	1			300
27	024-00700-20	O ring	1			300
34	005-19041-00	Pin, spring	2			300
35	277-36401-03	Release Lever	1			300
37	20B-36501-03	Clip	1			300
38	277-38702-03	Return Spring	1			300
60	246-33611-03	Valve Spring	2			300
70	246-33711-13	Spring Retainer	2			300
80	20B-33401-H3	Intake Valve	1			300
90	20B-33501-H3	Exhaust Valve	1			300
95	246-35501-03	Collet Valve	4			300
150	20B-35601-H1	Timing Chain	1			300
160	277-36911-03	Tentioner	1			300
163	277-37101-03	Spring, tentioner	1			300
166	277-36902-03	Pin, tentioner	1			300
170	277-36913-13	Chain Guide	1			300
200	20B-35001-01	Pin Cp, rocker	1			300
210	003-13060-00	Clip	1			300
220	20B-36101-00	Rocker Arm Ay, intake	1			300
225	20B-36102-10	Rocker Arm Ay, exhaust	1			300
230	014-90500-20	Adjust Screw	1			300
231	014-90500-20	Adjust Screw	1			300
240	017-00500-30	Nut	1			300
241	017-00500-30	Nut	1			300
290	011-00600-20	Flange Bolt	1			300
310	20B-30101-J2	Muffler	1			300
315	20B-37001-11	Deflector Cp	1			300
317	015-00400-60	Tapping screw	3			300
320	20B-34201-11	Muffler Cover Cp	1			300
340	20B-35201-03	Gasket, muffler	1			300
350	980-20082-80	Flange Nut	2			300
361	011-00600-10	Flange Bolt	5			300
365	011-00803-20	Flange Bolt	1			300

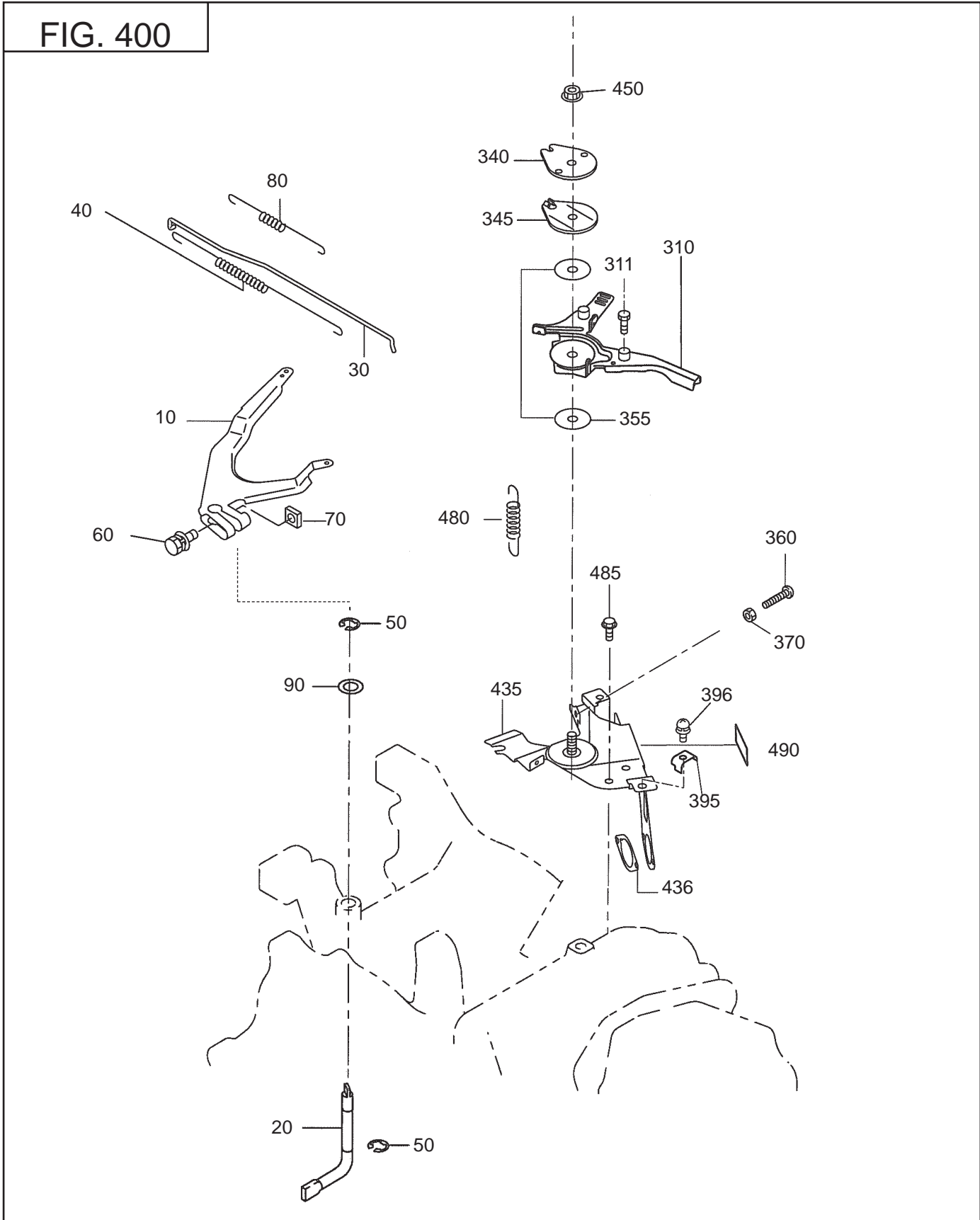
SECTION 3 INTAKE and EXHAUST GROUP

FIG. 310



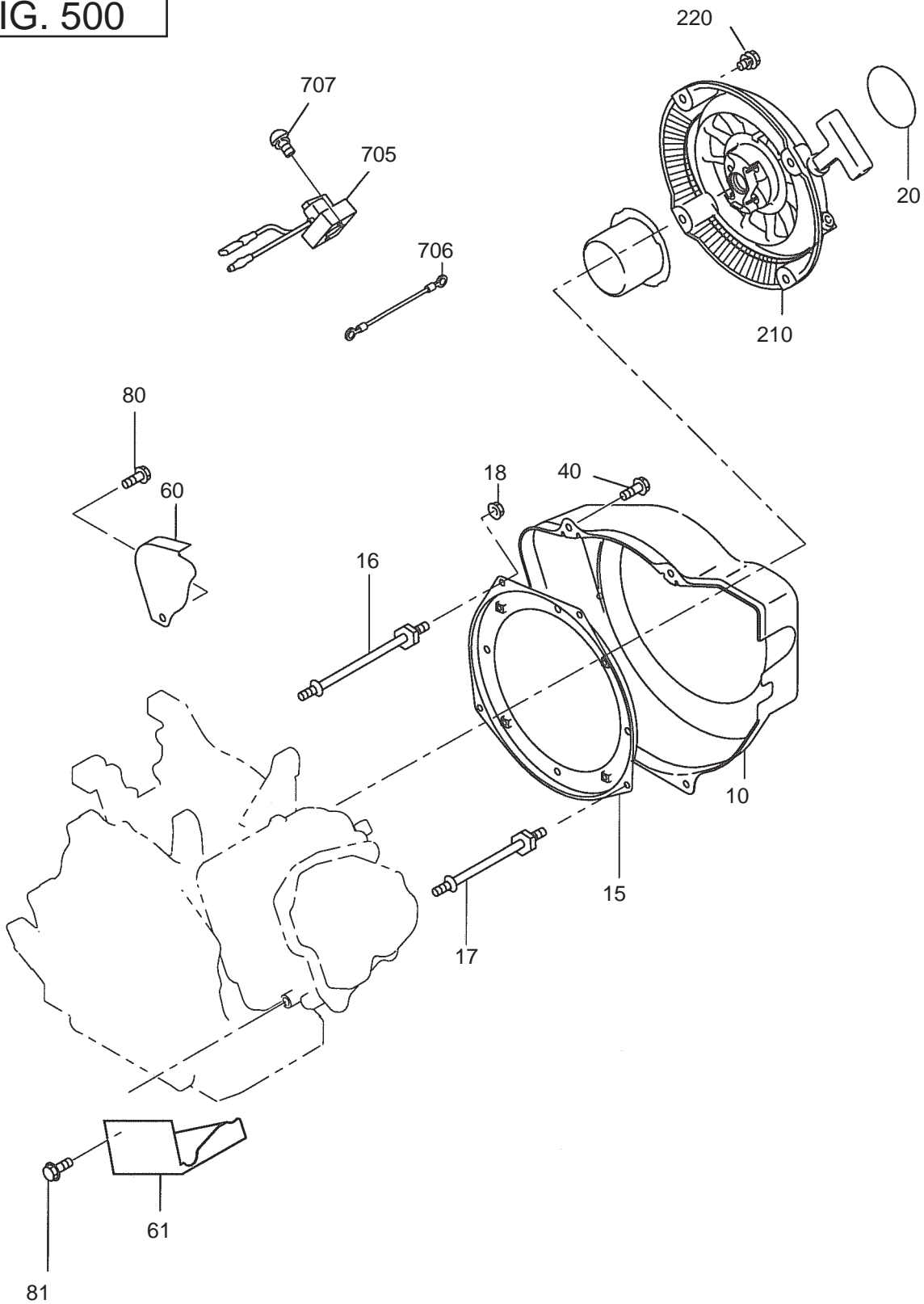
SECTION 4 GOVERNOR GROUP

FIG. 400



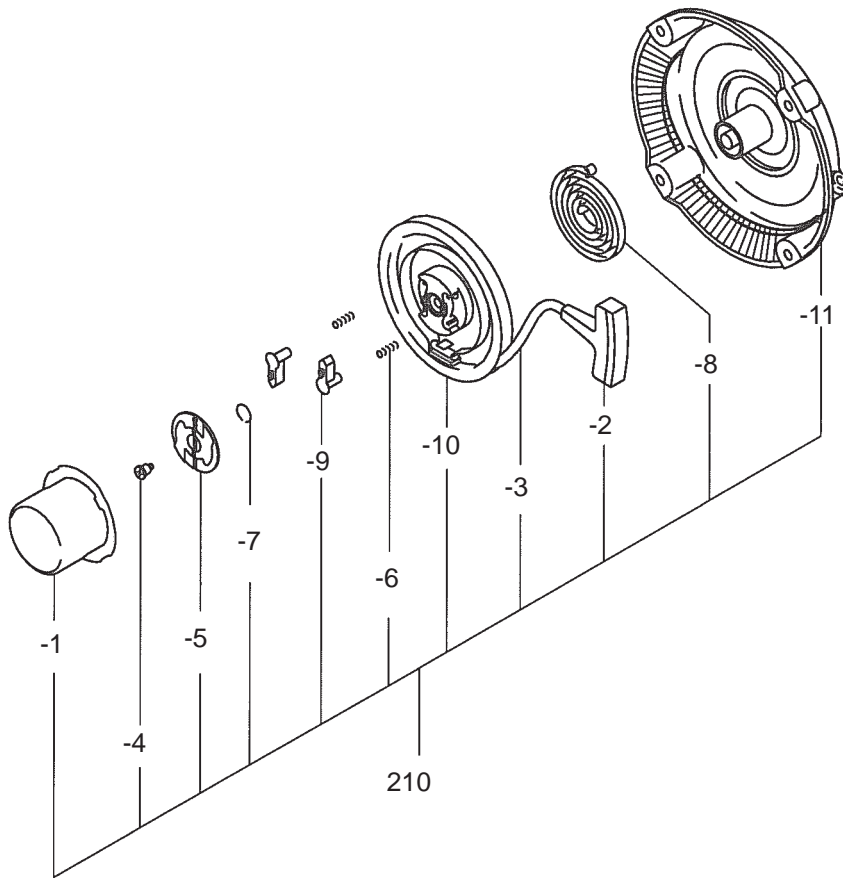
SECTION 5 COOLING and STARTING GROUP

FIG. 500



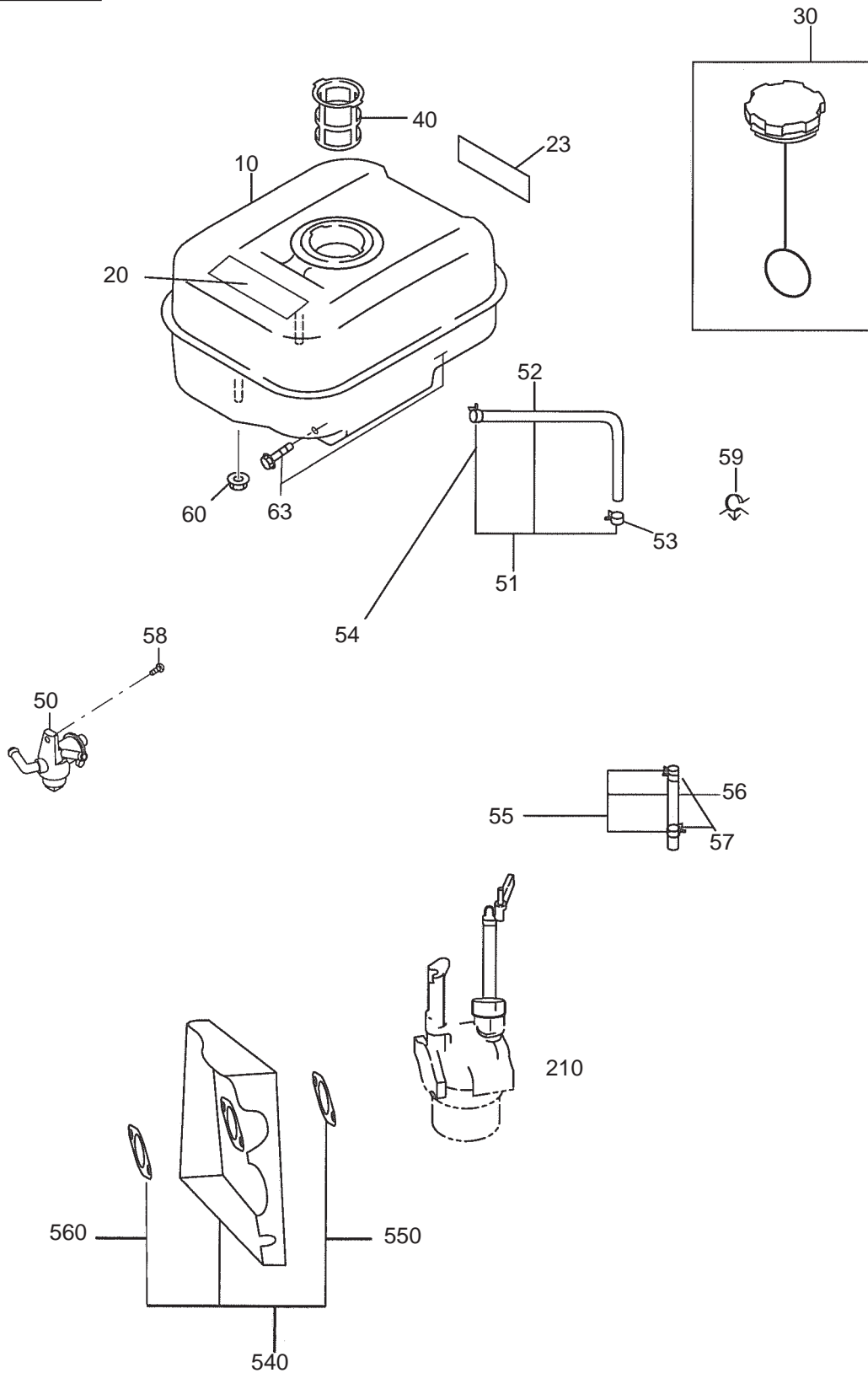
SECTION 5 COOLING and STARTING GROUP

FIG. 520



SECTION 6 FUEL, LUBRICATION GROUP

FIG. 600

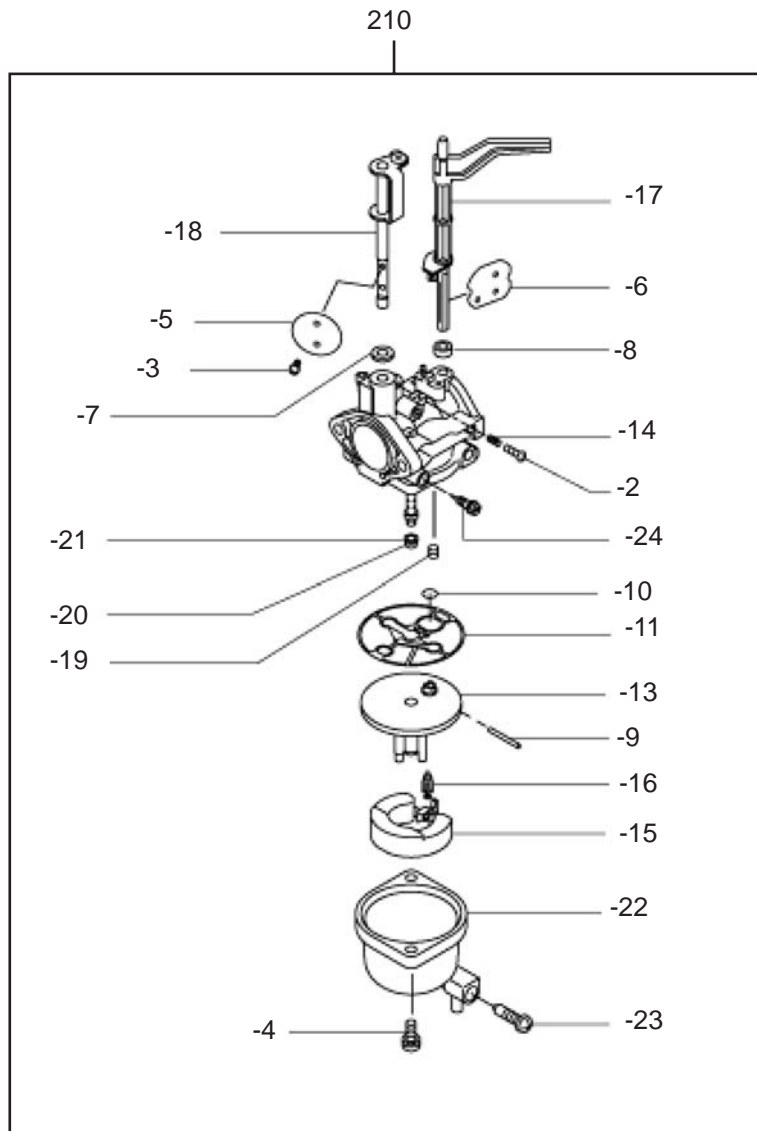


SECTION 6 FUEL, LUBRICATION GROUP

Ref.	Part Number	Description	Qty	Remarks	To-From	Fig.
10	20B-60102-01	Fuel Tank Cp	1			600
20	073-20049-80	Label, caution	1			600
23	20E-95101-03	Label, model	1	EX35		600
30	X43-04401-42	Fuel Tank Cap Cp	1			600
40	X64-13600-10	Fuel Filter	1			600
50	X64-20122-00	Fuel Strainer Ay	1			600
51	267-62604-11	Fuel Pipe Cp	1			600
52	X85-10614-91	Rubber Pipe	1			600
53	X56-11100-60	Hose Clamp	1			600
54	056-11200-40	Hose Clamp	1			600
55	20B-62601-01	Fuel Pipe Cp	1			600
56	085-10620-90	Rubber Pipe	1			600
57	056-11000-30	Hose Clamp	2			600
58	011-00600-20	Flange Bolt	1			600
59	056-81200-10	Clamp	1			600
60	002-38080-00	Flange Nut	2			600
63	011-00802-50	Flange Bolt	2			600
540	20B-32901-J1	Insulator Cp	1			600
550	20B-35901-H3	Gasket 1, insulator	1			600
560	20B-35902-H3	Gasket 2, insulator	1			600

SECTION 6 FUEL, LUBRICATION GROUP

FIG. 610



SECTION 7 ELECTRIC DEVICE GROUP

FIG. 700

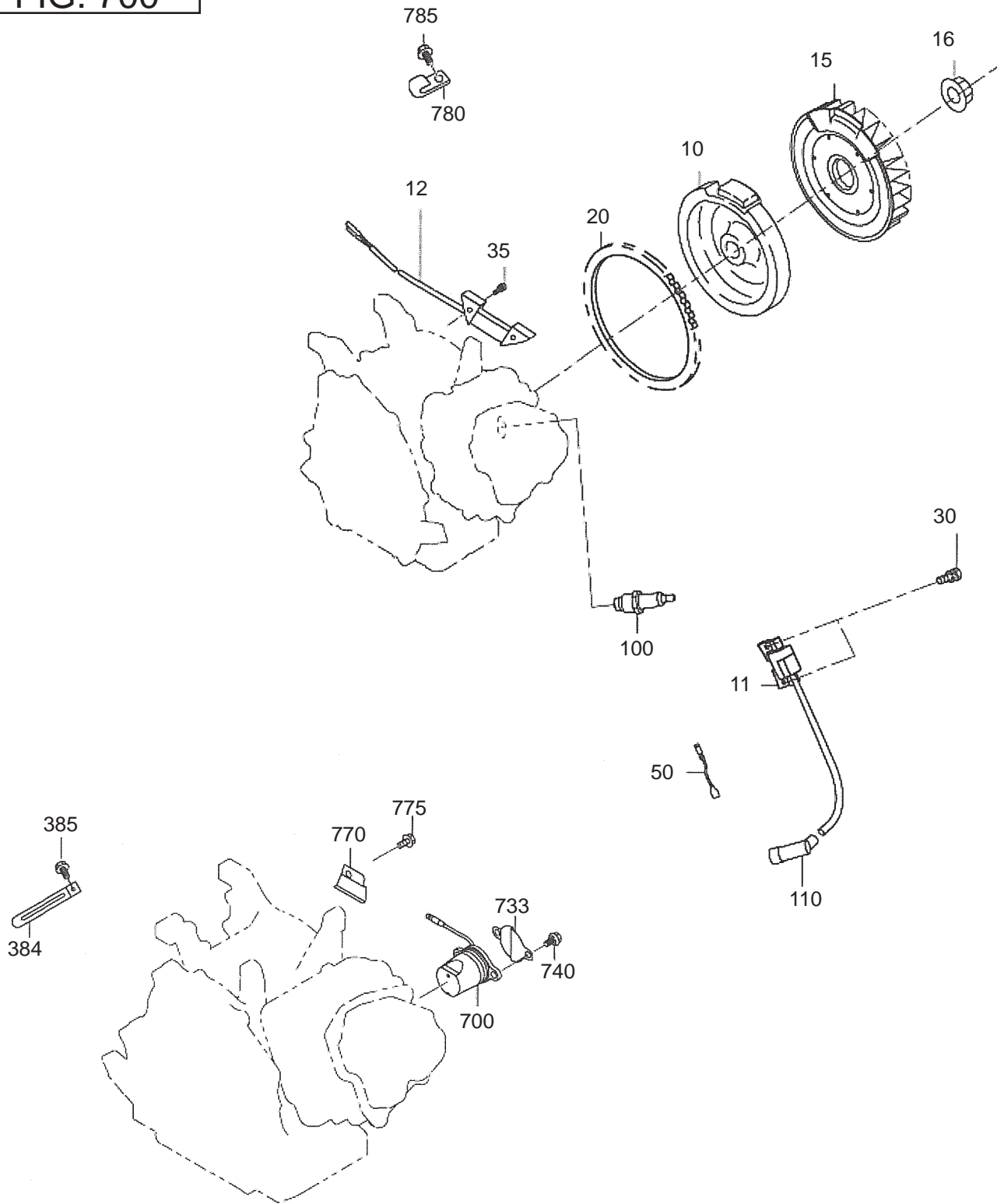
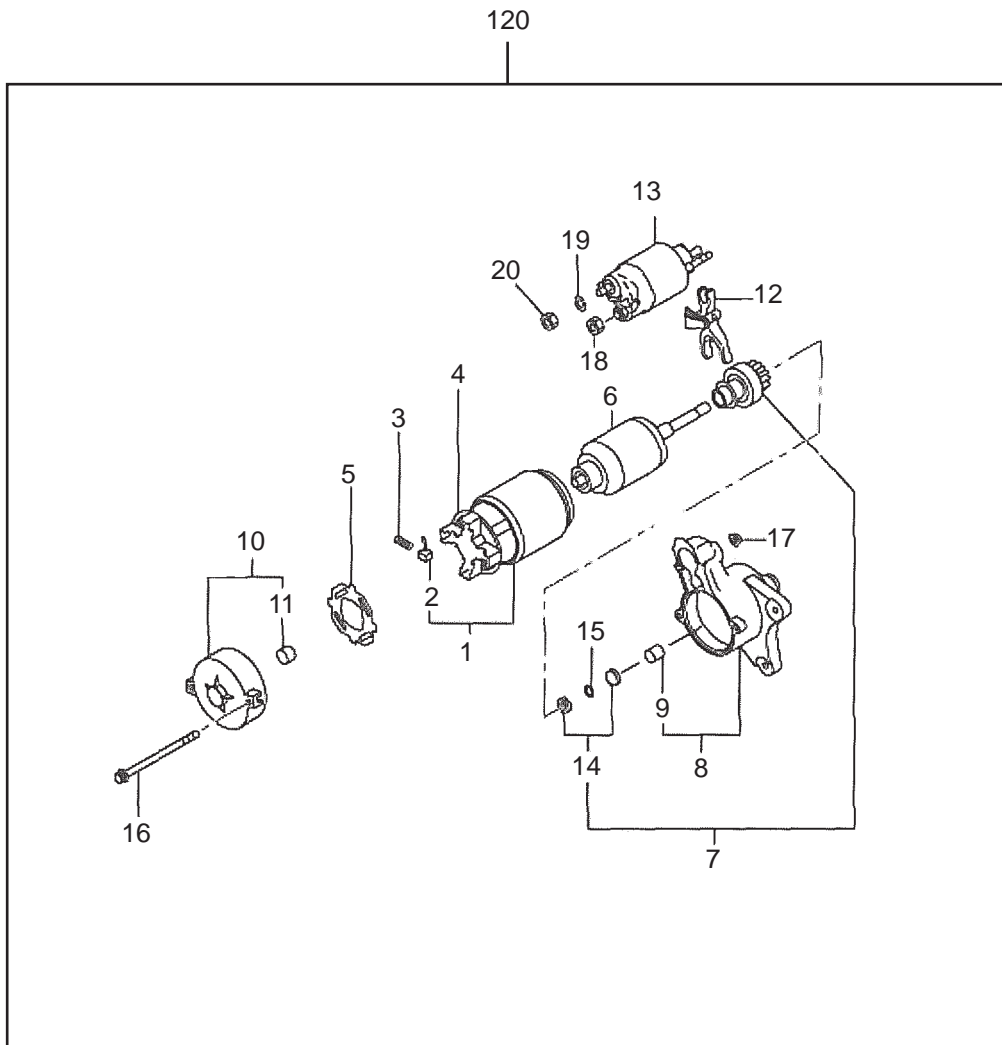


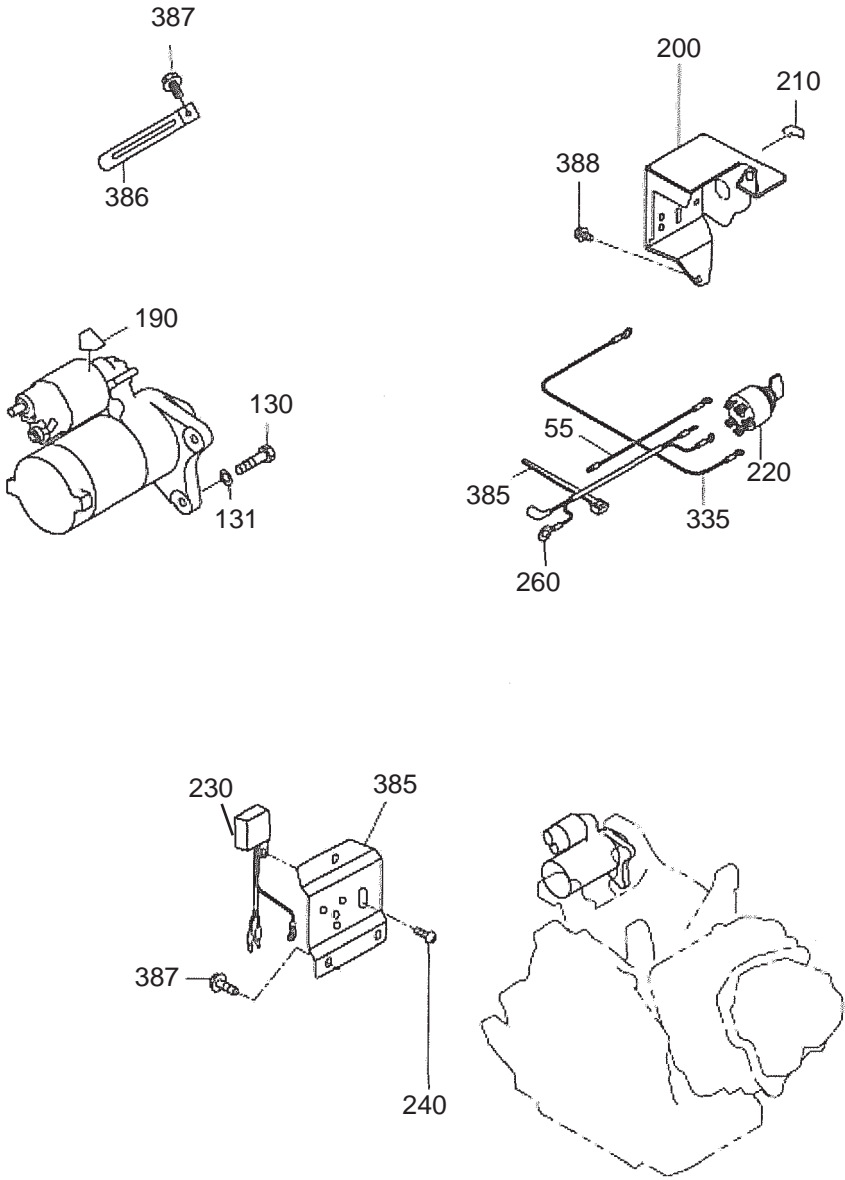
FIG. 710



SECTION 7 ELECTRIC DEVICE GROUP - ELECTRIC STARTER

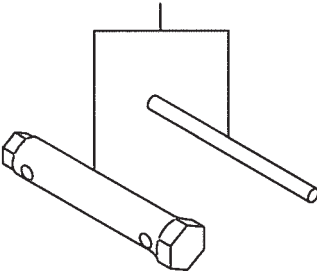
Ref.	Part Number	Description	Qty	Remarks	To-From	Fig.
120	279-70502-00	Starting Motor Ay	1			710
-1	209-70550-08	Yoke Cp	1			710
-2	209-70551-08	Brush	4			710
-3	209-70545-08	Brush Spring	4			710
-4	209-70530-08	Brush Holder	1			710
-5	209-70552-08	Insulator	1			710
-6	209-70554-08	Armature Ay	1			710
-7	209-70521-08	Overrunning Clutch	1			710
-8	279-70550-08	Housing Cp	1			710
-9	209-70511-08	Bush	1			710
-10	209-70505-18	Frame Cp	1			710
-11	209-70510-08	Bush	1			710
-12	209-70525-08	Lever	1			710
-13	279-70515-18	Magnet Switch Cp	1			710
-14	234-70555-08	Pinion Stopper	1			710
-15	209-70557-18	Snap Ring	1			710
-16	209-70558-08	Through Bolt	2			710
-17	949-29970-02	Nut	2			710
-18	209-70560-08	Nut	1			710
-19	107-70652-08	Spring Washer	1			710
-20	211-70584-08	Nut	1			710

FIG. 720



SECTION 9 ACCESSORY GROUP

FIG. 900



PRINTED IN THE USA