



SUBARU

Industrial Power Products

PARTS MANUAL

Model

PKX310 / PKX320

PUMP

PUB-EP
Rev. 0812

Robin America, Inc.

905 Telser Road • Lake Zurich, IL 60047 • Phone: 847-540-7300 • Fax: 847-438-5012
e-mail: sales@subarupower.com • www.subarupower.com

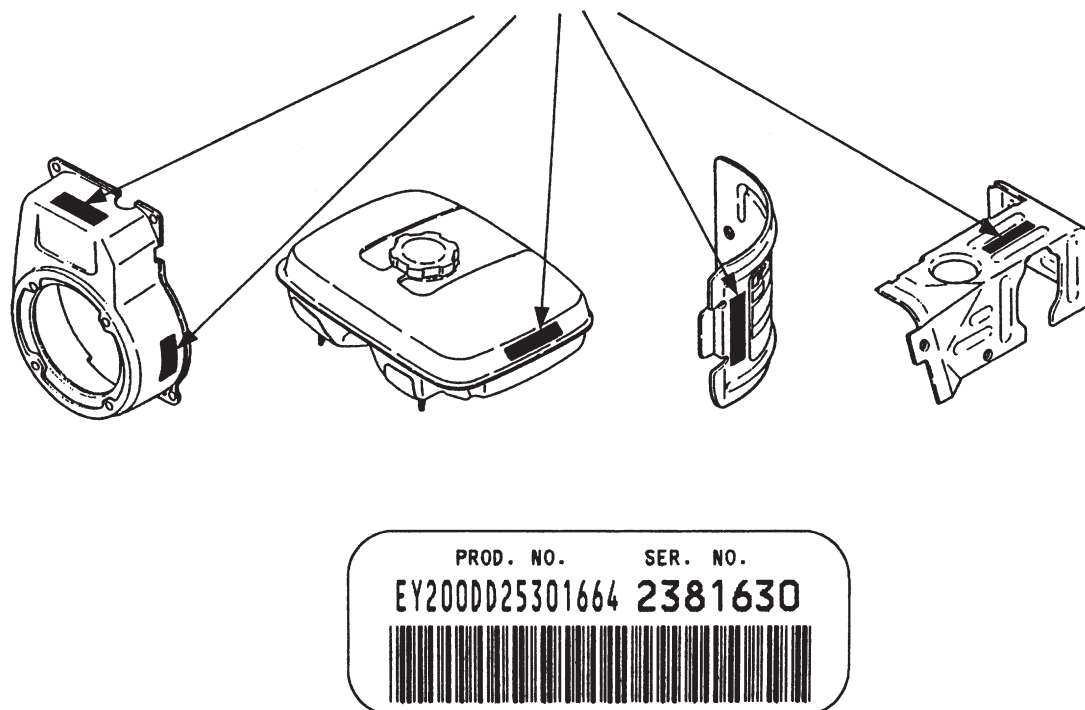
© Copyright 2012 Robin America, Inc.

HOW TO USE THIS MANUAL

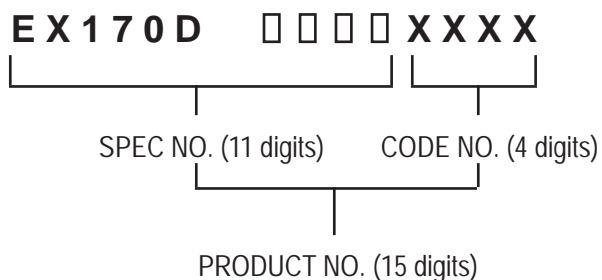
Robin engines are identified by MODEL, SPECIFICATION, and CODE NUMBER. For each model there may be many different versions called specifications. Each specification will be unique in some way. The difference may only be the paint color or it may have a different type of PTO or some other significant difference.

In order to identify the correct service part number, it is important to confirm the specification and code numbers for your engine. The specification and code number together are known as the PRODUCT NUMBER.

All Robin 4 cycle engines have a Product Number label similar to the label illustrated below.



The Product Number Label has a 15 digit alphanumeric string that consists of the SPECIFICATION (SPEC) number (11 digits) and the CODE number (4 digits). Please note the illustration below:



MANUAL LAYOUT

1— SECTION 6 FUEL GROUP

2— FIG. 600

1— SECTION 6 FUEL GROUP

REF.	PART NO.	DESCRIPTION	QTY.	REMARKS	FROM-TO	FIG.
10	267-60103-01	FUEL TANK CP	1	YD, YS TYPE, BLACK		600
	267-60101-01	FUEL TANK CP	1	YELLOW		600
27	073-20039-00	LABEL, WARNING	1	YD, YS TYPE		600
30	043-04300-15	FUEL TANK CAP CP	1			600
31	267-95201-03	LABEL, EMISSION	1	YD, YS TYPE		600
40	064-13600-10	FUEL FILTER	1			600
4	50	064-20021-01	FUEL STRAINER AY	1		600
	-1	064-20002-20	FILTER	1		600
	-2	064-20002-30	GASKET	1		600
	-3	064-20019-10	CUP	1		600

1. SECTION NAME Parts are broadly classified according to their functions. Refer to the Group Index (table of contents) for respective section name.
2. FIG. No. The FIG. number indexes the reference and part number to the illustration. Figure numbers that vary only in the tens place (i.e.: 700 and 710) are in a group of the same section (i.e.: Electrical Device Group).
3. REF. No. The Reference number identifies the part illustration with the corresponding part number in the part list.
4. SUBASSEMBLY SUBASSEMBLY parts of part assembly are listed below the assembly part. The subassembly part reference number is indicated by the number led by "-" such as "-1", "-2".
5. PART NUMBER It is the number assigned for sales unit. Use the PART No. when making an order.
6. DESCRIPTION It is designation of the part.
7. QTY. Quantity of each part used for each product.
8. REMARKS This gives a distinctive feature and/or a supplementary comment for the type, the specification, and the part concerned. It also shows part number(s) interchangeable for the part.
9. FROM-TO This section shows the CODE No. to indicate the history of progress in which improved parts have been introduced in the product. The FROM-TO CODE No. helps to identify PART No. being employed in the product concerned. See the examples below:
 - The part is used in the product irrespective of CODE No.
 - 2101- The part is used in the products with CODE No. of 2101 and after this number.
 - 2100 The part is used in the products with CODE No. of 2100 and before this number.

GROUP INDEX

Group Name	Page
CRANKCASE GROUP	6
CRANKSHAFT GROUP	8
INTAKE and EXHAUST GROUP	10
GOVERNOR GROUP	18
COOLING and STARTING GROUP	22
FUEL, LUBRICANT GROUP	26
CARBURETOR GROUP	28
ELECTRIC DEVICE GROUP	32
ACCESSORY GROUP	38

INDEX OF DESCRIPTION SYMBOLS			
SYMBOL	DESCRIPTION	SYMBOL	DESCRIPTION
AY	ASSEMBLY	P=	PITCH (in mm)
CP	COMPLETE	P.T.O. (PTO)	POWER TAKE OFF
EX	EXPORT (from Japan)	REF.	REFERENCE
FIG	FIGURE	R.H. (RH)	RIGHT HAND SIDE
FR	FRONT	RR.	REAR
"	INCH	STD.	STANDARD
INCL.	INCLUDE	SW	SWITCH
~L	LITER	T=	THICKNESS (in mm)
L=	LENGTH (in. mm)	UN	UNIT
L.H. (LH)	LEFT-HAND SIDE	U.S.	UNDER SIZE
MECH	MECHANICAL	~V	VOLTAGE
NO (NON)	NONE	~W	WATT
OPT	OPTIONAL	W/	WITH
O.S.	OVER SIZE	W/O	WITHOUT

FIG. 1 CRANKCASE GROUP

FIG. 100

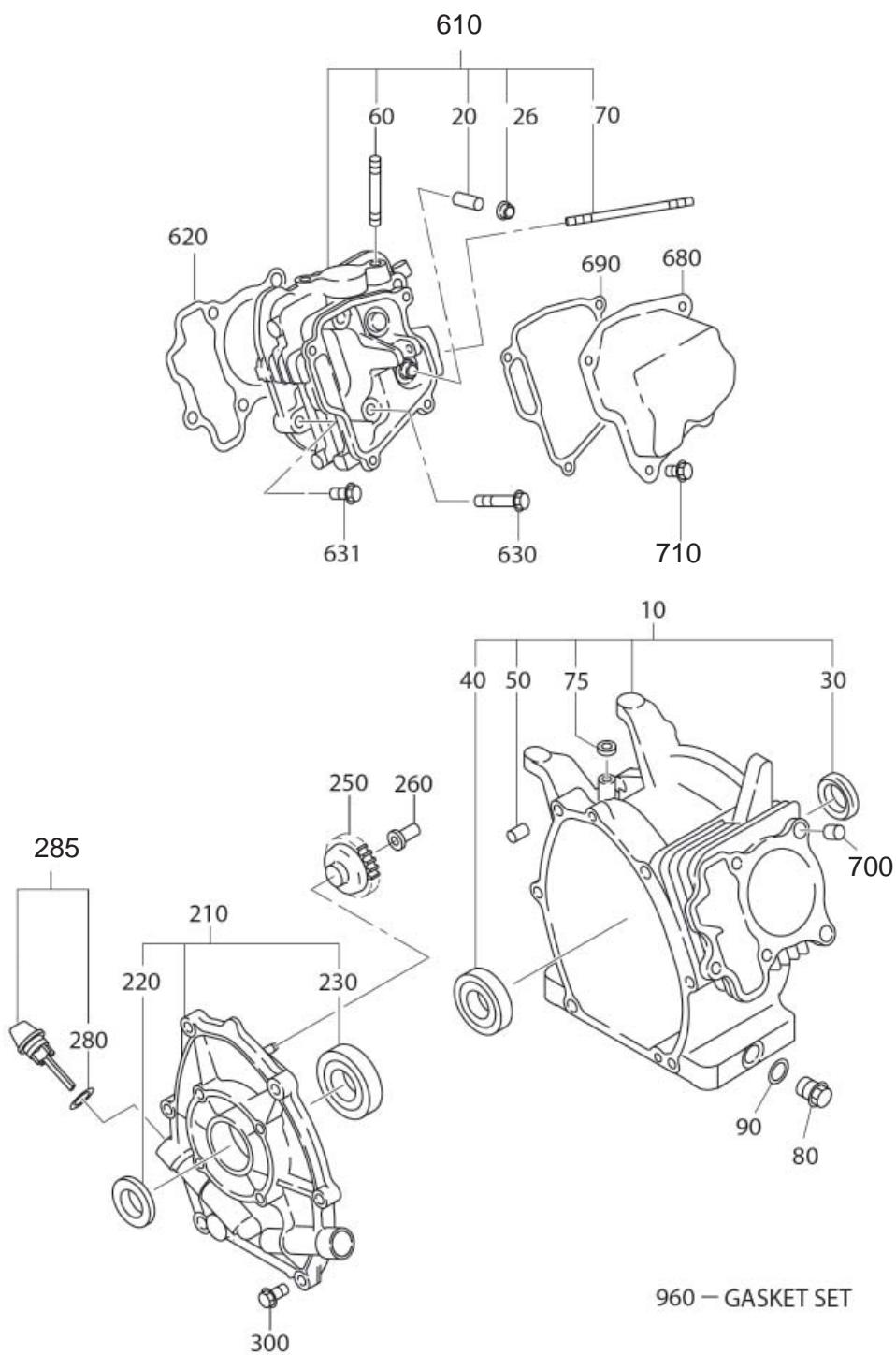


FIG. 2 CRANKSHAFT GROUP

FIG. 200

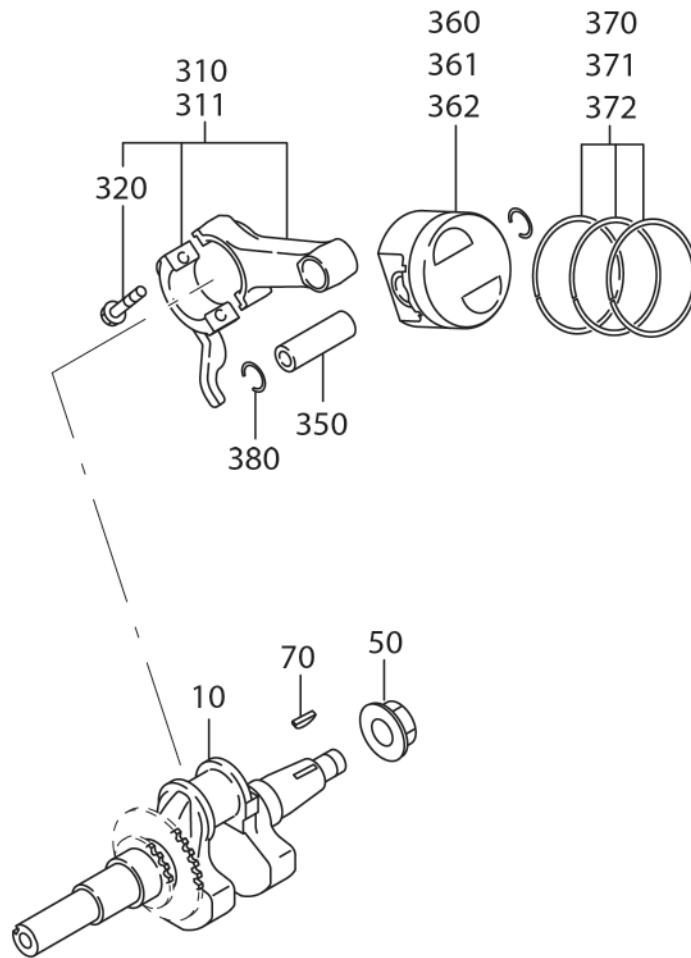


FIG. 3 INTAKE and EXHAUST GROUP

FIG. 300

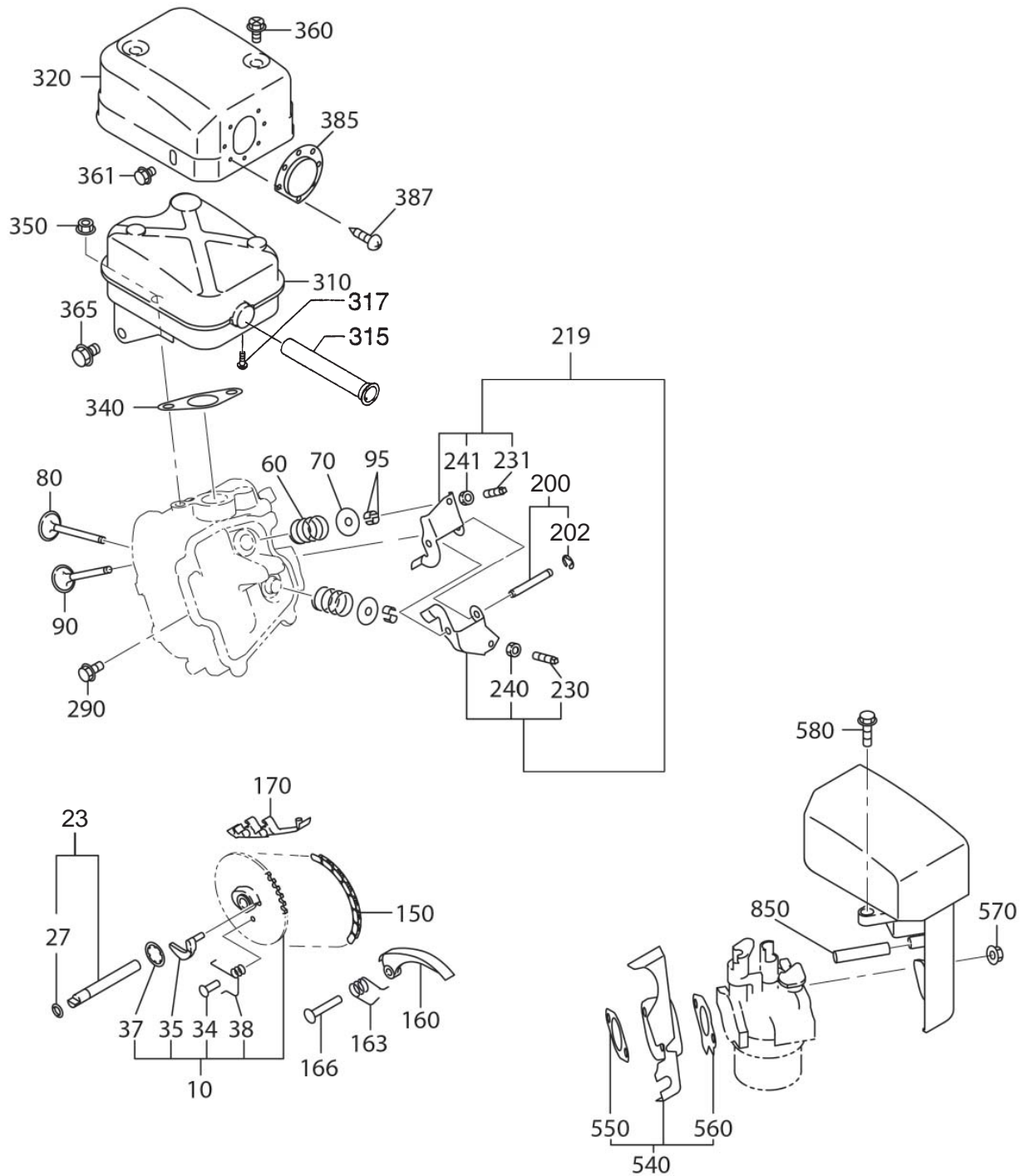


FIG. 3 INTAKE and EXHAUST GROUP

Ref.	Part Number	Description	Qty	Remarks	To-From	Fig.
10	277-31601-31	Camshaft Cp	1			300
23	277-35101-01	Pin Cp, camshaft	1			300
27	024-00600-10	O ring	1			300
34	277-38601-03	Pin, spring	1			300
35	277-36401-03	Release Lever	1			300
37	277-36501-03	Clip	1			300
38	277-38702-03	Return Spring	1			300
60	279-33601-03	Valve Spring	2			300
70	269-33701-03	Spring Retainer	2			300
80	277-33401-H3	Intake Valve	1			300
90	277-33501-H3	Exhaust Valve	1			300
95	132-10KA0-31	Ccollet Valve	4			300
150	277-35601-11	Timing Chain	1			300
160	277-36911-03	Tentioner	1			300
163	277-37101-03	Spring, tentioner	1			300
166	277-36902-03	Pin, tentioner	1			300
170	277-36913-13	Chain Guide	1			300
200	277-35002-01	Pin Cp, rocker	1			300
202	003-13050-00	Clip	1			300
219	277-36001-07	Rocker Arm Ay, set	1			300
230	014-90500-20	Adjust Screw	1			300
231	014-90500-20	Adjust Screw	1			300
240	017-00500-30	Nut	1			300
241	017-00500-30	Nut	1			300
290	011-00600-20	Flange Bolt	1			300
310	277-30111-J1	Muffler Cp	1			300
315	277-37601-01	Spark Arrester Cp	1			300
317	015-00400-60	Tapping Screw	1			300
320	277-34204-21	Muffler Cover Cp	1			300
340	277-35201-13	Gasket, Muffler	1			300
350	002-38080-00	Flange Nut	2			300
360	015-20600-90	Tapping Bolt	2			300
361	011-00600-10	Flange Bolt	1			300
365	011-00803-20	Flange Bolt	1			300
367	20A-02101-00	Washer	1			300
385	277-37203-H1	Screen Cp	1			300
387	015-00400-60	Tapping Screw	2			300
540	277-32902-J1	Insulator Cp	1			300
550	277-35902-J3	Gasket 2, insulator	1			300
560	277-35903-J3	Gasket 1, insulator	1			300
570	002-38060-00	Flange Nut	2			300
580	011-00600-50	Flange Bolt	1			300
850	277-32760-08	Breather Pipe	1			300

FIG. 3 INTAKE and EXHAUST GROUP

FIG. 315

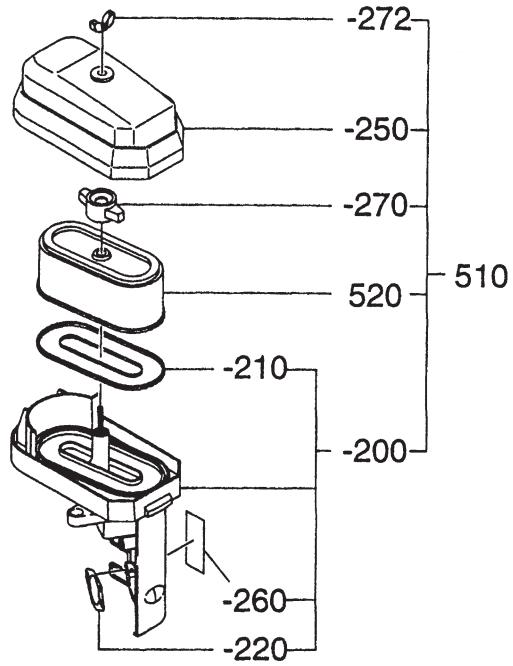


FIG. 4 GOVERNOR GROUP

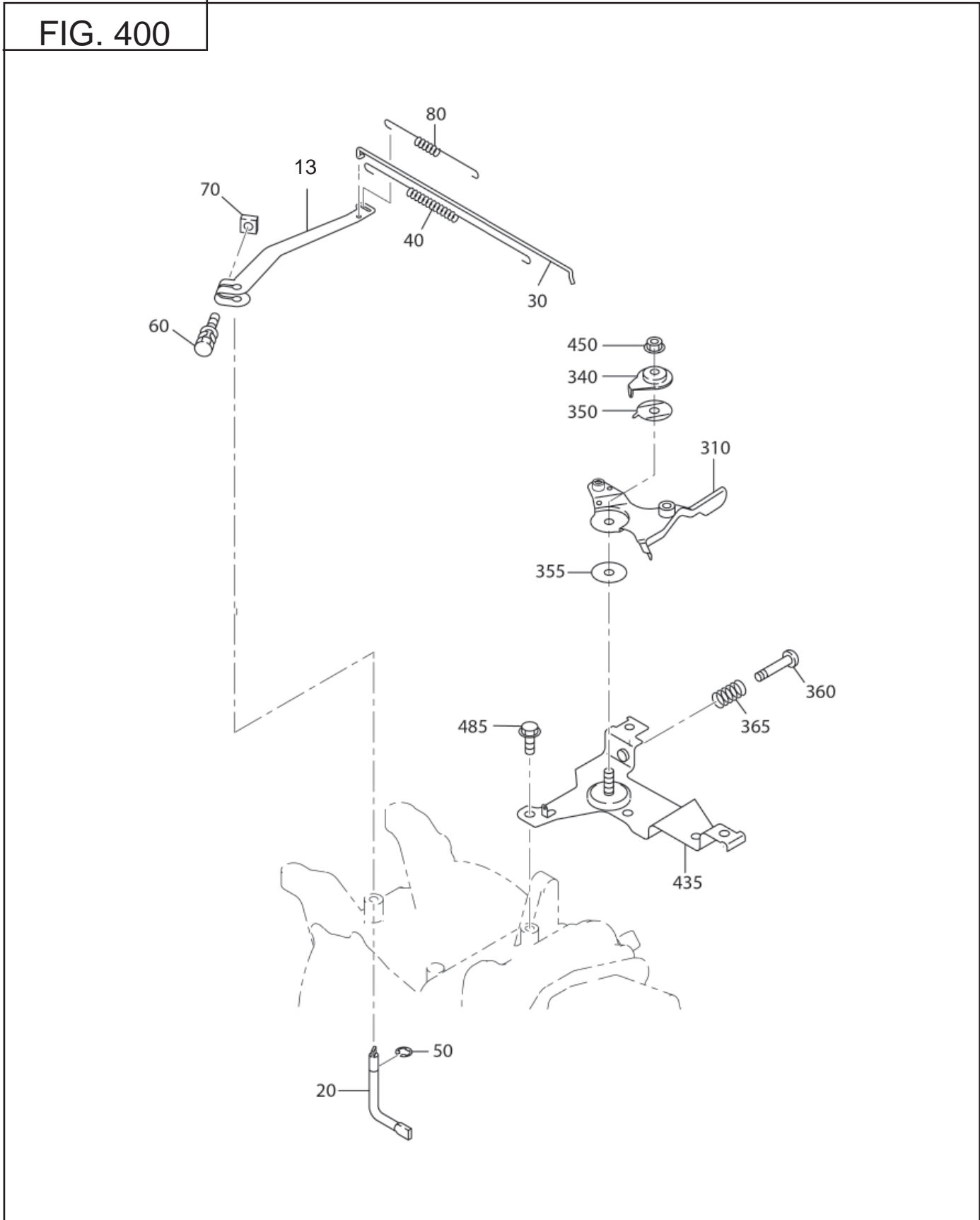


FIG. 5 COOLING and STARTING GROUP

FIG. 500

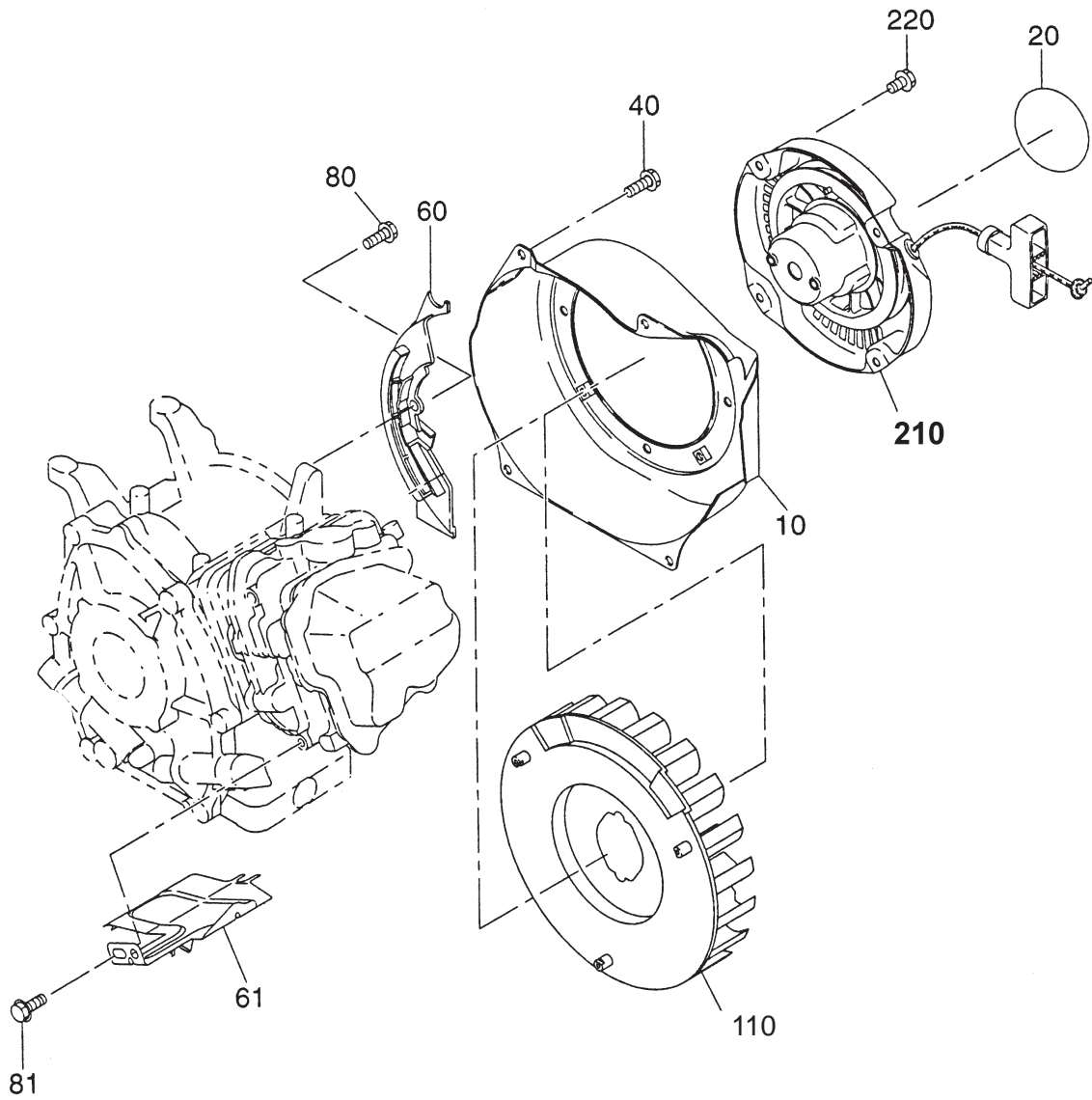


FIG. 5 COOLING and STARTING GROUP

FIG. 522

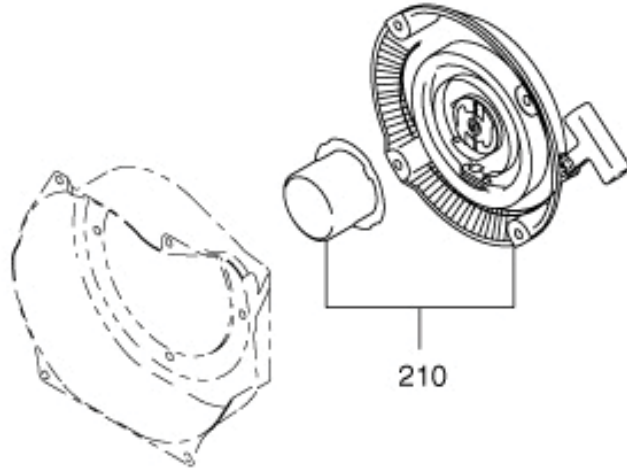


FIG. 6 FUEL LUBRICANT GROUP

FIG. 600

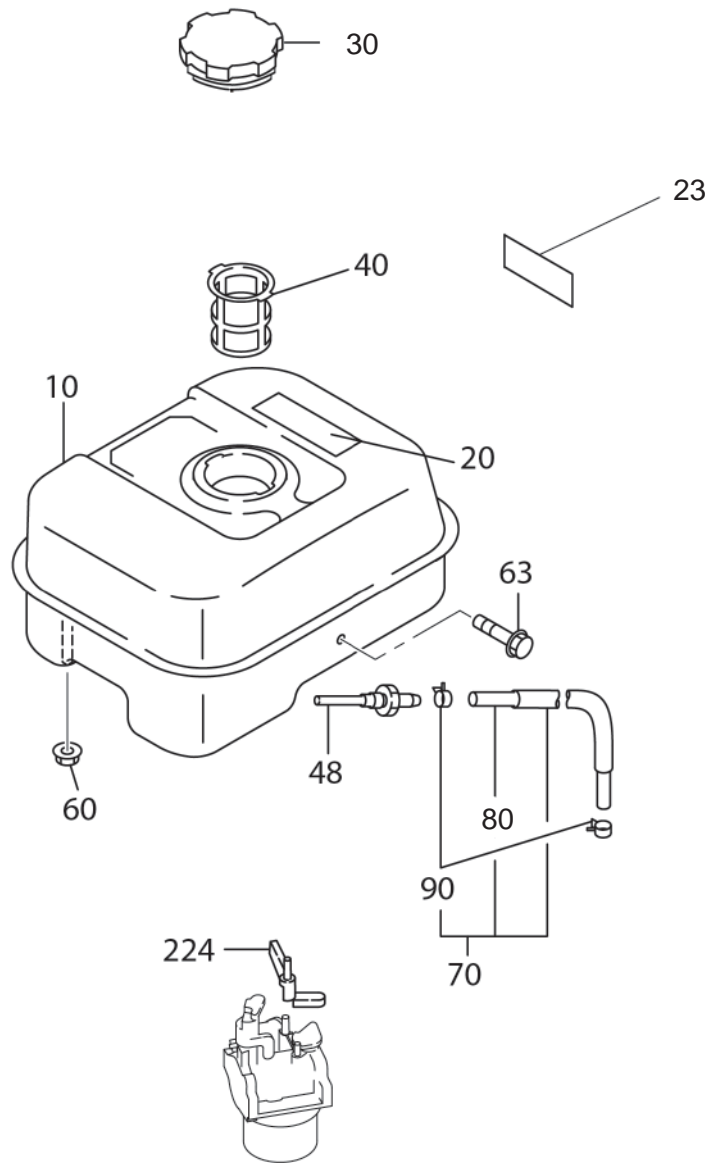


FIG. 6 FUEL LUBRICANT GROUP

FIG. 640

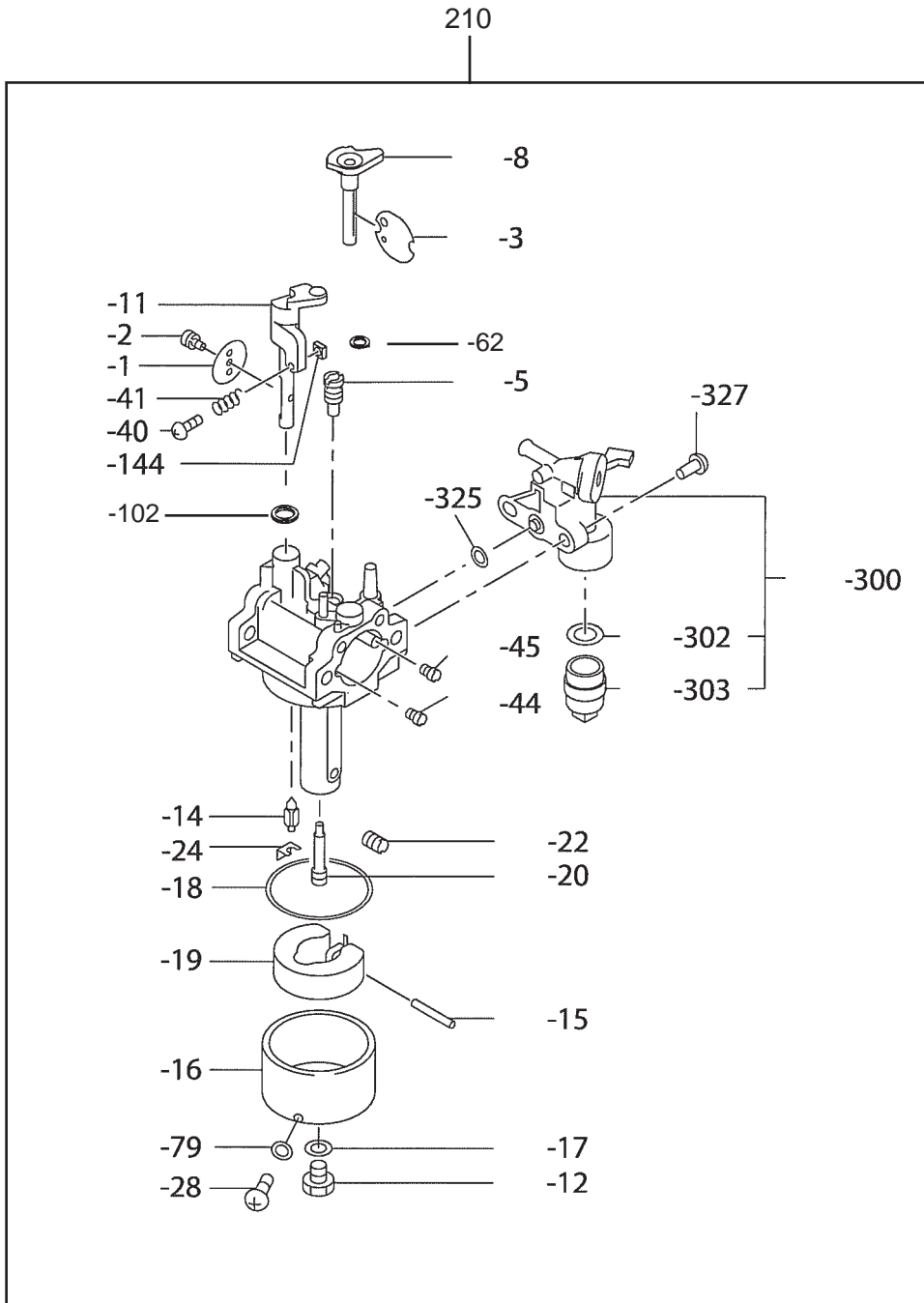


FIG. 7 ELECTRIC GROUP

FIG. 700

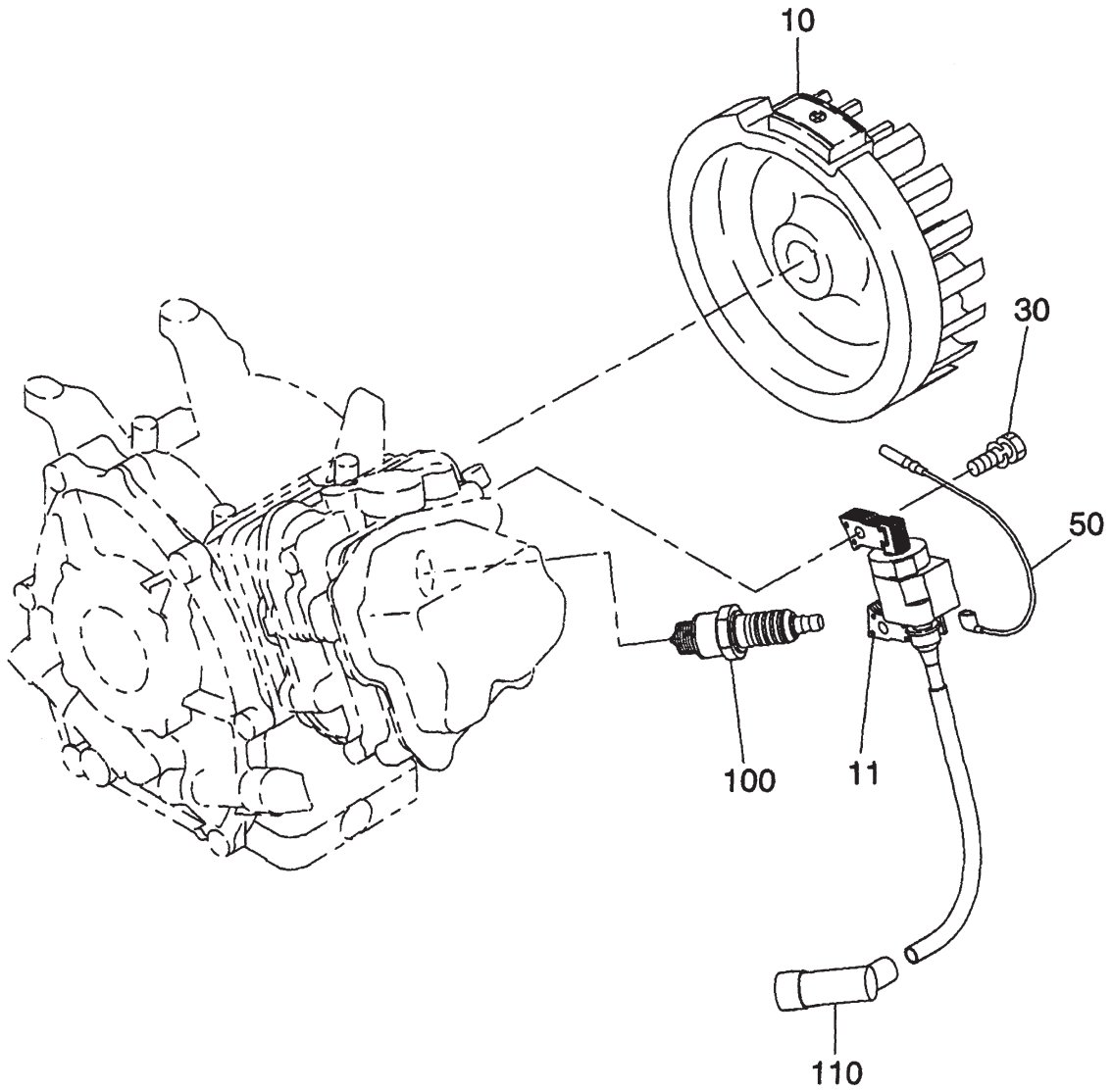


FIG. 7 ELECTRIC GROUP

FIG. 770

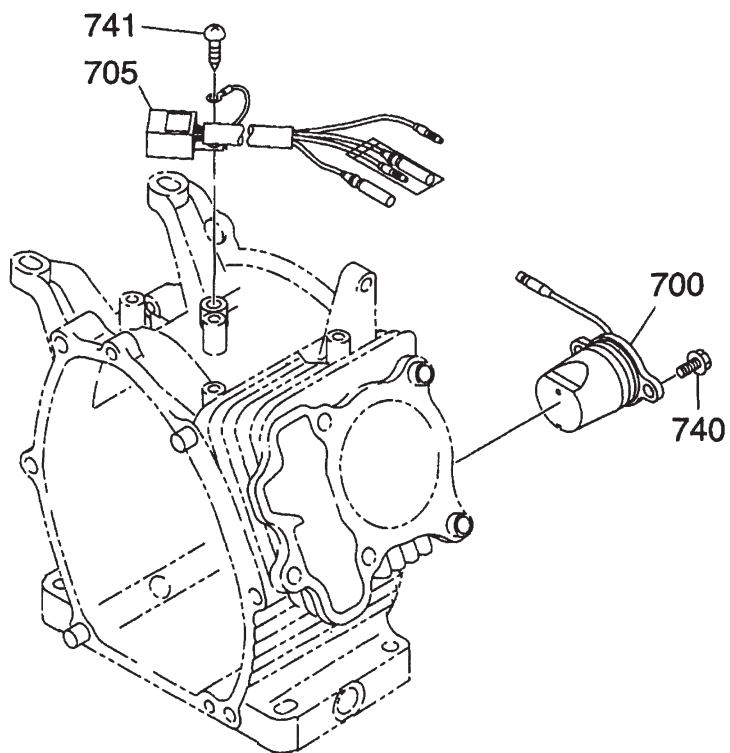
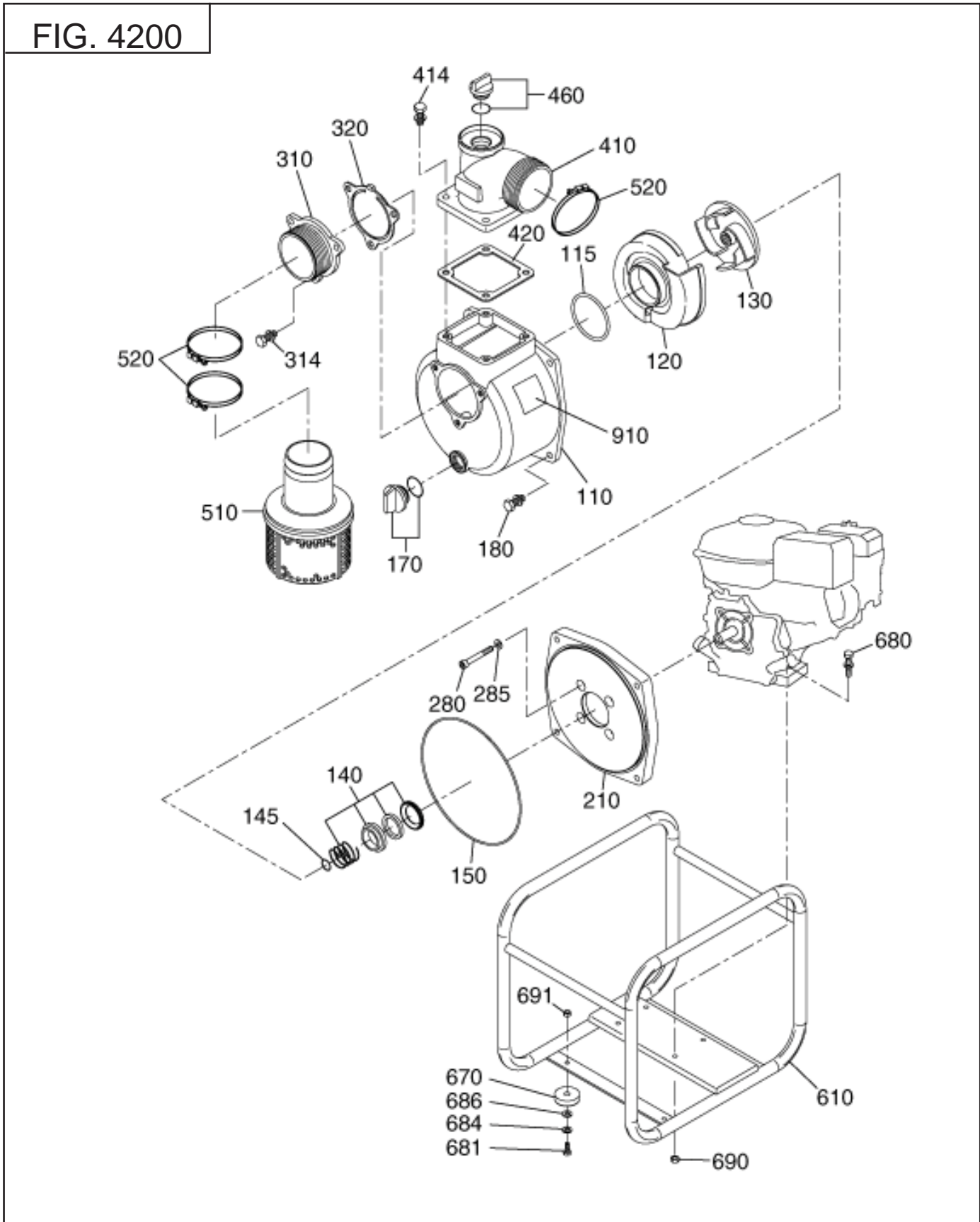


FIG. 42 PUMP GROUP



PRINTED IN THE USA

Robin America, Inc

905 Telsler Road • Lake Zurich, IL 60047
Phone: 847-540-7300 • Fax: 847-438-5012
e-mail: sales@subarupower.com • www.subarupower.com