

PARTS MANUAL

Models

SX17

ENGINES

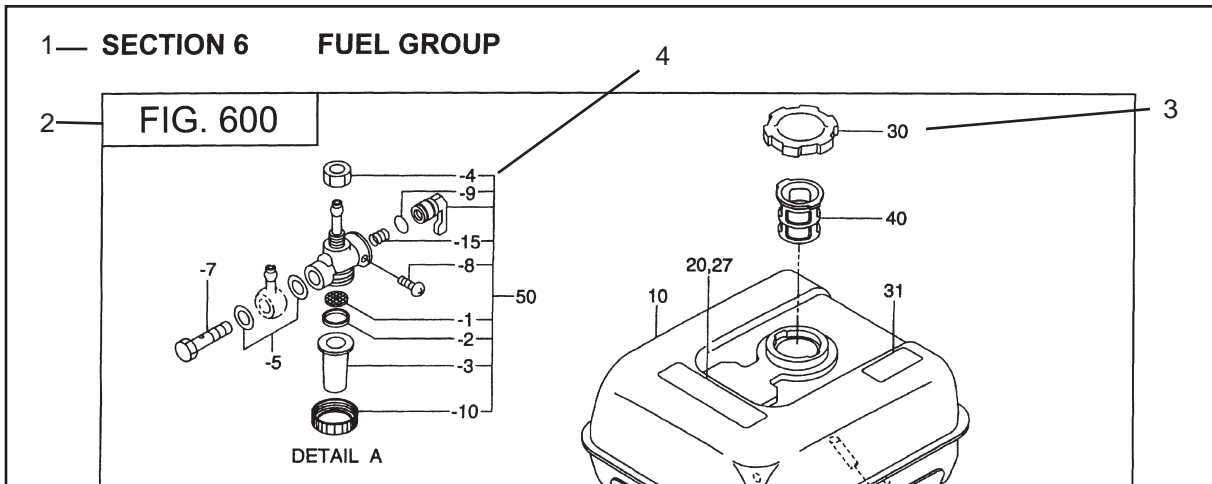
PUB-EP6692
Rev. 03/10

Robin America, Inc.

905 Telser Road, Lake Zurich, IL 60047 • Phone: 847-540-7300 • Fax:847-438-5012
e-mail: sales@robinamerica.com • www.subarupower.com

© Copyright 2010 Robin America, Inc.

MANUAL LAYOUT



REF.	PART NO.	DESCRIPTION	QTY.	REMARKS	FROM-TO	FIG.
10	267-60103-01	FUEL TANK CP	1	YD, YS TYPE, BLACK		600
	267-60101-01	FUEL TANK CP	1	YELLOW		600
27	073-20039-00	LABEL, WARNING	1	YD, YS TYPE		600
30	043-04300-15	FUEL TANK CAP CP	1			600
31	267-95201-03	LABEL, EMISSION	1	YD, YS TYPE		600
40	064-13600-10	FUEL FILTER	1			600
50	064-20021-01	FUEL STRAINER AY	1			600
-1	064-20002-20	FILTER	1			600
-2	064-20002-30	GASKET	1			600
-3	064-20019-10	CUP	1			600

1. SECTION NAME Parts are broadly classified according to their functions. Refer to the Group Index (table of contents) for respective section name.
2. FIG. No. The FIG. number indexes the reference and part numbers to the illustration. Figure numbers that vary only in the tens place (i.e.: 700 and 710) are in a group of the same section (i.e.:Electrical Device Group).
3. REF. No. The Reference number identifies the part illustration with the corresponding part number in the part list.
4. SUBASSEMBLY SUBASSEMBLY parts of part assembly are listed below the assembly part. The subassembly part reference number is indicated by the number led by "-" such as "-1", "-2".
5. PART NUMBER It is the number assigned for sales unit. Use the PART No. when making an order.
6. DESCRIPTION It is designation of the part.
7. QTY. Quantity of each part used for each product.
8. REMARKS This gives a distinctive feature and/or a supplementary comment for the type, the specification, and the part concerned. It also shows part number(s) interchangeable for the part.
9. FROM-TO This section shows the CODE No. to indicate the history of progress in which improved parts have been introduced in the product. The FROM-TO CODE No. helps to identify PART No. being employed in the product concerned. See the examples below:
 - The part is used in the product irrespective of CODE No.
 - 2101- The part is used in the products with CODE No. of 2101 and after this number.
 - 2100 The part is used in the products with CODE No. of 2100 and before this number.

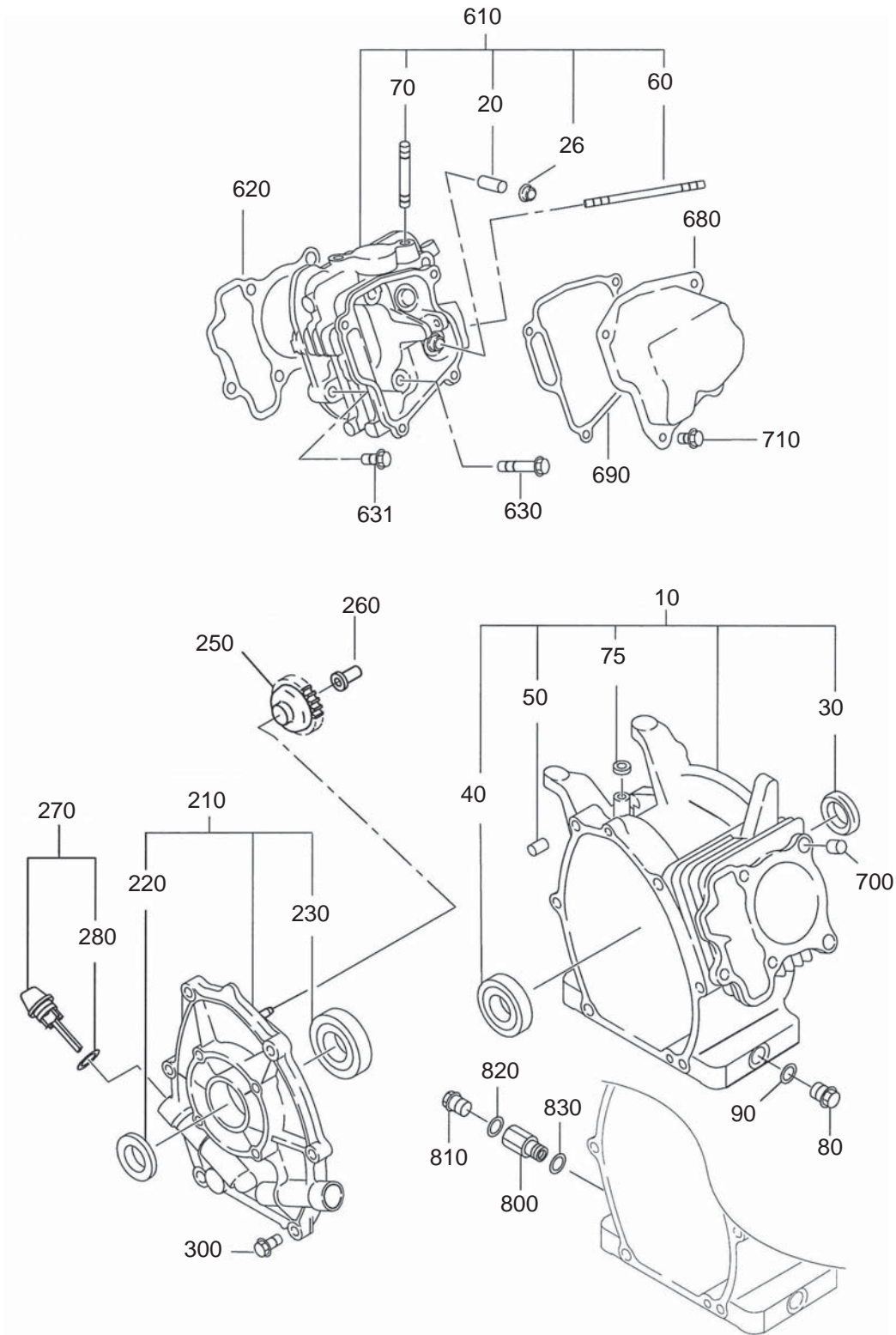
GROUP INDEX

Group Name	Page
CRANKCASE GROUP	6
CRANKSHAFT GROUP	8
INTAKE and EXHAUST GROUP	10
GOVERNOR GROUP	14
COOLING and STARTING GROUP	16
FUEL, LUBRICANT GROUP	18
ELECTRIC DEVICE GROUP	20
ACCESSORY GROUP	22

INDEX OF DESCRIPTION SYMBOLS			
SYMBOL	DESCRIPTION	SYMBOL	DESCRIPTION
AY	ASSEMBLY	P=	PITCH (in mm)
CP	COMPLETE	P.T.O. (PTO)	POWER TAKE OFF
EX	EXPORT (from Japan)	REF	REFERENCE
FIG	FIGURE	R.H. (RH)	RIGHT HAND SIDE
FR	FRONT	RR	REAR
"	INCH	STD.	STANDARD
INCL.	INCLUDE	SW	SWITCH
-L	LITER	T=	THICKNESS (in mm)
L=	LENGTH (in. mm)	UN	UNIT
L.H. (LH)	LEFT-HAND SIDE	U.S.	UNDER SIZE
MECH	MECHANICAL	~V	VOLTAGE
NO (NON)	NONE	~W	WATT
OPT	OPTIONAL	W/	WITH
O.S.	OVER SIZE	W/O	WITHOUT

SECTION 1 CRANKCASE GROUP

FIG. 100

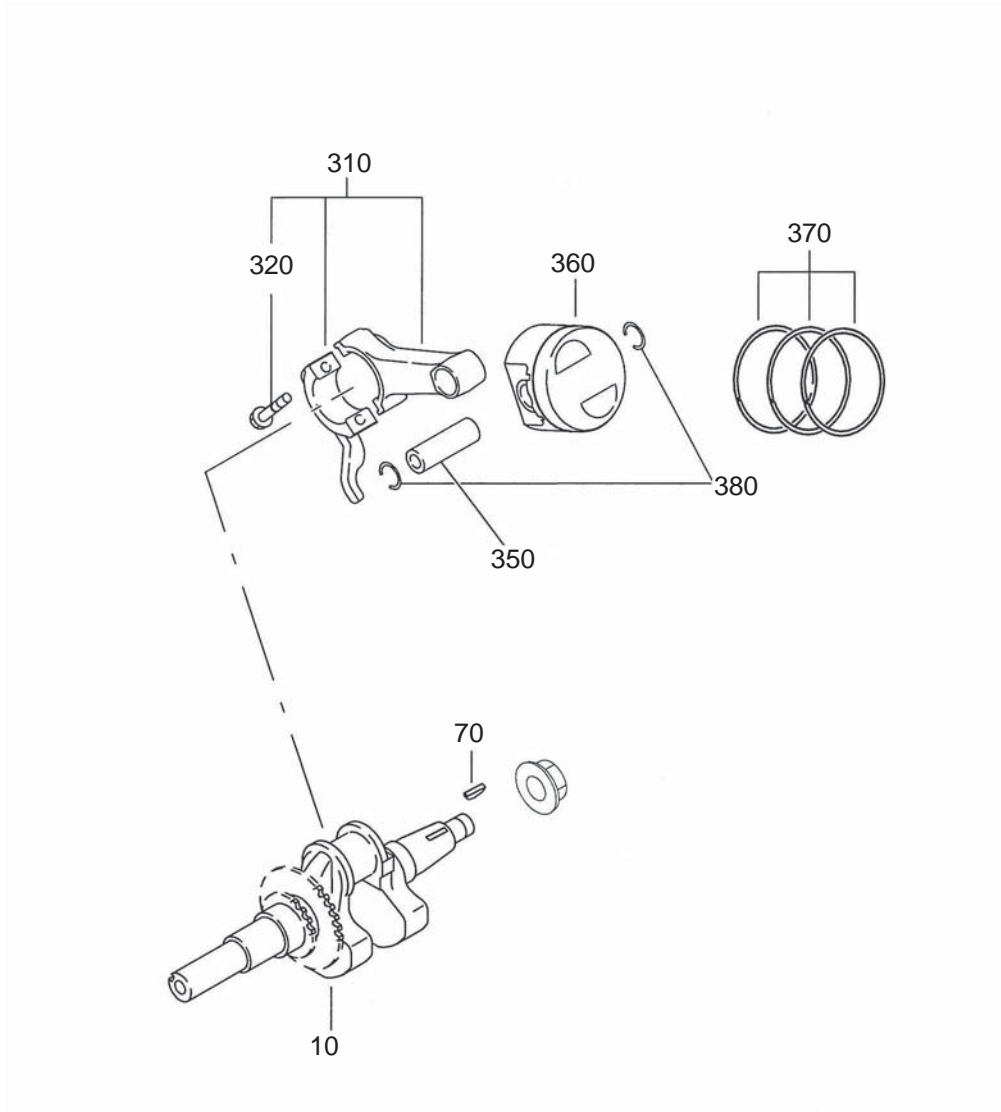


SECTION 1 CRANKCASE GROUP

Ref.	Part Number	Description	Qty	Remarks	To-From	Fig.
10	20A-10101-01	Crankcase Cp	1			100
20	237-14202-03	Valve Guide	2			100
26	277-16010-01	Stem Seal	1			100
30	044-02502-00	Oil Seal	1			100
40	060-02800-21	Ball Bearing	1			100
50	277-15011-03	Pipe Knock	2			100
60	010-50603-51	Stud	2			100
70	010-50802-50	Stud	2			100
75	044-00600-20	Oil Seal	1			100
80	040-11400-30	Plug	2			100
90	021-11400-20	Gasket	2			100
210	277-11002-21	Mainbearing Cover Cp	1			100
220	044-02502-10	Oil Seal	1			100
230	X60-02501-40	Ball Bearing	1			100
250	277-45004-J1	Governor Gear Cp	1			100
260	277-41901-03	Governor Sleeve	1			100
270	277-63601-30	Oil Gauge Ay	2			100
280	021-31600-20	Gasket	2			100
300	001-04083-50	Flange Bolt	6			100
610	277-13001-11	Cylinder Head Cp	1			100
620	277-15001-33	Gasket, head	1			100
630	011-00802-40	Flange Bolt	4			100
631	011-00600-20	Flange Bolt	1			100
680	277-15503-01	Rocker Cover Cp	1			100
690	277-16001-13	Gasket, rocker cover	1			100
700	277-15011-03	Pipe Knock	2			100
710	011-00600-20	Flange Bolt	4			100
800	050-21000-30	Union	1			100
810	040-11000-11	Plug	1			100
820	021-81000-10	Seal Washer	1			100
830	021-81400-10	Seal Washer	1			100
960	277-99001-47	Gasket Set	1			100

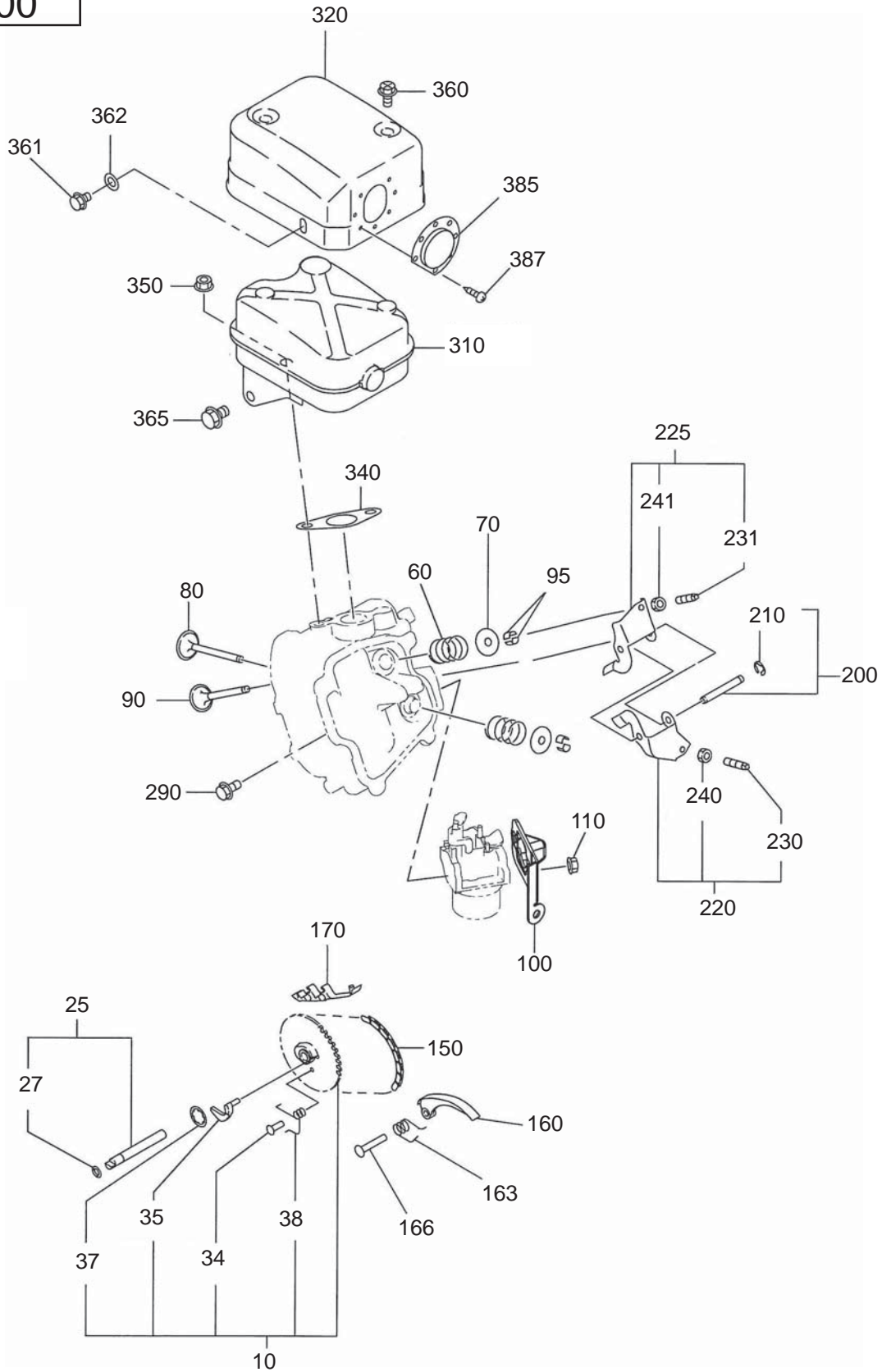
SECTION 2 CRANKSHAFT GROUP

FIG. 200



SECTION 3 INTAKE and EXHAUST GROUP

FIG. 300

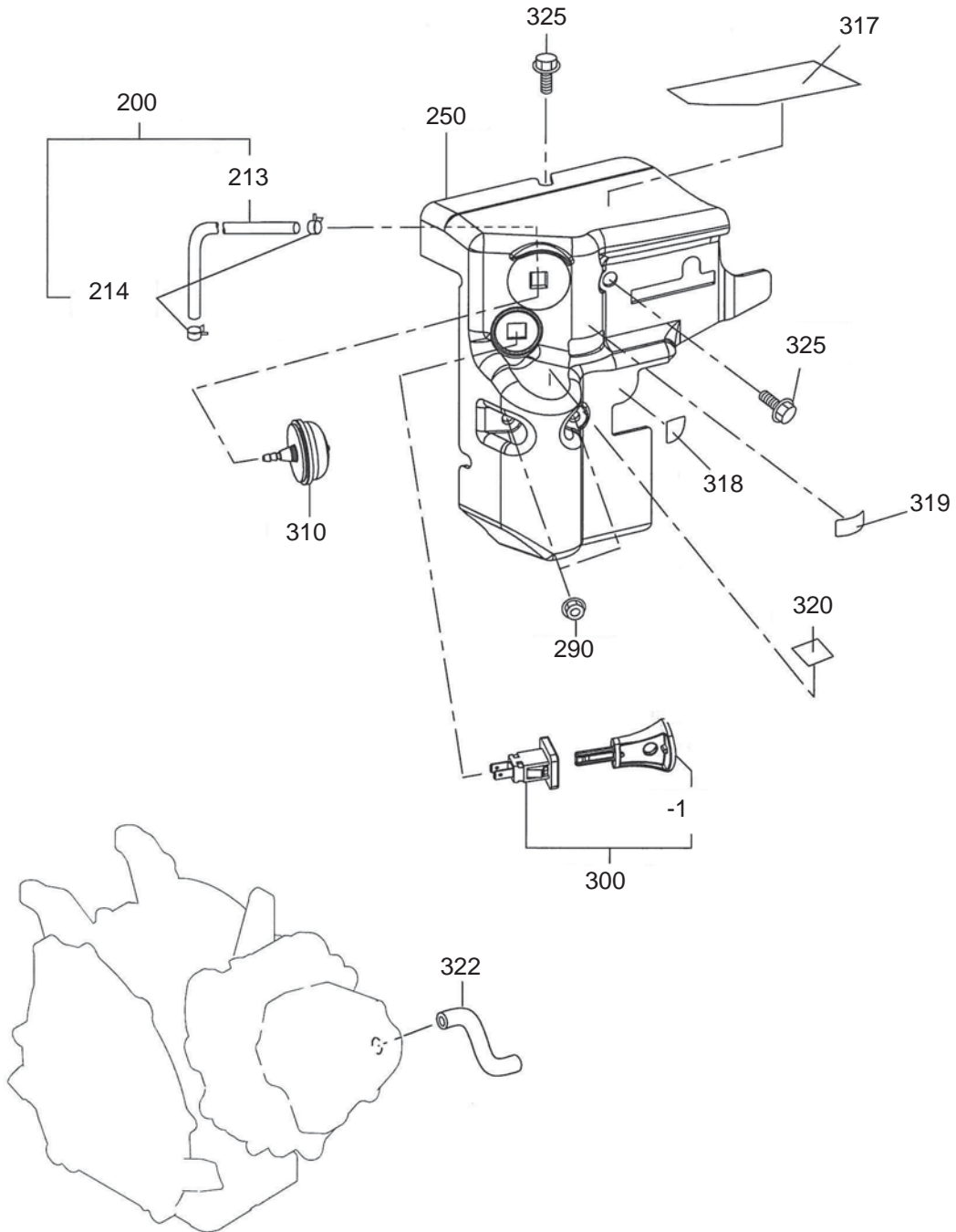


SECTION 3 INTAKE and EXHAUST GROUP

Ref.	Part Number	Description	Qty	Remarks	To-From	Fig.
10	277-31601-31	Camshaft Cp	1			300
25	277-35101-01	Pin Cp, camshaft	1			300
27	024-00600-10	O ring	1			300
34	277-38601-03	Pin, spring	1			300
35	277-36401-03	Release Lever	1			300
37	277-36501-03	Clip	1			300
38	277-38702-03	Return Spring	1			300
60	279-33601-03	Valve Spring	2			300
70	269-33701-03	Spring Retainer	2			300
80	277-33401-H3	Intake Valve	1			300
90	277-33501-H3	Exhaust Valve	1			300
95	132-10KA0-31	Collet Valve	4			300
100	20A-39301-01	Bracket Cp, snow	1			300
110	002-38060-00	Flange Nut	2			300
150	277-35601-11	Timing Chain Cp	1			300
160	277-36911-03	Tentioner	1			300
163	277-37101-03	Spring, tentioner	1			300
166	277-36902-03	Pin, terntioner	1			300
170	277-36913-13	Chain Guide	1			300
200	277-35004-01	Pin Cp, rocker	1			300
210	003-13050-00	Clip	1			300
220	277-36201-00	Rocker Arm Ay, intake	1			300
225	277-36202-00	Rocker Arm Ay, exhaust	1			300
230	014-90500-20	Adjust Screw	1			300
231	014-90500-20	Adjust Screw	1			300
240	017-00500-30	Nut	1			300
241	017-00500-30	Nut	1			300
290	011-00600-10	Flange Bolt	1			300
310	277-30101-J1	Muffler Cp	1			300
320	277-34210-03	Muffler Cover	1			300
340	277-35201-13	Gasket, muffler	1			300
350	002-38080-00	Flange Nut	2			300
360	015-20600-90	Tapping Bolt	2			300
361	011-00600-10	Flange Bolt	1			300
362	20A-02101-00	Washer	1			300
365	001-04082-00	Flange Bolt	1			300
385	277-37203-H1	Screen Cp	1			300
387	015-00400-60	Tapping Screw	2			300

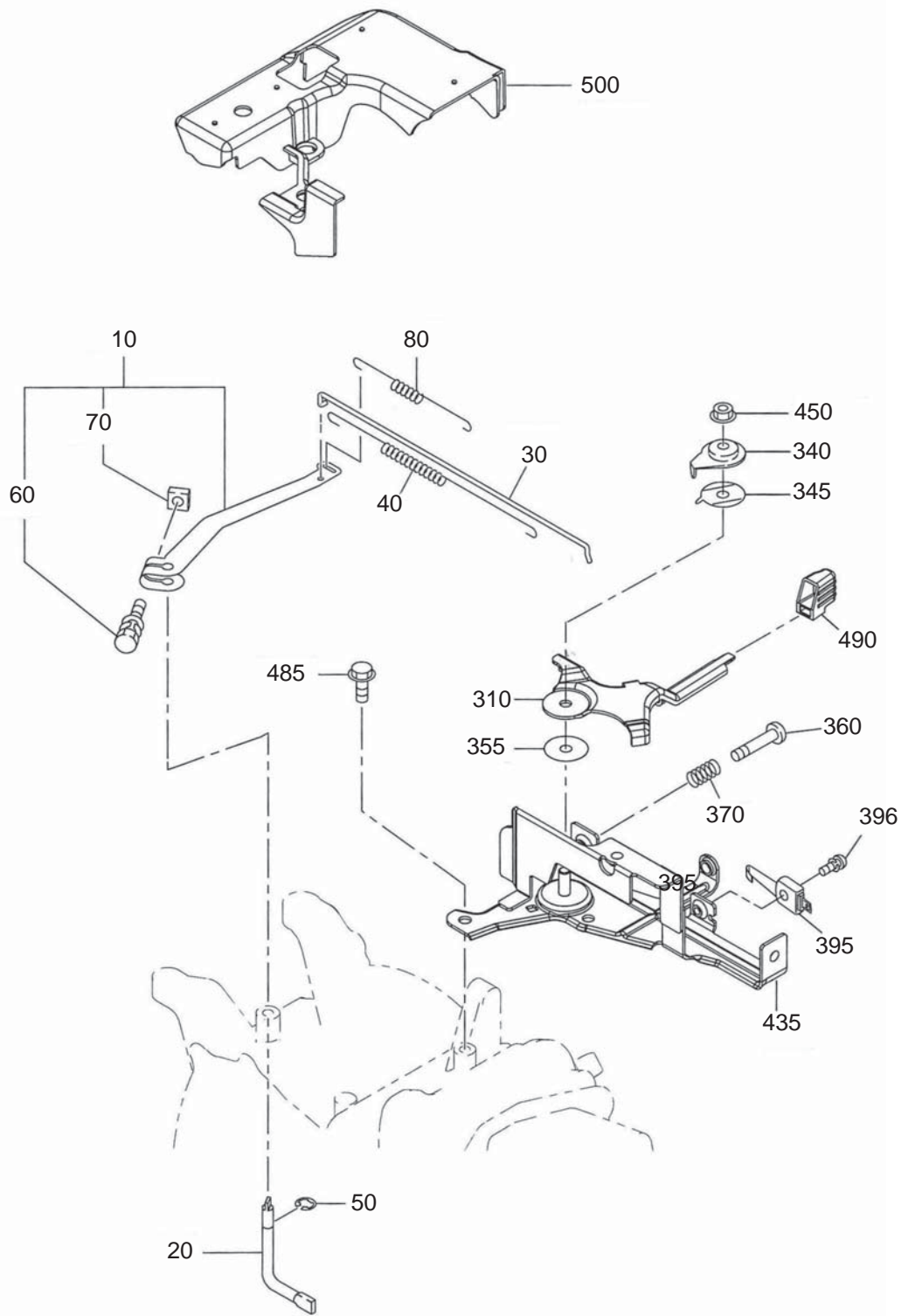
SECTION 3 INTAKE and EXHAUST GROUP

FIG. 330



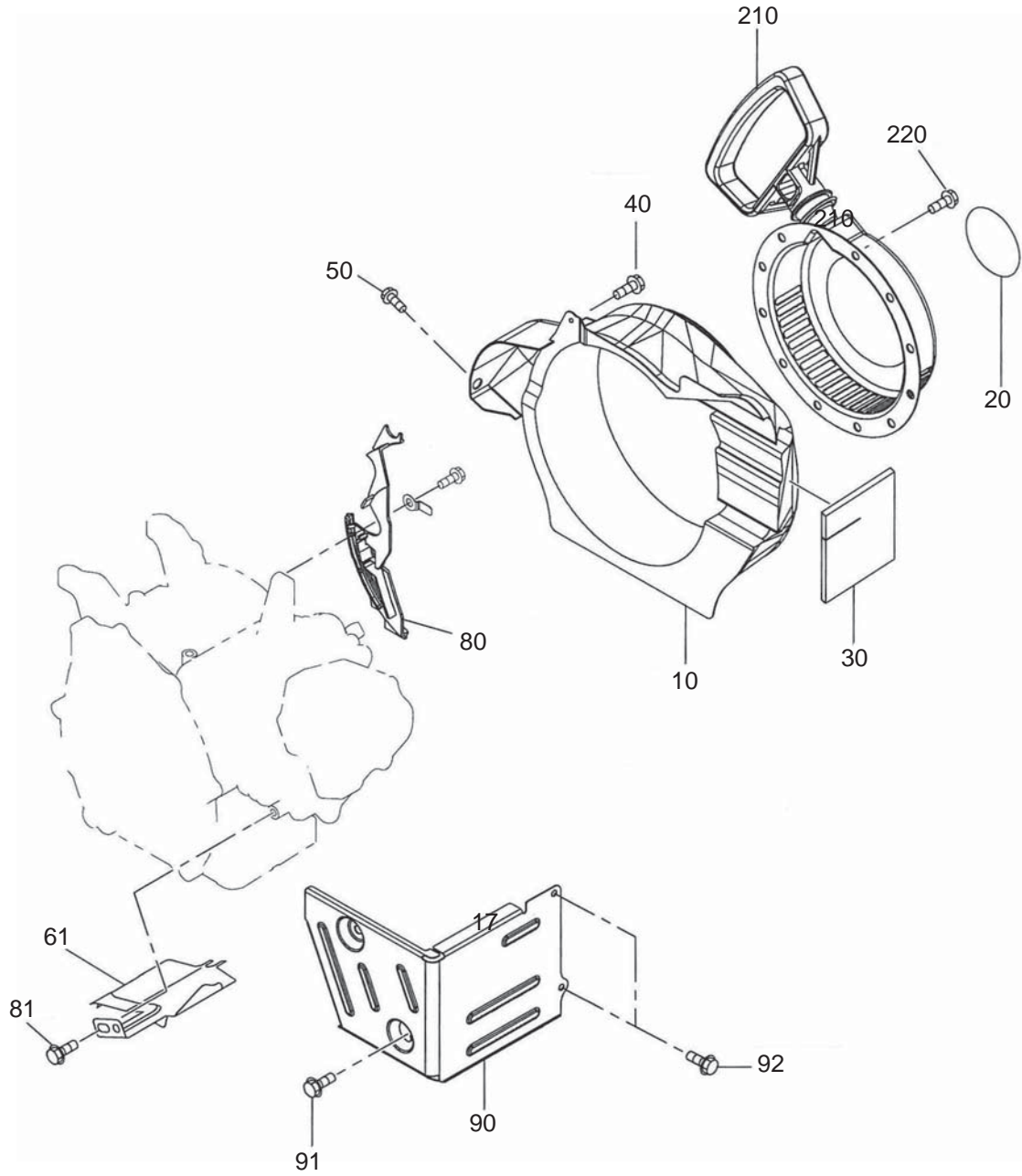
SECTION 4 GOVERNOR GROUP

FIG. 400



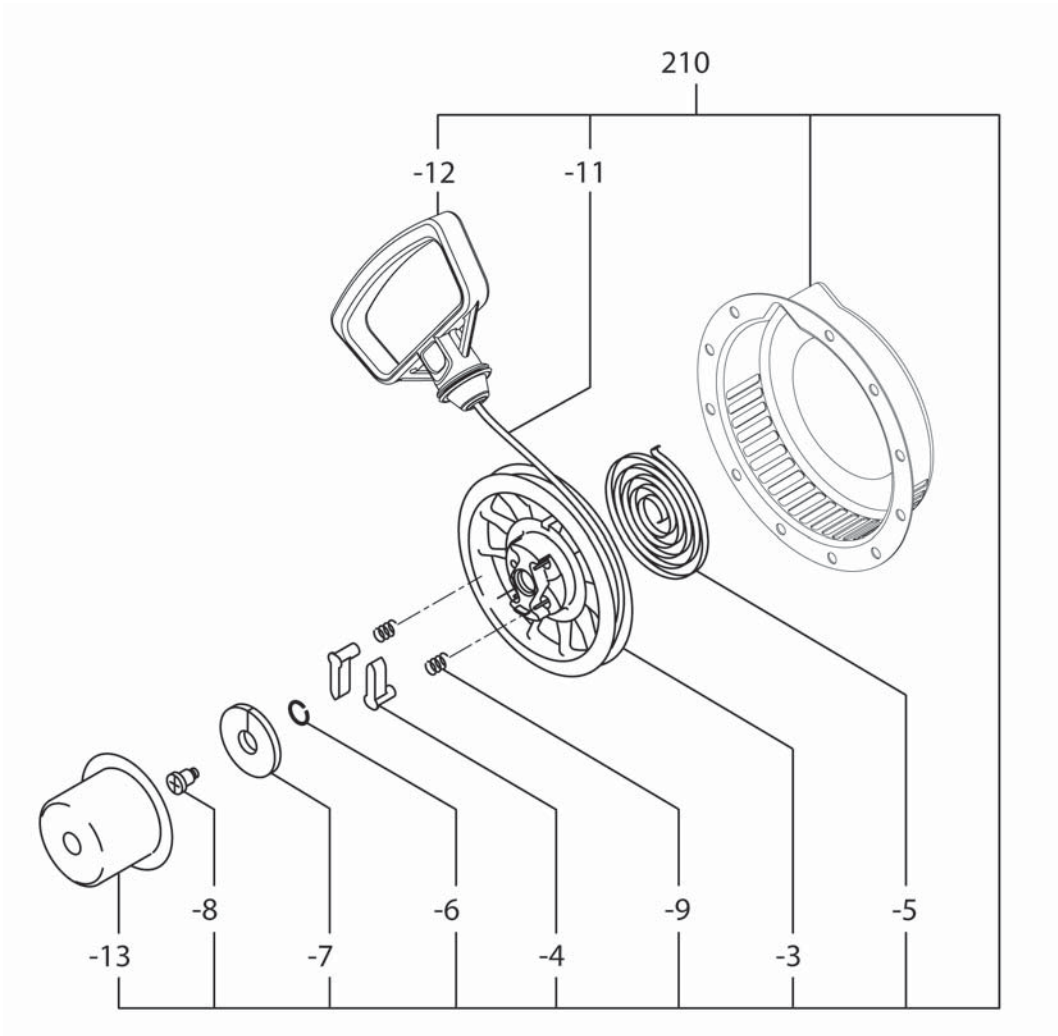
SECTION 5 COOLING and STARTING GROUP

FIG. 500



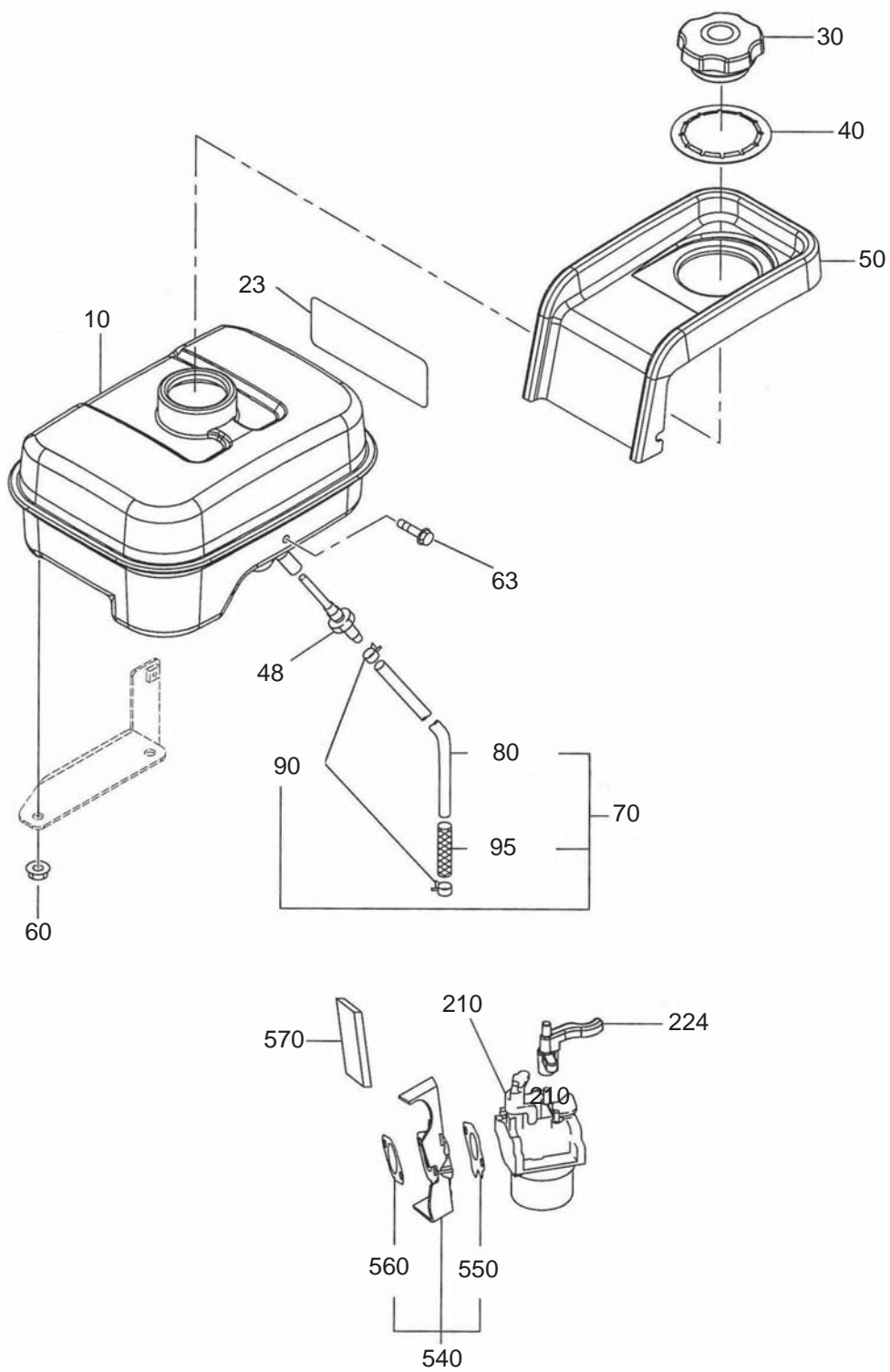
SECTION 5 COOLING and STARTING GROUP

FIG. 520



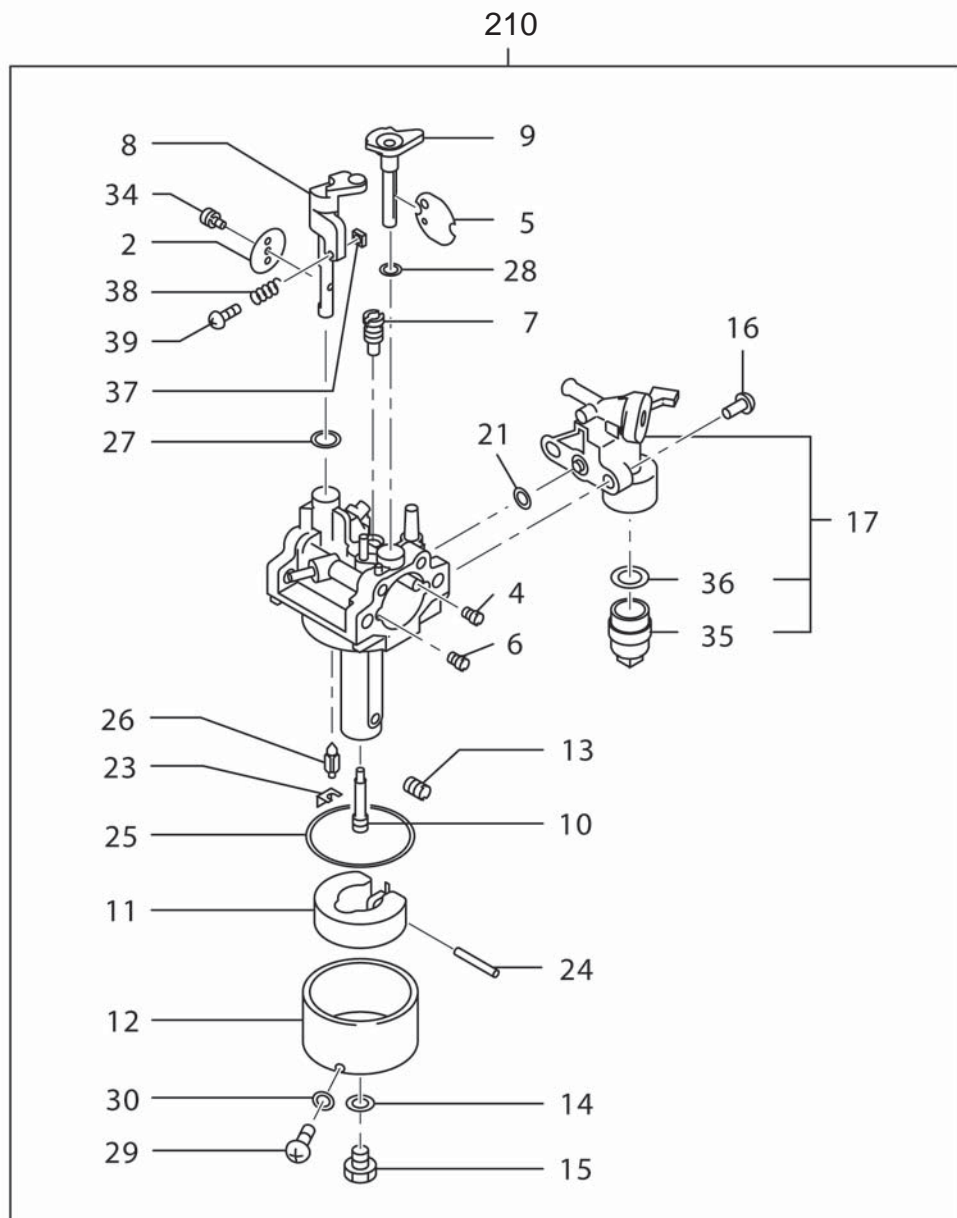
SECTION 6 FUEL, LUBRICATION GROUP

FIG. 600



SECTION 6 FUEL, LUBRICATION GROUP

FIG. 640

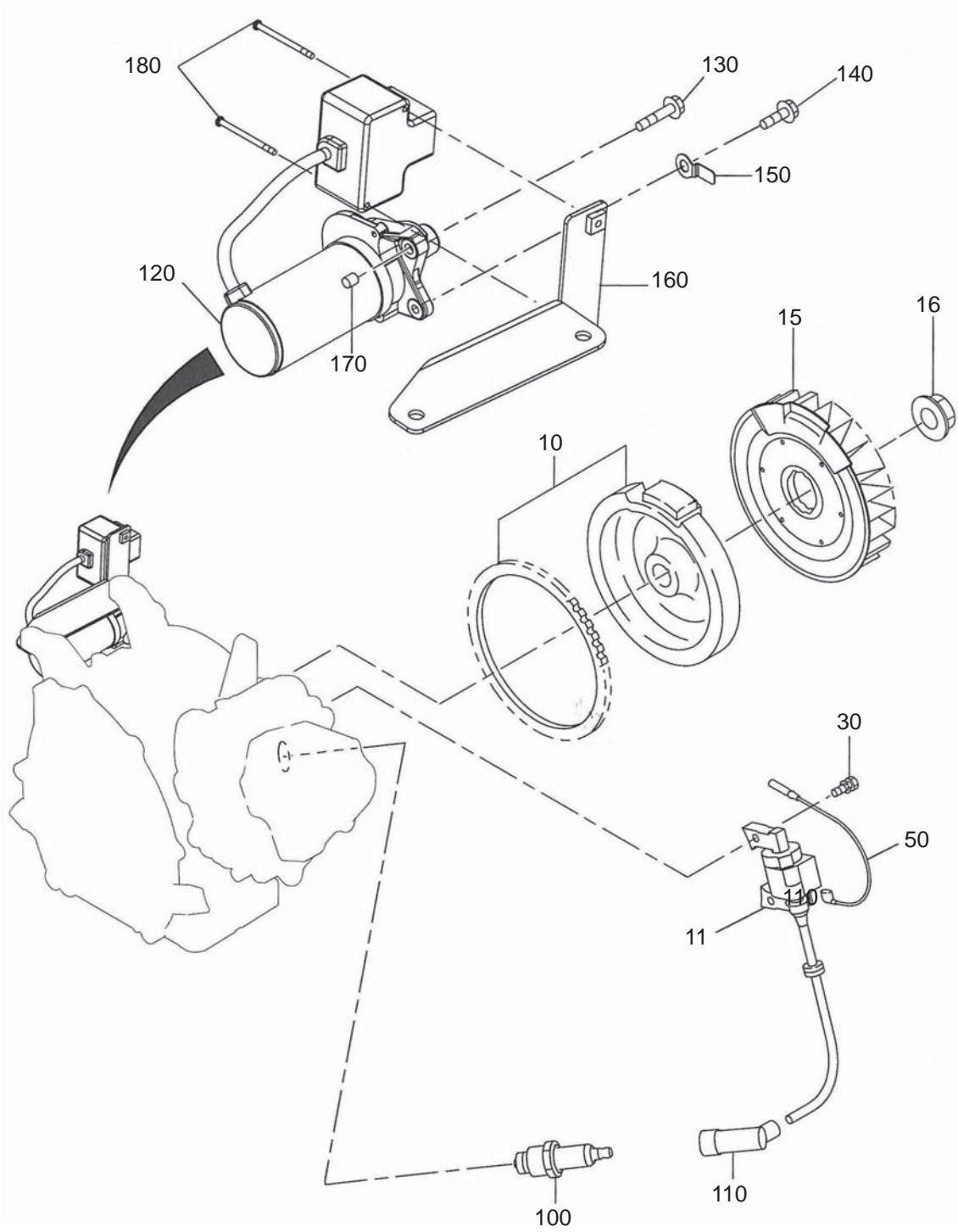


SECTION 6 FUEL, LUBRICATION GROUP

Ref.	Part Number	Description	Qty	Remarks	To-From	Fig.
210	277-62391-00	Carburetor Ay	1			640
-2	277-62535-08	Throttle Valve	1			640
-4	106-62410-08	Air Jet, pilot	1			640
-5	277-62528-08	Choke Valve	1			640
-6	248-62410-08	Air Jet	1			640
-7	246-62420-08	Pilot Jet	1	#40		640
-8	277-62531-18	Throttle Shaft A	1			640
-9	277-62520-08	Choke Lever	1			640
-10	277-62440-08	Main Nozzle	1			640
-11	226-62506-08	Float	1			640
-12	277-62506-08	Float Body Ay	1			640
-13	277-62402-08	Main Jet	1	#81.3		640
-14	214-62450-08	Packing	1			640
-15	227-62451-08	Bolt	1			640
-16	165-62377-08	Screw	2			640
-17	279-62103-20	Fuel Strainer Ay	1			640
-21	277-62552-08	O ring	1			640
-23	226-62701-18	Clip	1			640
-24	277-62515-08	Pin	1			640
-25	214-62540-08	Chamber Packing	1			640
-26	277-62500-08	Needle	1			640
-27	246-62390-08	Seal	1			640
-28	236-62680-08	Seal	1			640
-29	277-62360-08	Bolt	1			640
-30	236-62541-08	Packing	1			640
-35	209-62351-08	Screw	1			640
-35	277-62100-18	Cup	1			640
-36	277-62110-18	Packing	1			640
-37	277-62553-08	Nut	1			640
-38	283-62357-08	Spring	1			640
-39	106-62556-08	Screw	1			640

SECTION 7 ELECTRIC DEVICE GROUP

FIG. 700



PRINTED IN THE USA