

PARTS MANUAL

Models

**EH63V & EH65V
ENGINES**

PUB-EP1270
Rev. 01/00

GROUP INDEX

Group Name	Page
CRANKCASE GROUP - EH63V / EH65V	4
CRANKSHAFT GROUP	8
INTAKE and EXHAUST GROUP	10
MUFFLER GROUP	12
GOVERNOR GROUP	14
COOLING and STARTING GROUP	16
FUEL, LUBRICATION GROUP	18
CARBURETOR GROUP	20
ELECTRIC DEVICE GROUP	22
STARTING MOTOR GROUP	24

Robin America, Inc.

940 Lively Blvd. • Wood Dale, IL 60191 • Phone: 630-350-8200 • Fax: 630-350-8212
e-mail: sales@robinamerica.com • www.robinamerica.com

© Copyright 2000 Robin America, Inc.

FIG. 1 CRANKCASE GROUP - EH63V / EH65V

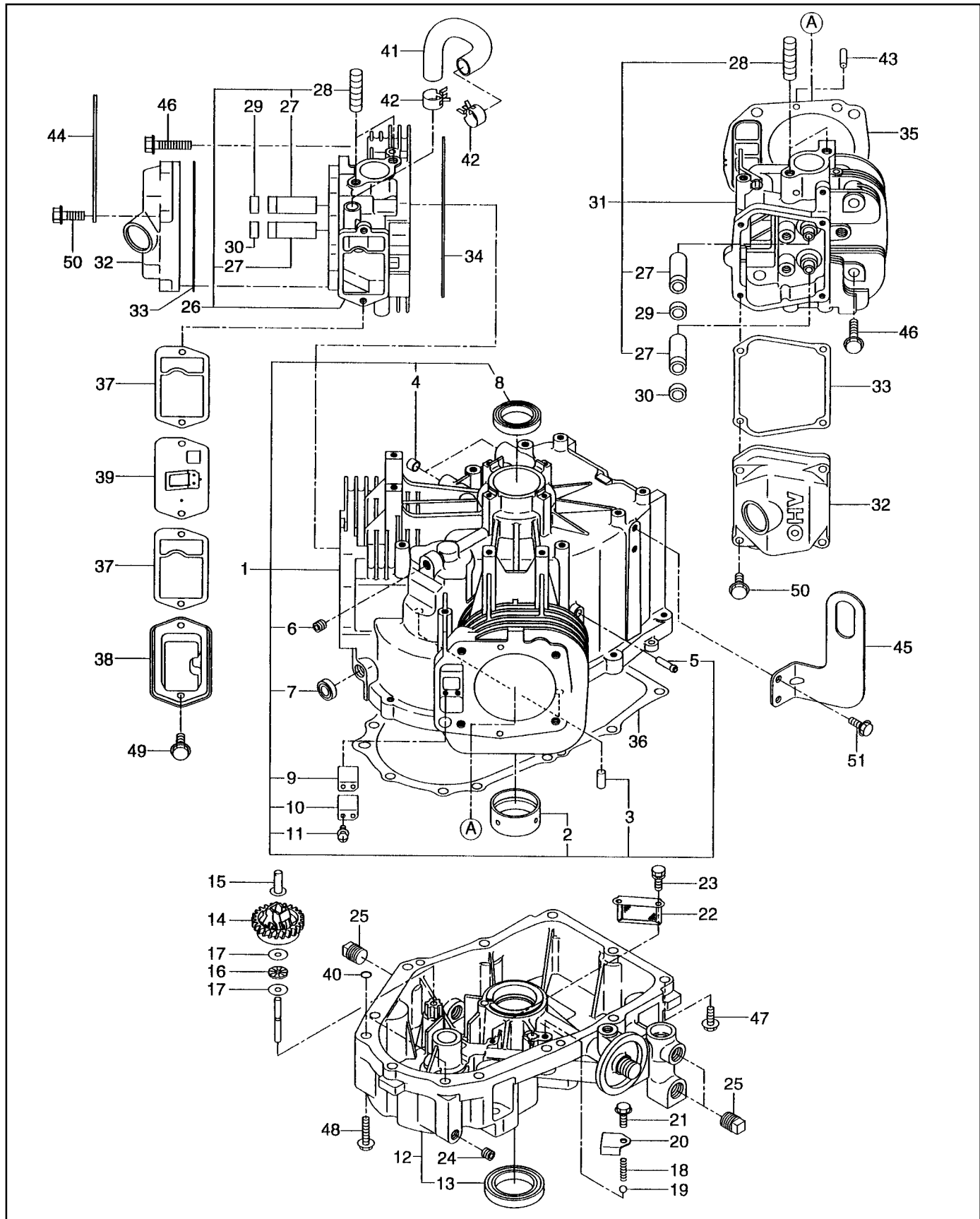


FIG. 1 CRANKCASE GROUP - EH63V / EH65V

REF	PART NUMBER	DESCRIPTION	QTY	REMARKS
*1	263-10201-A1	CRANKCASE, compl.	1	includes items 2 thru 11
2	263-15801-03	MAIN BEARING	1	
3	X31-00800-80	DOWEL PIN	2	
4	142-55601-03	PIPE	2	
5	159-65401-03	PIPE (PULSE)	1	
6	235-15421-03	BLIND PLUG	1	
7	044-00800-10	OIL SEAL	1	
8	044-03500-90	OIL SEAL	1	
9	263-17101-A3	LEAF VALVE	2	
10	263-17201-A3	RETAINER PLATE	2	
11	004-35041-00	SCREW and WASHER ASS'Y	4	
*12	263-11021-A1	MAIN BEARING COVER, compl.	1	includes item 13
13	044-04200-30	OIL SEAL	1	
14	263-45101-B1	GOVERNOR GEAR, compl.	1	
15	263-41901-03	GOVERNOR SLEEVE	1	
16	263-46213-A3	THRUST BEARING	1	
17	263-46214-A3	WASHER	2	
18	248-65601-03	SPRING, relief valve	1	
19	006-90308-00	STEEL BALL	1	
20	263-17301-A3	RETAINER PLATE	1	
21	X11-00600-20	FLANGE BOLT	1	
22	263-64311-A1	OIL PUMP FILTER	1	
23	001-13051-00	BOLT and WASHER ASS'Y	2	
24	235-15421-03	BLIND PLUG	1	
25	263-17401-A3	DRAIN PLUG	3	
*26	263-13201-02	CYLINDER HEAD 1 UNIT	1	includes items 27, 28
27	263-14201-03	VALVE GUIDE	4	
28	010-50802-90	STUD	8	
29	132-07AA0-50	SEAL-INTAKE VALVE	2	
30	132-11AA0-50	SEAL-EXHAUST VALVE	2	
*31	263-13301-02	CYLINDER HEAD 2 UNIT	1	includes items 27, 28
32	263-15501-A3	ROCKER COVER	2	
33	263-16101-A3	GASKET, rocker cover	2	
34	263-15021-01	GASKET, cylinder head 1	1	
35	263-15121-01	GASKET, cylinder head 2	1	
36	263-16011-A3	GASKET, main bearing cover	1	
37	263-16006-03	GASKET, breather plate	2	
38	263-14301-03	BREATHER COVER	1	
39	263-14411-A1	BREATHER PLATE, compl.	1	
40	024-00090-00	ORING	2	
41	263-18001-03	RUBBER PIPE	1	
42	263-68511-03	HOSE CLAMP	2	
43	X31-00600-20	DOWEL PIN	4	
44	263-19101-A3	LIFT HOOK1	1	

FIG. 1 CRANKCASE GROUP - EH63V / EH65V

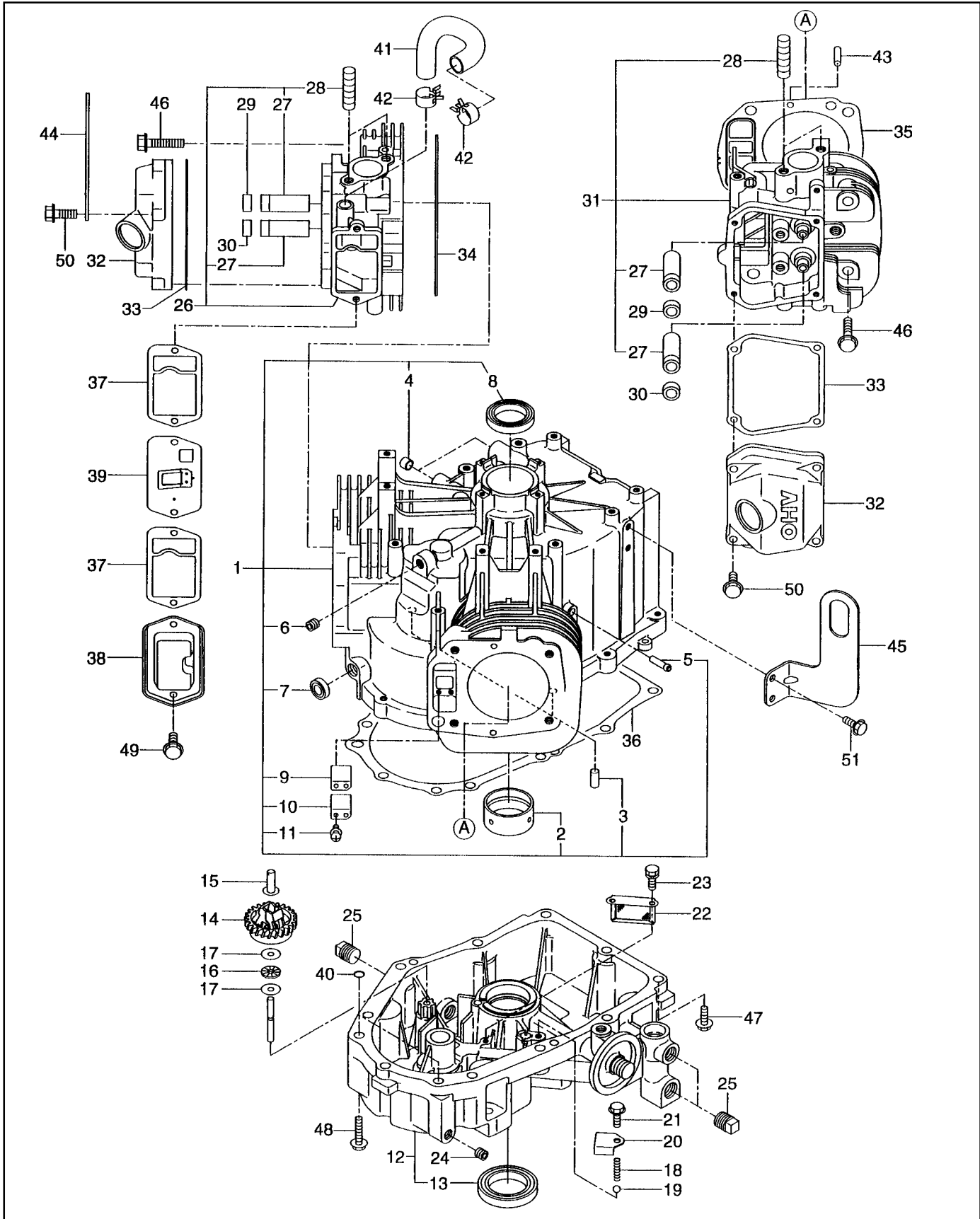


FIG. 2 CRANKSHAFT GROUP - EH63V / EH65V

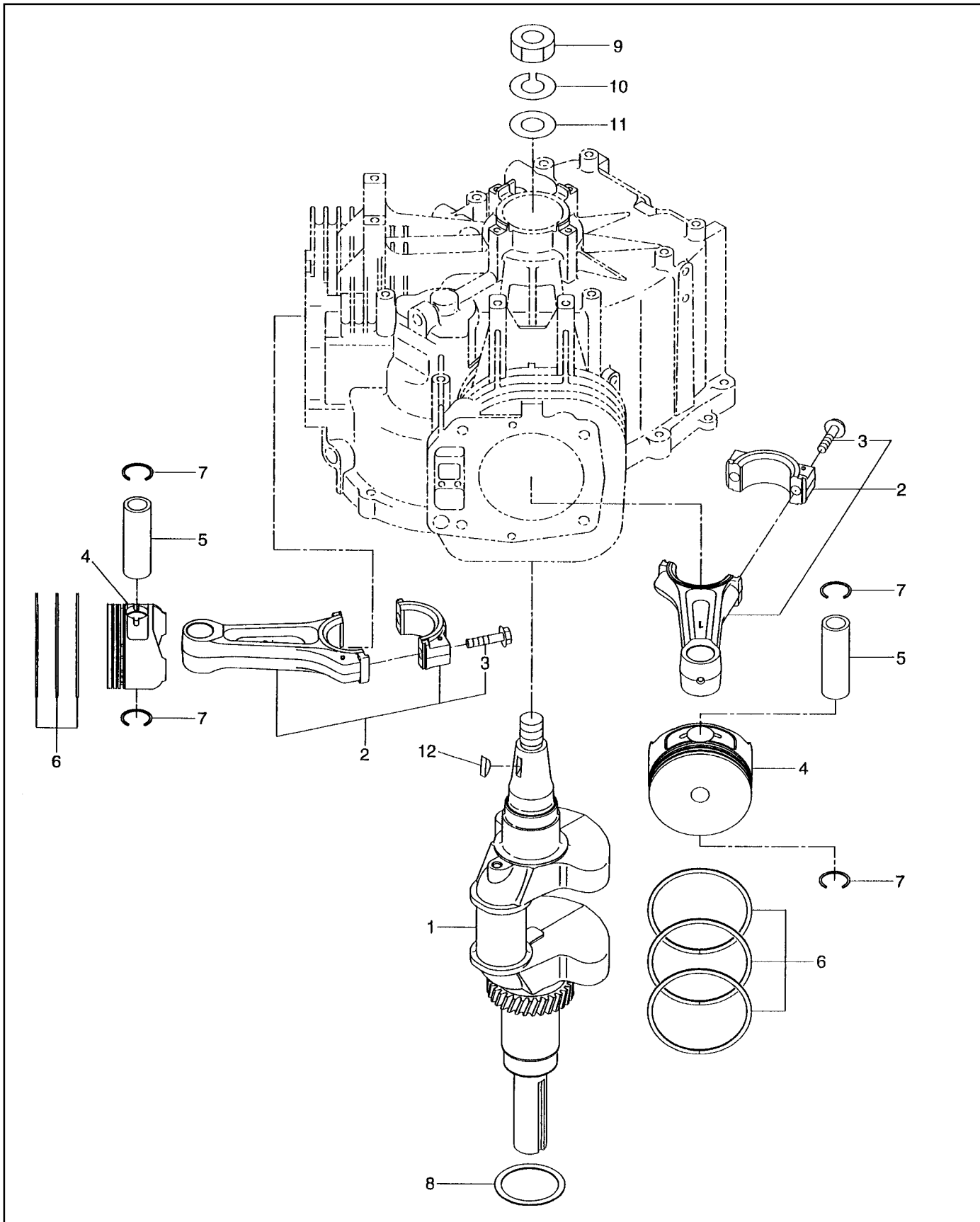


FIG. 3 INTAKE and EXHAUST GROUP - EH63V / EH65V

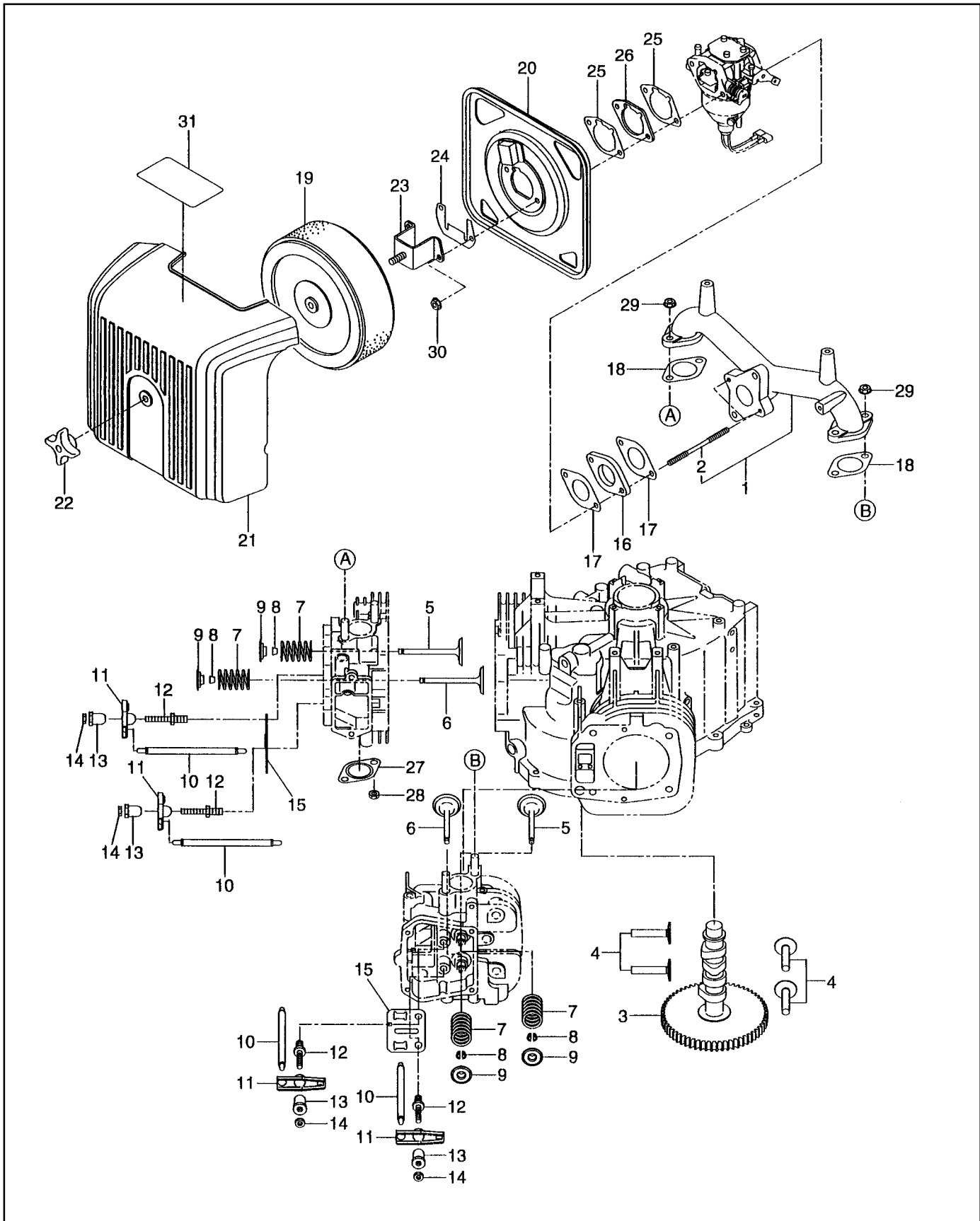


FIG. 3 INTAKE and EXHAUST GROUP - EH63V / EH65V

REF	PART NUMBER	DESCRIPTION	QTY	REMARKS
*1	263-33051-A1	INTAKE MANIFOLD, compl.	1	includes item 2
2	X10-50602-70	STUD	2	
3	263-31801-03	CAMSHAFT	1	
4	246-33301-03	TAPPET	4	
5	263-33401-03	INTAKE VALVE	2	
6	263-33501-03	EXHAUST VALVE	2	
7	246-33611-03	VALVE SPRING	4	
8	246-35501-03	COLLET-VALVE	8	
9	246-33711-03	SPRING RETAINER	4	
10	263-35321-A1	PUSH ROD, compl.	4	
11	267-36101-A3	ROCKER ARM	4	
12	261-35801-13	BOLT, pivot	4	
13	261-35701-B3	PIVOT	4	
14	017-00601-10	NUT	4	
15	263-37001-A3	GUIDE PLATE	2	
16	263-35401-A3	INSULATOR	1	
17	263-35501-A3	GASKET, insulator	2	
18	263-35503-A3	GASKET, intake manifold	2	
19	263-32610-A1	CLEANER ELEMENT, compl.	1	
20	263-32621-A1	CLEANER BASE, compl.	1	
21	263-32630-03	CLEANER COVER	1	
22	263-32640-01	WING NUT	1	
23	263-35505-A1	BRIDGE, cleaner	1	
24	263-35506-A3	RETAINER, air cleaner	1	
25	263-35502-A3	GASKET, cleaner	2	
26	263-38001-A3	SPACER, air cleaner	1	
27	263-35201-A1	GASKET EXHAUST	2	
28	X18-00800-10	FLANGE NUT	4	
29	002-38080-00	FLANGE NUT	4	
30	002-38060-00	FLANGE NUT	2	
31	263-91771-A3	LABEL (TRADEMARK) For EH63V	1	
31	263-91751-A3	LABEL (TRADEMARK) For EH65V	1	

FIG. 4 MUFFLER GROUP (OPTION PARTS) - EH63V / EH65V

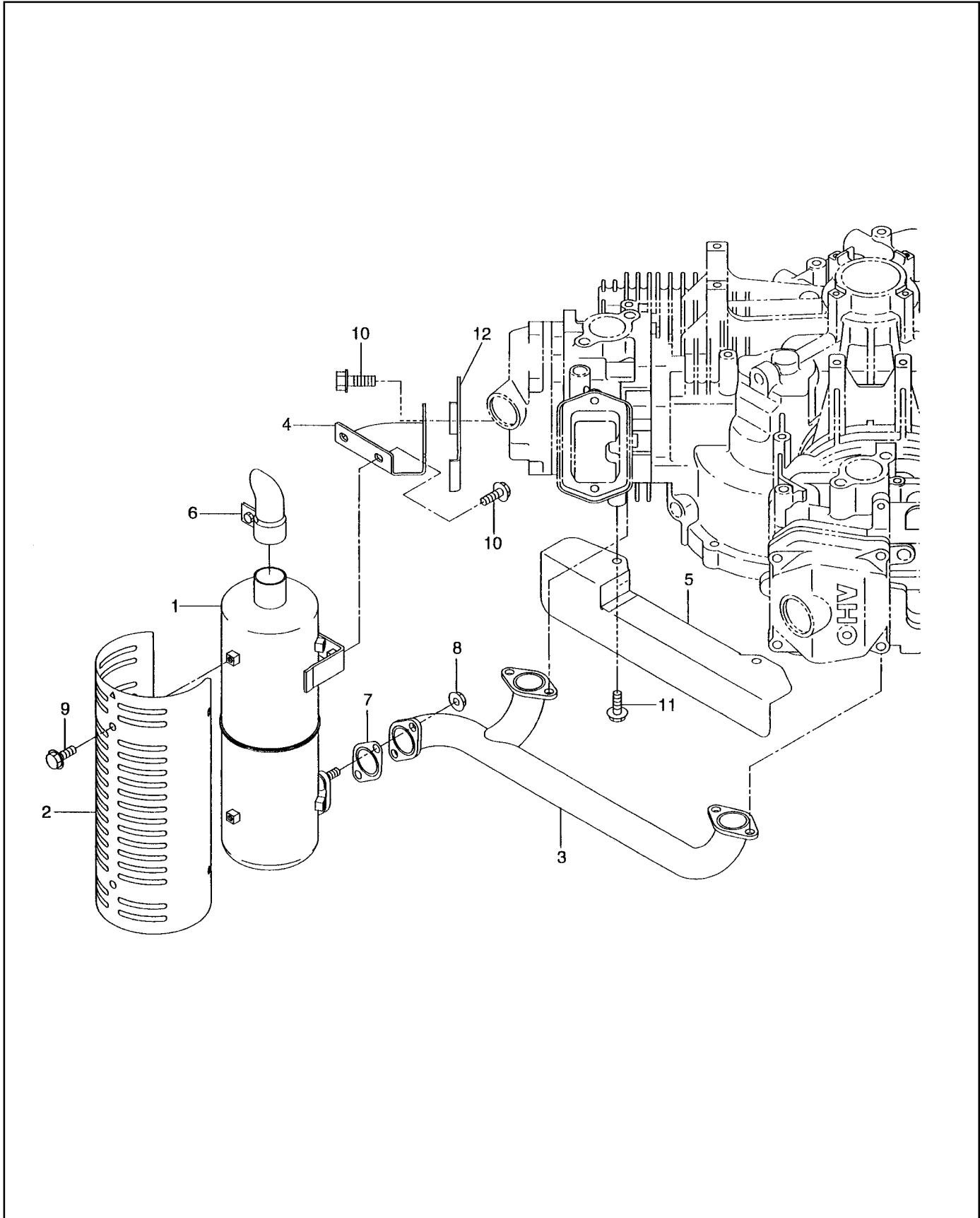


FIG. 5 GOVERNOR GROUP - EH63V / EH65V

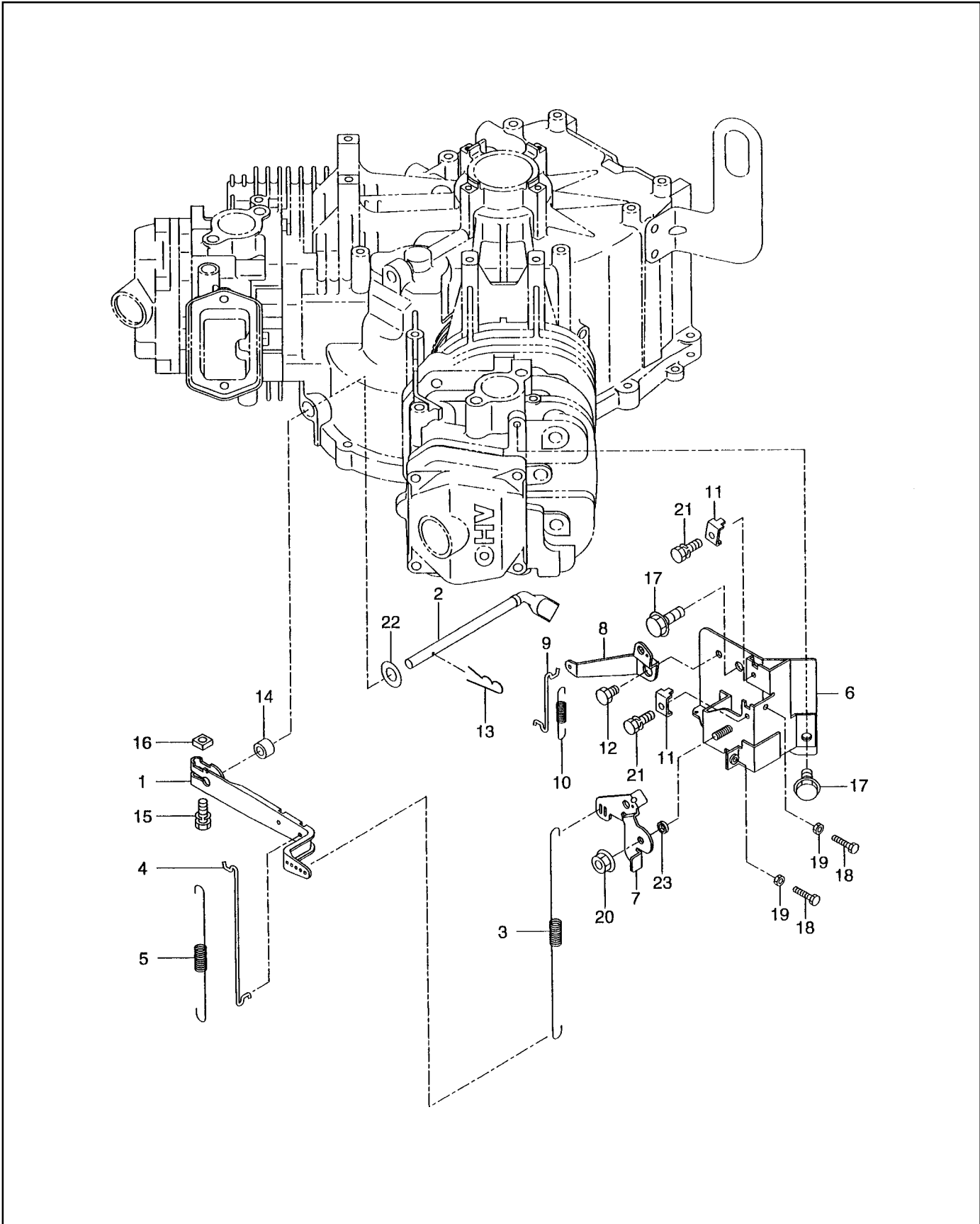


FIG. 6 COOLING and STARTING GROUP - EH63V / EH65V

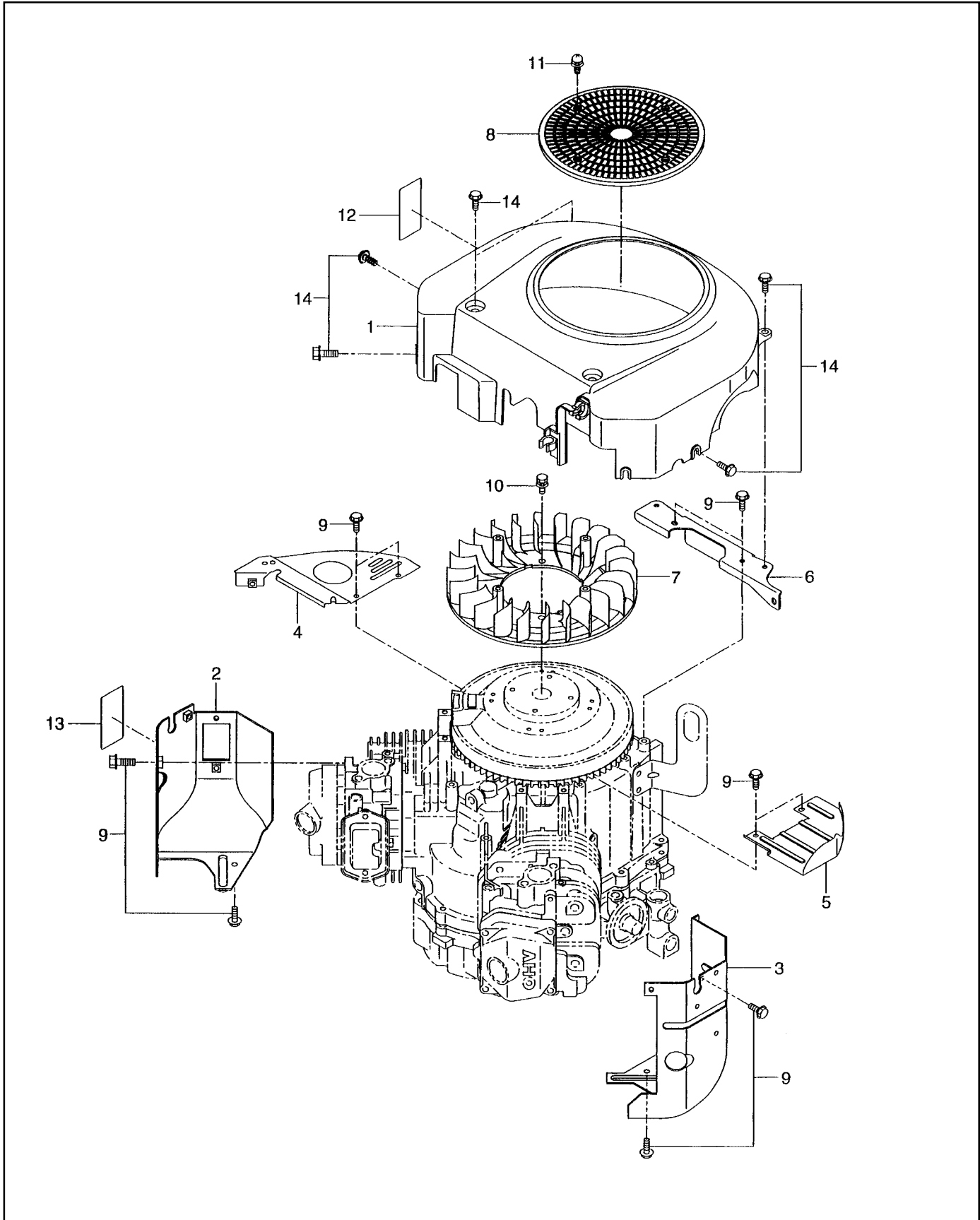


FIG. 7 FUEL, LUBRICANT GROUP - EH63V / EH65V

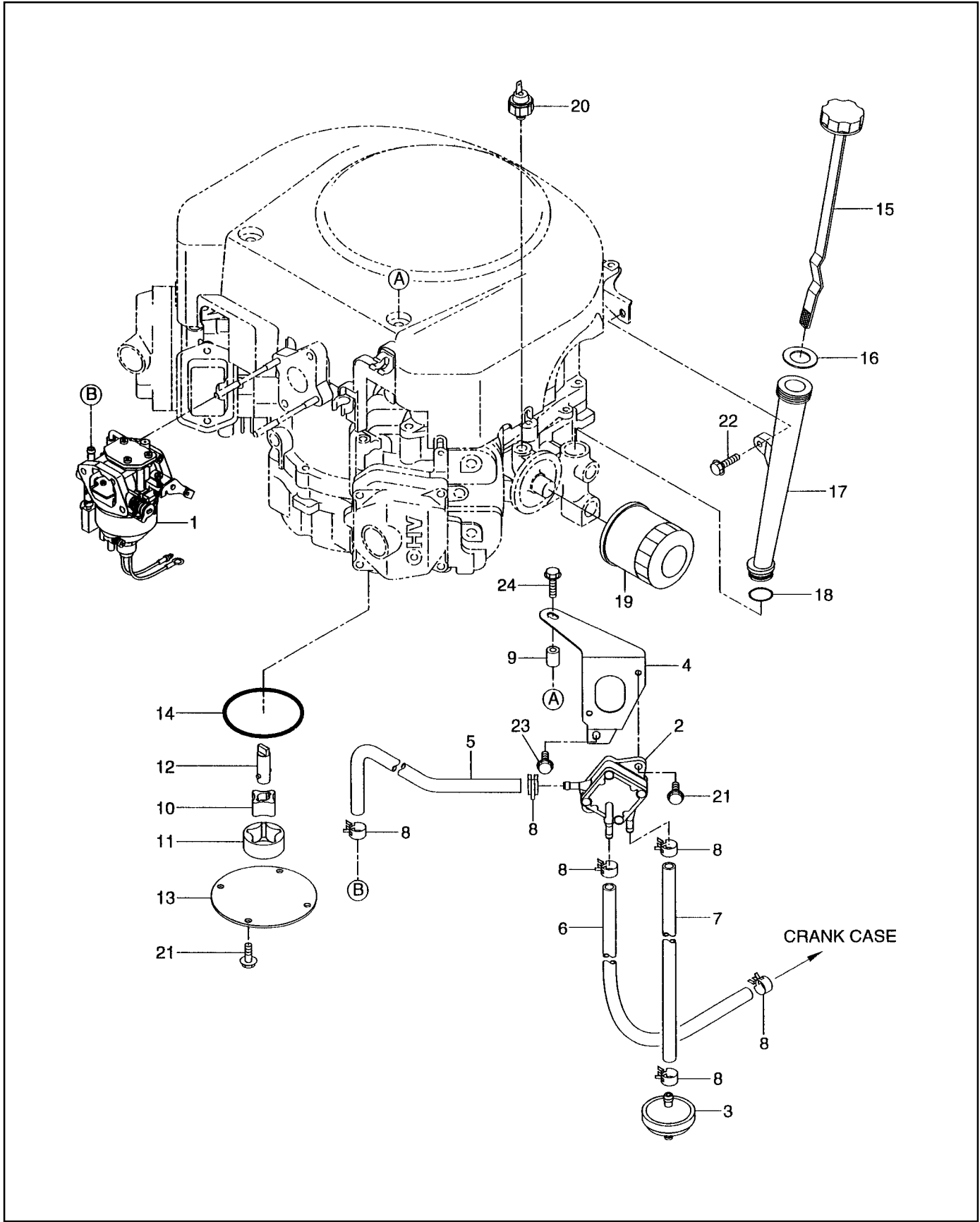


FIG. 8 CARBURETOR GROUP - EH63V / EH65V

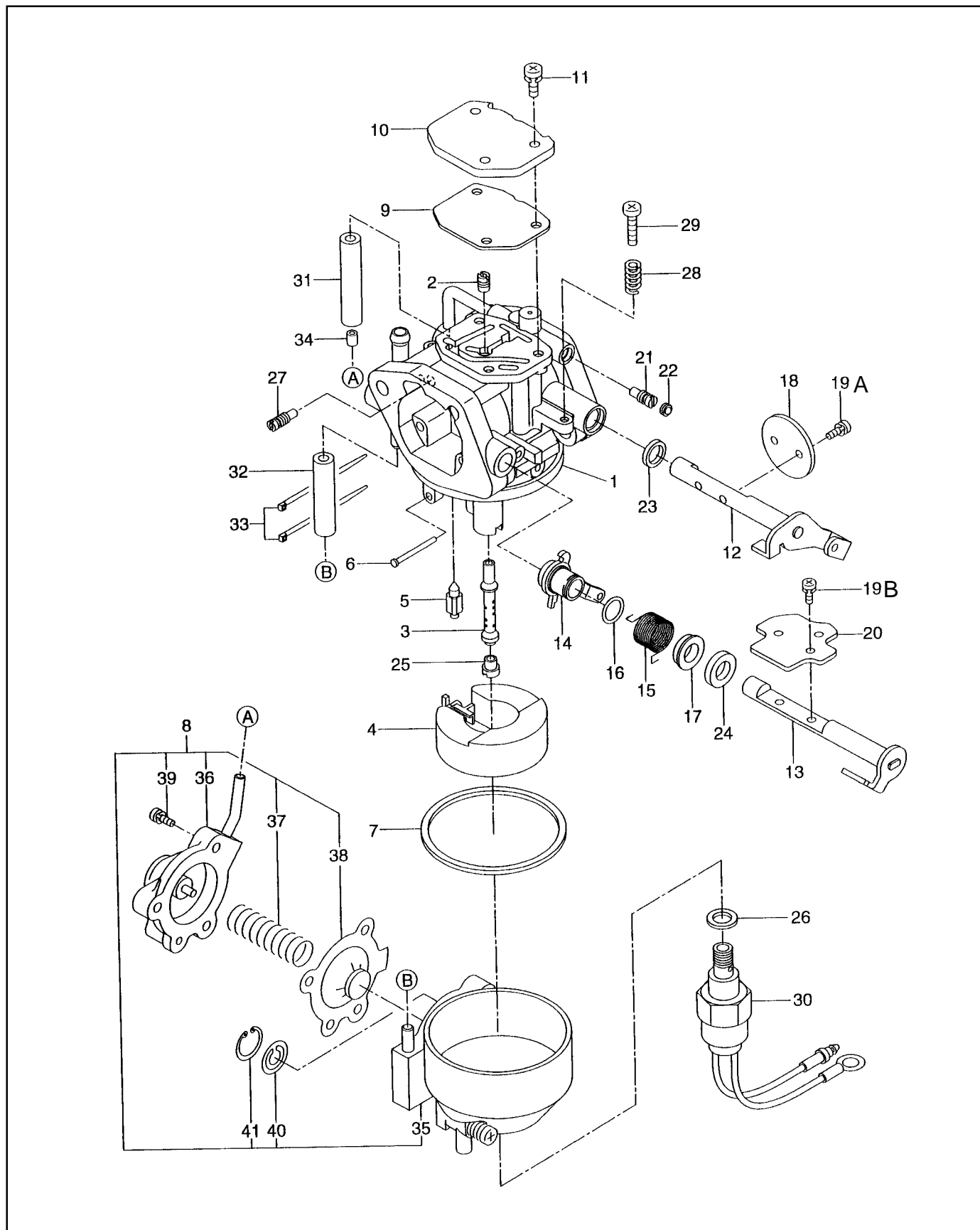


FIG. 8 CARBURETOR GROUP - EH63V / EH65V

REF	PART NUMBER	DESCRIPTION	QTY	REMARKS
*1	263-62571-10	CARBURETOR ASS'Y For EH63V	1	includes items 2 thru 41
*1	263-62371-10	CARBURETOR ASS'Y For EH65V	1	includes items 2 thru 41
2	263-62422-08	SLOW JET ASS'Y	1	
3	263-62441-08	MAIN NOZZLE For EH63V	1	
3	263-62440-08	MAIN NOZZLE For EH65V	1	
4	263-62505-08	FLOAT	1	
5	263-62501-08	FLOAT VALVE	1	
6	263-62515-08	FLOAT PIN	1	
7	263-62575-08	FLOAT CHAMBER GASKET	1	
*8	263-62581-08	FLOAT CHAMBER, compl.	1	includes items 35 thru 41
9	263-62545-08	PASSAGE COVER GASKET	1	
10	263-62565-08	PASSAGE COVER	1	
11	263-62585-08	SCREW	3	
12	263-62533-08	THROTTLE SHAFT ASS'Y	1	
13	263-62521-08	CHOKE SHAFT ASS'Y	1	
14	263-62522-08	CHOKE LEVER ASS'Y	1	
15	263-62446-08	CHOKE ARM RETURN SPRING ForEH63V	1	
15	263-62445-08	CHOKE ARM RETURN SPRING ForEH65V	1	
16	258-62551-08	CHOKE LEVER RING	1	
17	258-62553-08	CHOKE COLLAR	1	
18	263-62536-08	THROTTLE VALVE	1	
19A	258-62559-08	SCREW, THROTTLE VALVE SET	2	
19B	261-62352-08	SCREW, CHOKE VALVE SET	2	
20	263-62526-08	CHOKE VALVE For EH63V	1	
20	263-62525-08	CHOKE VALVE For EH65V	1	
21	261-62435-08	NEEDLE, compl.	1	
22	261-62358-08	EXPANSION PLUG	1	
23	263-62590-08	AIR FILTER	1	
24	258-62554-08	CHOKE SHAFT FILTER	1	
25	263-62402-08	MAIN JET (#110) For EH63V	1	
25	263-62404-08	MAIN JET (#128) For EH65V	1	
26	215-62430-08	GASKET	1	
27	263-62411-08	SLOW AIR BLEED JET For EH3V	1	
27	263-62410-08	SLOW AIR BLEED JET For EH65V	1	
28	226-62446-08	SPRING, THROTTLE ADJUST SCREW	1	
29	263-62586-08	ROUND MACHINE SCREW	1	
30	263-62558-08	SOLENOID VALVE ASS'Y	1	
31	263-62356-08	VACUUM HOSE	1	
32	263-62357-08	FUEL HOSE	1	
33	107-62381-08	NYLON BAND	2	
34	263-62450-08	JET	1	
35	263-62582-08	FLOAT CHAMBER ASS'Y	1	
36	263-62359-08	COVER, compl.	1	
37	263-62320-08	SPRING	1	
38	263-62358-08	DIAPHRAGM ASS'Y	1	

FIG. 9 ELECTRIC DEVICE GROUP - EH63V / EH65V

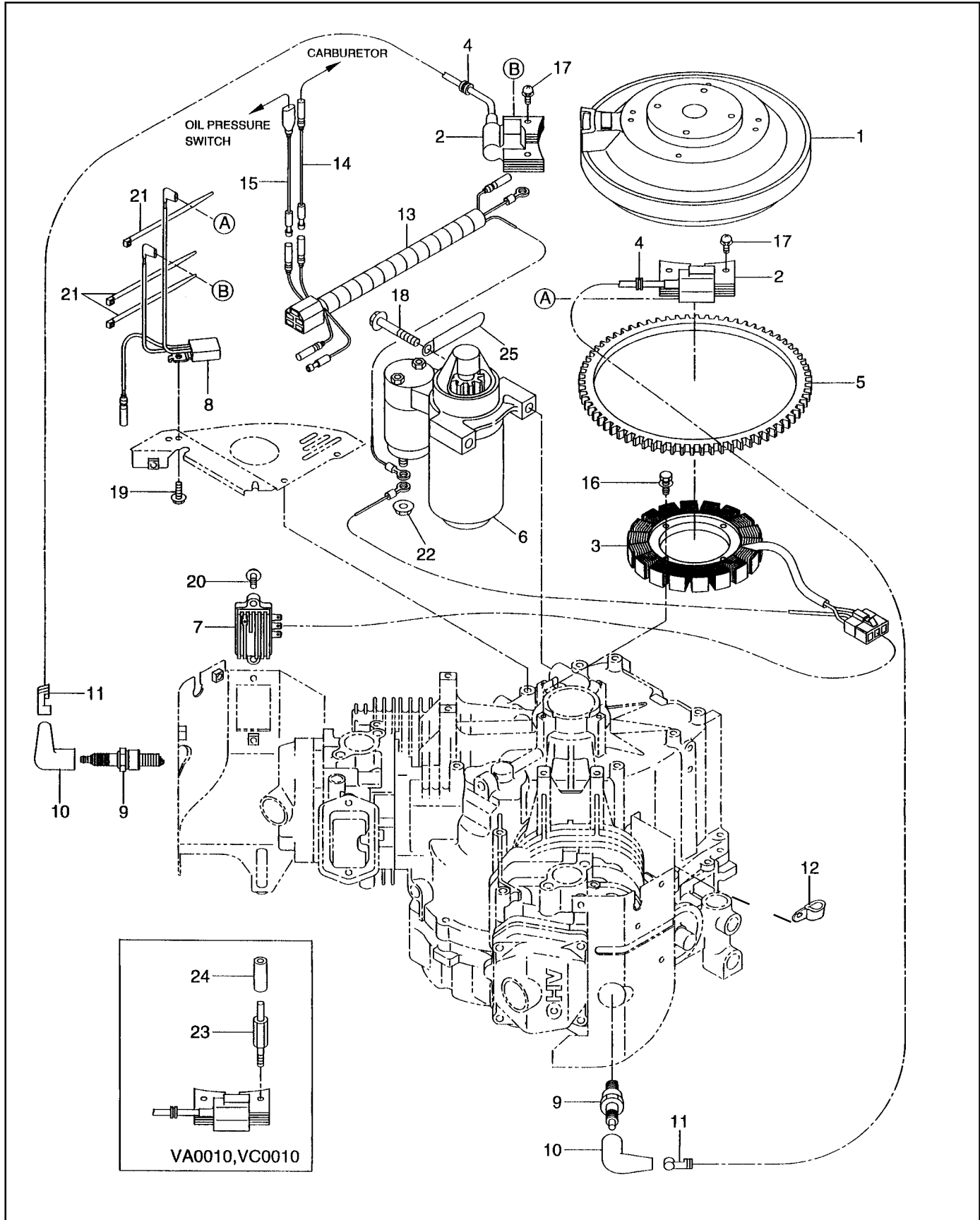
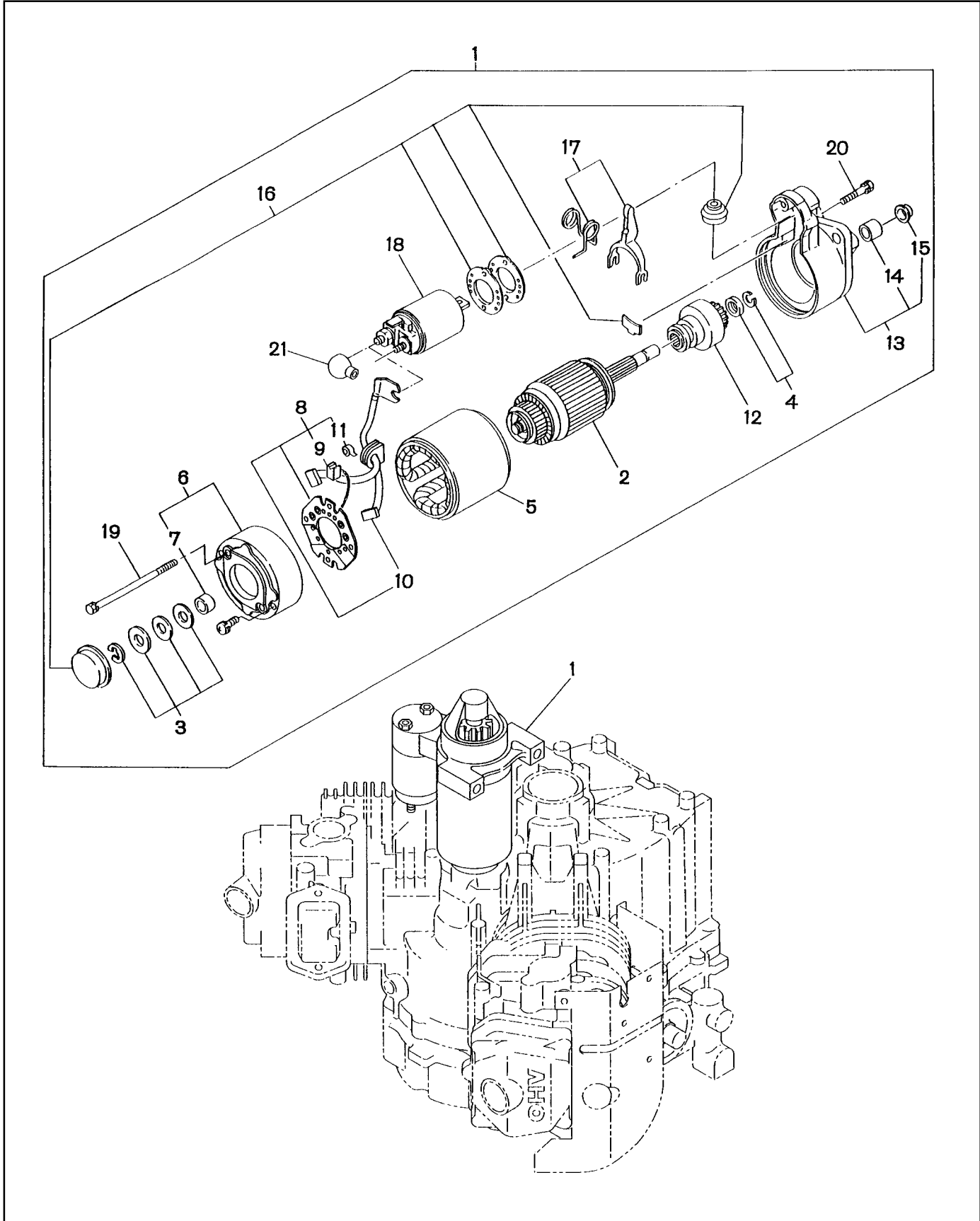


FIG. 10 STARTING MOTOR GROUP - EH63V / EH65V



PRINTED IN THE USA