

PARTS MANUAL

Model

**RGV2800
Generator**

PUB-GP1189
Rev. 7/98

GROUP INDEX

Group Name	Page
GENERATOR GROUP	4
FRAME	6
CONTROL BOX GROUP	8
CONTROL PANEL.....	10
FUEL TANK	12
MUFFLER	14
CRANKCASE.....	16
CRANKSHAFT and PISTON.....	18
INTAKE and EXHAUST	20
GOVERNOR OPERATION.....	22
COOLING and STARTING	24
CARBURETOR.....	26
MAGNETO	28
OIL SENSOR	30

Robin America, Inc.

940 Lively Blvd. • Wood Dale, IL 60191 • Phone: 630-350-8200 • Fax: 630-350-8212
e-mail: sales@robinamerica.com • www.robinamerica.com

© Copyright 1998 Robin America, Inc.

FIG. 1 GENERATOR GROUP

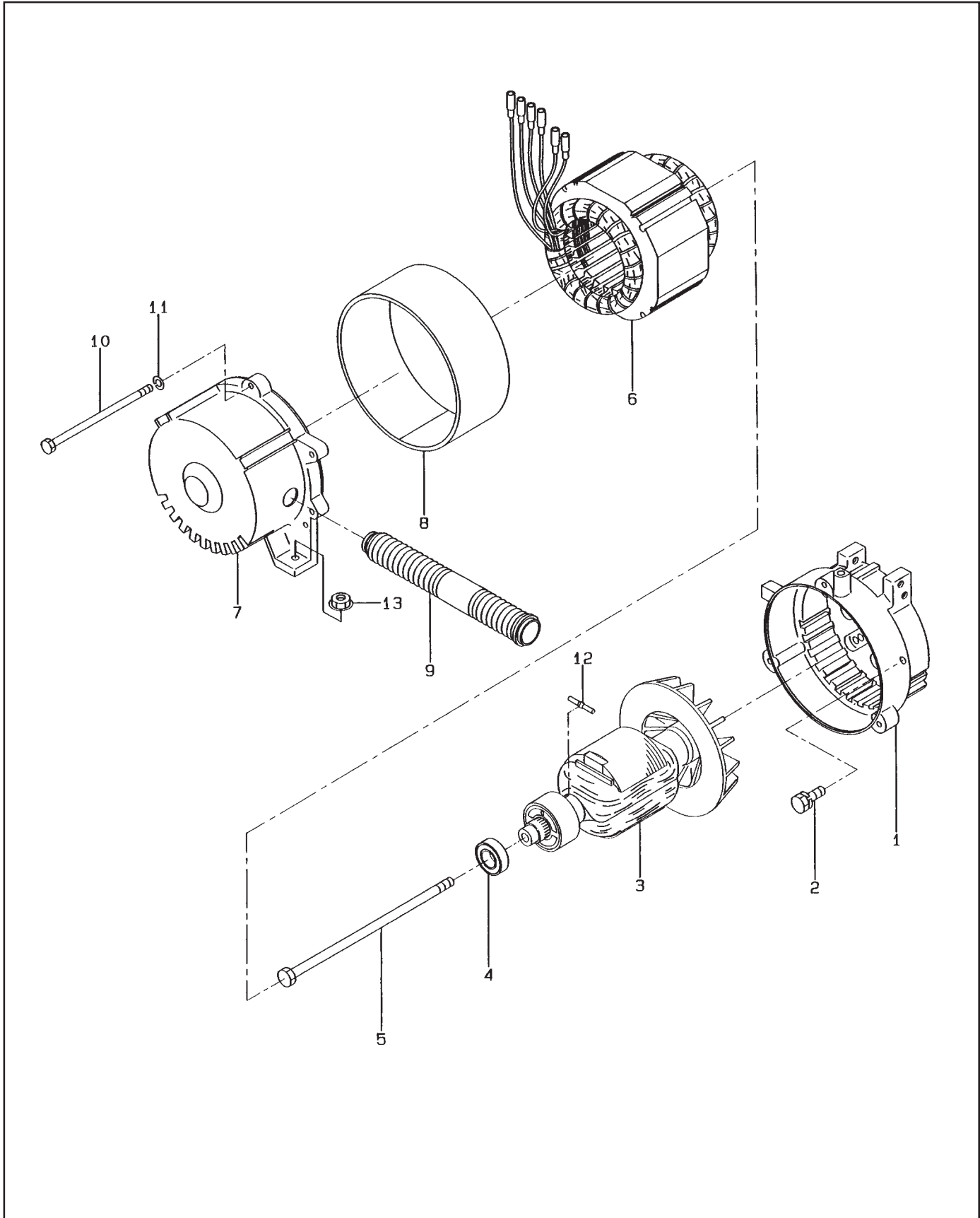


FIG. 1 GENERATOR GROUP

REF	PART NUMBER	DESCRIPTION	QTY	REMARKS
1	31B-51021 -11	FRONT COVER	1	
2	001-14082-00	BOLT and WASHER ASS'Y	4	
*3	31E-51000-01	ROTOR, compl.	1	Includes items 4 and 12
4	353-58208-08	BALL BEARING	1	6203ZZ
5	31E-53000-01	THROUGH BOLT	1	M8 x 250mm
6	3IB-51123-01	STATOR, compl.	1	For 60Hz-120V
7	31B-51022-01	REAR COVER	1	
8	3IB-51023-01	STATOR COVER	1	
9	391-29000-13	BUSHING	1	
10	366-58305-08	COVER BOLT	3	M6 x 110mm
11	003-20060-00	SPRING WASHER	3	
12	380-54374-08	DIODE	3	
13	002-38080-00	FLANGE NUT	2	

FIG. 2 FRAME

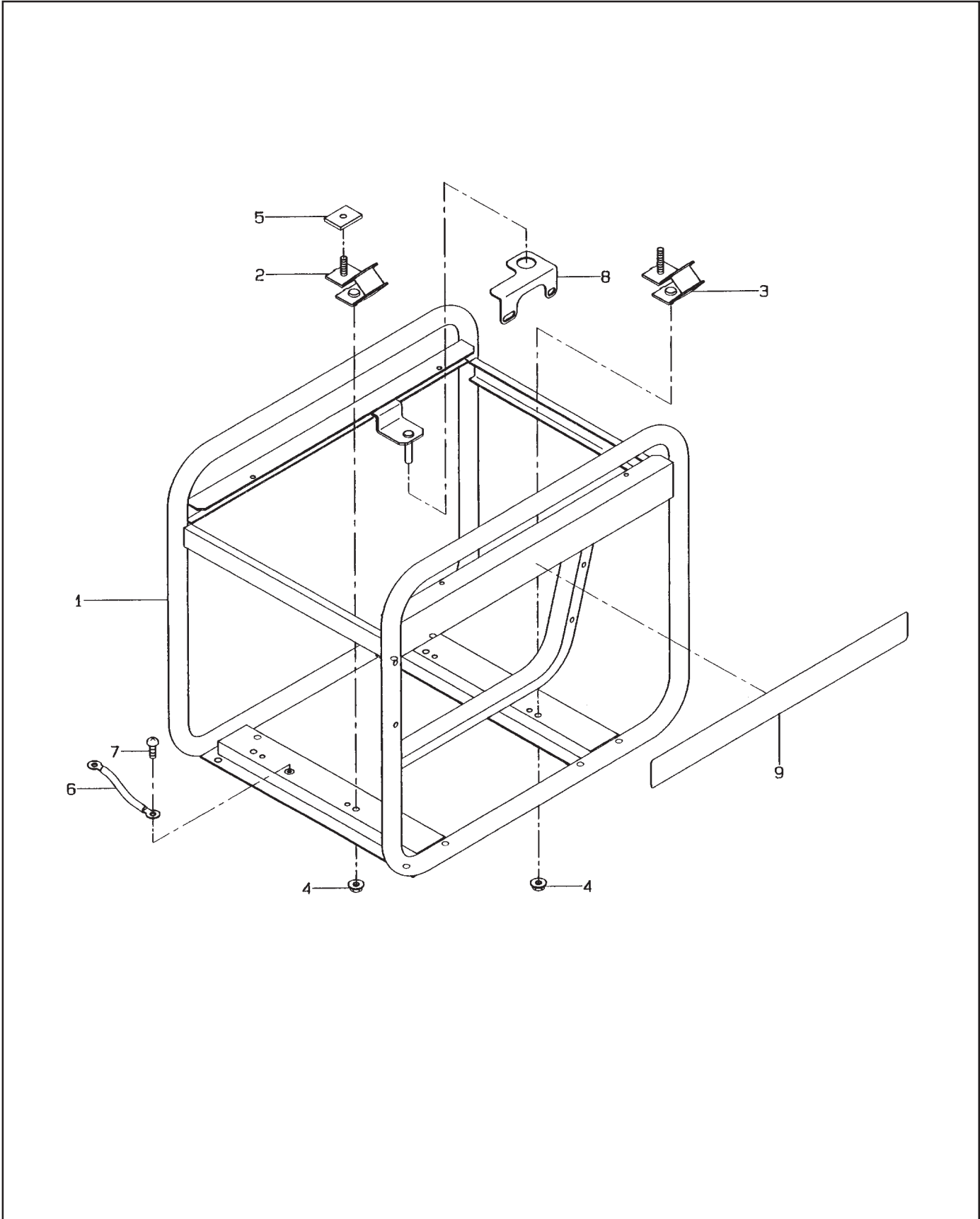


FIG. 3 CONTROL BOX GROUP

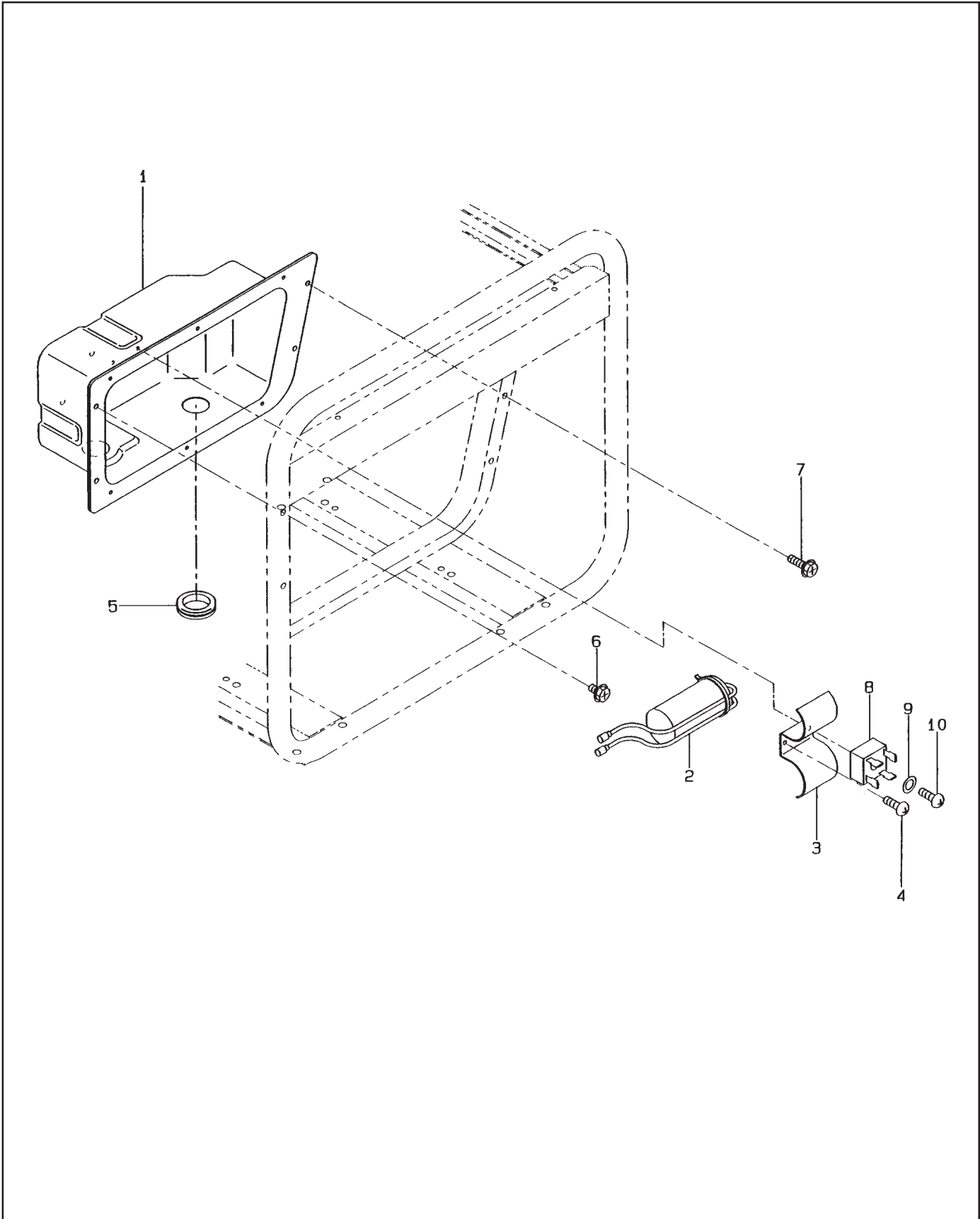


FIG. 4 CONTROL PANEL

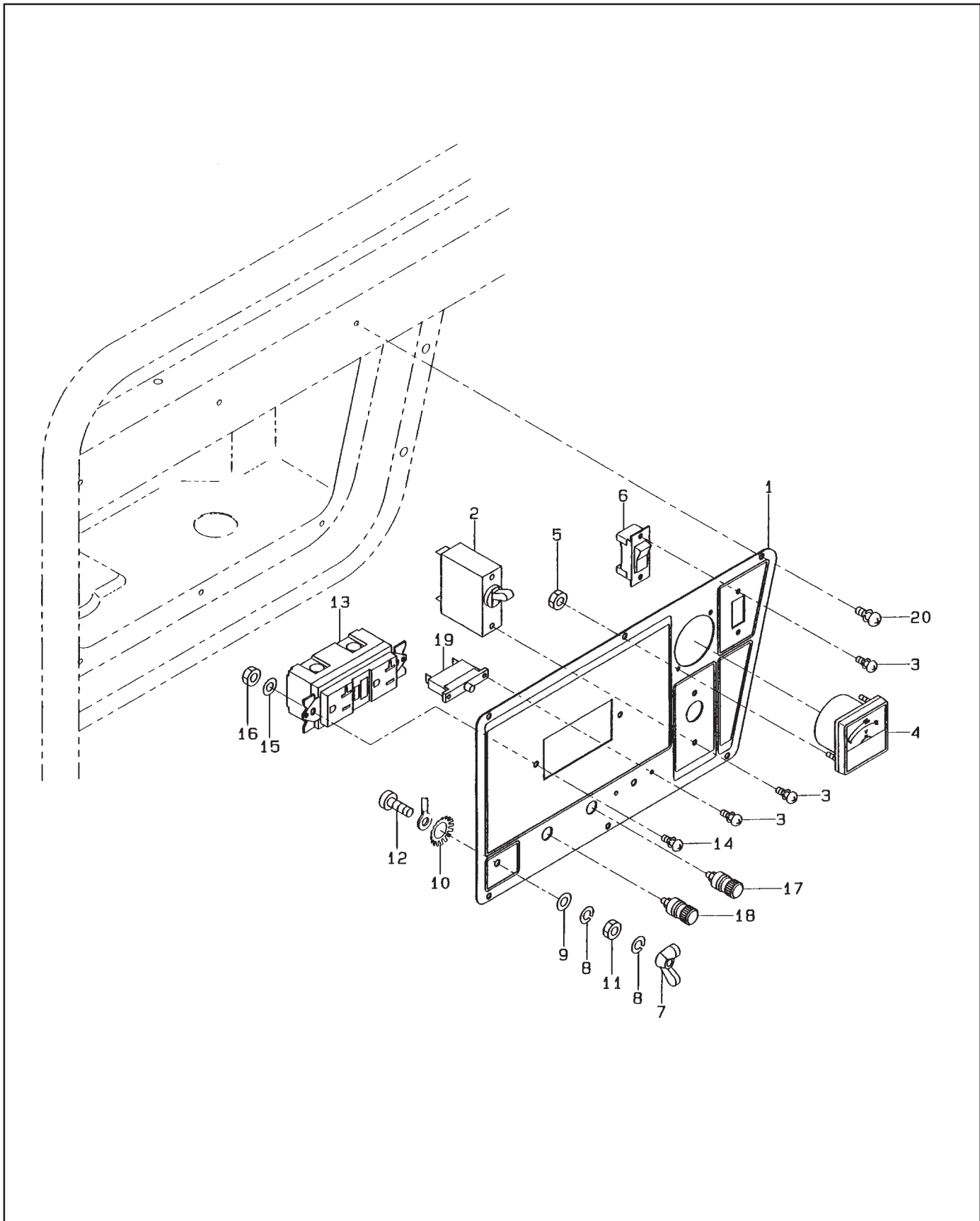


FIG. 4 CONTROL PANEL

REF	PART NUMBER	DESCRIPTION	QTY	REMARKS
*1	31B-72048-00	CONTROL PANEL ASS'Y For 60Hz-120V	1	Includes items 1 thru 19
1	31B-72040-01	PANEL A, compl.	1	
2	31B-73009-03	NO FUSE BREAKER (20A)	1	
3	31B-79011-03	SCREW and WASHER ASS'Y	6	M3 x 5mm
4	391-47800-01	AC VOLTMETER (100V)	1	
5	388-49801-08	NUT (M3)	2	
6	31B-77505-01	ENGINE SWITCH	1	
7	353-49901-08	WING NUT (M5)	1	
8	332-00050-08	SPRING WASHER	2	
9	353-49903-08	WASHER	1	
10	372-59950-08	LOCK WASHER	1	
11	353-49902-08	NUT	1	
12	356-49907-08	SCREW	1	M5 x 15mm
13	31B-77506-01	AC RECEPTACLE	1	GFCI
14	004-35041-00	SCREW and WASHER ASS'Y	2	M4 x 10mm
15	003-10040-00	WASHER (M4)	2	
16	002-17040-00	NUT (M4)	2	
17	363-45701-08	TERMINAL BOLT (COLOR: RED)	1	
18	363-45700-08	TERMINAL BOLT (COLOR: BLACK)	1	
19	352-45620-08	CIRCUIT PROTECTOR (10A)	1	
20	351-49919-08	TAPPING SCREW	6	M4 x 10mm

FIG. 5 FUEL TANK

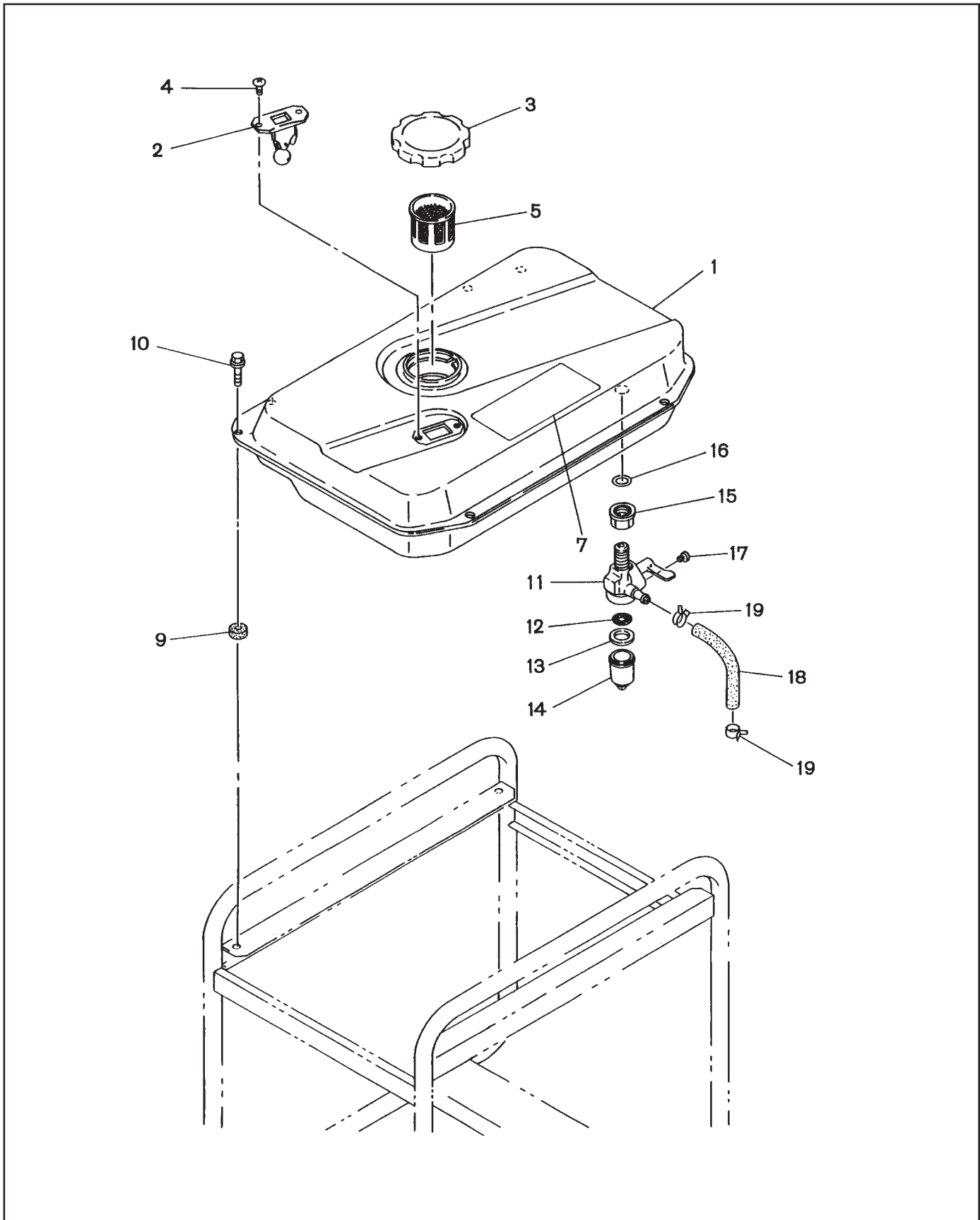


FIG. 5 FUEL TANK

REF	PART NUMBER	DESCRIPTION	QTY	REMARKS
1	31B-36001-01	FUEL TANK, compl.	1	
2	064-80005-00	FUEL GAUGE, compl.	1	
3	043-05900-10	FUEL TANK CAP, compl.	1	
4	014-50500-40	SCREW (counter head)	2	
5	064-15400-11	FUEL FILTER	1	
7	388-93003-03	LABEL (caution)	1	
9	391-39000-13	RUBBER (tank)	4	
10	011-00602-20	FLANGE BOLT	4	
*11	064-20084-00	FUEL STRAINER ASS'Y	1	Includes items 12 and 17
12	064-20042-20	FILTER	1	
13	064-20064-10	PACKING	1	
14	064-20078-10	CUP	1	
15	064-20042-60	NUT	1	
16	243-66506-08	PACKING	1	
17	064-20047-90	SCREW (pan head)	2	
18	269-68002-03	RUBBER PIPE	1	ø6 x ø12 x 140mm
19	056-11100-20	HOSE CLAMP	2	

FIG. 6 MUFFLER

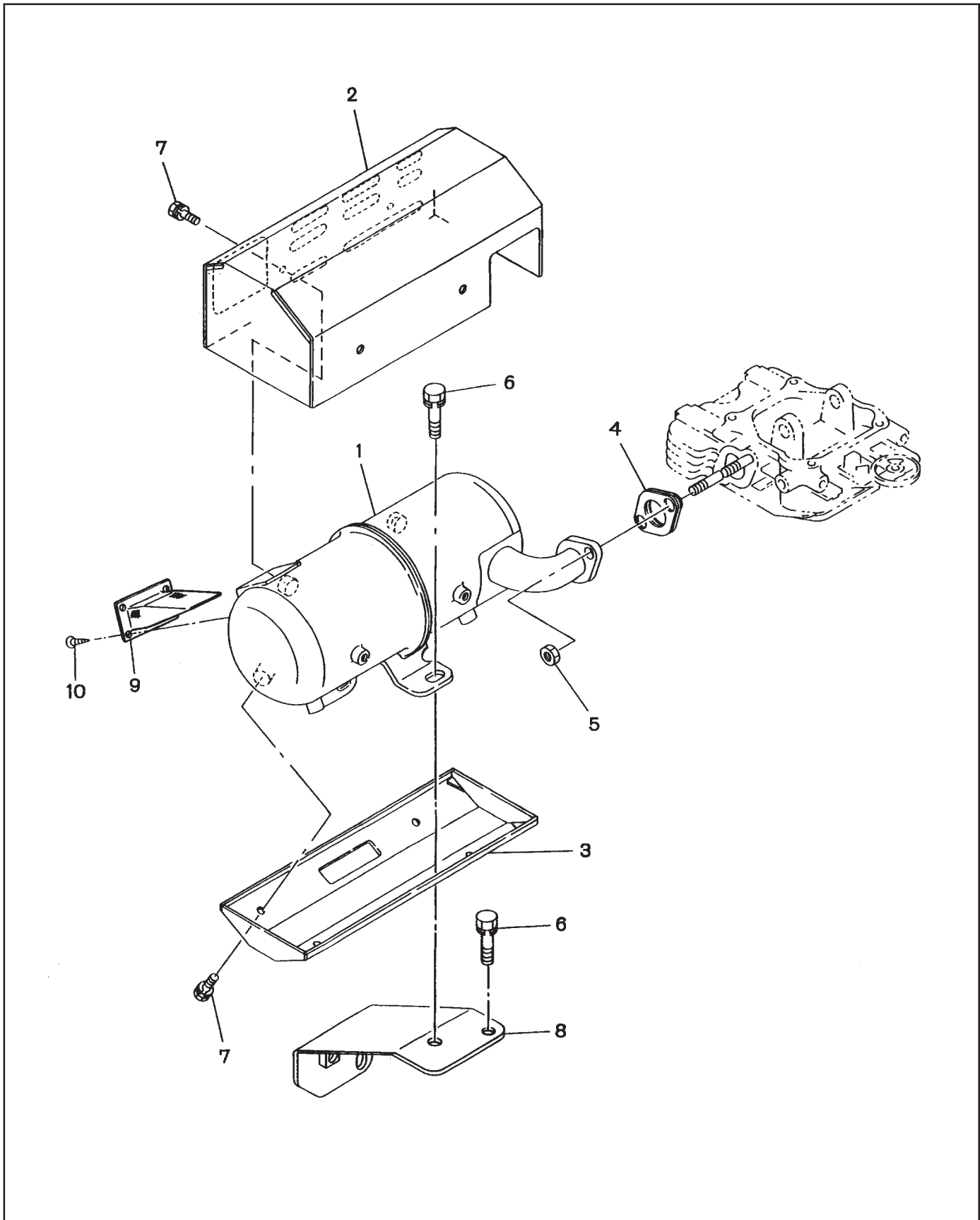


FIG. 7 CRANKCASE

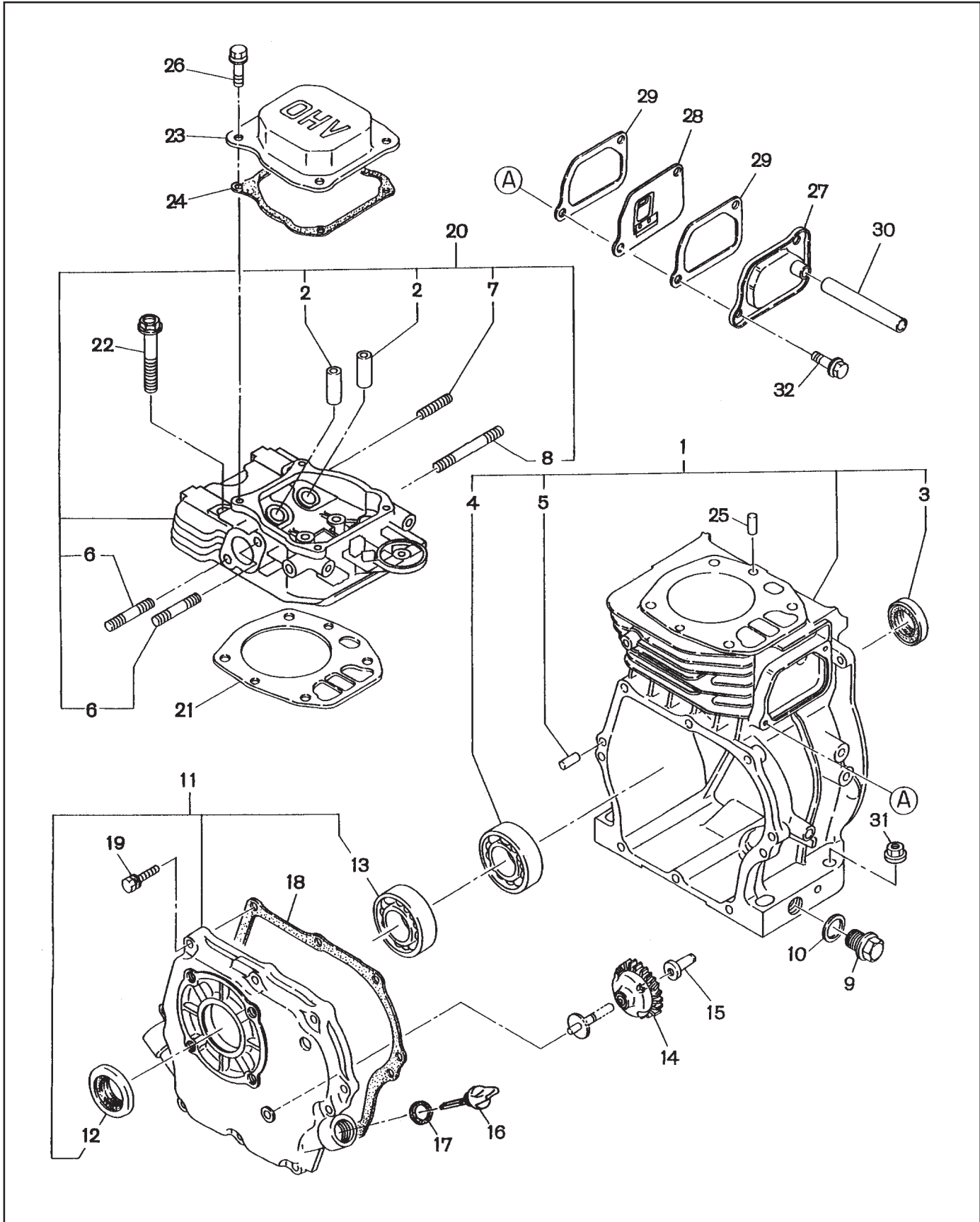


FIG. 7 CRANKCASE

REF	PART NUMBER	DESCRIPTION	QTY	REMARKS
*1	269-10101-01	CRANKCASE, compl.	1	Includes items 3 thru 5
2	237-14202-03	VALVE GUIDE (OVER SIZE)	2	
3	044-02500-70	OIL SEAL	1	25ø x 38ø X 7mm
4	060-02500-10	BALL BEARING	1	BB6205C3
5	031-00600-20	DOWEL PIN	2	
6	010-50802-90	STUD	2	
7	010-50601-31	STUD	1	
8	001-39066-00	STUD	1	
9	040-11400-30	PLUG	2	
10	021-11400-20	GASKET	2	
*11	253-11013-01	MAIN BEARING COVER, compl.	1	Includes items 12 and 13
12	044-02501-60	OIL SEAL	1	25ø x 41.24ø x 7mm
13	060-02500-10	BALL BEARING	1	BB6205C3
14	227-45003-01	GOVERNOR GEAR, compl.	1	
15	205-41901-03	GOVERNOR SLEEVE	1	
16	269-63601-03	OIL GAUGE	1	
17	021-31600-20	GASKET	1	
18	253-16002-03	GASKET (bearing cover)	1	
19	013-00600-40	BOLT and WASHER ASS'Y	8	
*20	269-13001-01	CYLINDER HEAD, compl.	1	Includes items 2 and 6 thru 8
21	253-15001-23	GASKET (head)	1	
22	011-00801-00	FLANGE BOLT	4	
23	253-15501-03	ROCKER COVER	1	
24	269-16004-03	GASKET (rocker cover)	1	
25	031-00600-20	DOWEL PIN	2	
26	011-00600-20	FLANGE BOLT	4	
27	253-14301-11	BREATHER COVER, compl.	1	
28	253-14401-11	BREATHER PLATE, compl.	1	
29	253-16006-33	GASKET (breather cover)	2	
30	085-10800-00	RUBBER PIPE	1	8ø x 11ø x 75mm
31	002-38080-00	FLANGE NUT	2	
32	011-00600-30	FLANGE BOLT	2	
*	253-99001-07	GASKET SET (STD.)	1	

FIG. 8 CRANKSHAFT and PISTON

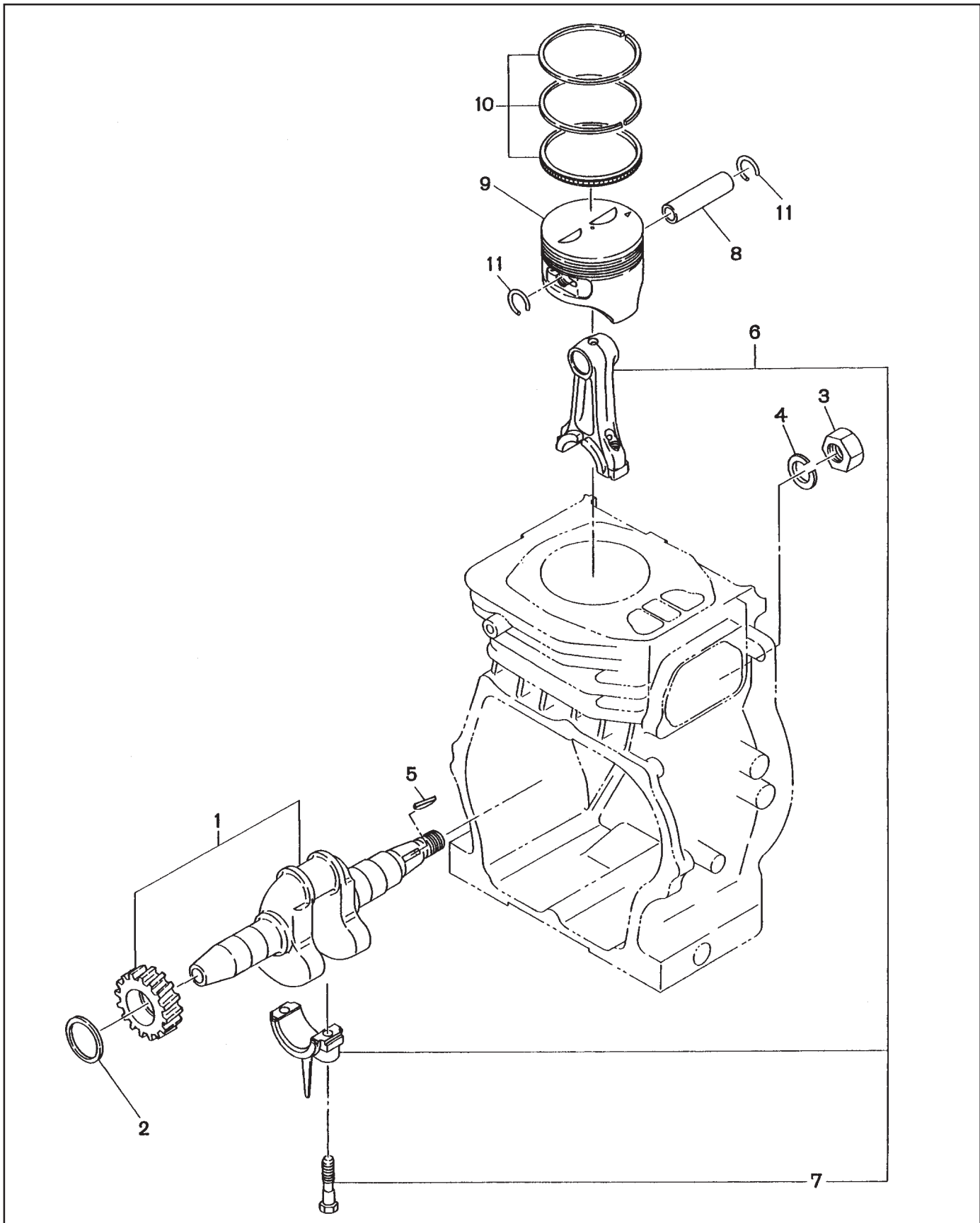


FIG. 8 CRANKSHAFT and PISTON

REF	PART NUMBER	DESCRIPTION	QTY	REMARKS
1	253-20701-01	CRANKSHAFT, compl.	1	
2	023-02501-10	SPACER (t=0.6)	1	select one piece only
2	023-02501-20	SPACER (t=0.8)	1	select one piece only
2	023-02501-30	SPACER (t:=1.0	1	select one piece only
3	002-18140-00	NUT	1	
4	003-20140-00	SPRING WASHER	1	
5	032-30300-10	WOODRUFF KEY	1	
*6	253-22501-20	CONNECTING ROD ASS'Y	1	Includes item 7
7	251-23001-03	CONNECTING ROD BOLT	2	
8	269-23301-03	PISTON PIN	1	
9	269-23401-03	PISTON (For STD.)	1	
9	269-23402-03	PISTON	1	over size 0.25mm
9	269-23403-03	PISTON	1	over size 0.50mm
10	253-23501-17	PISTON RING SET (For STD.)	1	
10	253-23502-17	PISTON RING SET	1	over size 0.25mm
10	253-23503-17	PISTON RING SET	1	over size 0.50mm
11	056-51600-10	CLIP	2	

FIG. 9 INTAKE and EXHAUST

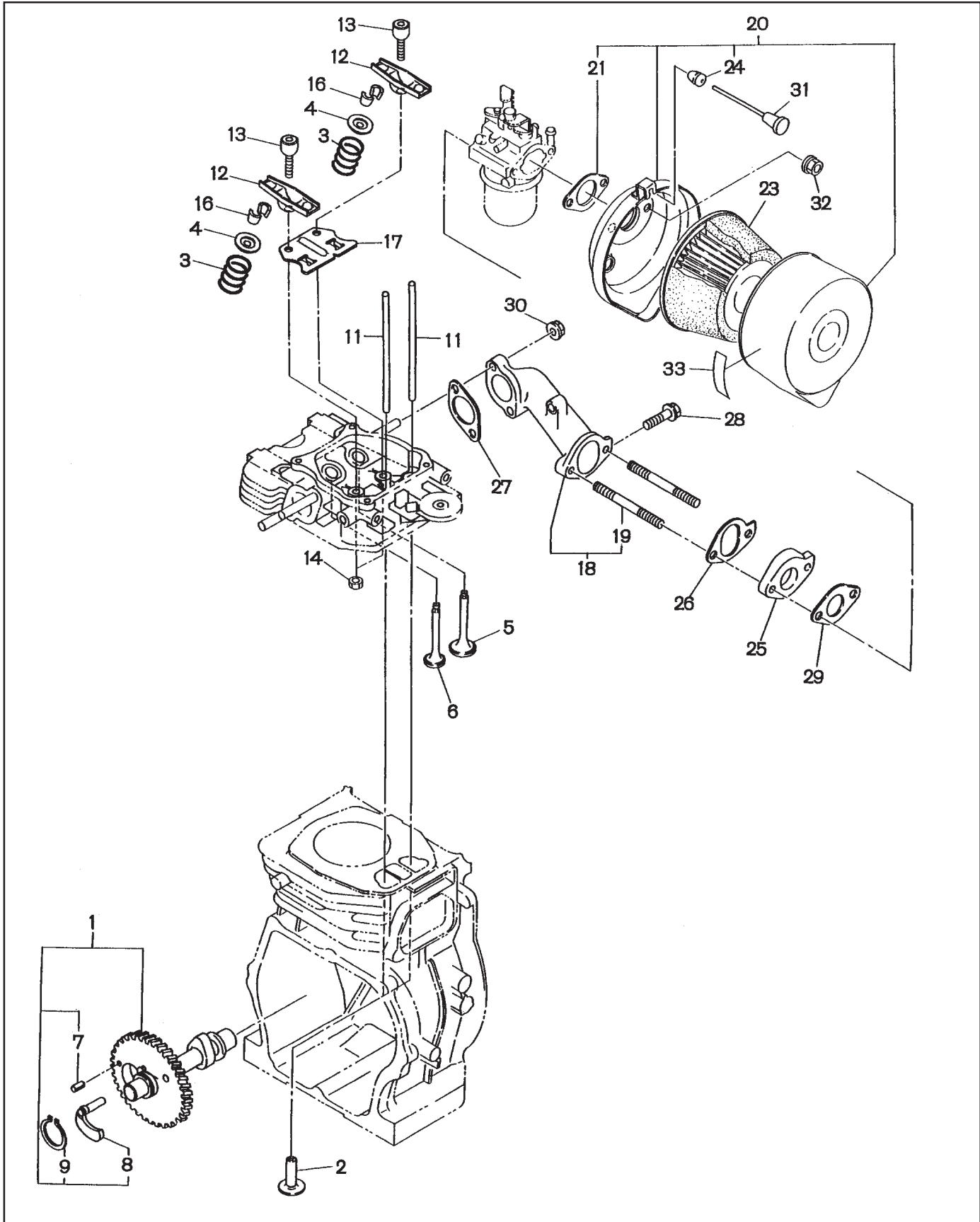


FIG. 9 INTAKE and EXHAUST

REF	PART NUMBER	DESCRIPTION	QTY	REMARKS
*1	253-31701-11	CAMSHAFT, compl.	1	Includes items 7 thru 9
2	239-33301-13	TAPPET	2	
3	253-33601-03	VALVE SPRING	2	
4	132-09KA0-40	RET VALVE SPRING	2	
5	269-33401-03	INTAKE VALVE	1	
6	269-33501-03	EXHAUST VALVE	1	
7	005-19041-00	SPRING PIN	1	
8	227-36401-03	RELEASE LEVER	1	
9	003-15220-00	SNAPRING (outer)	1	
11	269-35301-03	PUSH ROD	2	
12	261-36001-A3	ROCKER ARM	2	
13	269-35801-03	BOLT (Pivot)	2	
14	017-00600-90	NUT	2	
16	132-11KA0-31	COLLET VALVE	4	
17	269-36501-03	GUIDE PLATE	1	
*18	253-33001-01	INTAKE PIPE, compl.	1	Includes item 19
19	010-50602-30	STUD	2	
*20	253-32614-10	AIR CLEANER ASS'Y	1	Includes items 21 thru 24
21	236-32630-08	PACKING	1	
23	227-32610-07	ELEMENT SET	1	
24	207-32690-08	GROMMET	1	
25	253-32901-03	INSULATOR	1	
26	253-35901-03	GASKET 3 (insulator)	1	
27	227-35901-03	GASKET (insulator)	1	
28	011-00601-30	FLANGE BOLT	1	
29	236-35903-03	GASKET 2 (insulator)	1	
30	002-38060-00	FLANGE NUT	2	
31	206-43901-01	KNOB, compl.	1	
32	226-39212-00	NUT and WASHER ASS'Y	2	
33	253-95302-13	LABEL (cleaner ID)	1	

FIG. 10 GOVERNOR, OPERATION

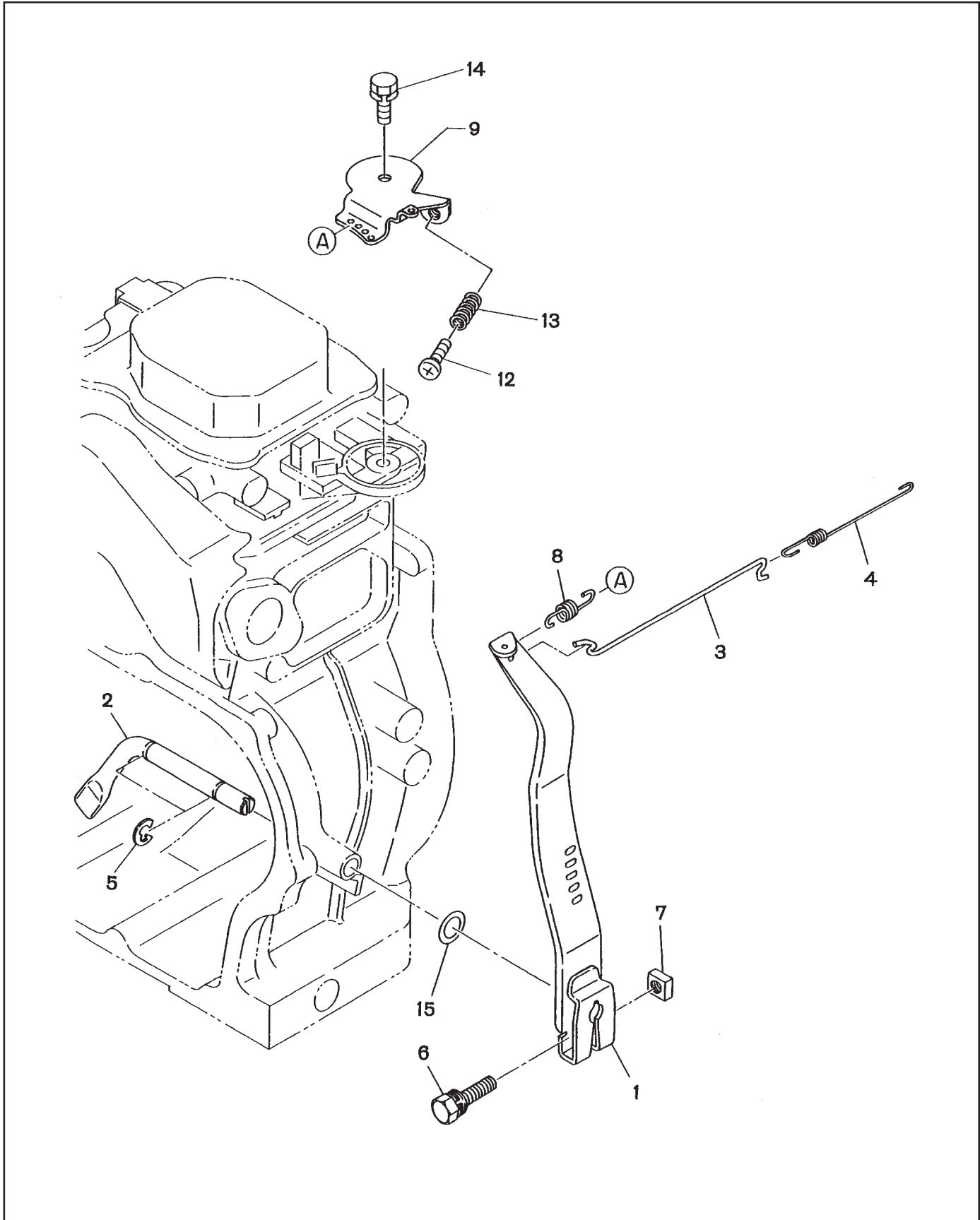


FIG. 11 COOLING and STARTING

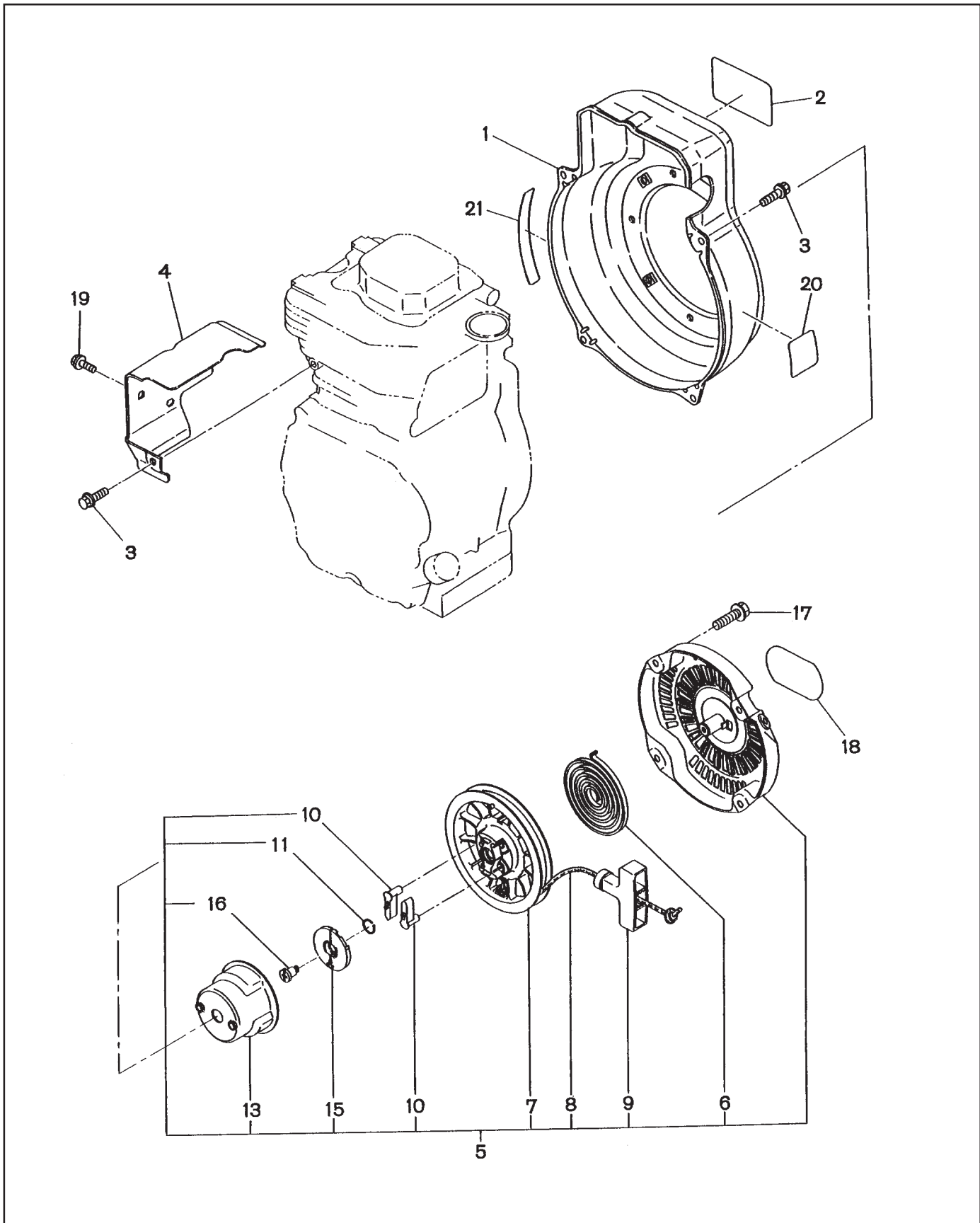


FIG. 11 COOLING and STARTING

REF	PART NUMBER	DESCRIPTION	QTY	REMARKS
1	253-51235-01	BLOWER HOUSING, compl. 2	1	
2	269-91703-03	LABEL(trade mark)	1	
3	011-00600-20	FLANGE BOLT	5	
4	253-52702-03	HEAD COVER	1	
*5	269-50201-00	RECOIL STARTER ASS'Y	1	Includes items 6 thru 16
6	270-50115-08	SPIRAL SPRING	1	
7	269-50120-08	REEL	1	
8	269-50110-08	STARTER ROPE	1	
9	261-50100-08	STARTER KNOB	1	
10	270-50125-08	RATCHET	2	
11	227-50131-08	FRICTION SPRING	1	
13	269-50145-08	STARTER PULLEY	1	
15	270-50261-08	RATCHET GUIDE	1	
16	227-50152-08	SET SCREW	1	
17	011-00600-10	FLANGE BOLT	4	
18	073-20049-50	LABEL (OHV MARK)	1	
19	011-00600-30	FLANGE BOLT	2	
20	073-20039-00	LABEL (warning)	1	
21	253-95201-13	LABEL (emission cont)	1	

FIG. 12 CARBURETOR

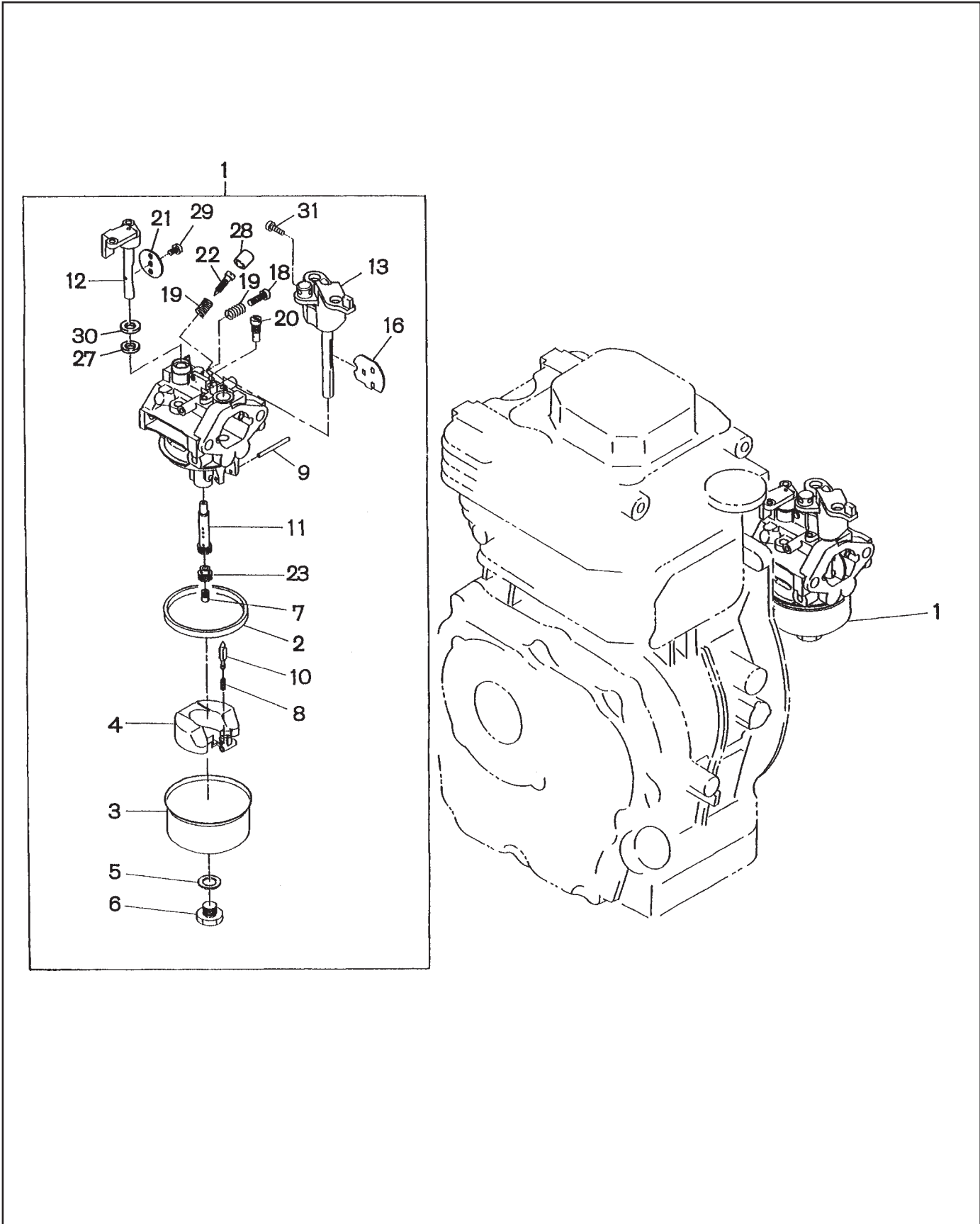


FIG. 12 CARBURETOR

REF	PART NUMBER	DESCRIPTION	QTY	REMARKS
*1	253-62457-00	CARBURETOR ASS'Y	1	Includes items 1 thru 31
2	236-62540-08	PACKING (chamber)	1	
3	236-62551-08	FLOAT CHAMBER	1	
4	236-62505-08	FLOAT	1	
5	236-62450-08	PACKING	1	
6	236-62451-08	BOLT	1	
7	253-62401-08	MAIN JET (#73.8)	1	
8	236-62445-08	SPRING	1	
9	236-62510-08	FLOAT PIN	1	
10	161-62352-08	NEEDLE VALVE	1	
11	238-62440-08	MAIN NOZZLE	1	
12	253-62533-08	SHAFT ASS'Y (throttle)	1	
13	253-62524-08	CHOKE LEVER	1	
16	253-62525-08	VALVE (choke)	1	
18	246-62435-08	ADJUST SCREW	1	
19	209-62445-08	SPRING	2	
20	253-62420-08	PILOT JET (#52.5)	1	
21	220-62536-08	THROTTLE VALVE (#1 60)	1	
22	246-62436-08	ADJUSTER	1	
23	235-62425-08	GUIDE HOLDER	1	
27	106-62392-08	SEAL	2	
28	246-62551-08	CAP	1	
29	242-62323-08	SCREW	1	
30	253-62355-08	RING	1	
31	253-62352-08	SCREW	1	

FIG. 13 MAGNETO

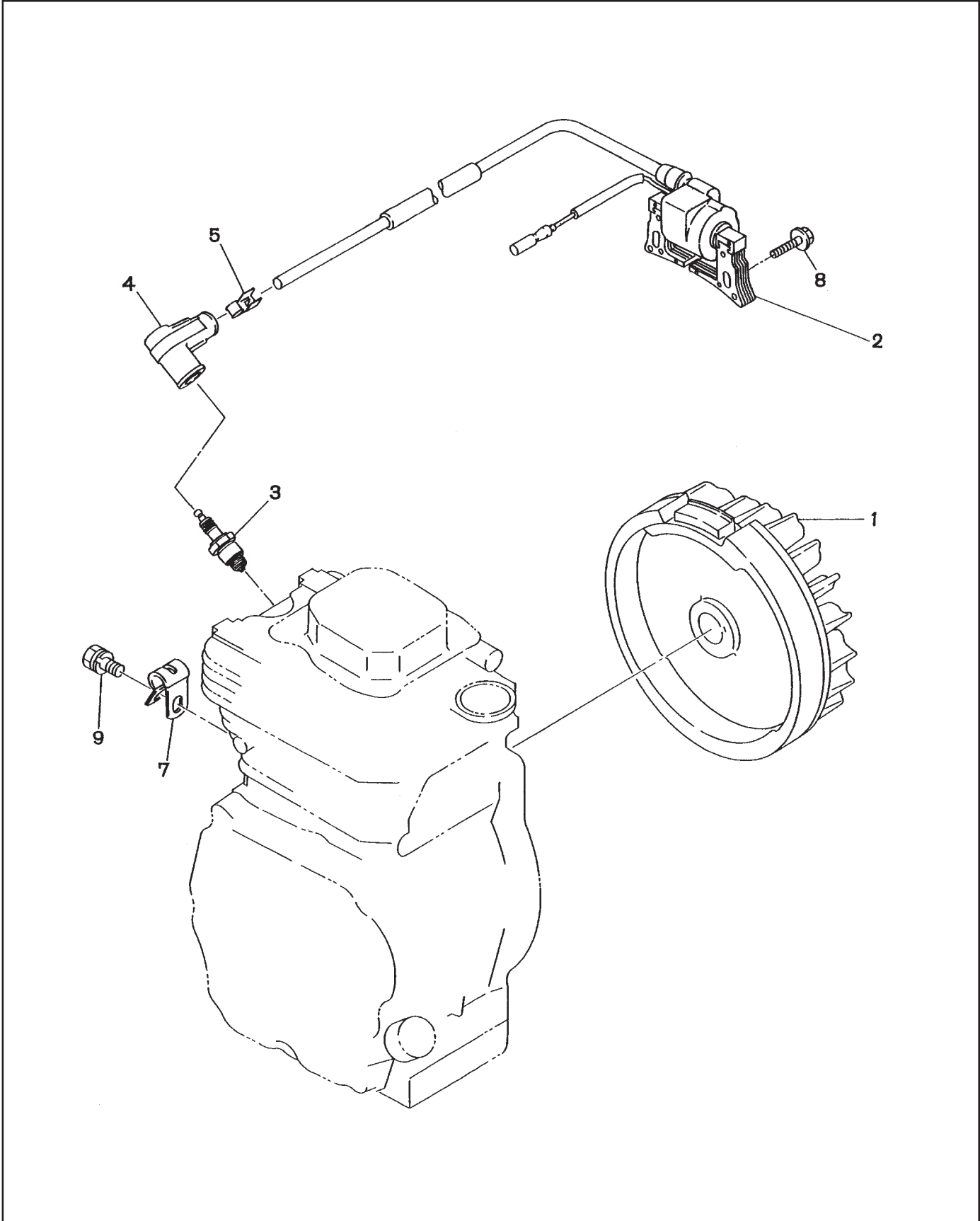
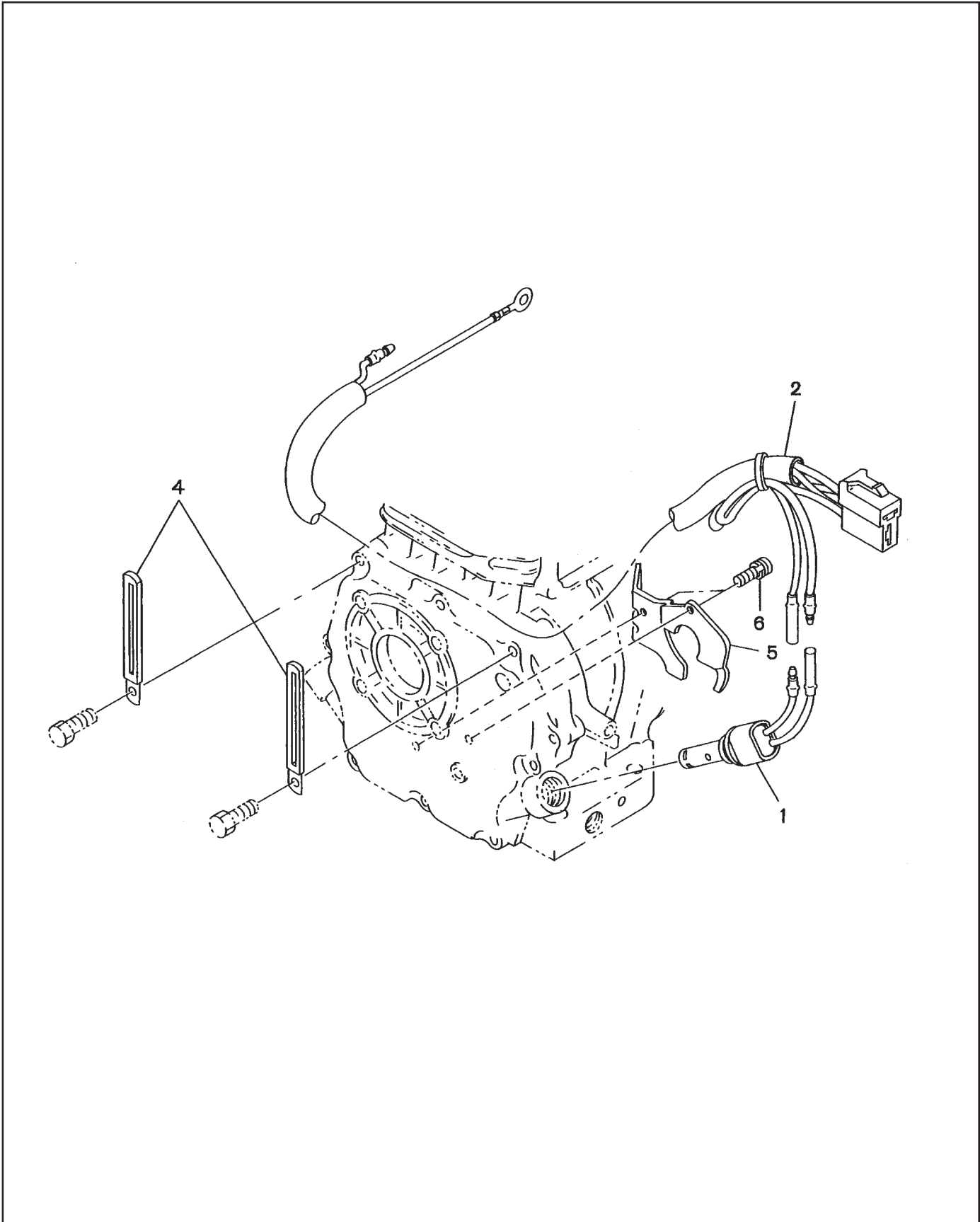


FIG. 14 OIL SENSOR



PRINTED IN THE USA