

PARTS MANUAL

Model

EY15

ENGINE

PUB-EP5657A
Rev. 04/00

Robin America, Inc.

940 Lively Blvd. • Wood Dale, IL 60191 • Phone: 630-350-8200 • Fax: 630-350-8212
e-mail: sales@robinamerica.com • www.robinamerica.com

© Copyright 2000 Robin America, Inc.

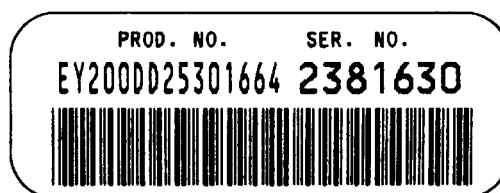
HOW TO USE THIS MANUAL

Robin engines are identified by MODEL, SPECIFICATION, and CODE NUMBER. For each model there may be many different versions called specifications. Each specification will be unique in some way. The difference may only be the paint color or it may have a different type of PTO or some other significant difference.

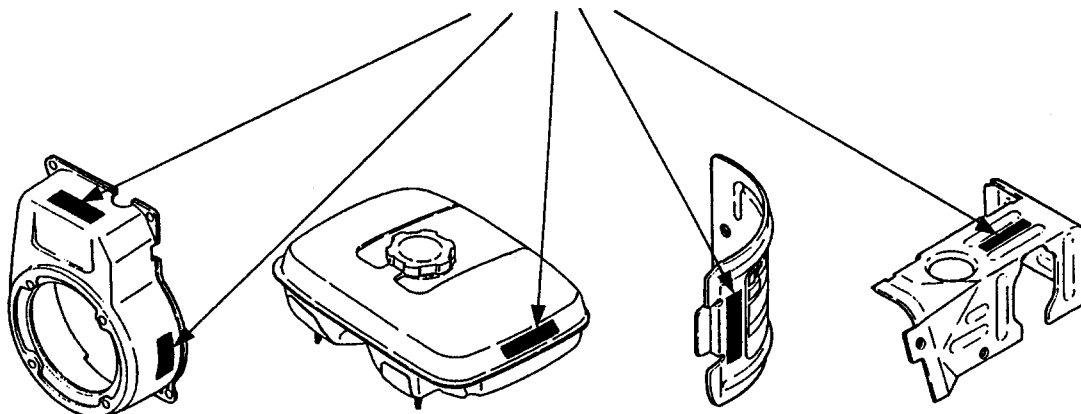
In order to identify the correct service part number, it is important to confirm the specification and code numbers for your engine. The specification and code number together are known as the PRODUCT NUMBER.

All Robin 4 cycle engines have a Product Number label similar to the label illustrated below.

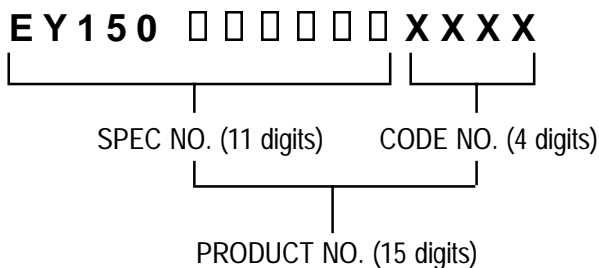
PRODUCT NUMBER LABEL



PRODUCT NUMBER LABEL LOCATIONS



The Product Number Label has a 15 digit alphanumeric string that consists of the SPECIFICATION (SPEC) number (11 digits) and the CODE number (4 digits). Please note the illustration below:



MANUAL LAYOUT

1 — SECTION 6 **FUEL GROUP**

2 — FIG. 600

3

4

5

6

7

8

9

REF.	PART NO.	DESCRIPTION	QTY.	REMARKS	FROM-TO	FIG.
10	267-60103-01	FUEL TANK CP	1	YD, YS TYPE, BLACK	2101 -	600
3	267-60101-01	FUEL TANK CP	1	YELLOW	- 2100	600
27	073-20039-00	LABEL, WARNING	1	YD, YS TYPE		600
30	043-04300-15	FUEL TANK CAP CP	1			600
5	31	267-95201-03	1	YD, YS TYPE		600
40	064-13600-10	FUEL FILTER	1			600
50	064-20021-01	FUEL STRAINER AY	1			600
-1	064-20002-20	FILTER	1			600
-2	064-20002-30	GASKET	1			600
-3	064-20019-10	CUP	1			600
-4	064-20003-20	NUT	1			600

1. SECTION NAME Parts are broadly classified according to their functions. Refer to the Group Index (table of contents) for respective section name.
2. FIG. No. The FIG. number indexes the reference and part numbers to the illustration. Figure numbers that vary only in the tens place (i.e.: 700 and 710) are in a group of the same section (i.e.:Electrical Device Group).
3. REF. No . The Reference number identifies the part illustration with the corresponding part number in the part list.
4. SUBASSEMBLY SUBASSEMBLY parts of part assembly are listed below the assembly part. The subassembly part reference number is indicated by the number led by "-" such as "-1", "-2".
5. PART NUMBER It is the number assigned for sales unit. Use the PART No. when making an order.
6. DESCRIPTION It is designation of the part.
7. QTY. Quantity of each part used for each product.
8. REMARKS This gives a distinctive feature and/or a supplementary comment for the type, the specification, and the part concerned. It also shows part number(s) interchangeable for the part.
9. FROM-TO This section shows the CODE No. to indicate the history of progress in which improved parts have been introduced in the product. The FROM-TO CODE No. helps to identify PART No. being employed in the product concerned. See the examples below:
 - The part is used in the product irrespective of CODE No.
 - 2101- The part is used in the products with CODE No. of 2101 and after this number.
 - 2100 The part is used in the products with CODE No. of 2100 and before this number.

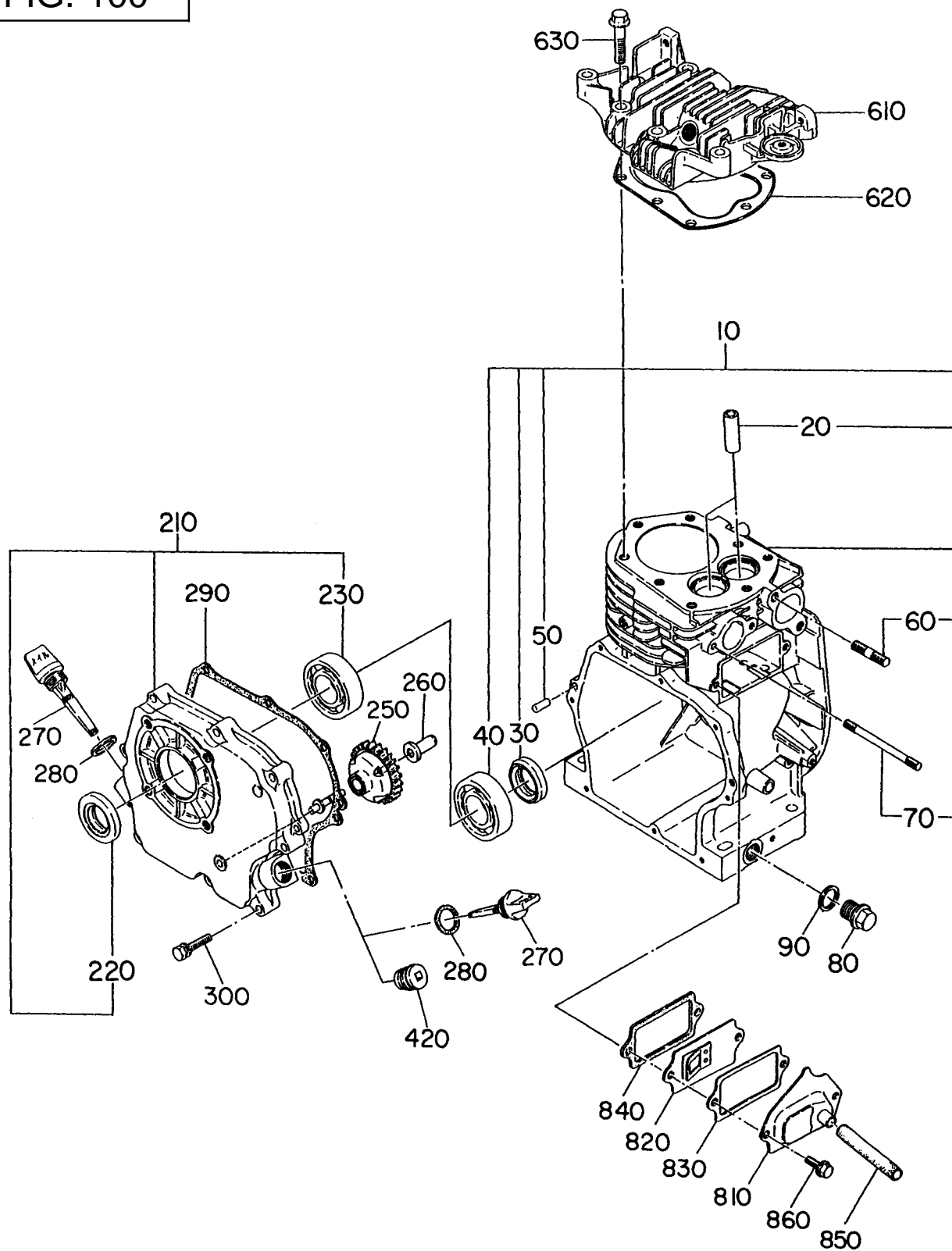
GROUP INDEX

Group Name	Page
CRANKCASE GROUP	6
CRANKSHAFT GROUP	8
INTAKE and EXHAUST GROUP	10
GOVERNOR GROUP	14
COOLING and STARTING GROUP	18
FUEL, LUBRICANT GROUP	22
CARBURETOR GROUP	24
ELECTRIC DEVICE GROUP	26
OIL SENSOR	30
6:1 REDUCTION	34

INDEX OF DESCRIPTION SYMBOLS			
SYMBOL	DESCRIPTION	SYMBOL	DESCRIPTION
AY	ASSEMBLY	P=	PITCH (in mm)
CP	COMPLETE	P.T.O. (PTO)	POWER TAKE OFF
EX	EXPORT (from Japan)	REF.	REFERENCE
FIG.	FIGURE	R.H. (RH)	RIGHT HAND SIDE
FR.	FRONT	RR.	REAR
"	INCH	STD.	STANDARD
INCL.	INCLUDE	SW	SWITCH
~L	LITER	T=	THICKNESS (in mm)
L=	LENGTH (in. mm)	UN	UNIT
L.H. (LH)	LEFT-HAND SIDE	U.S.	UNDER SIZE
MECH	MECHANICAL	~V	VOLTAGE
NO (NON)	NONE	~W	WATT
OPT.	OPTIONAL	W/	WITH
O.S.	OVER SIZE	W/O	WITHOUT

SECTION 1 CRANKCASE GROUP

FIG. 100



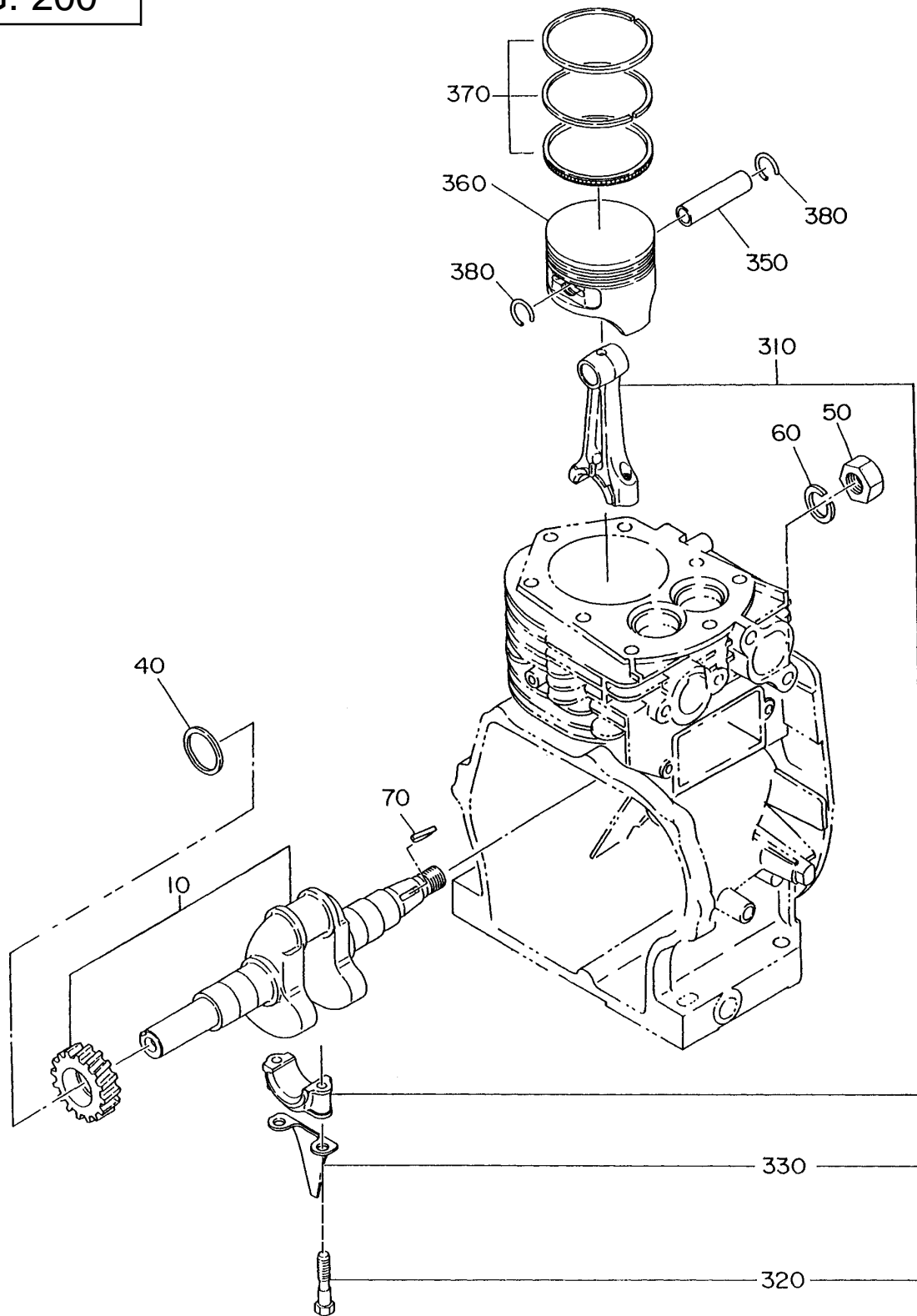
SECTION 1 CRANKCASE GROUP

REF.	PART NO.	DESCRIPTION	QTY.	REMARKS	FROM-TO	FIG.
10	226-10101-21	CRANKCASE CP	1			100
20	227-14202-03	VALVE GUIDE	2			100
30	044-02501-50	OIL SEAL	1			100
40	060-02500-10	BALL BEARING	1			100
50	031-00600-20	DOWEL PIN	2			100
60	010-50802-50	STUD	2			100
70	010-50601-20	STUD	2			100
80	040-11400-30	PLUG	2			100
90	021-11400-20	GASKET	2			100
210	227-11001-31	MAIN BEARING COVER	1			100
220	044-02501-60	OIL SEAL	1			100
230	060-02500-10	BALL BEARING	1			100
250	227-45003-01	GOVERNOR GEAR CP	1			100
260	205-41901-03	GOVERNOR SLEEVE	1			100
270	227-63601-03	OIL GAUGE	2			100
280	021-31600-20	GASKET	2			100
290	227-16001-03	GASKET, mainbearing cover	1			100
300	013-00600-40	BOLT and WASHER AY	8			100
420	042-01800-10	RUBBER PLUG	1			100
610	226-13001-13	CYLINDER HEAD	1			100
620	226-15001-11	GASKET, head	1			100
630	011-00800-10	FLANGE BOLT	8			100
810	227-14301-01	TAPPET COVER CP	1			100
820	227-14401-01	BREATHER PLATE CP	1			100
830	227-16006-03	GASKET, tappet cover	1			100
840	227-16007-03	GASKET, breather plate	1			100
850	085-10800-00	RUBBER PIPE	1	8 x 11 x M		100
860	011-00600-20	FLANGE BOLT	2			100
*960	226-99001-07	GASKET SET	1			100

*** Gasket Set 226-99001-07 includes the following:**
Fig 100 items 290, 620, 830 and 840
Fig. 300 items 340, 550 and 560
Fig. 310 item 510-2

SECTION 2 CRANKSHAFT GROUP

FIG. 200

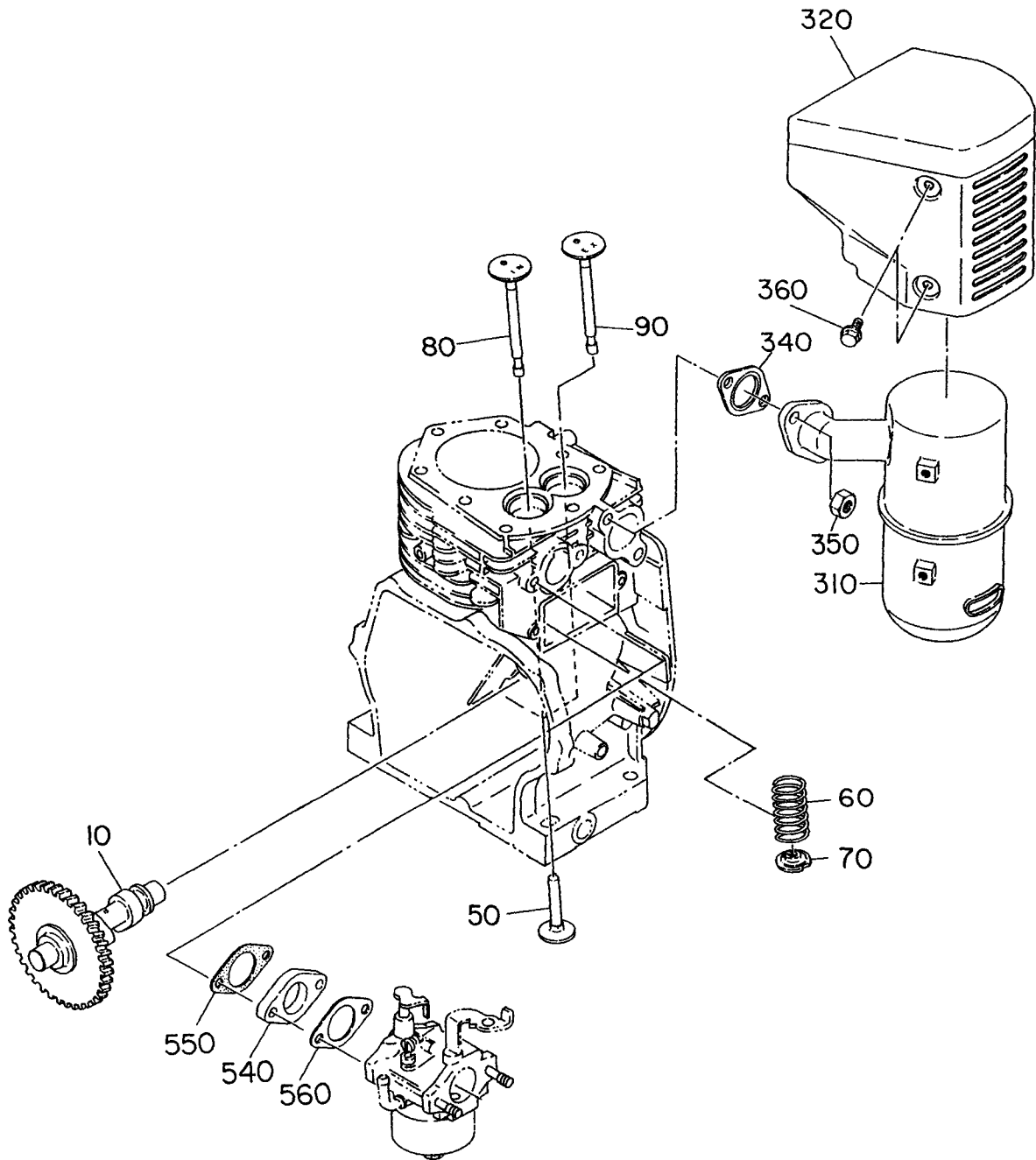


SECTION 2 CRANKSHAFT GROUP

REF.	PART NO.	DESCRIPTION	QTY.	REMARKS	FROM-TO	FIG.
10	226-20901-51	CRANKSHAFT	1	3/4" key - 5/16 tap		200
	226-20903-01	CRANKSHAFT	1	5/8" key - 1/4 tap		200
	226-21002-51	CRANKSHAFT	1	SAE Pump		200
	226-21201-51	CRANKSHAFT	1	SAE Taper		200
	226-20201-51	CRANKSHAFT	1	Metric Keyed, 18mm		200
	226-20301-51	CRANKSHAFT	1	Metric Pump		200
	226-20202-51	CRANKSHAFT	1	Metric Taper		200
40	023-02501-10	SPACER , T=0.6	1	Select one piece only		200
	023-02501-20	SPACER, T=0.8	1	Select one piece only		200
	023-02501-30	SPACER, T=1.0	1	Select one piece only		200
50	002-18140-00	NUT	1			200
60	003-20140-00	SPRING WASHER	1			200
70	032-30300-10	WOODRUFF KEY	1			200
310	226-22501-10	CONNECTING ROD AY	1			200
320	226-23001-13	CONNECTING ROD BOLT	2			200
330	226-23101-03	OIL SCRAPER	1			200
350	214-23301-13	PISTON PIN	1			200
360	226-23411-03	PISTON	1	STD		200
	226-23412-03	PISTON	1	0.25 Oversize		200
	226-23413-03	PISTON	1	0.50 Oversize		200
370	226-23511-07	PISTON RING SET	1	STD		200
	226-23512-07	PISTON RING SET	1	0.25 Oversize		200
	226-23513-07	PISTON RING SET	1	0.50 Oversize		200
380	056-51400-10	CLIP	2			200

SECTION 3 INTAKE and EXHAUST GROUP

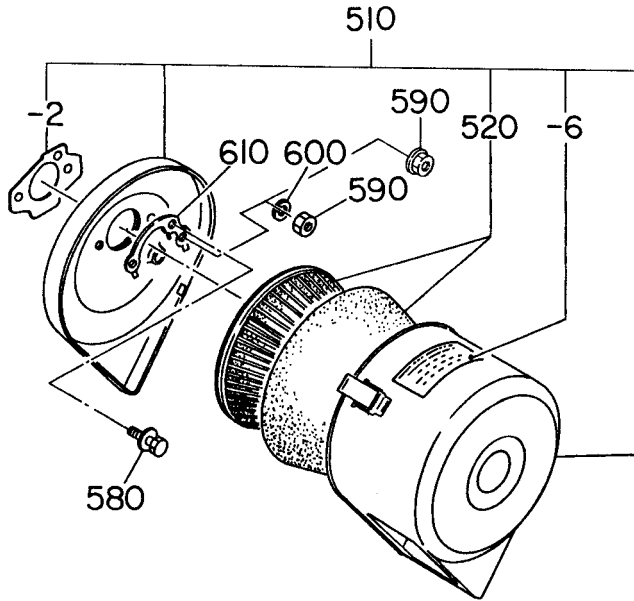
FIG. 300



SECTION 3 INTAKE and EXHAUST GROUP

FIG. 310

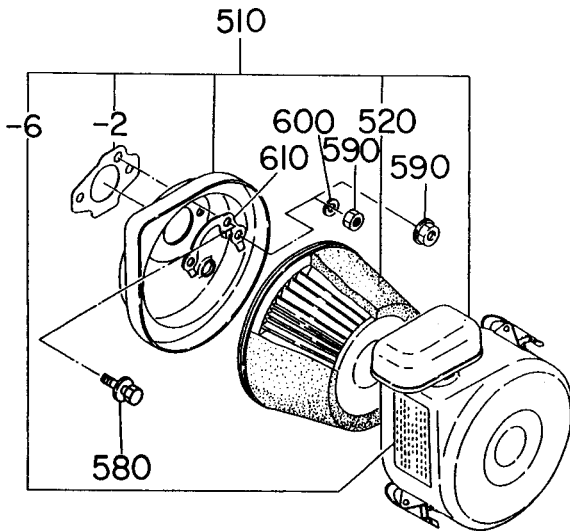
Lower Inlet Cyclone



A

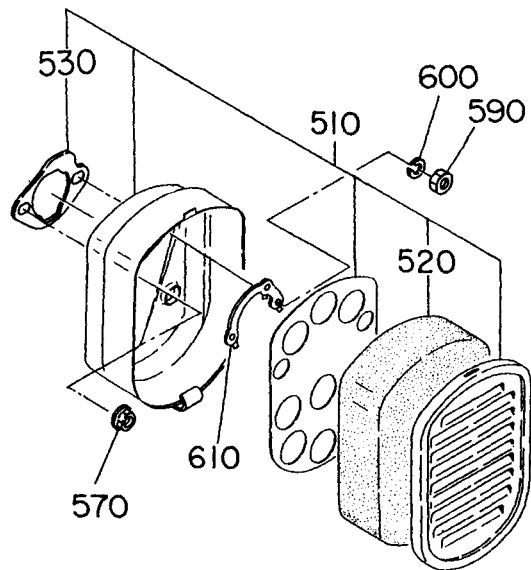
B

Top Inlet Cyclone



C

Foam Element



SECTION 3 INTAKE and EXHAUST GROUP

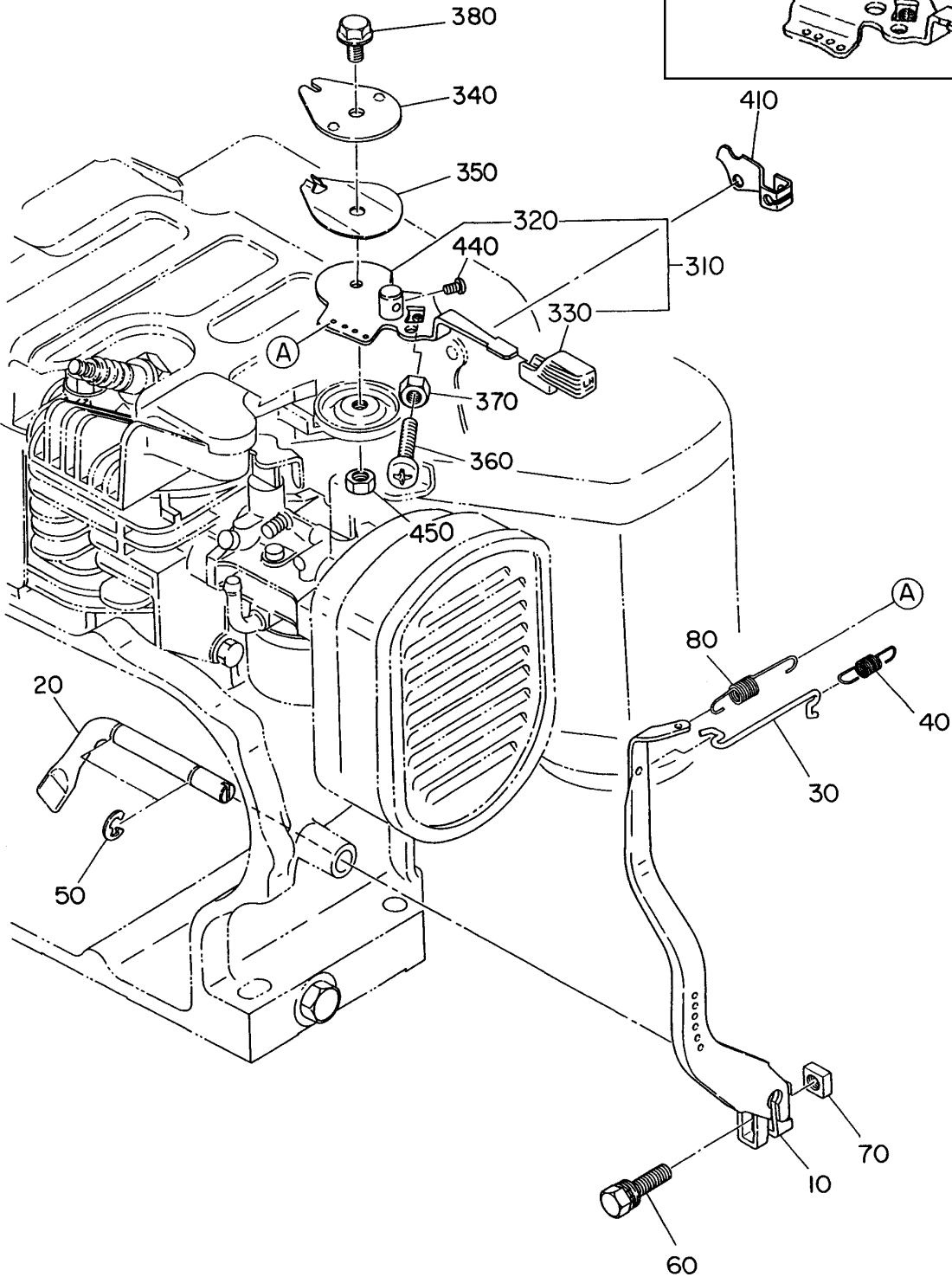
REF.	PART NO.	DESCRIPTION	QTY.	REMARKS	FROM-TO	FIG.
510	226-32612-00	AIR CLEANER AY	1	Lower Inlet		310A
	226-32633-10	AIR CLEANER AY	1	Top Inlet		310B
	227-32603-00	AIR CLEANER AY	1	Foam		310C
-2	226-32720-08	GASKET	1			310
-6	106-32738-08	LABEL	1			310
520	206-32601-07	ELEMENT SET	1	Lower Inlet		310A
	206-32601-07	ELEMENT SET	1	Top Inlet		310B
	227-36002-03	ELEMENT SET	1	Foam		310C
530	227-36003-13	GASKET	1			310C
570	002-38060-00	FLANGE NUT	1			310C
580	001-10061-20	BOLT and WASHER AY	1			310
590	226-39212-00	NUT and WASHER AY	2			310
600	003-20060-00	SPRING WASHER	2			310
610	227-36501-01	LOCK WASHER	1			310
610	205-36011-01	LOCK WASHER	1			310C

SECTION 4 GOVERNOR GROUP

FIG. 400

MANUAL WITH UPPER REMOTE CABLE CONTROL

MANUAL CONTROL ONLY

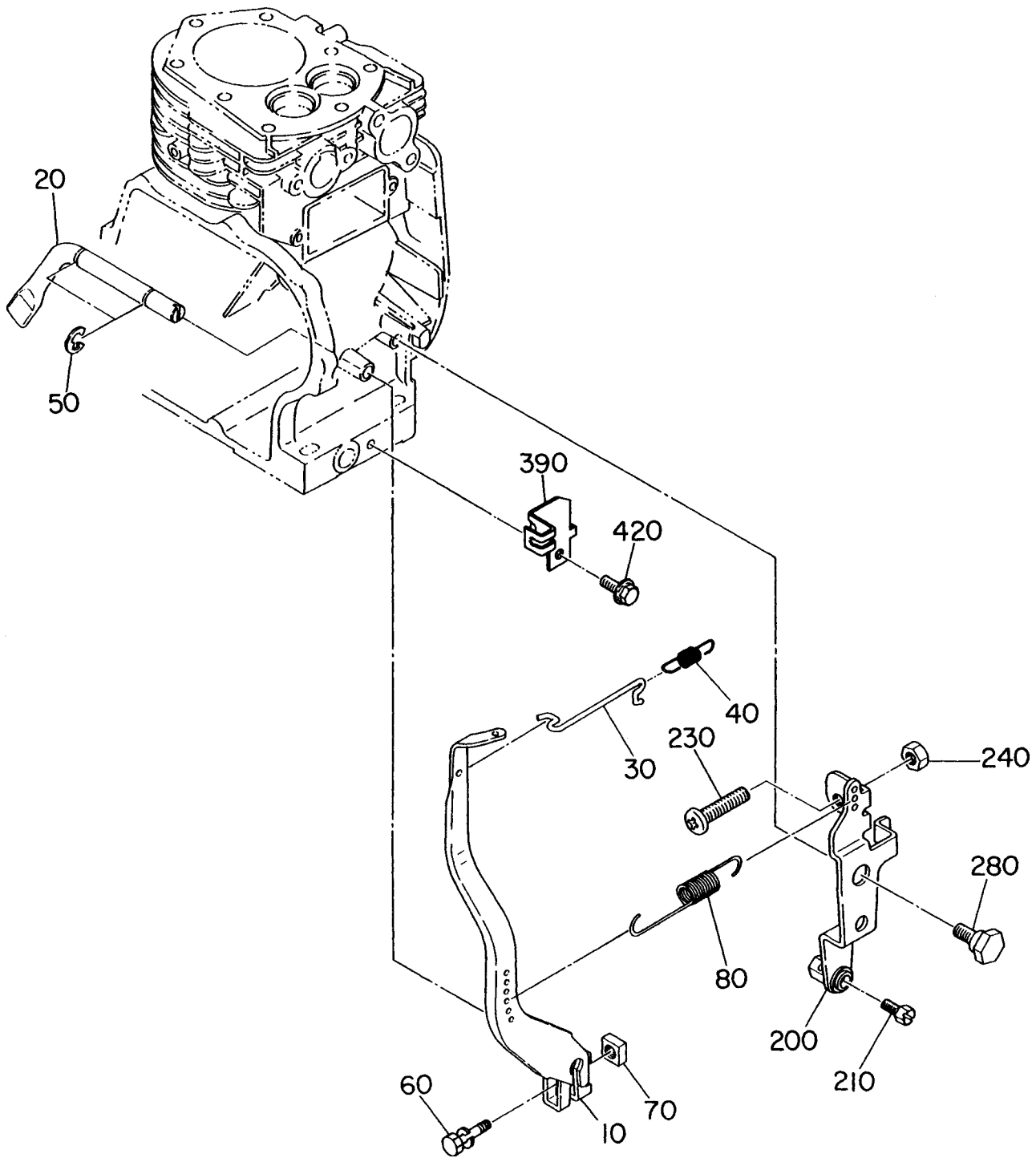


SECTION 4 GOVERNOR GROUP

REF.	PART NO.	DESCRIPTION	QTY.	REMARKS	FROM-TO	FIG.
10	226-42301-11	GOVERNOR LEVER CP	1			400
20	227-42201-03	GOVERNOR SHAFT	1			400
30	227-42701-01	GOVERNOR ROD	1			400
40	227-42801-01	ROD SPRING	1			400
50	003-13060-00	CLIP	2			400
60	001-14062-50	BOLT and WASHER AY	1			400
70	018-60600-20	NUT	1			400
80	226-42501-13	GOVERNOR SPRING	1			400
310	227-43302-20	SPEED CONTROL AY	1			400
320	227-43302-01	SPEED CONTROL	1			400
	227-43301-01	SPEED CONTROL	1	Manual Control Only		400
330	227-43601-03	KNOB	1			400
340	227-43501-13	STOP PLATE	1			400
350	227-45002-03	SPRING WASHER	1			400
360	004-31063-00	SCREW	1			400
370	002-27060-00	NUT	1			400
380	011-00600-30	FLANGE BOLT	1			400
410	227-44203-13	WIRE BRACKET	1			400
440	004-31040-80	SCREW	1			400
450	002-27060-00	NUT	1			400

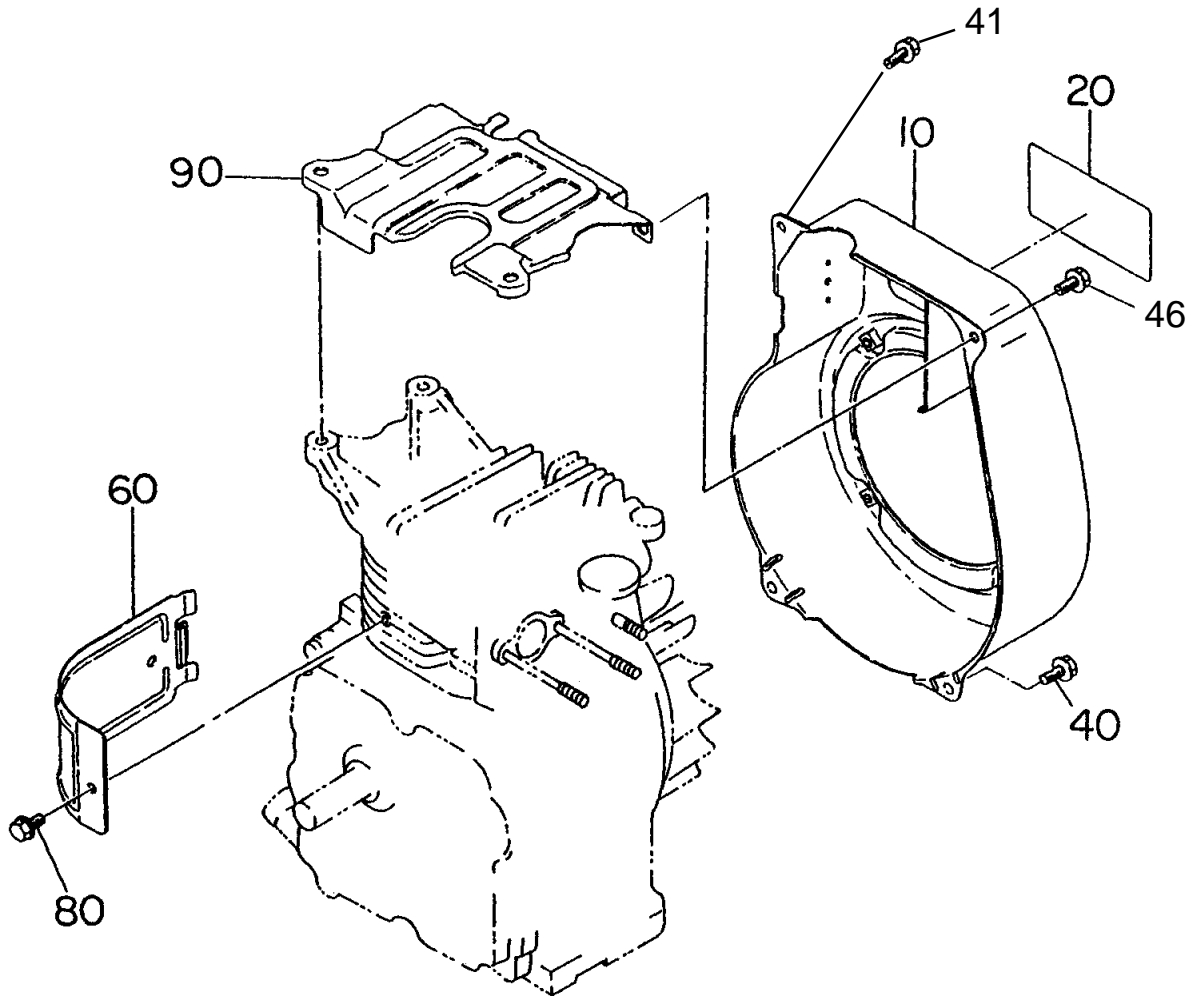
FIG. 410

LOWER REMOTE CABLE CONTROL



SECTION 5 COOLING and STARTING GROUP

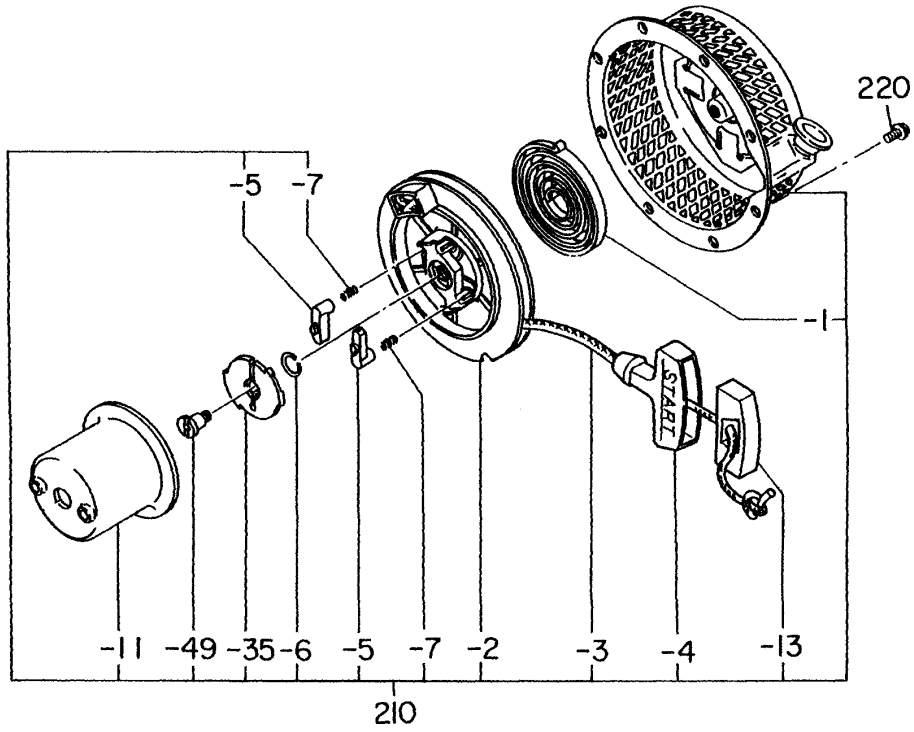
FIG. 500



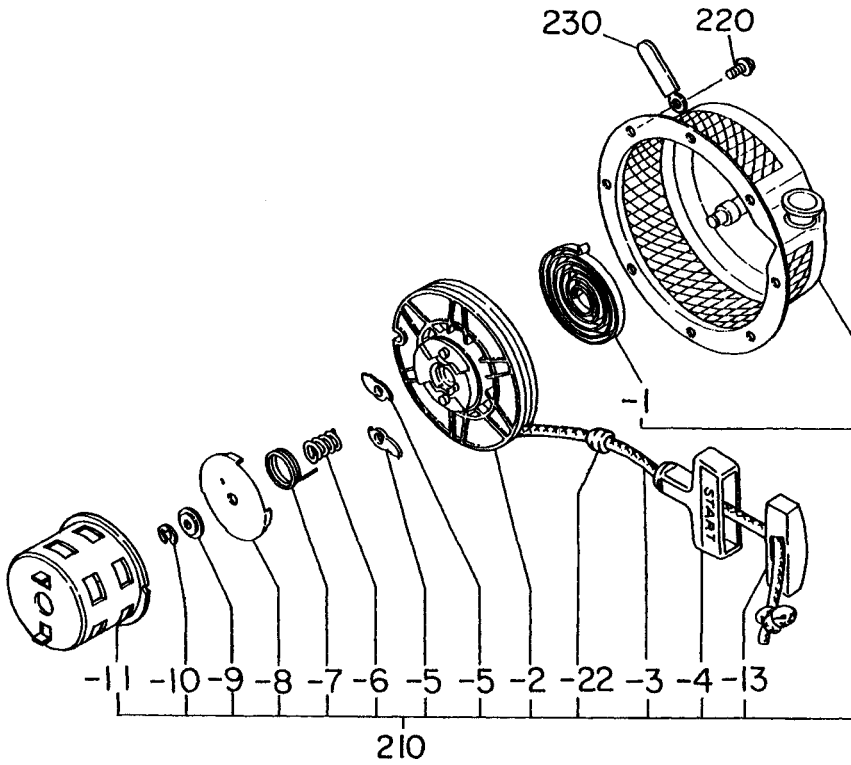
SECTION 5 COOLING and STARTING GROUP

FIG. 510

NEW STYLE

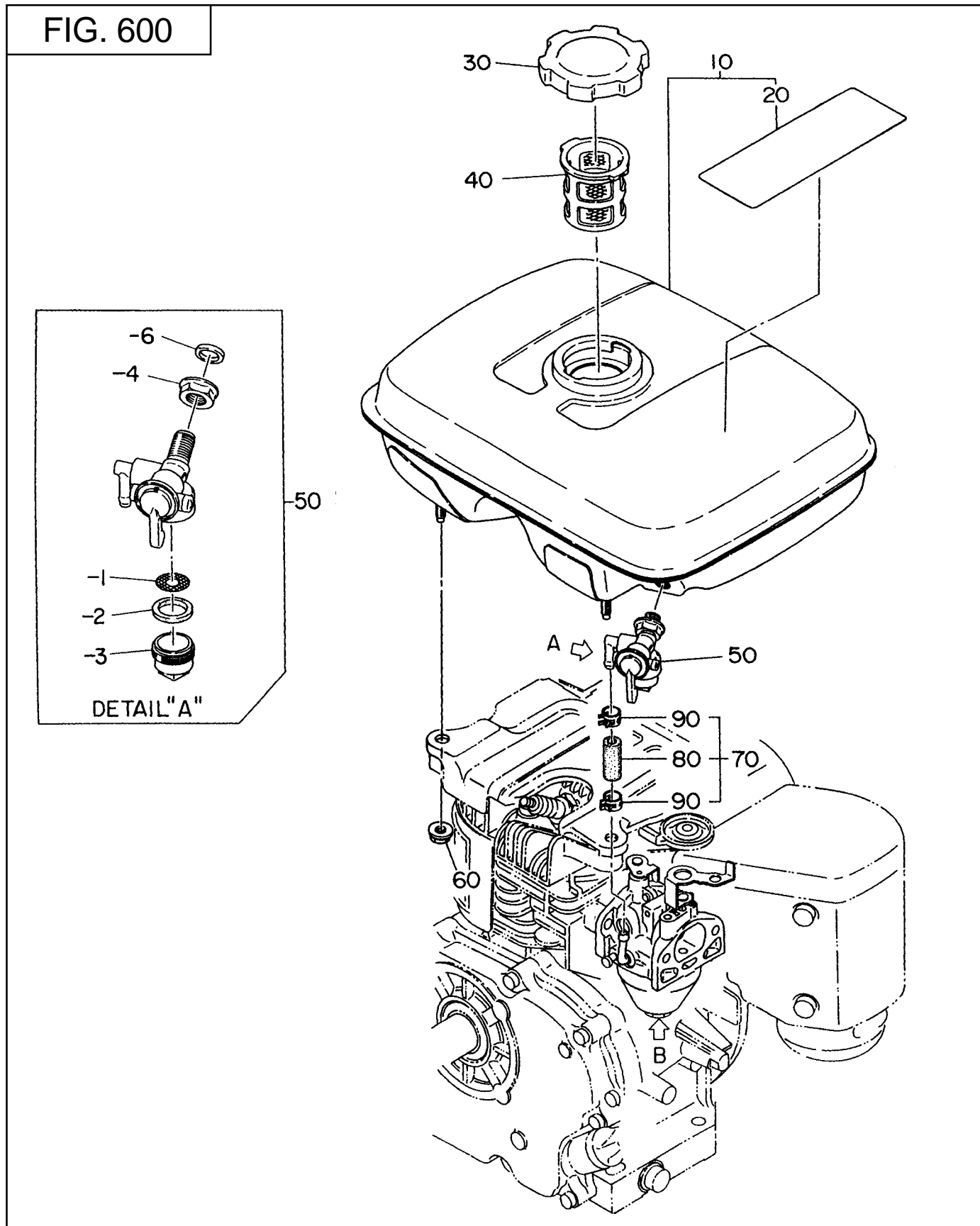


OLD STYLE



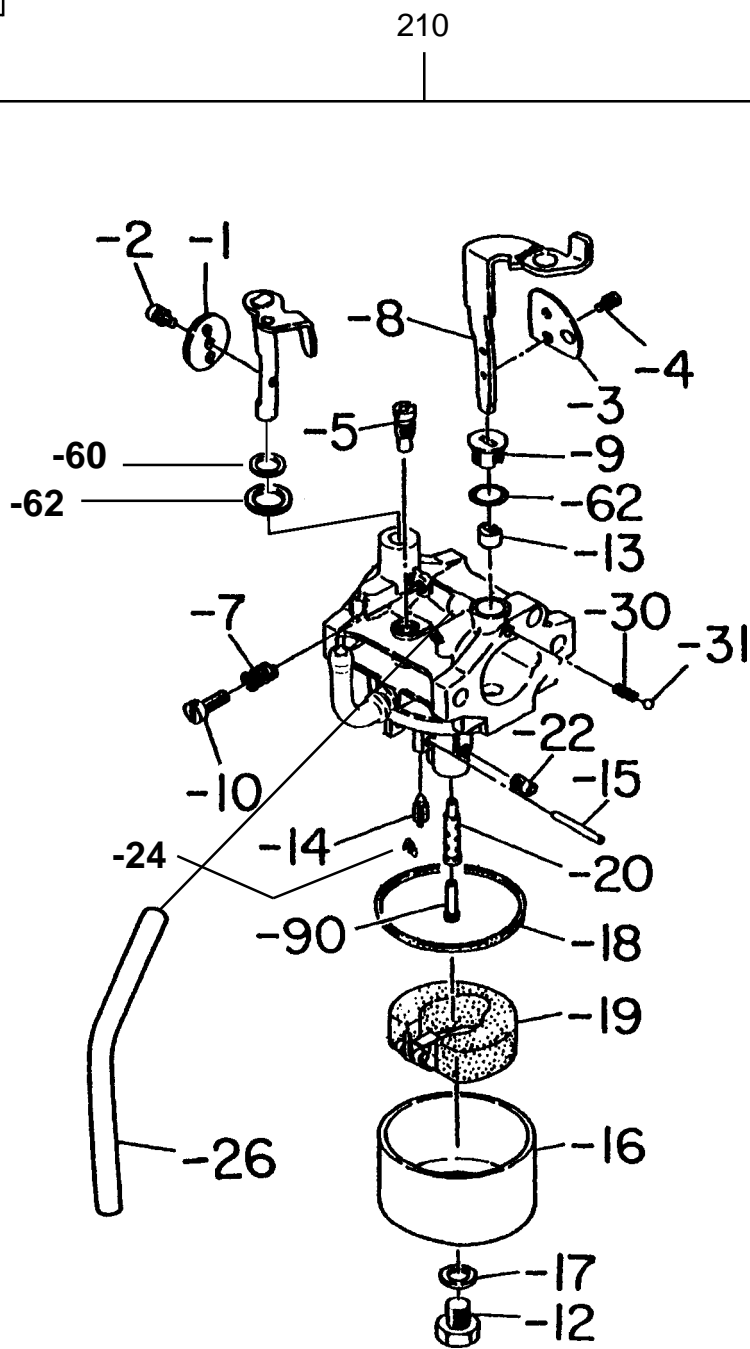
SECTION 6 FUEL, LUBRICANT GROUP

FIG. 600



SECTION 6 FUEL, LUBRICATION GROUP

FIG. 610



SECTION 7 ELECTRIC DEVICE GROUP

FIG. 700

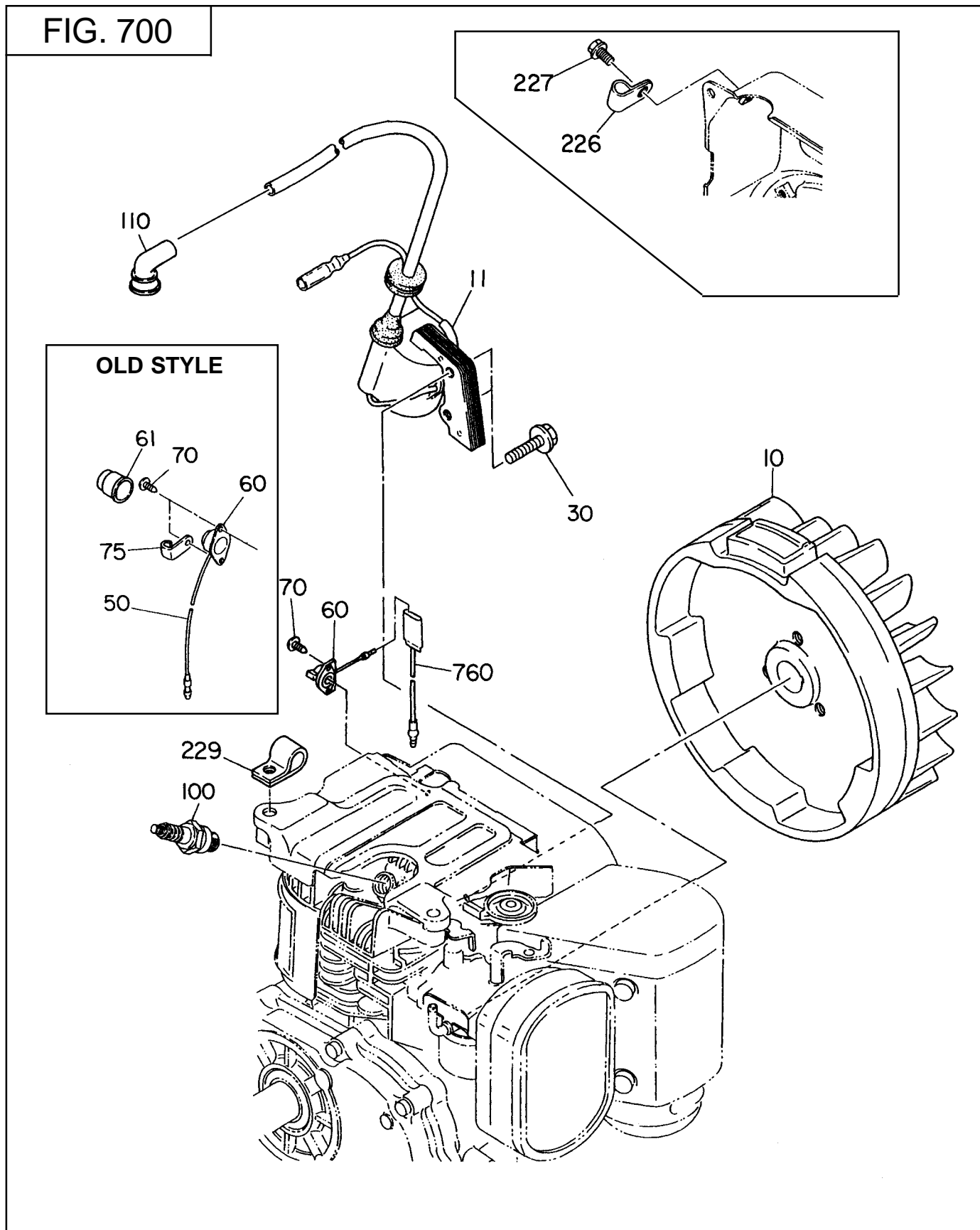


FIG. 710

POINTS and CONDENSER - OLD STYLE

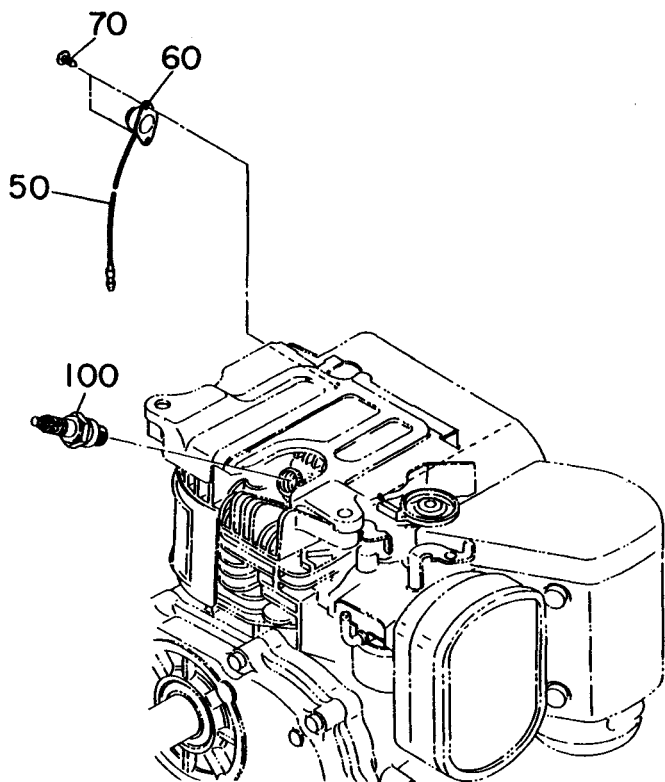
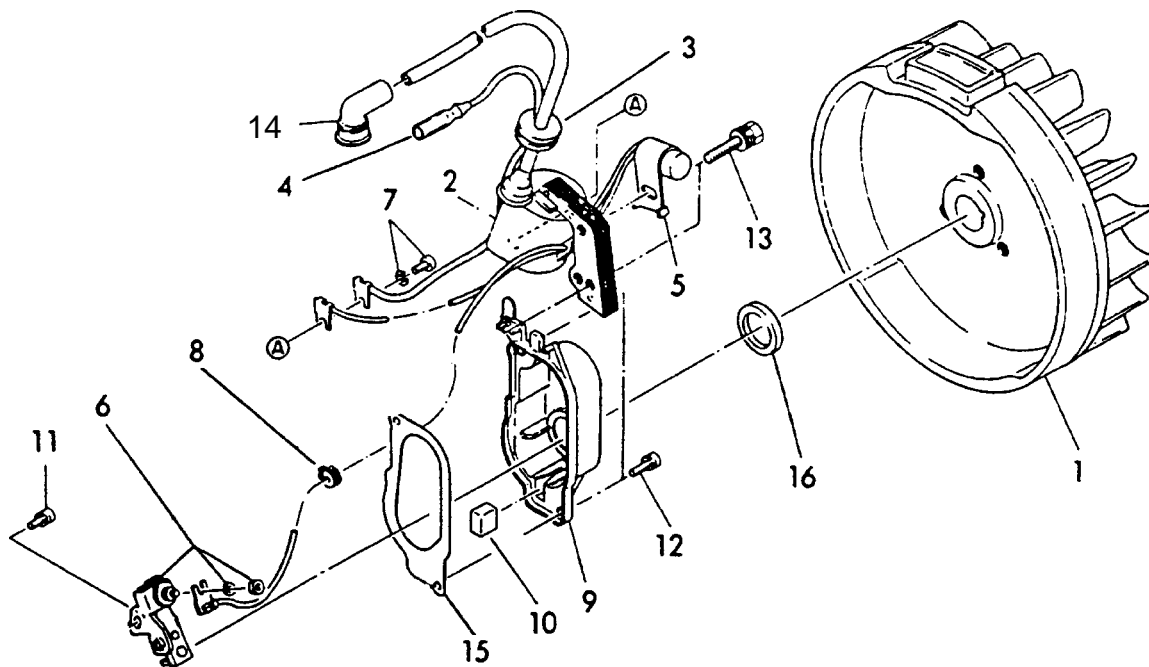
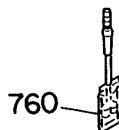


FIG. 720

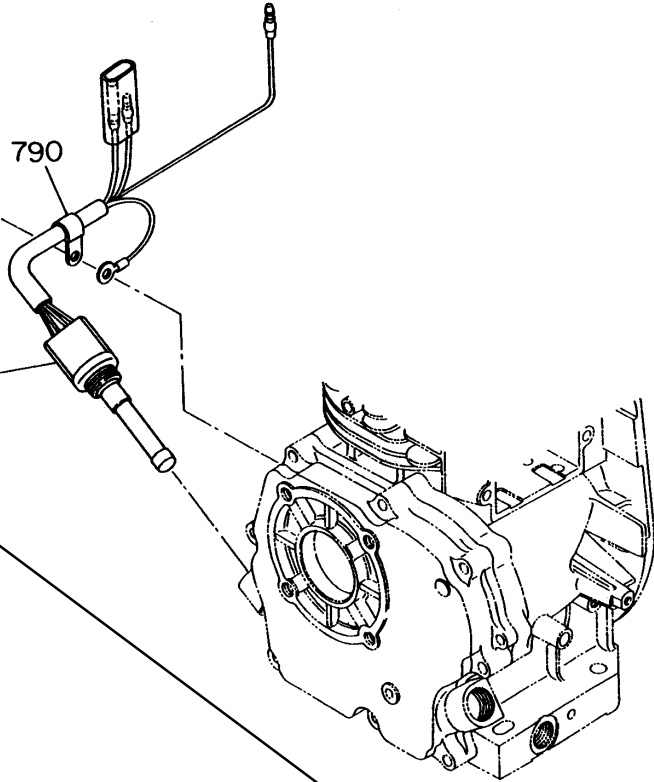
**NEW STYLE - OPPOSITE
CARBURETOR SIDE**



740

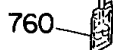
790

700



730

780



750

755

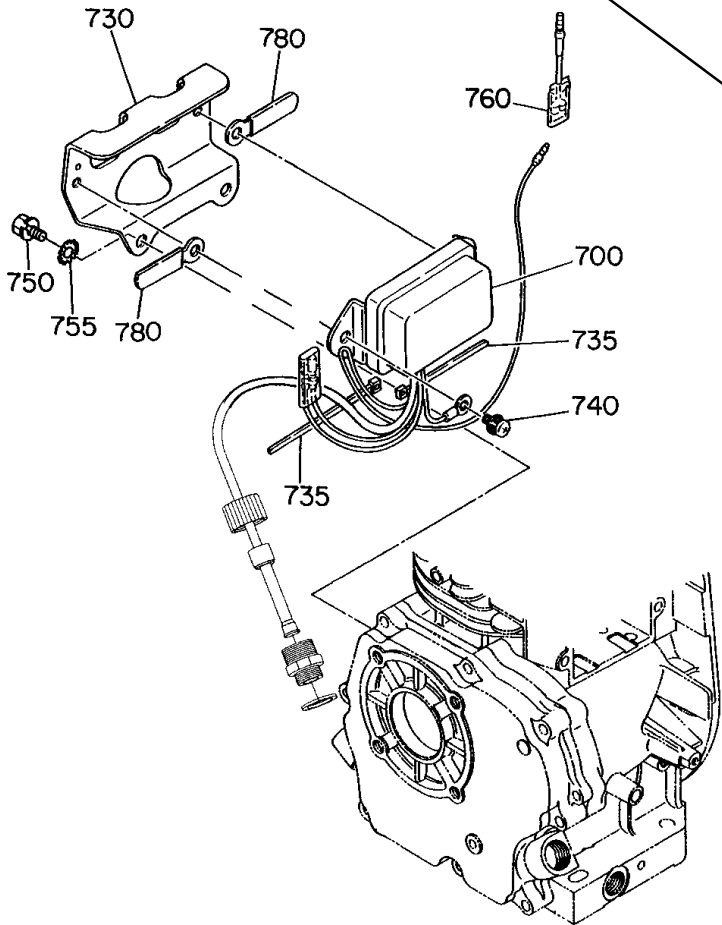
780

700

735

740

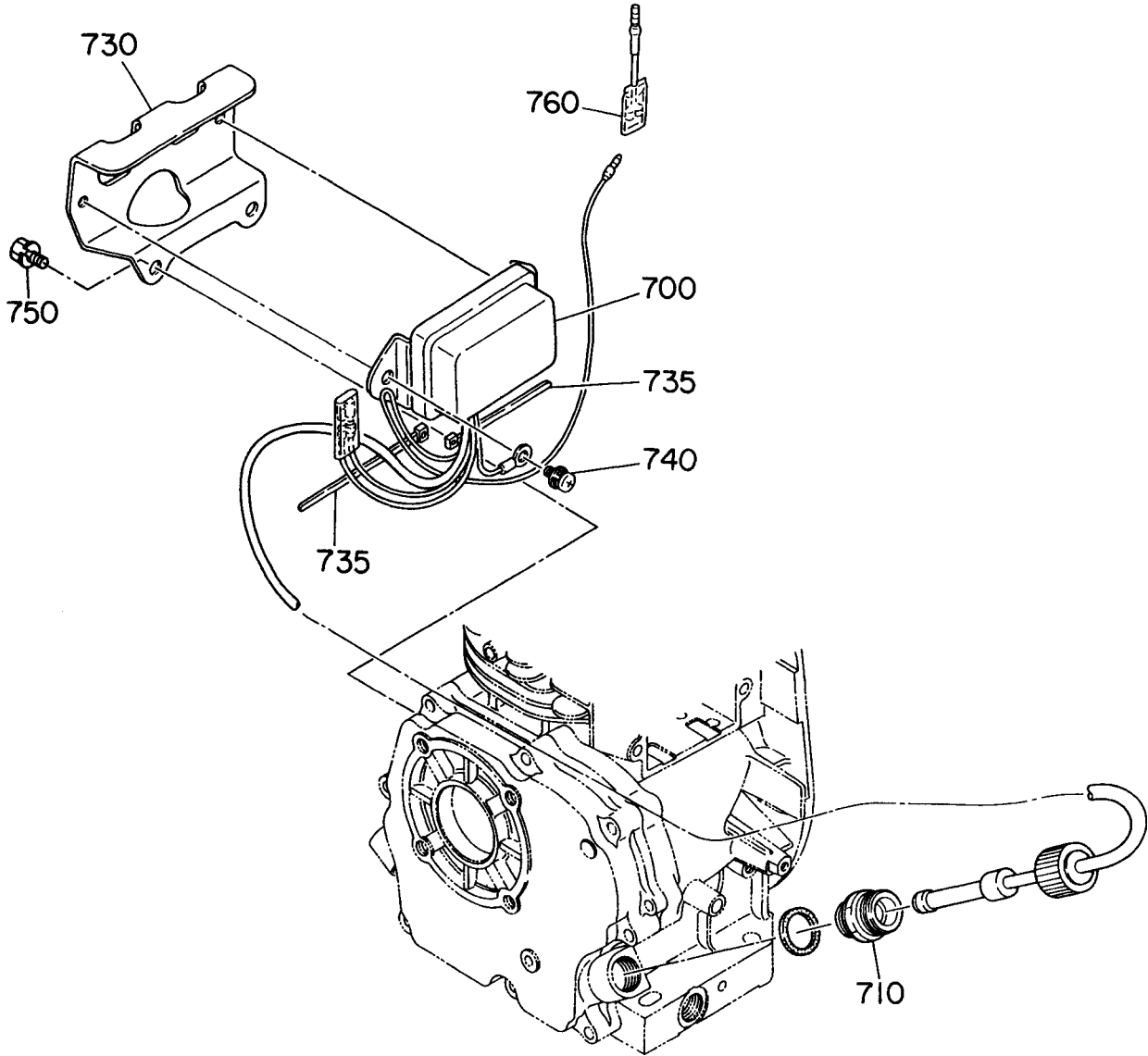
735



**OLD STYLE - OPPOSITE
CARBURETOR SIDE**

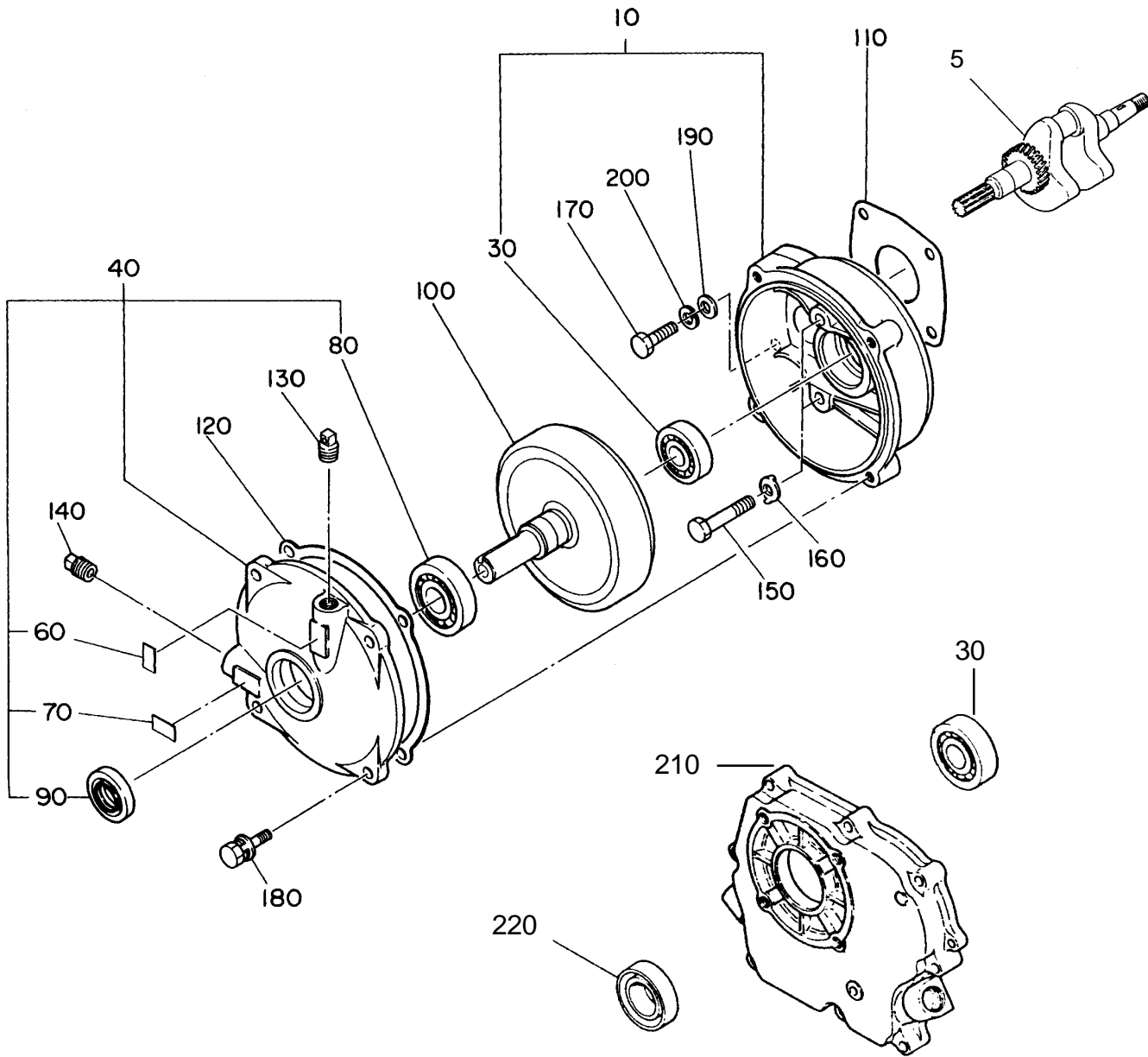
FIG. 730

OLD STYLE - CARBURETOR SIDE



SECTION 8 6:1 REDUCTION

FIG. 800



PRINTED IN THE USA