

ROBIN ENGINES

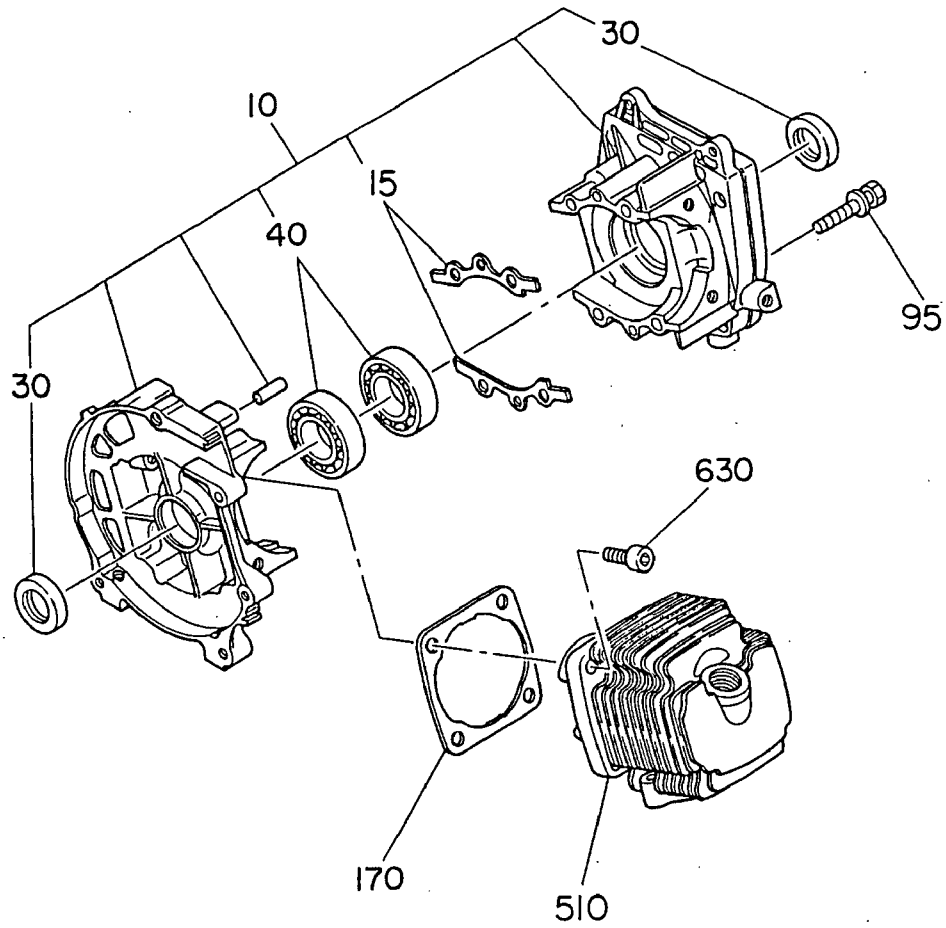
PARTS CATALOG

SPEC. No. EC040ER0253

for WAJAX

ISSUE EMD-EP5669
ISSUE DATE 1997. 8.

FIG. 100



1 CRANKCASE & CYLINDER

REF.	PART NUMBER	PART NAME	QTY	REMARKS	CODE NO. FROM-TO	INTERCHANGEABLE PART NUMBER	UNIT PRICE	FIG.
10	541-10050-00	CRANKCASE CP	1		-			100
15	541-15012-00	GASKET (CRANKCASE)	1		-			100
30	044-01599-71	OIL SEAL	2	TC15257	-	KN21-116A		100
40	060-01598-80	BALL BEARING	2	BB6202C3	-			100
95	011-90599-40	SOCKET HEAD BOLT	4		-	EC03-9302		100
170	541-15005-00	CYLINDER PACKING	1		-			100
510	541-15003-00	CYLINDER	1		-			100
630	011-90699-90	SOCKET HEAD BOLT	4		-	EC03-152		100

FIG. 200

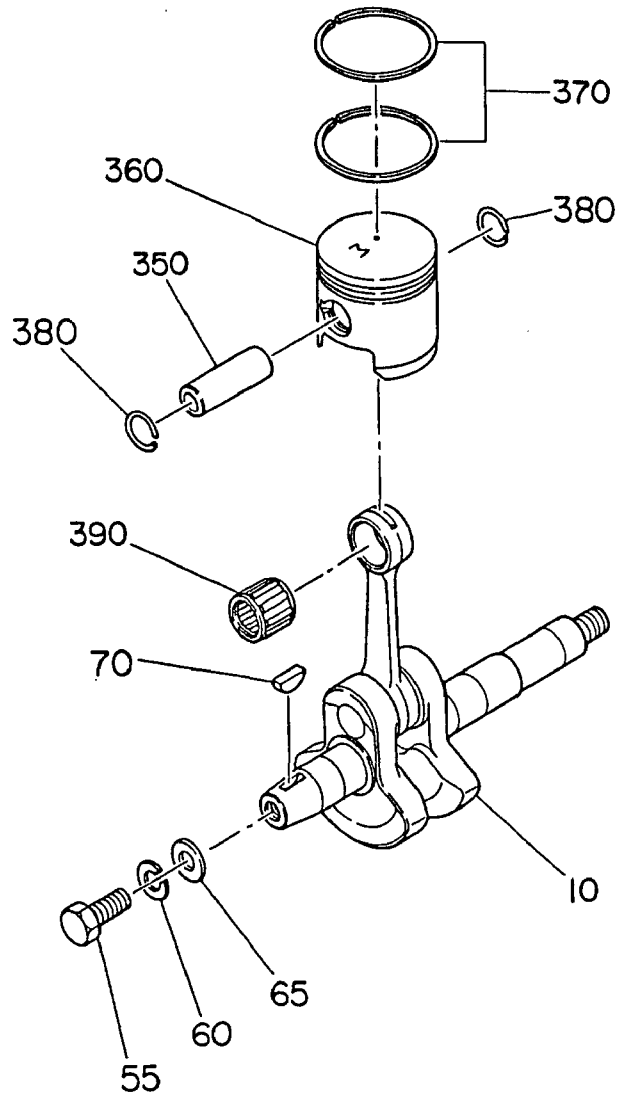


FIG. 300

MUFFLER

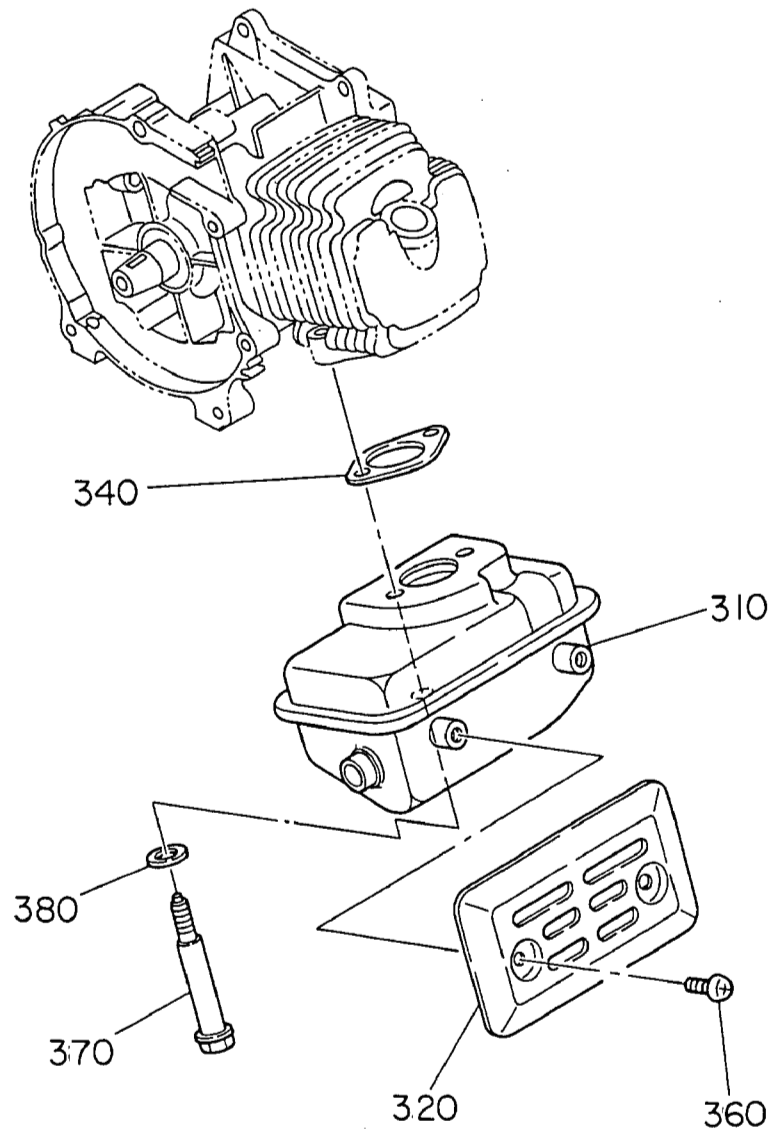
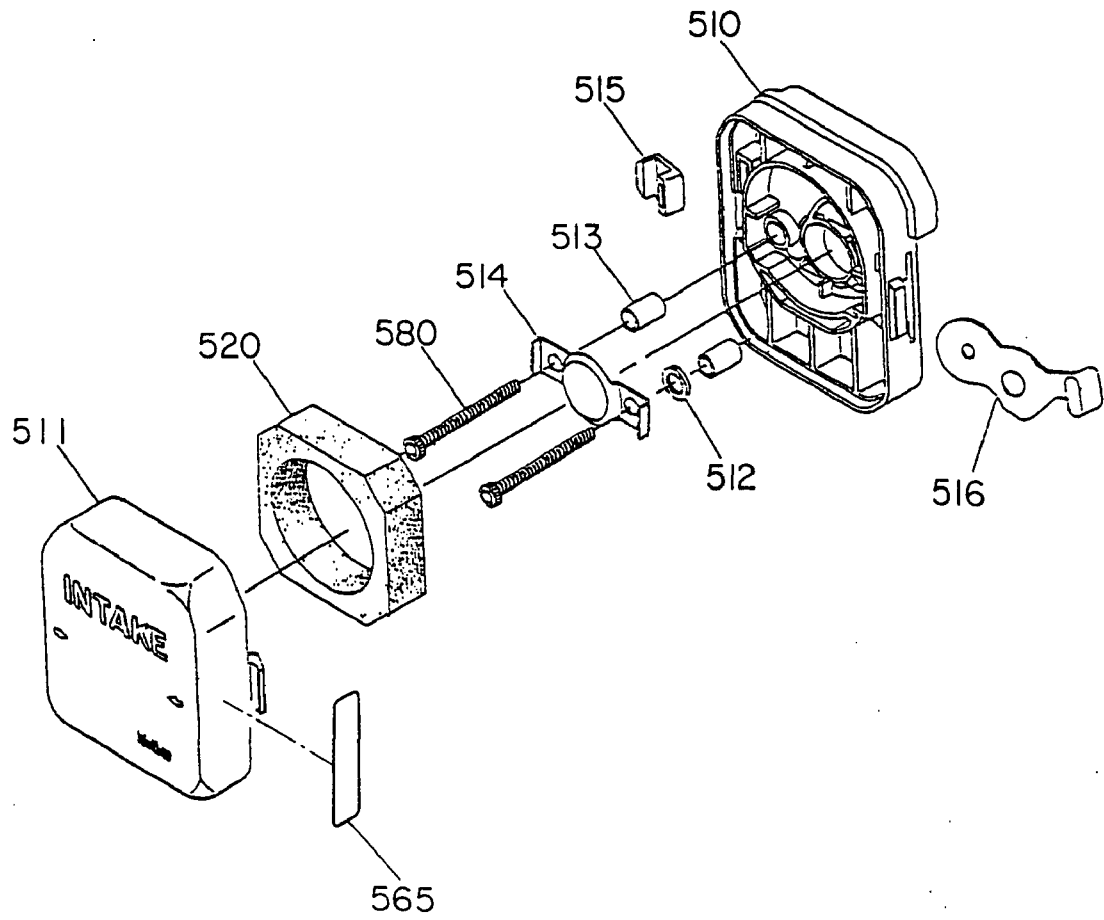


FIG. 300

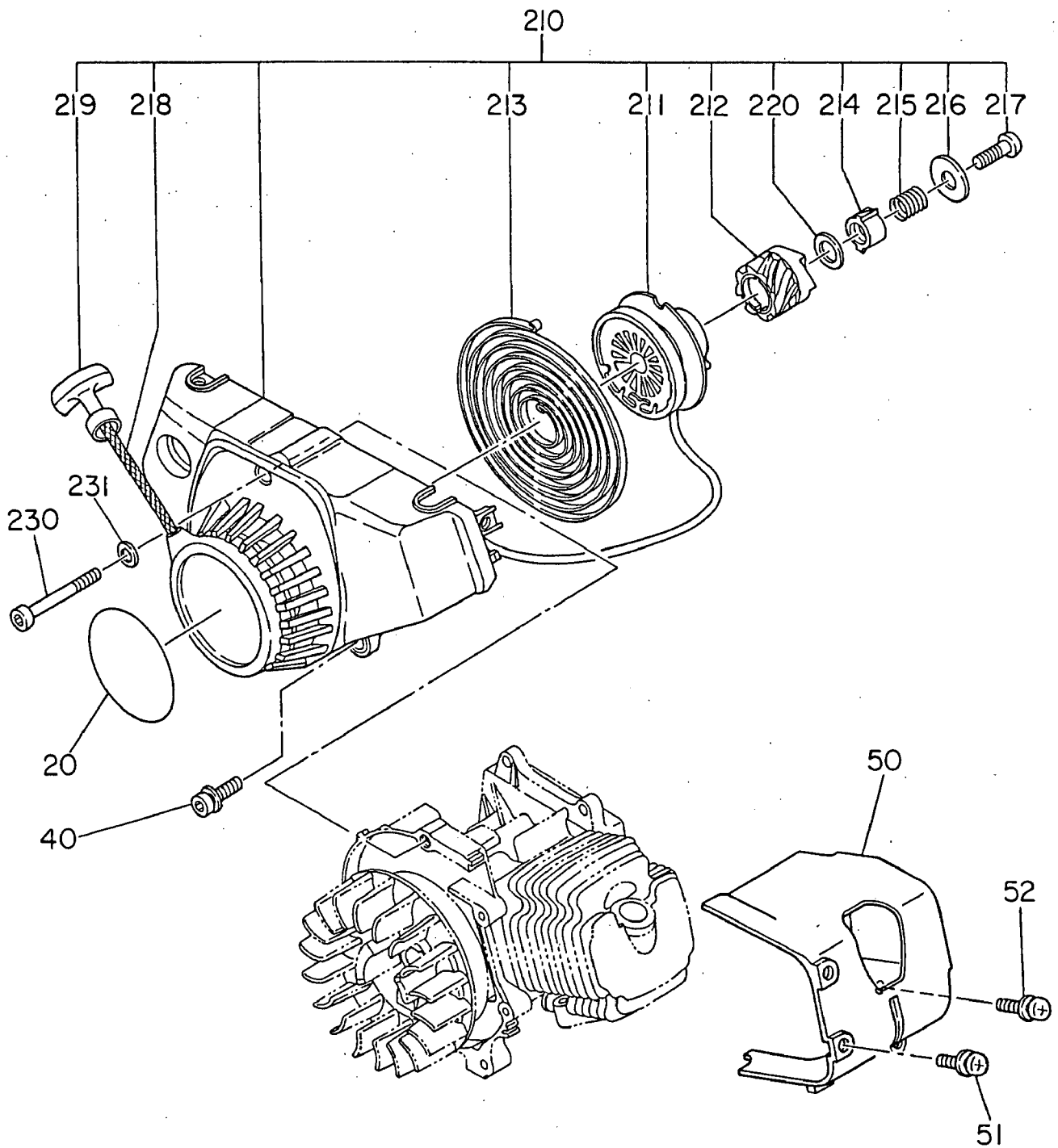
AIR CLEANER



3 MUFFLER. AIR CLEANER

REF.	PART NUMBER	PART NAME	QTY	REMARKS	CODE NO. FROM-TO	INTERCHANGEABLE PART NUMBER	UNIT PRICE	FIG.
310	532-30080-00	MUFFLER CP	1		-			300
320	540-35024-00	MUFFLER COVER	1		-	EC04-3130-SA		300
340	530-35007-00	GASKET (MUFFLER)	1		-	EC03-114B		300
360	014-00599-62	SCREW	2		-			300
370	011-90698-30	SOCKET HEAD BOLT	2		-			300
380	003-10060-00	WASHER	2		-			300
510	541-30440-10	HOUSING	1		-			300
511	523-30130-20	CLEANER COVER	1		-			300
512	531-30030-50	WASHER	1		-			300
513	523-30130-30	SLEEVE	2		-			300
514	523-30130-40	PLATE	1		-			300
515	531-30031-10	CLIP	1		-			300
516	541-30440-30	CHOKE VALVE	1		-			300
520	541-30440-20	FILTER	1		-			300
565	073-63699-80	LABEL	1		-			300
580	011-90598-10	SOCKET HEAD BOLT	2		-			300

FIG. 500



5 RECOIL STARTER AY

REF.	PART NUMBER	PART NAME	QTY	REMARKS	CODE NO. FROM-TO	INTERCHANGEABLE PART NUMBER	UNIT PRICE	FIG.
20	541-95002-00	LABEL(MODEL)	1		-			500
40	011-90597-90	SOCKET HEAD BOLT	2		-			500
50	541-55001-00	CYLINDER COVER	1		-			500
51	004-37051-40	SCREW AND WASHER AY	1		-			500
52	004-37052-00	SCREW AND WASHER AY	1		-			500
210	541-50390-00	RECOIL STARTER AY	1		-			500
211	541-50010-10	REEL	1		-			500
212	541-50010-20	RATCHET	1		-			500
213	541-50010-30	SPIRAL SPRING	1		-			500
214	541-50010-40	RATCHET GUIDE	1		-			500
215	541-50010-50	FRICTION SPRING	1		-			500
216	541-50010-60	WASHER	1		-			500
217	524-50010-10	BIND SCREW	1		-			500
218	541-50011-40	STARTER ROPE	1		-			500
219	530-50021-10	STARTER KNOBE CP	1		-			500
220	541-50012-20	THRUST WASHER	1		-			500
230	011-90596-60	SOCKET HEAD BOLT	1		-			500
231	003-10050-00	WASHER	1		-			500

FIG. 600

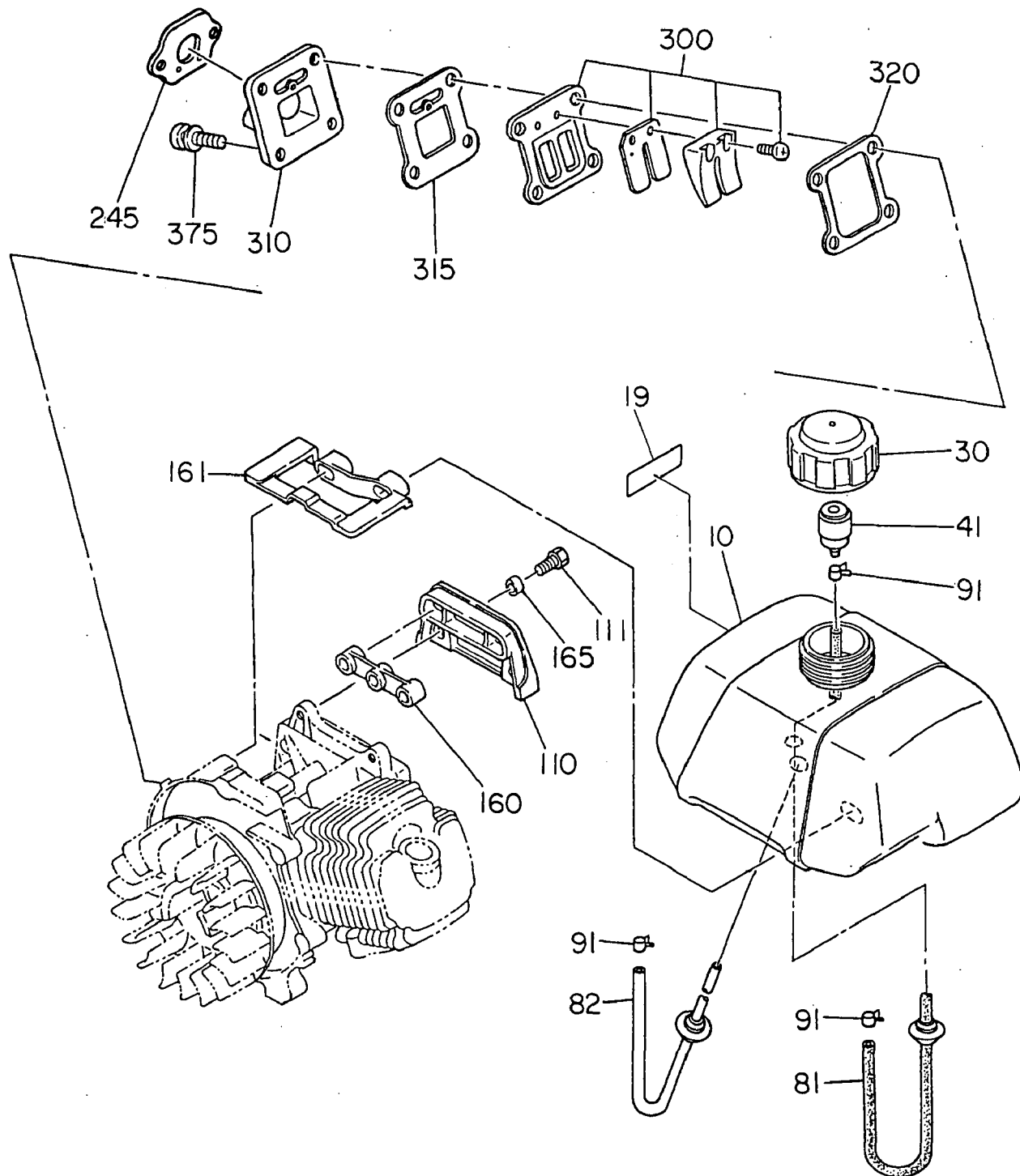
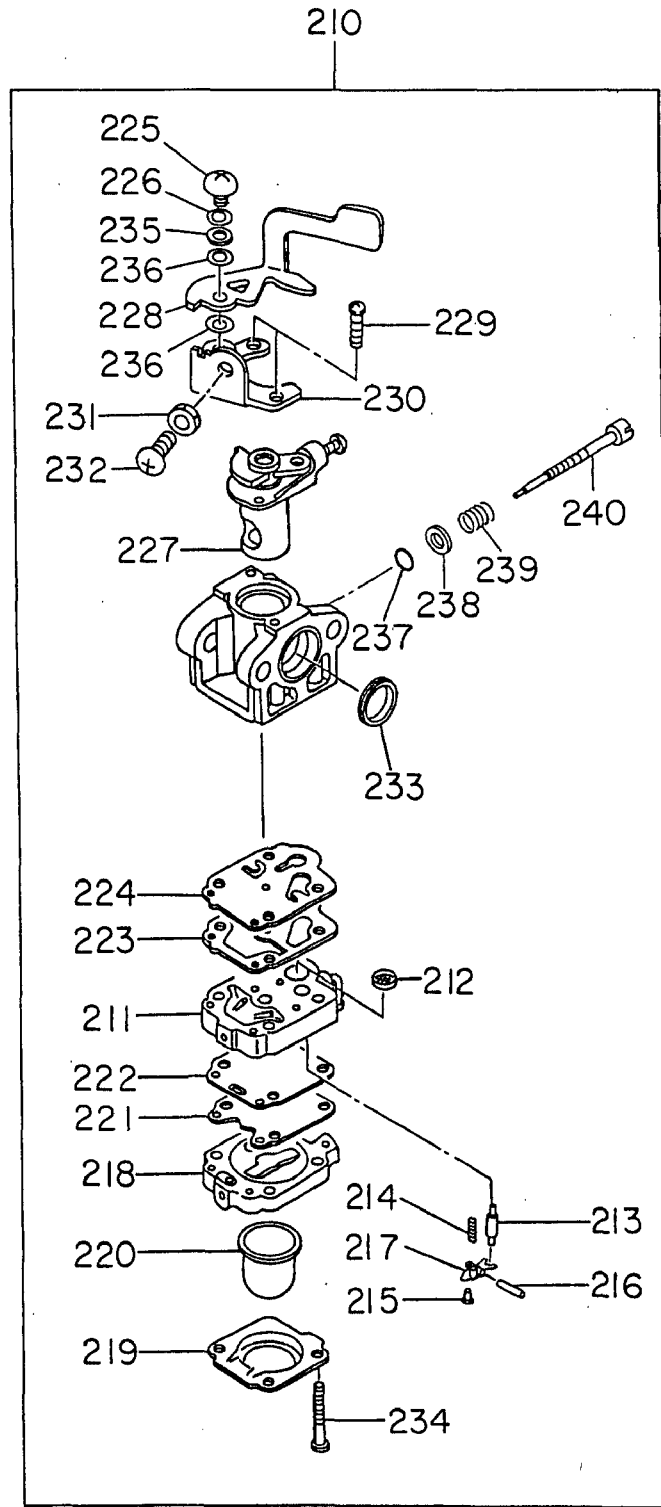


FIG. 600

CARBURETOR



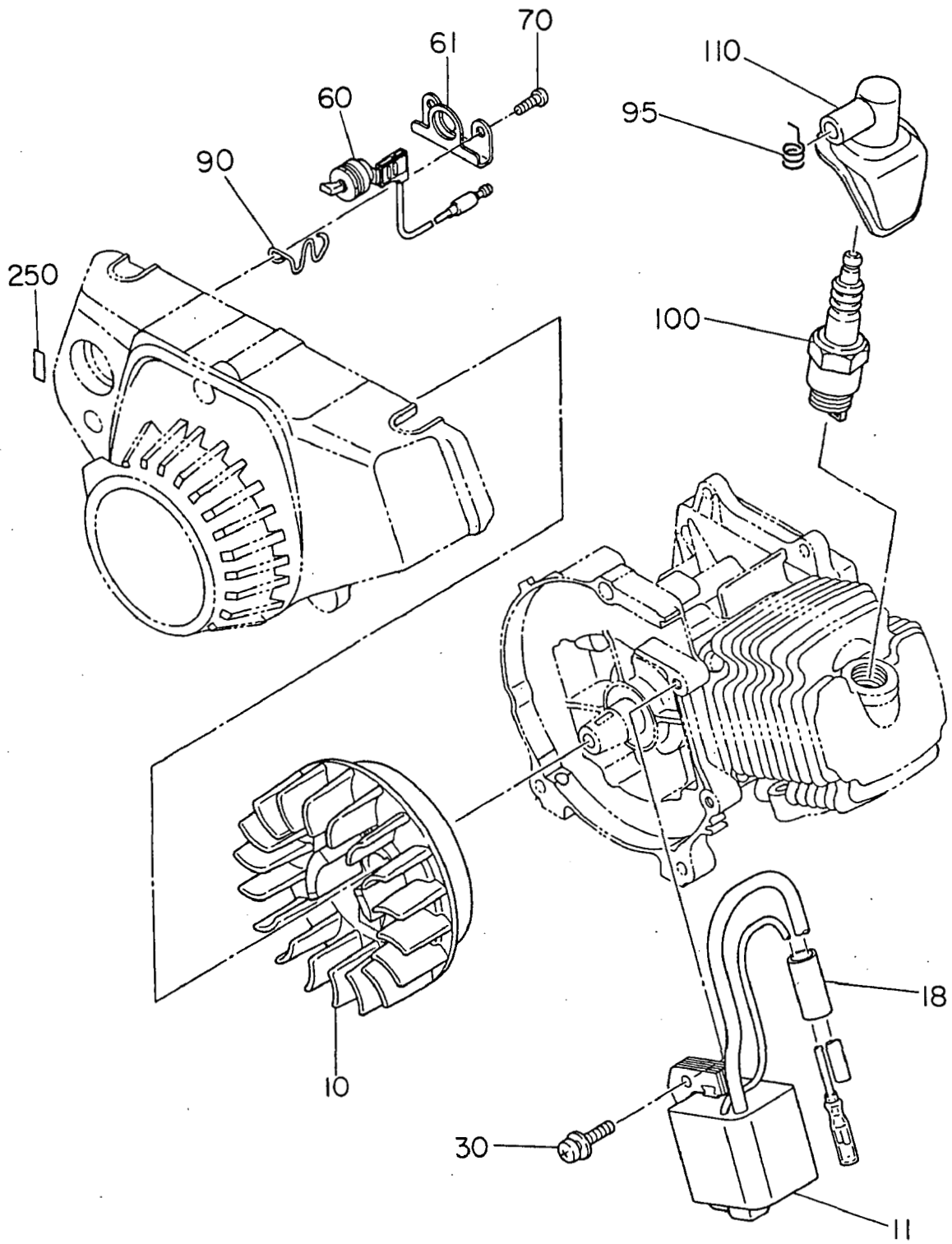
6 FUEL TANK, CARBURETOR

REF.	PART NUMBER	PART NAME	QTY	REMARKS	CODE NO. FROM-TO	INTERCHANGEABLE PART NUMBER	UNIT PRICE	FIG.
10	541-65041-00	FUEL TANK	1		-			600
19	560-95006-00	LABEL, THROTTLE	1		-			600
30	531-60150-00	FUEL TANK CAP	1		-			600
41	523-65039-00	FILTER	1		-			600
81	085-12799-70	TUBE AY	1		-			600
82	085-12899-60	TUBE AY	1		-			600
91	056-10599-90	HOSE CLAMP	3		-	EC01A-6070		600
110	541-65003-00	TANK BRACKET CP	1		-			600
111	001-17051-40	BOLT AY	2		-			600
160	541-65011-00	RUBBER CUSHION(B)	1		-			600
161	541-65019-00	RUBBER CUSHION(A)	1		-			600
165	023-00599-90	SPACER	2		-	EC01A-6027		600
210	541-60420-00	CARBURETOR	1		-			600
211	523-60461-30	BODY AY-PUMP	1		-			600
212	501-60040-10	SCREEN	1		-			600
213	531-60051-50	VALVE-INLET	1	NOT FOR SALE	-			600
214	523-60461-20	SPRING	1	NOT FOR SALE	-			600
215	523-60461-10	SCREW	1	NOT FOR SALE	-			600
216	531-60055-10	PIN	1	NOT FOR SALE	-			600
217	531-60055-50	LEVER	1	NOT FOR SALE	-			600
218	523-60460-60	BODY AY-AIR PURGE	1		-			600
219	523-60460-50	COVER	1		-			600
220	524-60011-50	PUMP	1		-			600
221	531-60052-50	DIAPHRAGM AY	1		-			600
222	523-60460-40	GASKET	1		-			600
223	524-60010-40	DIAPHRAGM	1		-			600
224	524-60010-30	GASKET	1		-			600
225	541-60420-30	SCREW	1		-			600
226	541-60420-50	WASHER	1		-			600
227	541-60420-10	THROTTLE VALVE	1		-			600
228	541-60420-20	THROTTLE LEVER	1		-			600
229	524-60012-40	SCREW	2		-			600
230	541-60421-10	BRACKET	1		-			600
231	541-60420-60	NUT	1		-			600
232	541-60420-40	ADJUSTER SCREW	1		-			600
233	523-60180-20	RING	1		-			600

6 FUEL TANK, CARBURETOR

REF.	PART NUMBER	PART NAME	QTY	REMARKS	CODE NO. FROM-TO	INTERCHANGEABLE PART NUMBER	UNIT PRICE	FIG.
234	523-60460-10	SCREW	4		-			600
235	541-60421-20	WASHER	1		-			600
236	541-60421-30	WASHER	2		-			600
237	521-60060-50	O RING	1		-			600
238	521-60060-40	WASHER	1		-			600
239	580-60801-10	SPRING	1		-			600
240	521-60060-30	NEEDLE	1		-			600
245	541-65040-00	GASKET, CARBURETOR	1		-			600
300	541-30060-00	LEAD VALVE AY	1		-			600
310	540-30480-01	INSULATER AY	1		-			600
315	540-35006-00	GASKET, INSULATER	1		-			600
320	541-35028-00	PACKING	1		-			600
375	011-90596-40	SOCKET HEAD BOLT	4		-			600

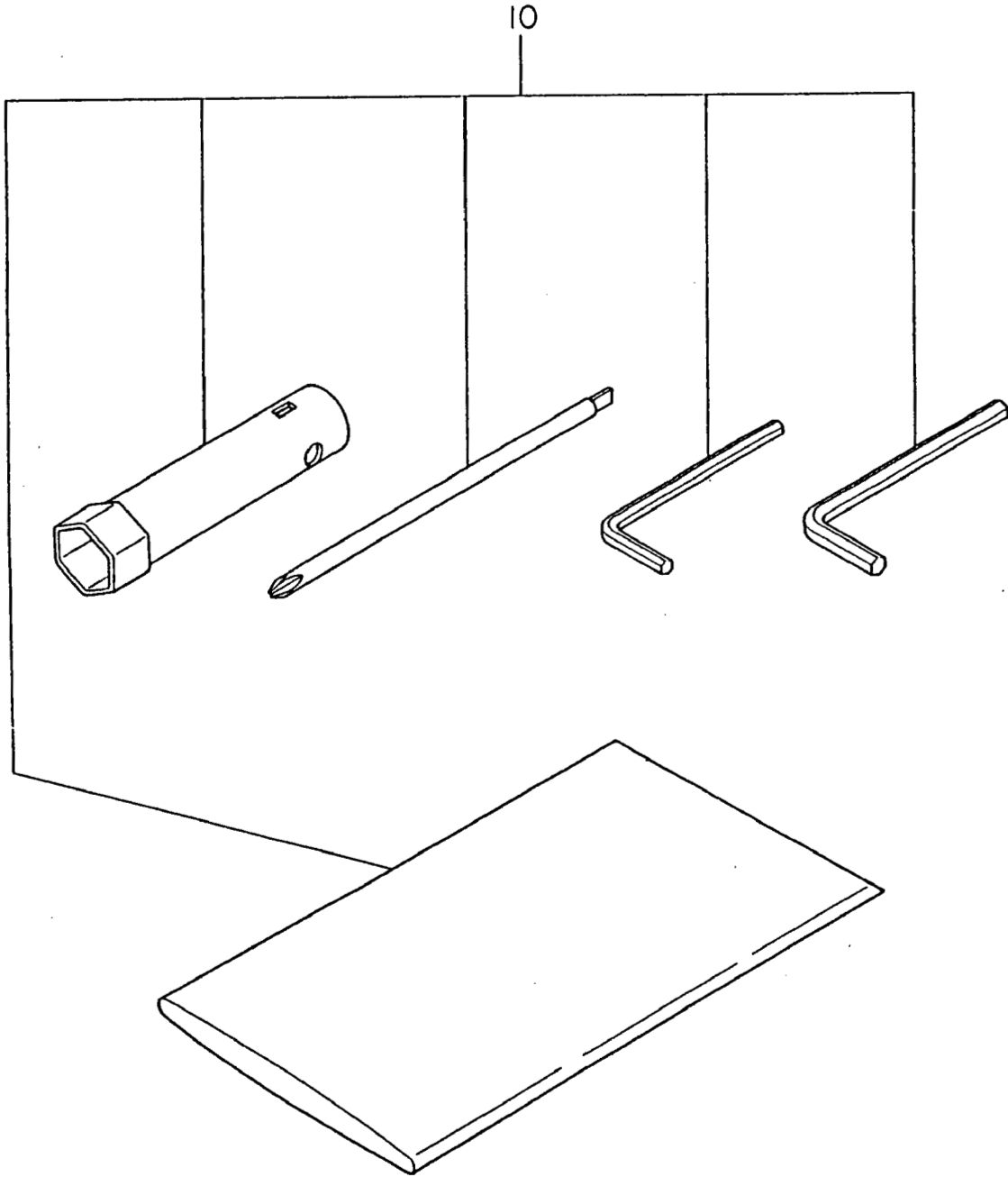
FIG. 700



7 MAGNETO

REF.	PART NUMBER	PART NAME	QTY	REMARKS	CODE NO. FROM-TO	INTERCHANGEABLE PART NUMBER	UNIT PRICE	FIG.
10	541-70230-10	FLYWHEEL	1		-			700
11	541-70230-20	IGNITION COIL	1		-			700
18	541-75003-00	TUBE	1		-			700
30	011-90597-90	SOCKET HEAD BOLT	2		-			700
60	066-20097-20	STOP SWITCH	1		-			700
61	541-75006-00	PLATE	1		-			700
70	015-00499-80	TAPPING SCREW	2		-			700
90	541-75001-00	EARTH SPRING	1		-			700
95	065-40099-31	SPRING, PLUG CAP	1		-			700
100	065-01497-10	SPARK PLUG	1	NGK BPM7A	-			700
110	541-75000-00	SPARK PLUG CAP	1		-			700
250	073-62599-61	LABEL	1		-			700

FIG. 900



9 ACCESSORIES

REF.	PART NUMBER	PART NAME	QTY	REMARKS	CODE NO. FROM-TO	INTERCHANGEABLE PART NUMBER	UNIT PRICE	FIG.
10	530-90030-00	ACCESSORY TOOL KIT	1		-			900