

Robin Industrial Engines®

OEM PARTS MANUAL

Model

EC08D INGERSOLL-RAND

1193M308



ROBIN AMERICA, INC.
ROBIN TO WISCONSIN ROBIN
ENGINE MODEL CROSS REFERENCE LIST

ROBIN

WISCONSIN ROBIN

SIDE VALVE

EY08	W1-080
EY15	W1-145
EY15V	W1-145V
EY20	W1-185
EY20V	W1-185V
EY23	W1-230
EY28	W1-280
EY35	W1-340
EY40	W1-390
EY45V	W1-450V
EY21	EY21W
EY44	EY44W
EY18-3	EY18-3W
EY25	EY25W
EY27	EY27W

OVERHEAD VALVE

EH11	W01-115
EH12	W01-120
EH15	W01-150
EH17	W01-170
EH21	W01-210
EH25	W01-250
EH30	W01-300
EH30V	W01-300V
EH34	W01-340
EH34V	W01-340V
EH43V	W01-430V

TWO CYCLE

EC13V	WT1-125V
-------	----------

DIESEL

DY23	WRD1-230
DY27	WRD1-270
DY30	WRD1-300
DY35	WRD1-350
DY41	WRD1-410

Introduction

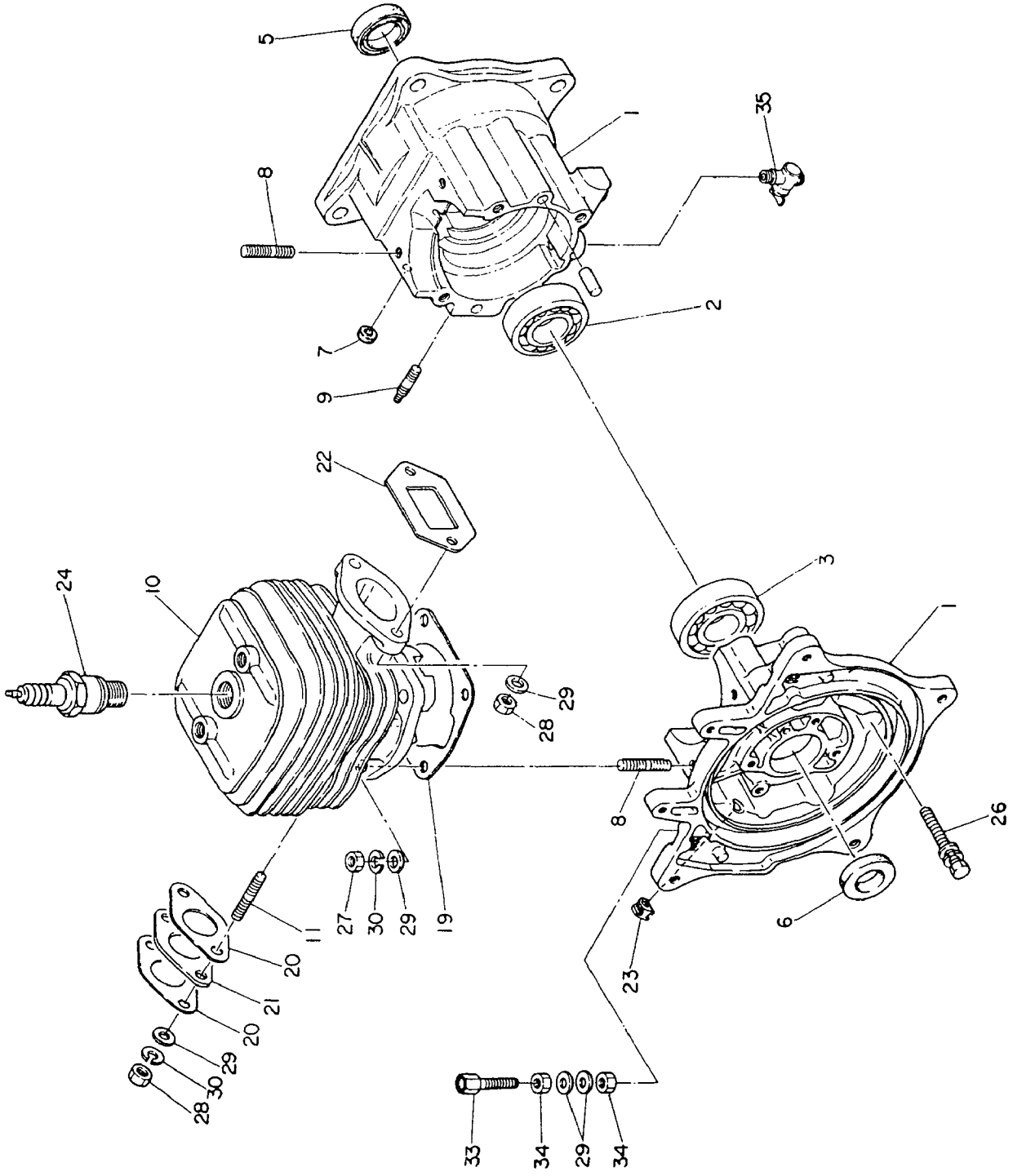
This catalog is designed to identify **Robin Engine** parts.

When ordering parts, it is always advisable to list the engine model, specification number and serial number. With this information, we can check your order for any incorrect part numbers. Use your Service Parts List to ensure proper part number and nomenclature identification.

ROBIN AMERICA INC. reserves the right to modify, alter and improve engines and parts. Part numbers and the structure of parts may change from those shown in this catalog.

Table of Contents

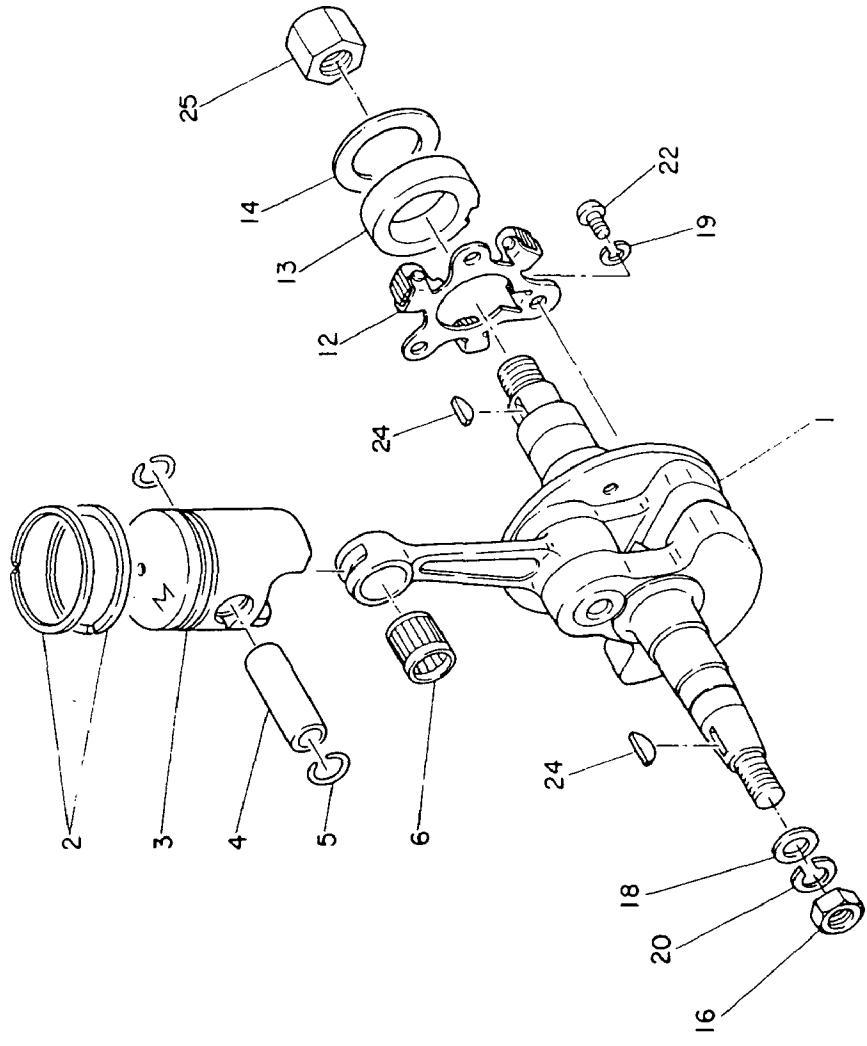
Crankcase and Cylinder	1
Crankshaft and Piston	2
Governor	3
Muffler and Fan Cover	4
Carburetor and Air Cleaner	5
Magneto	6
Recoil Starter	7
Accessories	8



1. CRANKCASE and CYLINDER

↔Interchangeability

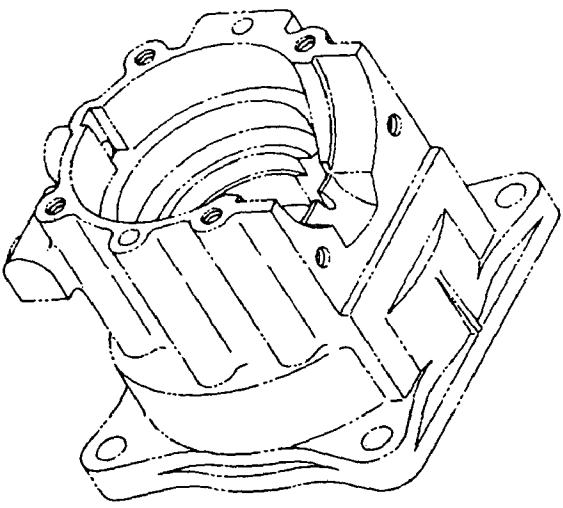
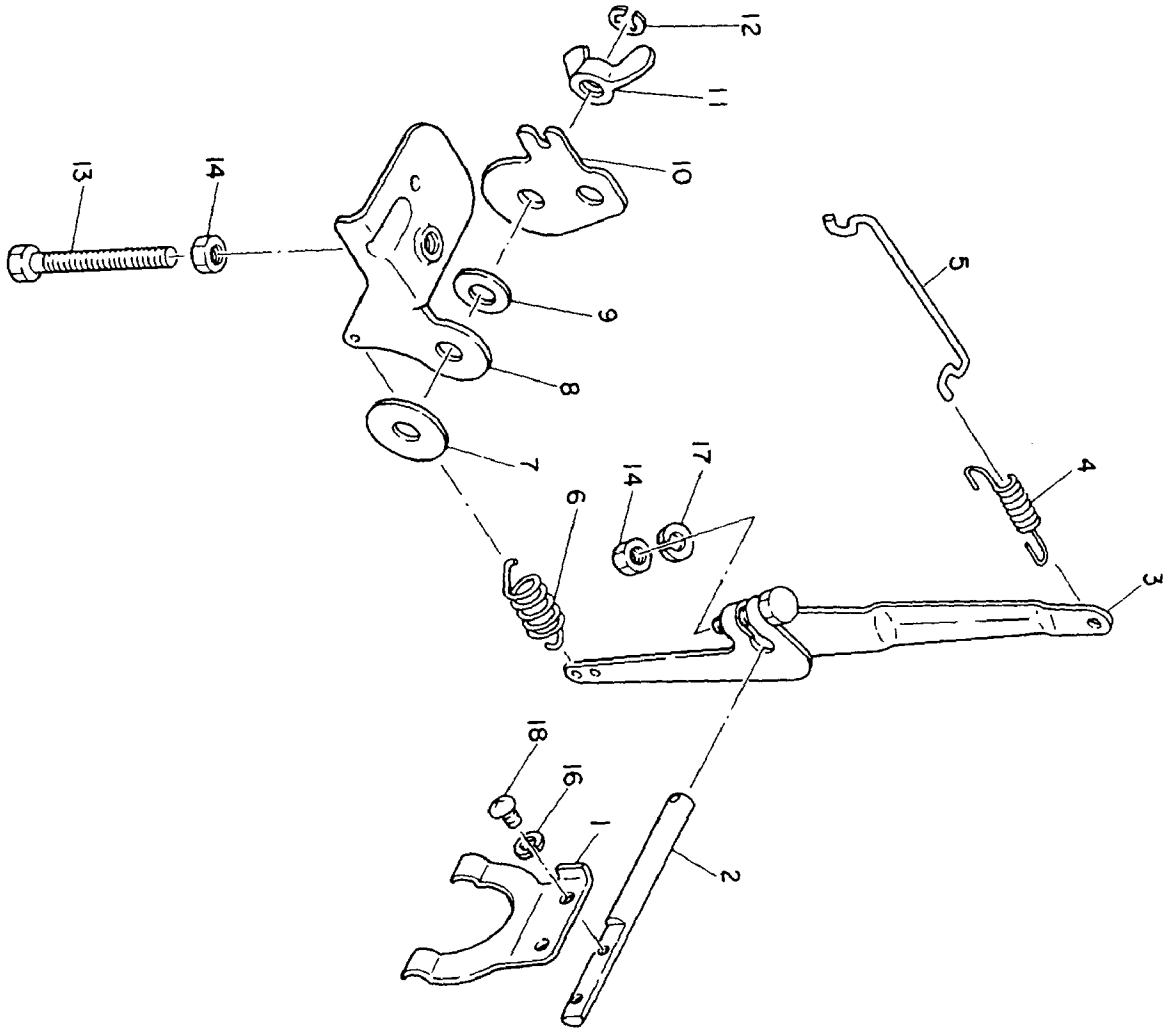
Ref. No.	Part Number	Part Name	Qty	Description	FOB JAPAN IN U.S.\$
*1	EC08-S0260	CRANKCASE COMPL.	1	Incl.2, 3, 5~9	
2	060 02000 10	BALL BEARING	1	S-BB6004C3	
3	060 02000 20	BALL BEARING	1	S-BB6204C3	
5	044 02000 20	OIL SEAL	1	TC-20307	
6	044 01799 30	OIL SEAL	1	TC-17286	
7	044 00600 10	OIL SEAL	1		
8	010 50649 70	STUD	4		
9	010 50600 50	STUD	1		
*10	EC08A-0110C	CYLINDER COMPL.	1	Incl.11	
11	010 50649 70	STUD	2		
19	EC08A-1111	PACKING (cylinder)	1		
20	106 35001 03	GASKET (insulator)	2		
21	129 32901 03	INSULATOR	1		
22	129 35004 03	GASKET (muffler)	1		
23	EC05A-7102	GROMMET	1		
24	065 01400 31	SPARK PLUG	1	NGK-B6HS	
26	001 14064 50	BOLT ASSY	4		
27	002 18060 00	NUT	4		
28	EC08A-3104	"U" NUT	4		
29	003 10060 00	WASHER	8		
30	003 20060 00	SPRING WASHER	6		
33	014 90699 81	ADJUSTING SCREW	1		
34	002 27060 00	NUT	2		
35	064 30001 00	DRAIN COCK	1		



2. CRANKSHAFT and PISTON

↔ Interchangeability

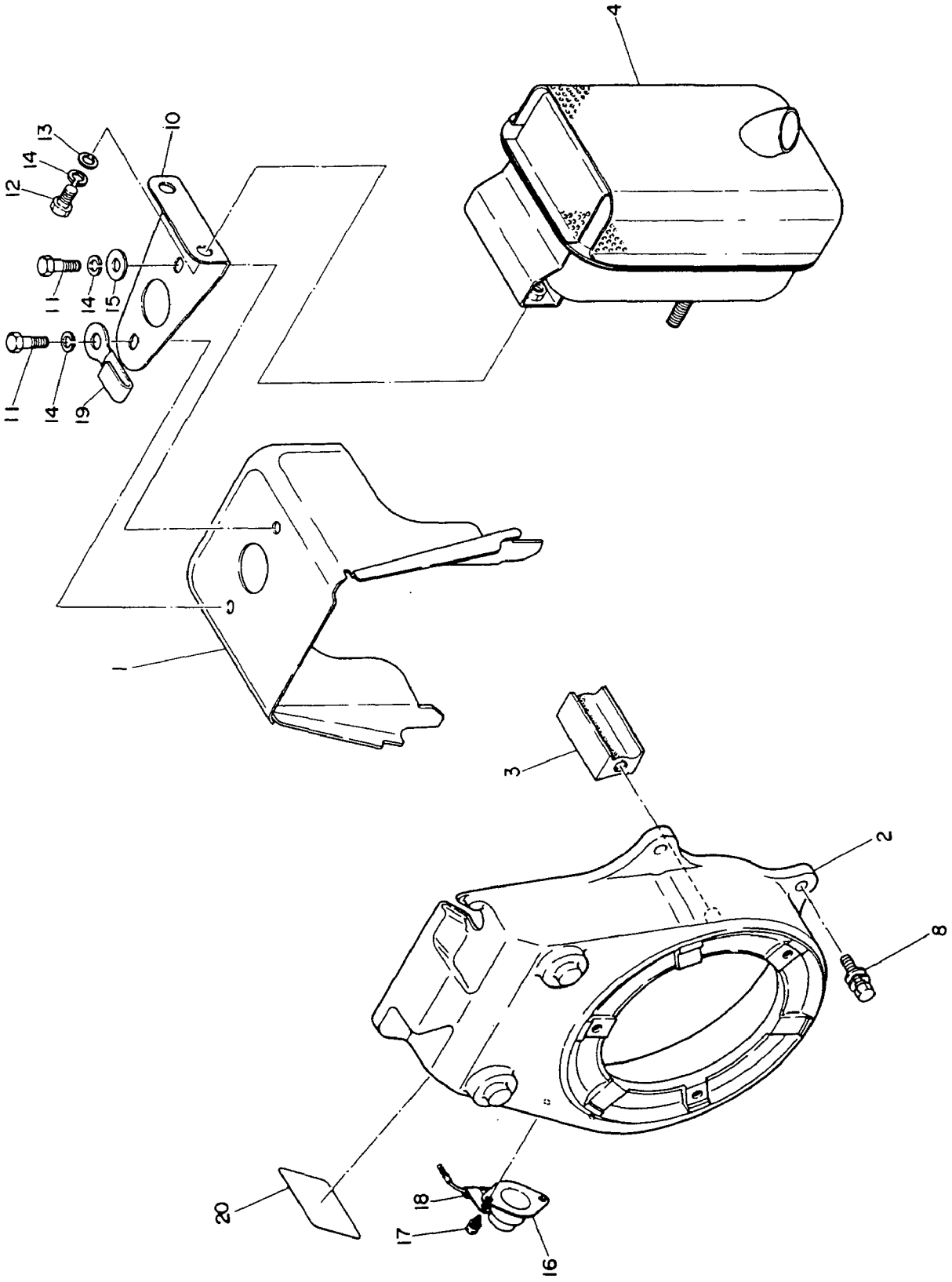
Ref. No.	Part Number	Part Name	Qty	Description	FOB JAPAN IN U.S. \$
1	EC08A-0205A	CRANKSHAFT COMPL.	1		
2	EC08A-S0100	PISTON RING SET	1		
3	EC08A-2104A	PISTON	1		
4	EC08A-2105A	PISTON PIN	1		
5	056 51199 90	CLIP	2		
6	061 01200 10	NEEDLE BEARING	1		
12	129 41703 22	GOVERNOR PLATE UNIT	1		
13	EC05A-4102	GOVERNOR SLEEVE	1		
14	023 02300 20	SPACER	1		
16	002 18100 00	NUT	1		
18	003 10100 00	WASHER	1		
19	003 20050 00	SPRING WASHER	3		
20	003 20100 00	SPRING WASHER	1		
22	004 31050 80	SCREW (pan head)	3		
24	005 32042 01	WOODRUFF KEY	2		
25	017 31200 10	LOCK NUT	1		



3. GOVERNOR

↔ Interchangeability

Ref. No.	Part Number	Part Name	Q'ty	Description	FOB JAPAN IN U.S. \$
1	129 42101 13	GOVERNOR YOKE	1		
2	129 42201 03	GOVERNOR SHAFT	1		
3	129 42301 11	GOVERNOR LEVER COMPL.	1		
4	106 42801 11	ROD SPRING	1		
5	105 42701 11	GOVERNOR ROD	1		
6	129 42501 11	GOVERNOR SPRING	1		
7	021 70600 20	FRICITION WASHER	1		
8	EC05A-4101	GOVERNOR LEVER	1		
9	020 00700 10	WASHER	1		
10	EC05A-4103	STOP PLATE	1		
11	017 80600 10	WING NUT	1		
12	129 45001 03	CLIP	1		
13	001 65064 00	BOLT	1		
14	002 17060 00	NUT	2		
16	003 20030 00	SPRING WASHER	2		
17	003 20060 00	SPRING WASHER	1		
18	004 31030 50	SCREW (pan head)	2		
20	083 00000 10	COIL SPRING	1		



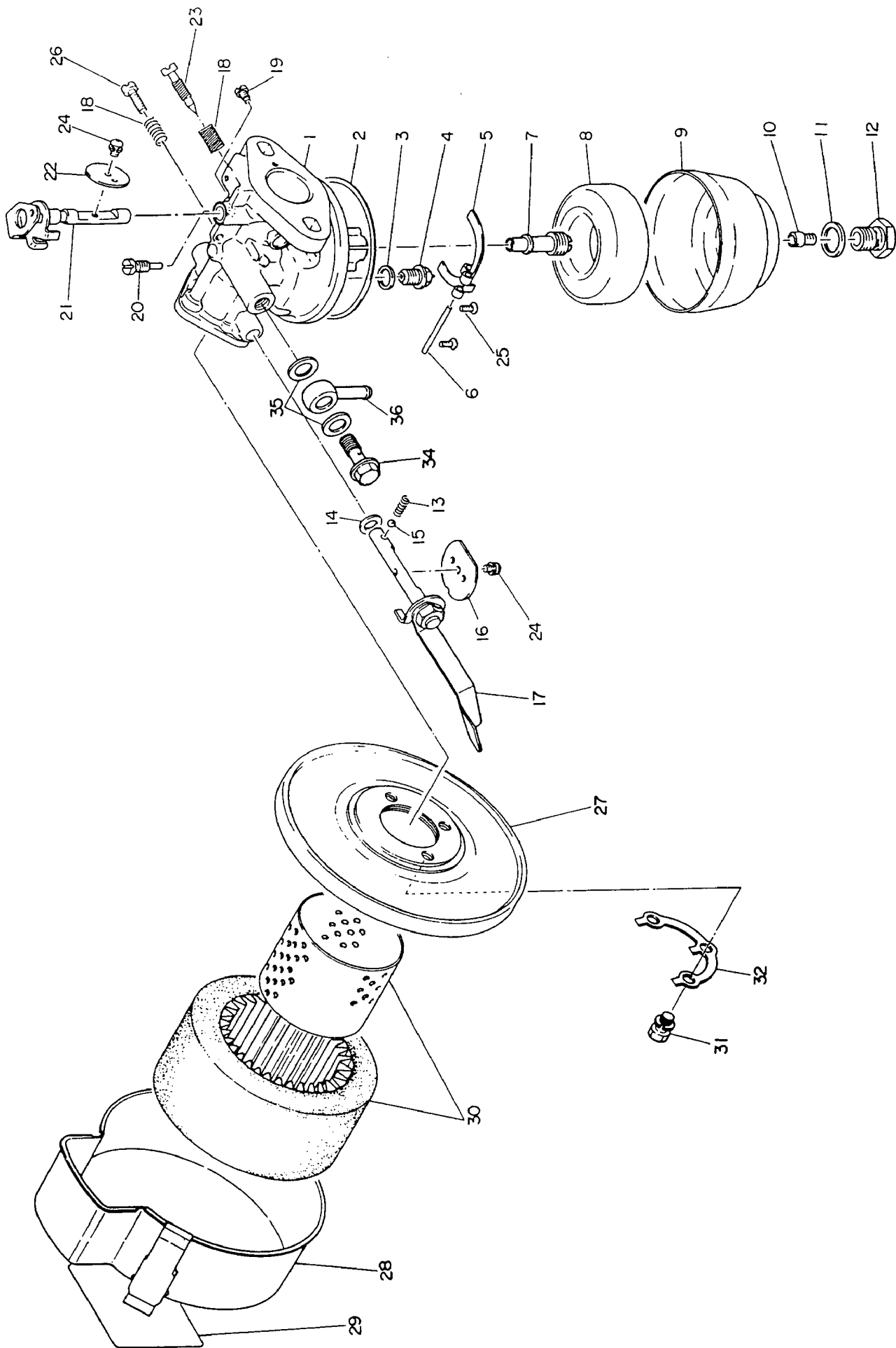
EC08D

'85-6

4. MUFFLER and FAN COVER

↔Interchangeability

Ref. No.	Part Number	Part Name	Q'ty	Description	FOB JAPAN IN U.S.\$
1	EC05A-1110A-A	CYLINDER COVER	1		
2	EC08-5101-A	FAN COVER	1		
3	EC05A-5102	GUIDE RUBBER	1		
4	EC08-0313-TA	MUFFLER ASSY	1		
8	001 11062 00	BOLT ASSY	4		
10	EC08-3102-TA	MUFFLER BRACKET	1		
11	001 67062 00	BOLT	2		
12	001 67061 60	BOLT	2		
13	003 10060 00	WASHER	2		
14	003 20060 00	SPRING WASHER	4		
15	003 12060 00	WASHER	1		
16	EC06A-0719	STOP BUTTON ASSY	1		
17	004 35040 60	SCREW ASSY	2		
18	056 60300 10	CLAMP	1		
19	EC08-0408	CLAMP COMPL.	1		
20	EC08-9117	LABEL (engine model)	1		

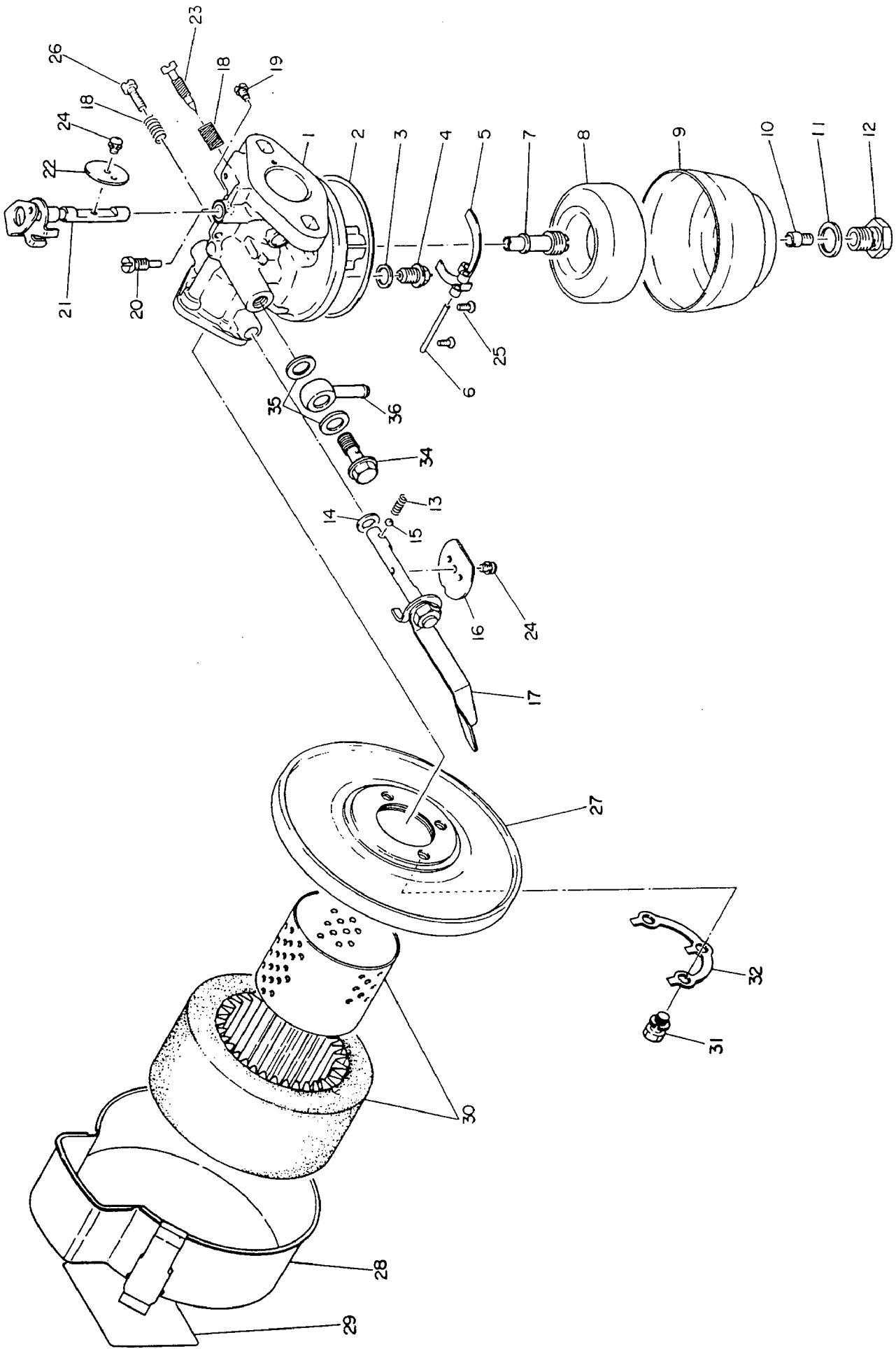


EC08D

5. CARBURETOR and AIR CLEANER

↔Interchangeability

Ref. No.	Part Number	Part Name	Qty	Description	FOB JAPAN IN U.S. \$
• 1	EC08-0333	CARBURETOR ASSY	1	Incl. 2~26, 34~36	
2	106 62547 08	PACKING	1		
3	106 62381 08	PACKING	1		
4	106 62503 08	NEEDLE VALVE	1	1.5φ	
5	129 62510 08	FLOAT ARM	1		
6	106 62516 08	PIN	1		
7	129 62441 08	NOZZLE	1	19A	
8	106 62508 08	FLOAT	1		
9	106 62389 08	FLOAT CHAMBER BODY	1		
10	129 62401 08	REVERSE MAIN JET	1	#75	
11	206 62431 08	PACKING	1		
12	206 62350 08	GUIDE HOLDER	1		
13	209 62446 08	CHOKE SPRING	1		
14	106 62392 08	SEAL	1		
15	209 62353 08	STEEL BALL	1		
16	106 62527 08	VALVE (choke)	1	#9.5	
17	BV18/652	SHAFT ASSY (choke)	1		
18	206 62446 08	SPRING	2		
19	106 62357 08	GUIDE SCREW	1		
20	128 62420 08	PILOT JET	1	#37.5	
21	128 62530 08	SHAFT ASSY (throttle)	1		
22	226 62530 08	THROTTLE VALVE	1	#200	
23	106 62436 08	PILOT SCREW	1	1 RETURN	
24	209 62351 08	SPRING WASHER CROSS SCREW	1		
25	130 62358 08	CROSS SCREW	2		

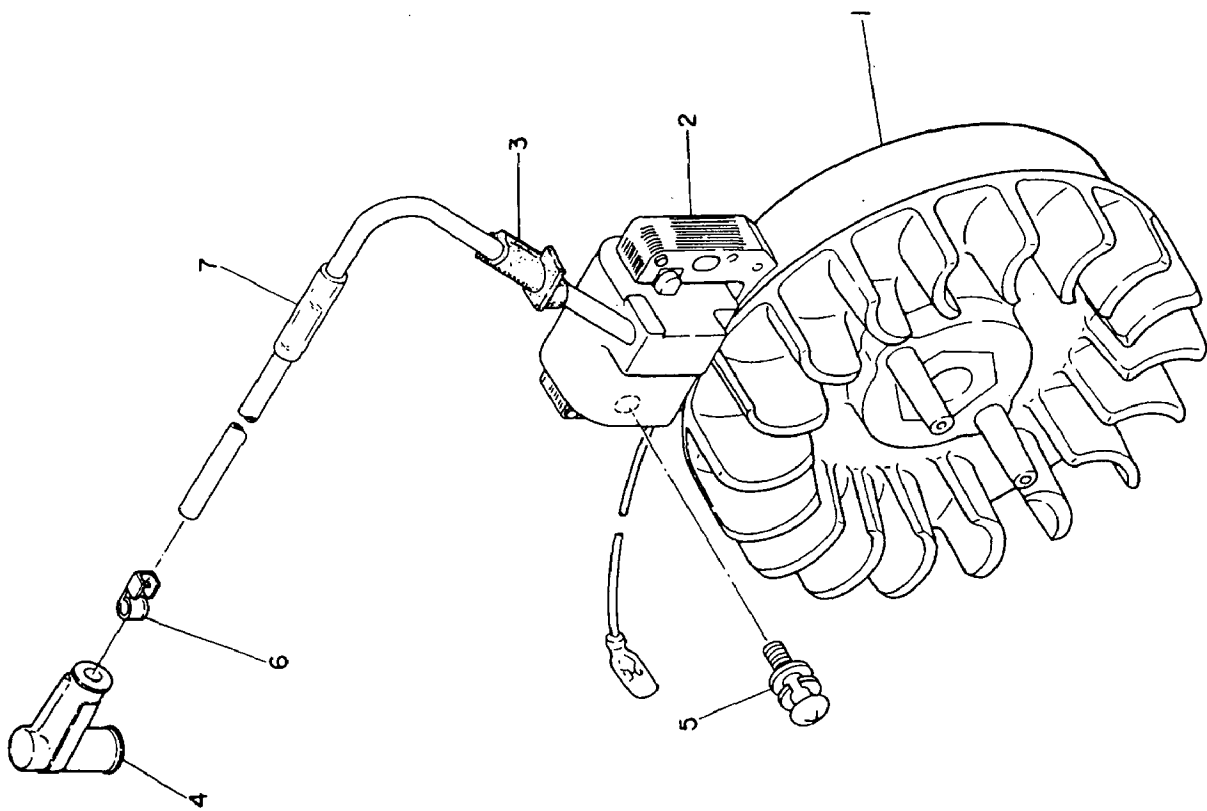


EC08D

5. CARBURETOR and AIR CLEANER

f Interchangeability

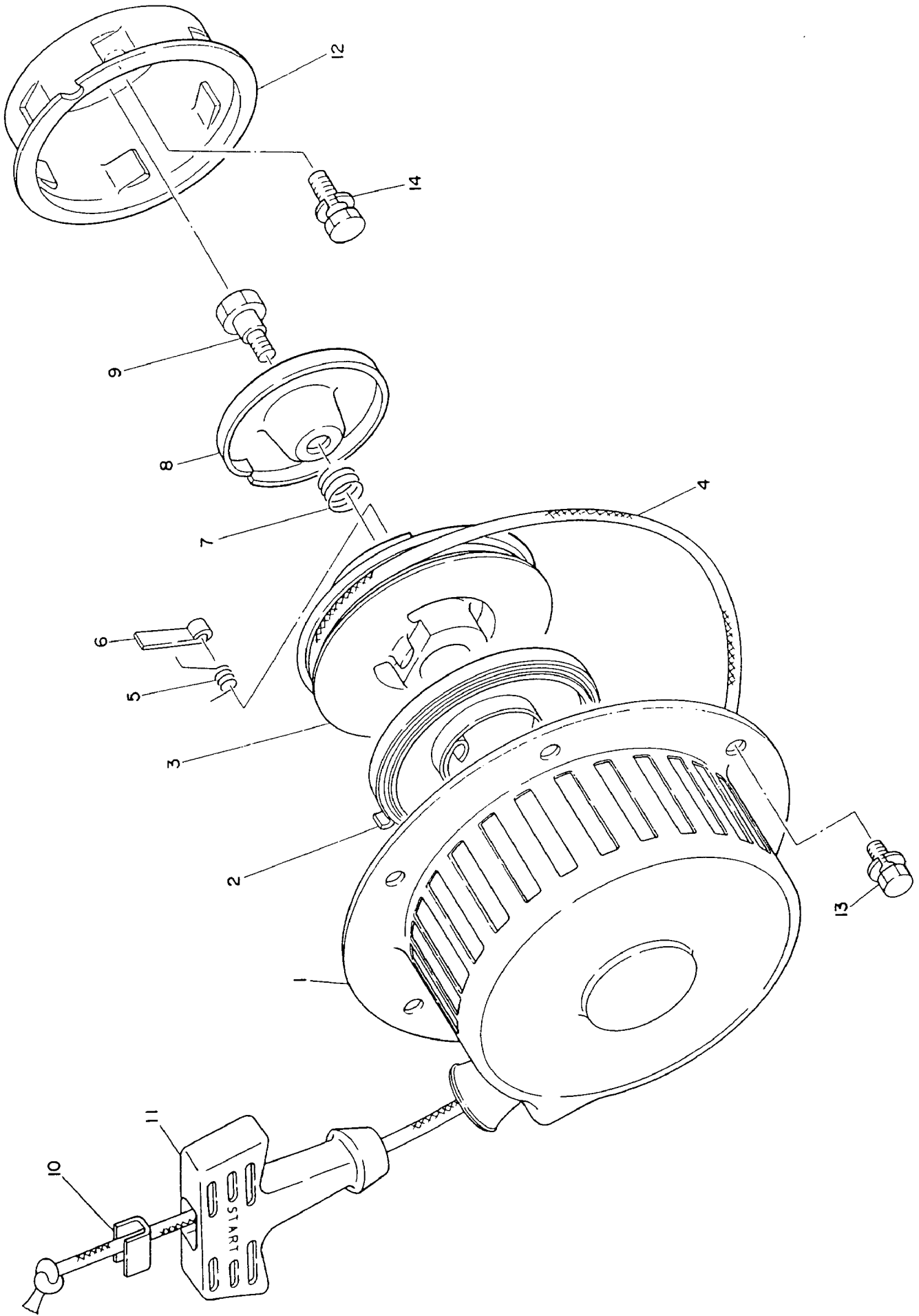
Ref. No.	Part Number	Part Name	Qty	Description	FOB JAPAN IN U.S.\$
26	224 62452 08	SCREW	1		
*27	EC08A-0337	AIR CLEANER ASSY	1	Incl. 28~30	
29	128 32730 08	LABEL	1		
30	128 32602 07	ELEMENT SET	1		
31	001 10051 00	BOLT ASSY	3		
33	106 35201 01	LOCK WASHER	1		
34	209 62335 08	BANJO BOLT	1		
35	207 62345 08	WASHER	2		
36	209 62340 08	BANJO	1		



6. MAGNETO

↔ Interchangeability

Ref. No.	Part Number	Part Name	Qty	Description	FOB JAPAN IN U.S.\$
* 1	EC08A-0701A	MAGNETO COMPL. T.C.I.	1	Incl.2	
2	4M-50748	IGNITION COIL	1		
3	EC05A-7101A	GROMMET	1		
4	065 50001 40	SPARK PLUG CAP	1		
5	004 36052 50	SCREW ASSY	2		
6	065 50001 00	SPARK PLUG CAP	1		
7	EC05A-6121	VINYL PIPE	1		

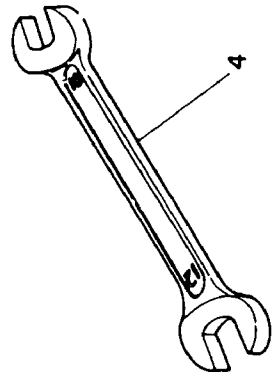
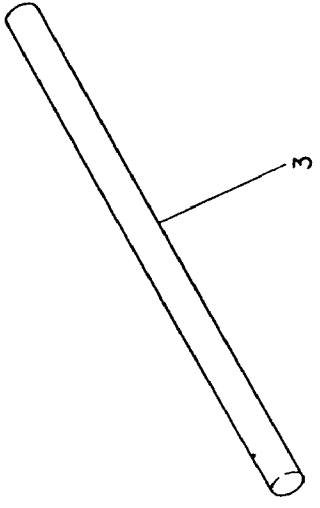
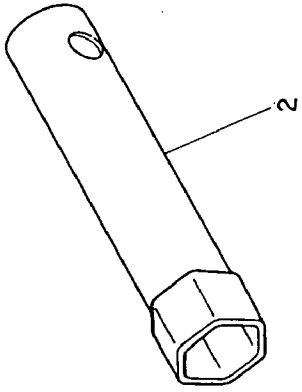
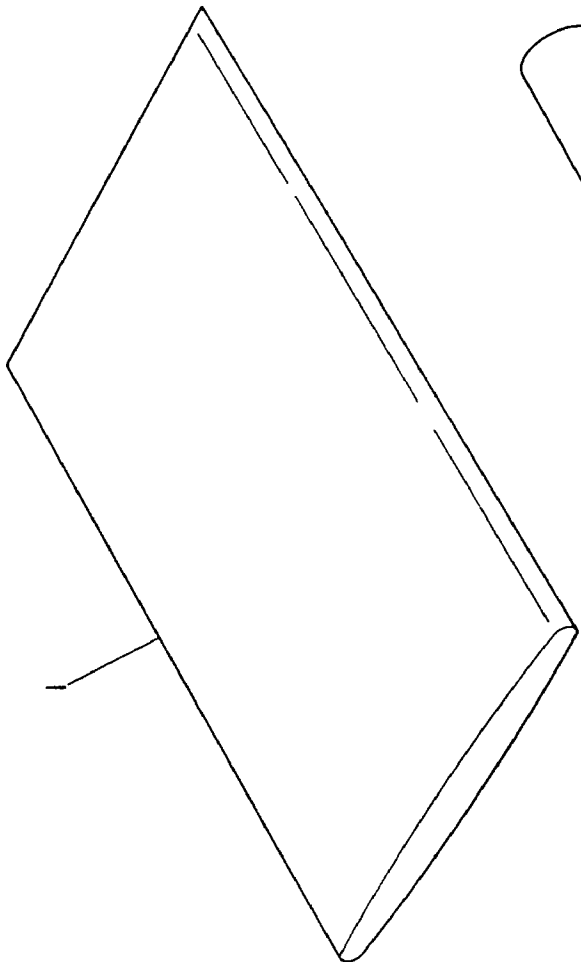


EC08D

7. RECOIL STARTER

↔Interchangeability

Ref. No.	Part Number	Part Name	Qty	Description	FOB JAPAN IN U.S.¢
• 1	EC08-0501A-SA	RECOIL STARTER ASSY	1	Incl. 2~12	
2	EC08A-0503~②	SPIRAL SPRING	1		
3	EC08A-0503~③	REEL	1		
4	EC08-0501A~④	STARTER ROPE	1		
5	EC08A-0503~⑤	RETURN SPRING	1		
6	EC08A-0503~④	RATCHET	1		
7	EC08A-0503~⑦	FRICITION SPRING	1		
8	EC08A-0503~⑧	FRICITION PLATE	1		
9	EC08A-0503~⑥	CENTER SCREW	1		
10	EC08-0501A~⑫	ROPE STOPPER	1		
11	EC08-0501A~⑩	STARTER KNOB	1		
12	EC08A-0503~⑪	STARTER PULLEY	1		
13	001 10061 00	BOLT ASSY	3		
14	001 10061 40	BOLT ASSY	2		



8. ACCESSORIES

↕Interchangeability

Ref. No.	Part Number	Part Name	Qty	Description	FOB JAPAN IN U.S. \$
* 1	EC08-0901	ACCESSORY TOOLS KIT	1	Incl. 2~4	

NOTES

NOTES

NOTES

NOTES

NOTES



Robin America, Inc.

940 Lively Blvd., Wood Dale, IL 60191 • Tel: (708) 350-8200 • Fax: (708) 350-8212