



PARTS CATALOG

ロビンエンジン
Robin Engines

Model

EC10

MEIWA RAMMER E/G SPEC : EC100DD6290

FOB UNIT PRICE LIST


ISSUED NOVEMBER 1, 1990

THE TERM OF VALIDITY: AUGUST 31, '92

ROBIN AMERICA, INC.
EP-RX-60
REV. DATE 11-90

MEIWA (K) RAMMER
MODEL: RX-60

FUJI HEAVY INDUSTRIES LTD.

 富士重工業株式会社

GROUP INDEX

1. CRANKCASE GROUP	100
2. CRANKSHAFT, PISTON GROUP	200
3. INTAKE, EXHAUST GROUP	300
4. GOVERNOR, OPERATION	400
5. COOLING, STARTING	500
6. FUEL, LUBRICANT GROUP	600
7. ELECTRIC DEVICE GROUP	700
9. ACCESSORIE, LABEL	900
10. OTHERS	1000

Note: Contents of this list is subject to change without notice.

Fig. 100

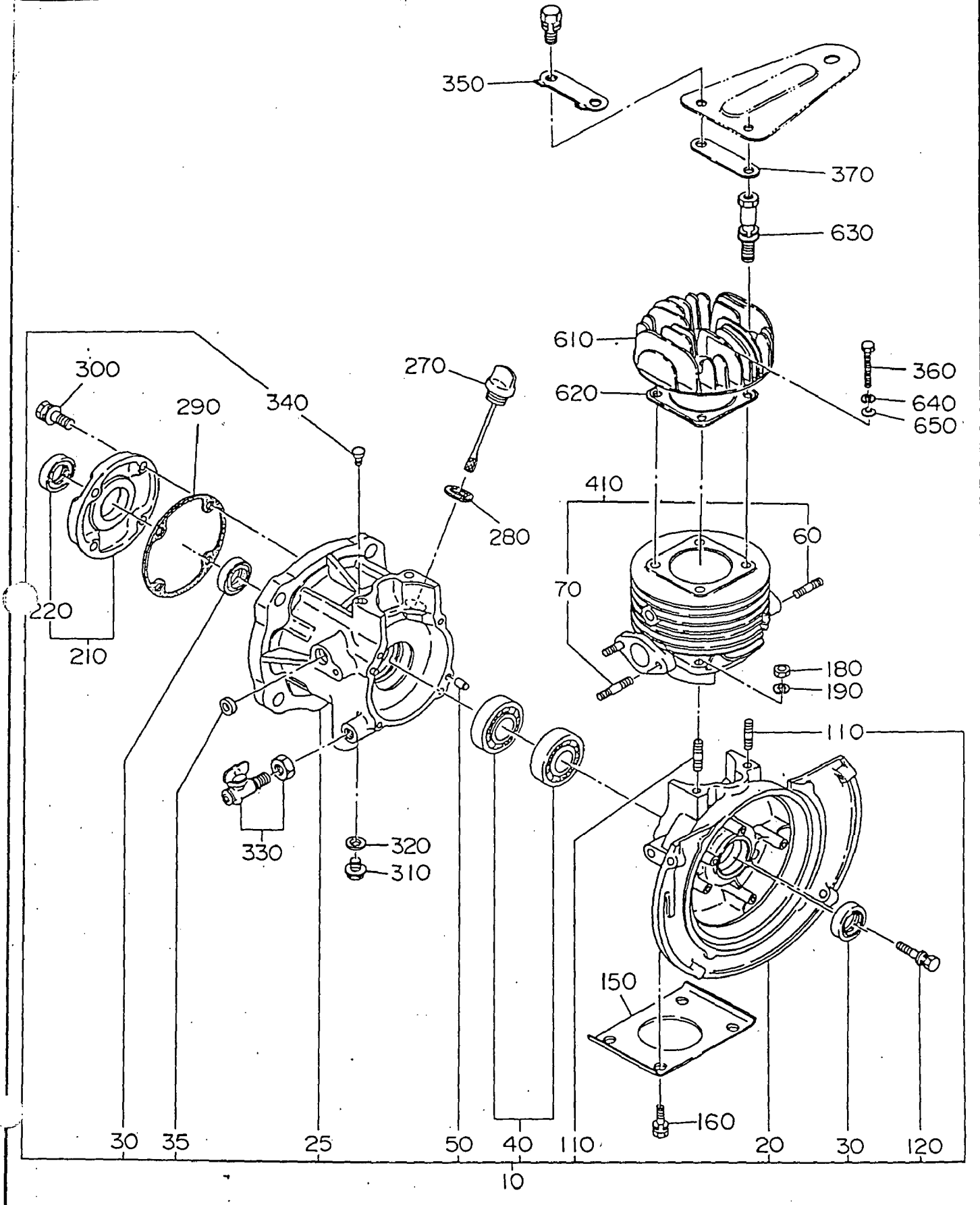


Fig. 200

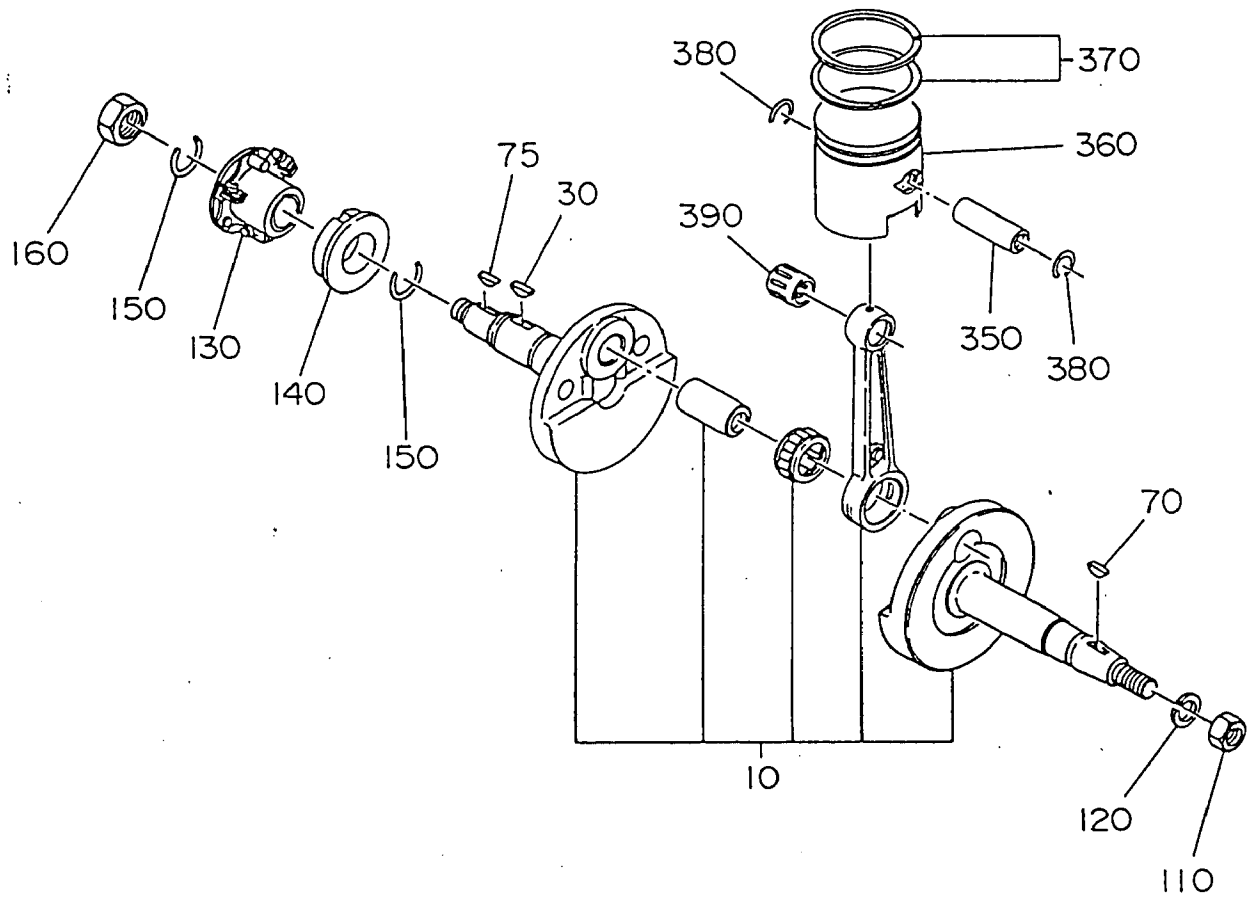


Fig. 300

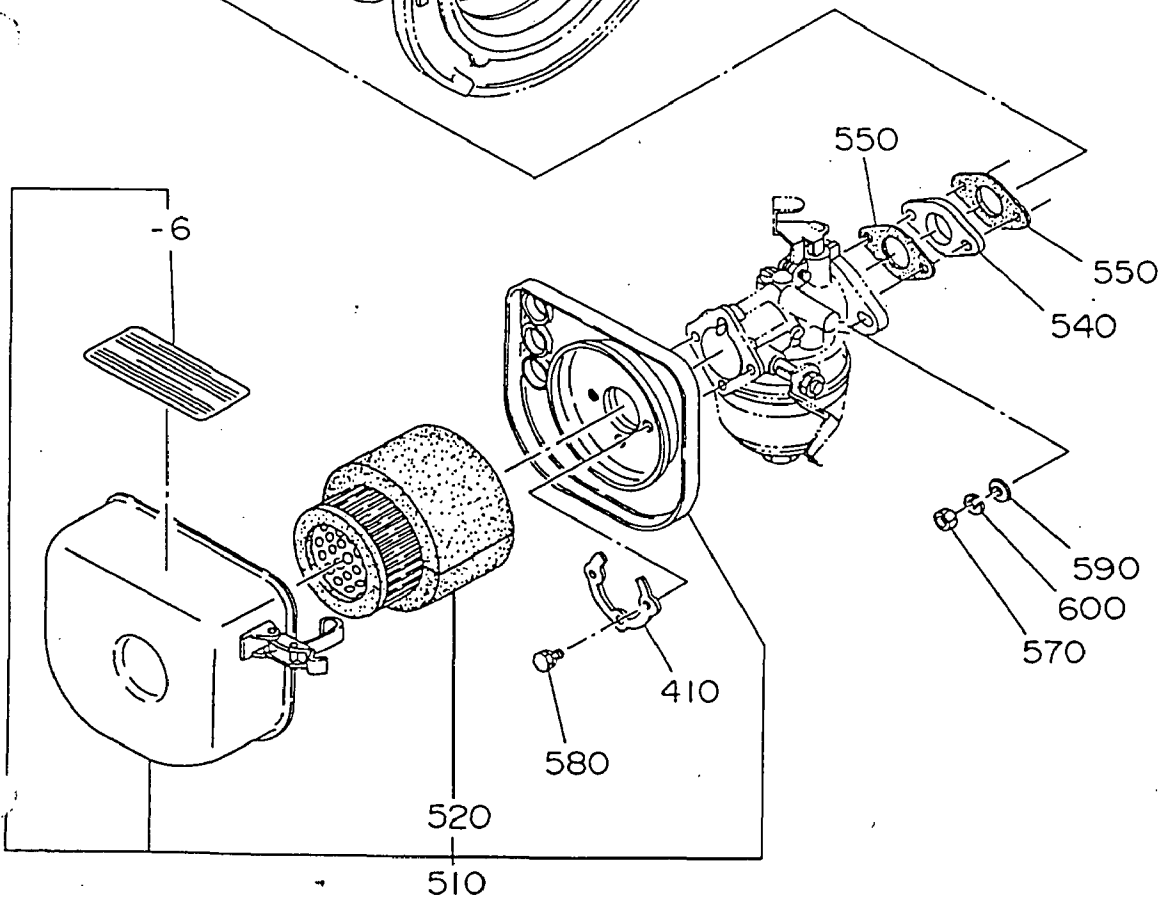
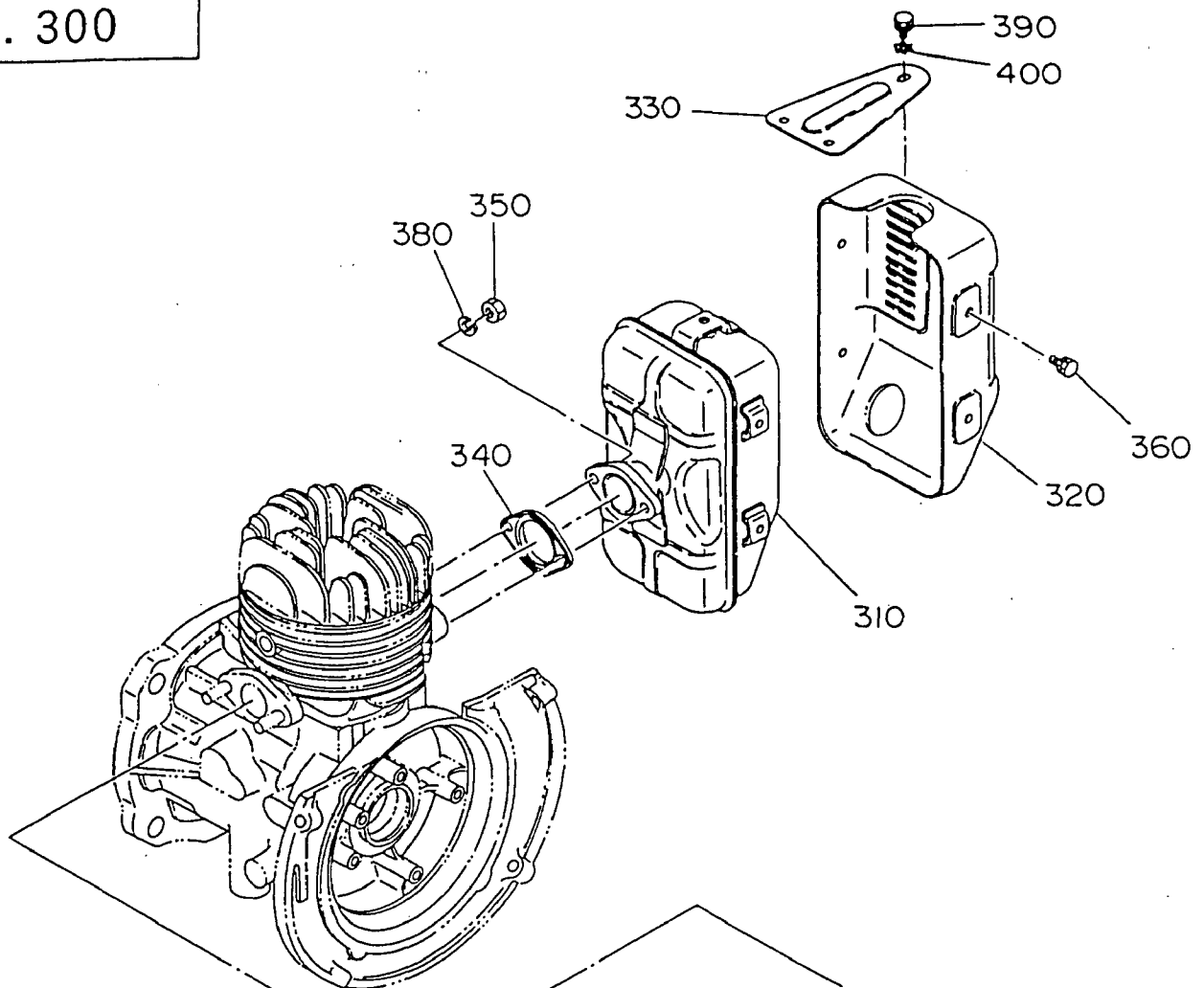


Fig. 400

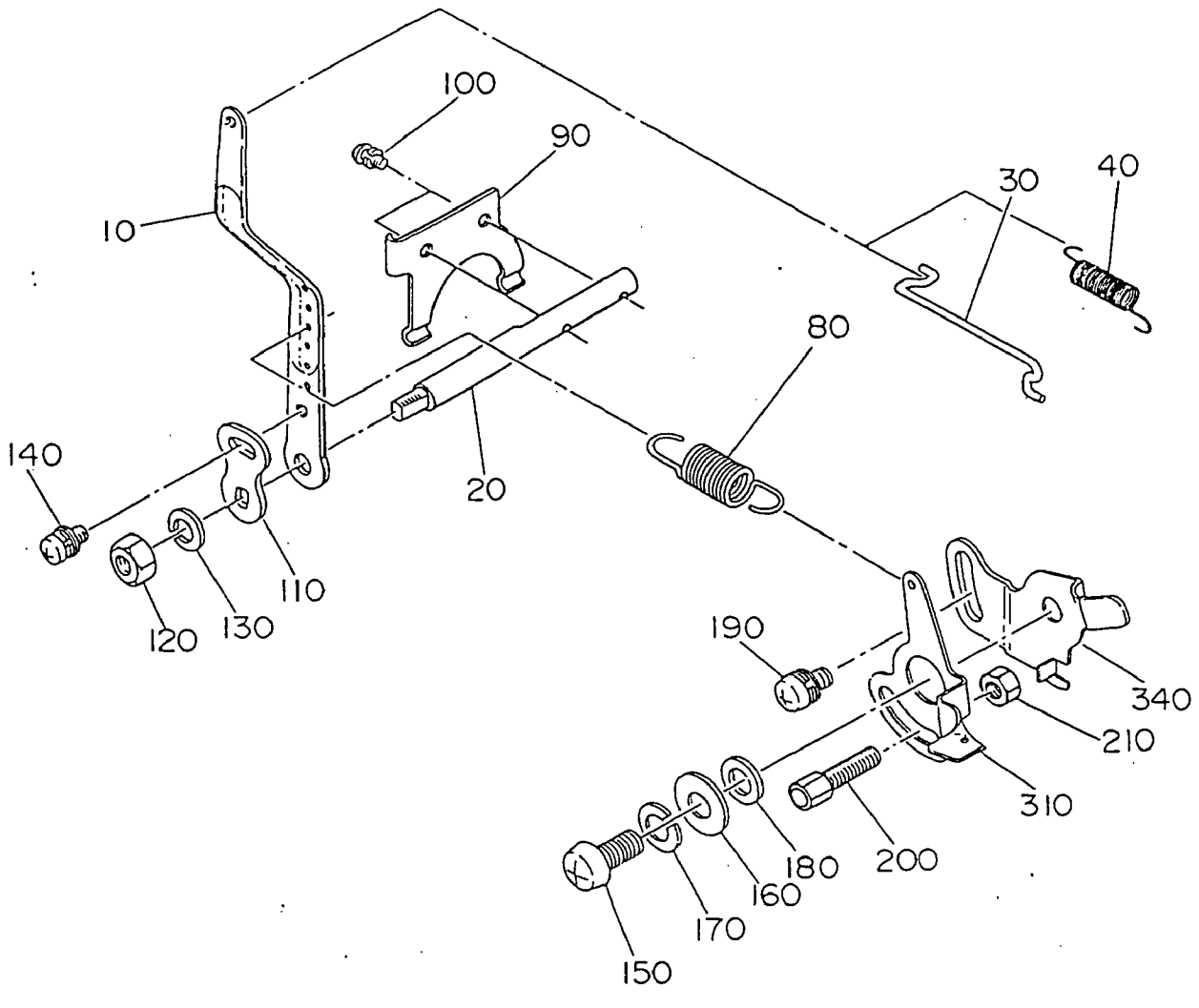


Fig. 500

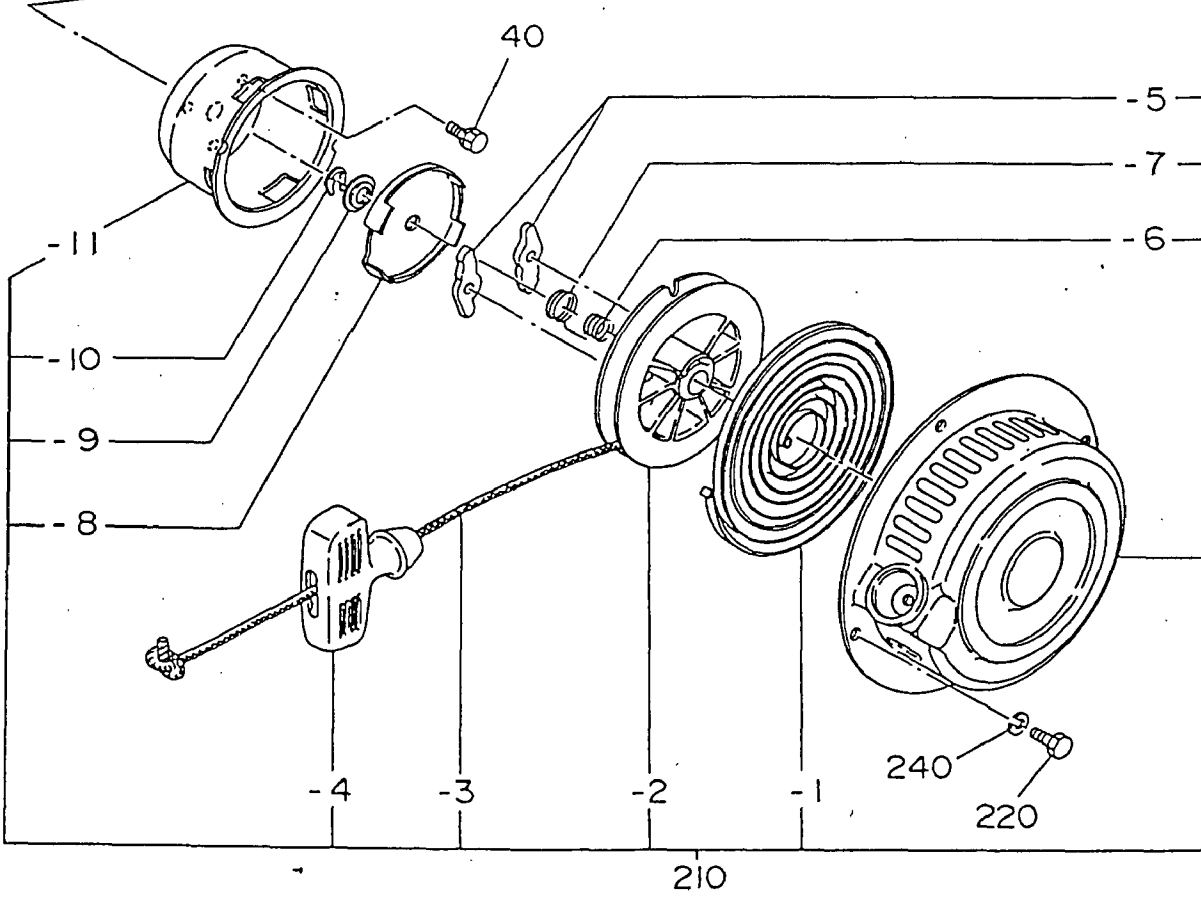
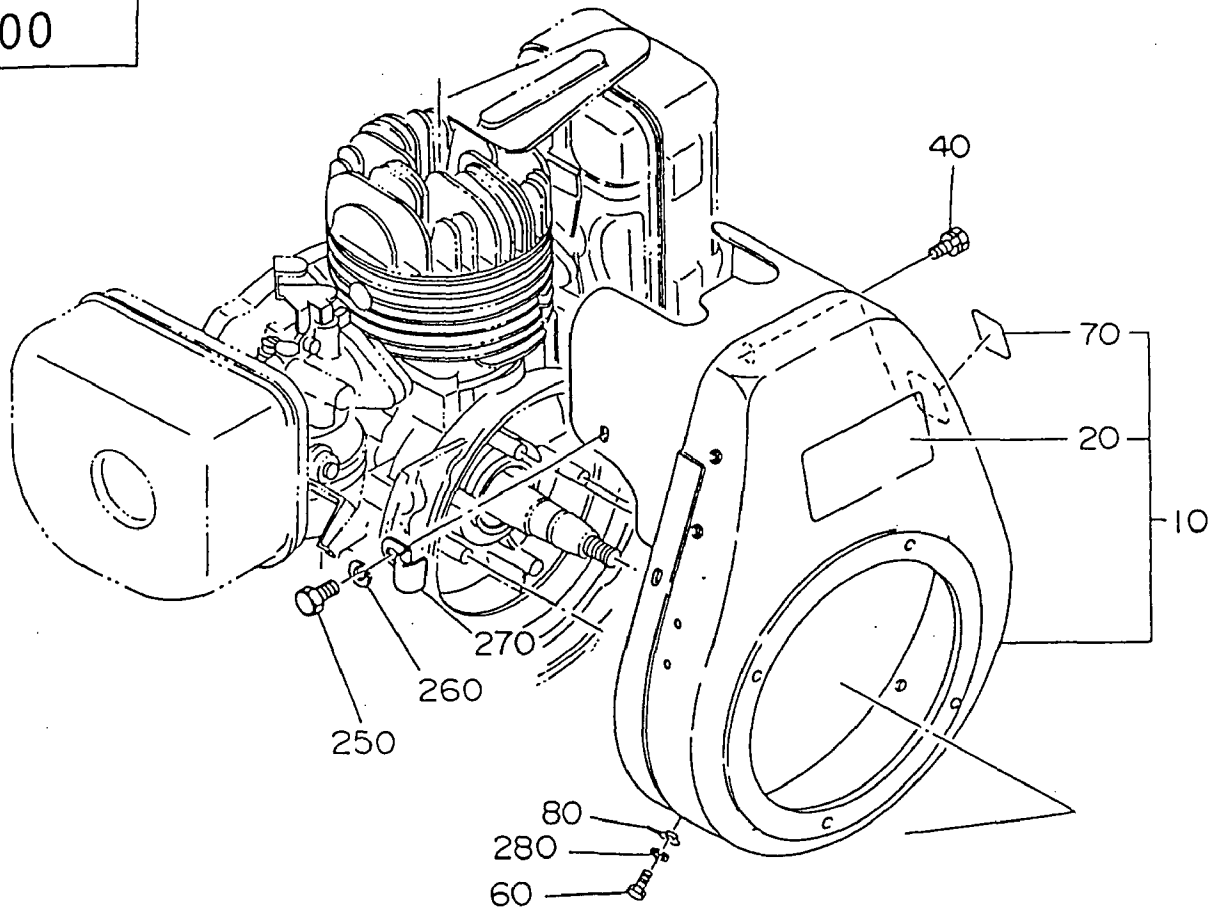
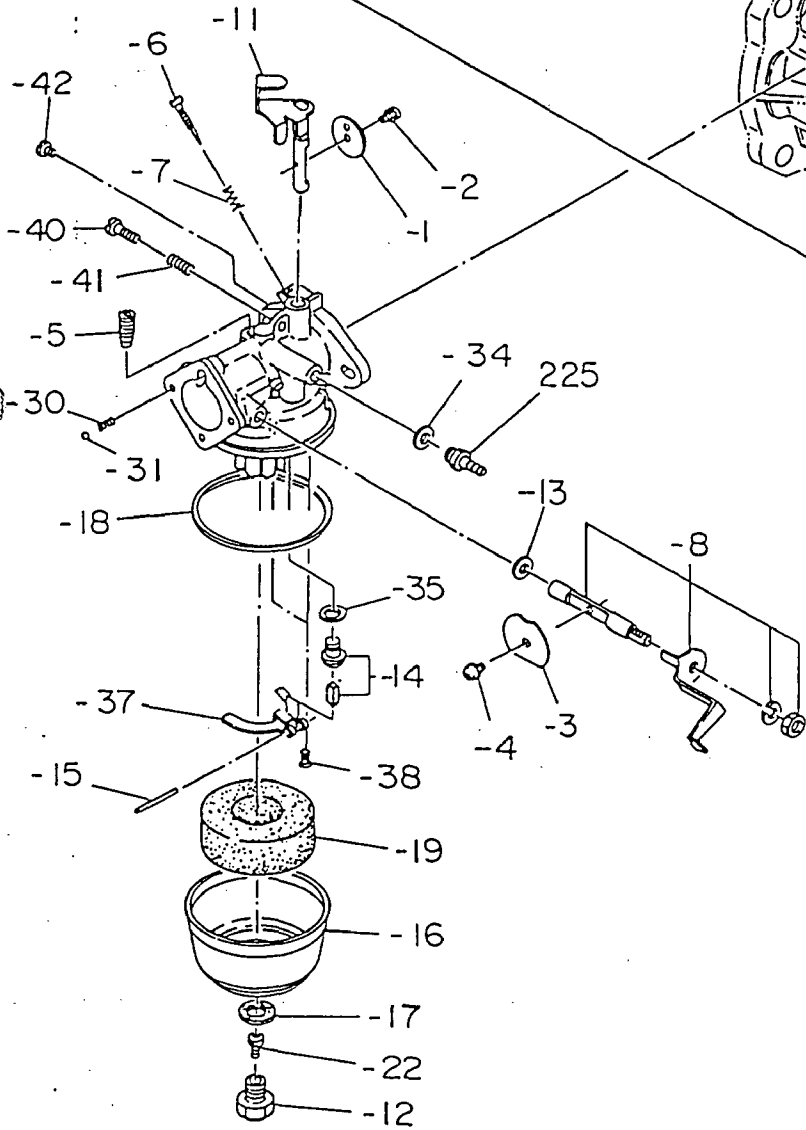
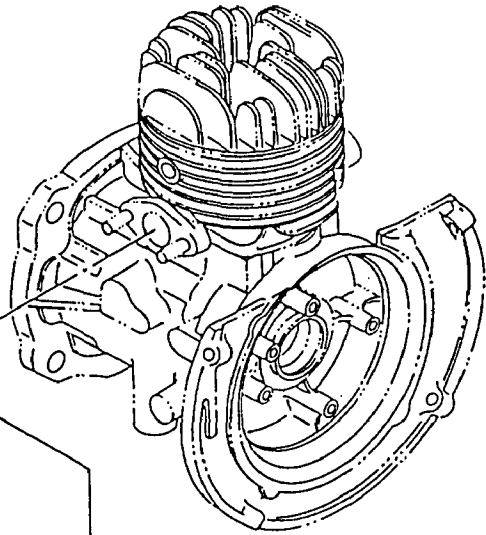
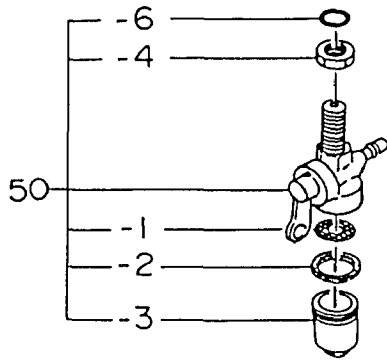
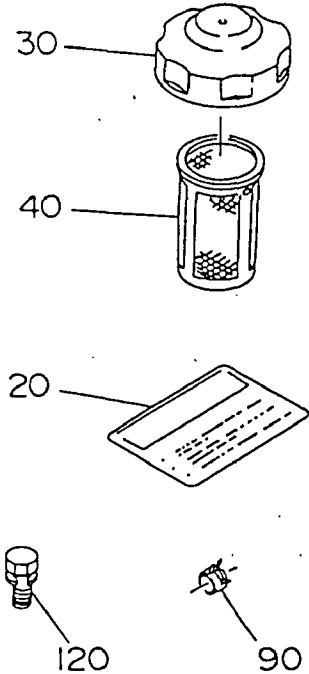


Fig. 600



PARTS TO BE SHIPPED LOOSE



6 FUEL, LUBRICANT GROUP

REF.	PART NUMBER	PART NAME	QTY	REMARKS	CODE NO.	INTERCHANGE P/NO.	UNIT P	FIG.
20	106-92011-03	LABEL(CAUTION)	1		-			600
30	043-04400-33	FUEL TANK CAP CP	1		-			600
40	064-13100-10	FUEL FILTER	1		-			600
50	064-20014-01	FUEL STRAINER AY	1		-			600
- 1	064-20014-20	SCREEN	1		-			600
- 2	064-20014-30	RUBBER PACKING	1		-			600
- 3	064-20014-10	CUP	1		-			600
- 4	064-20029-20	LOCK NUT	1		-			600
- 6	064-20003-30	O-RING	1		-			600
- 8	064-20027-90	LOCK BOLT	1		-			600
90	056-11000-30	HOSE CLAMP	2		-			600
120	001-13081-60	BOLT & WASHER AY	2		-			600
140	085-10400-00	RUBBER PIPE	1	4.5X11XM	-			600
210	106-62514-00	CARBURETOR AY	1		-			600
- 1	106-62538-08	THROTTLE VALVE	1		-			600
- 2	209-62351-08	SCREW	1		-			600
- 3	106-62527-08	CHOKE VALVE	1		-			600
- 4	209-62351-08	SCREW	1		-			600
- 5	207-62420-08	PILOT JET	1		-			600
- 6	106-62436-08	PILOT SCREW	1		-			600
- 7	206-62446-08	SPRING	1		-			600
- 8	106-62553-08	SHAFT AY(CHOKE)	1		-			600
- 11	106-62534-08	SHAFT AY(THROTTLE)	1		-			600
- 12	206-62350-08	BOLT	1		-			600
- 14	128-62500-08	NEEDLE VALVE	1		-			600
- 15	106-62516-08	FLOAT PIN	1		-			600
- 16	106-62389-08	FLOAT CHAMBER	1		-			600
- 17	206-62431-08	PACKING	1		-			600
- 18	106-62547-08	PACKING	1		-			600
- 19	106-62508-08	FLOAT	1		-			600
- 22	207-62403-08	MAIN JET	1		-			600
- 30	209-62446-08	CHOKE SPRING	1		-			600
- 31	209-62353-08	STEEL BALL	1		-			600
- 34	207-62345-08	INSERT WASHER	1		-			600
- 35	106-62381-08	WASHER	1		-			600
- 37	106-62511-08	FLOAT ARM	1		-			600
- 38	130-62358-08	SCREW	2		-			600
- 40	106-62358-08	SCREW	1		-			600
- 41	206-62446-08	SPRING	1		-			600
- 42	106-62357-08	GUIDE SCREW	1		-			600
- 62	106-62392-18	SEAL	1		-			600

Fig. 700

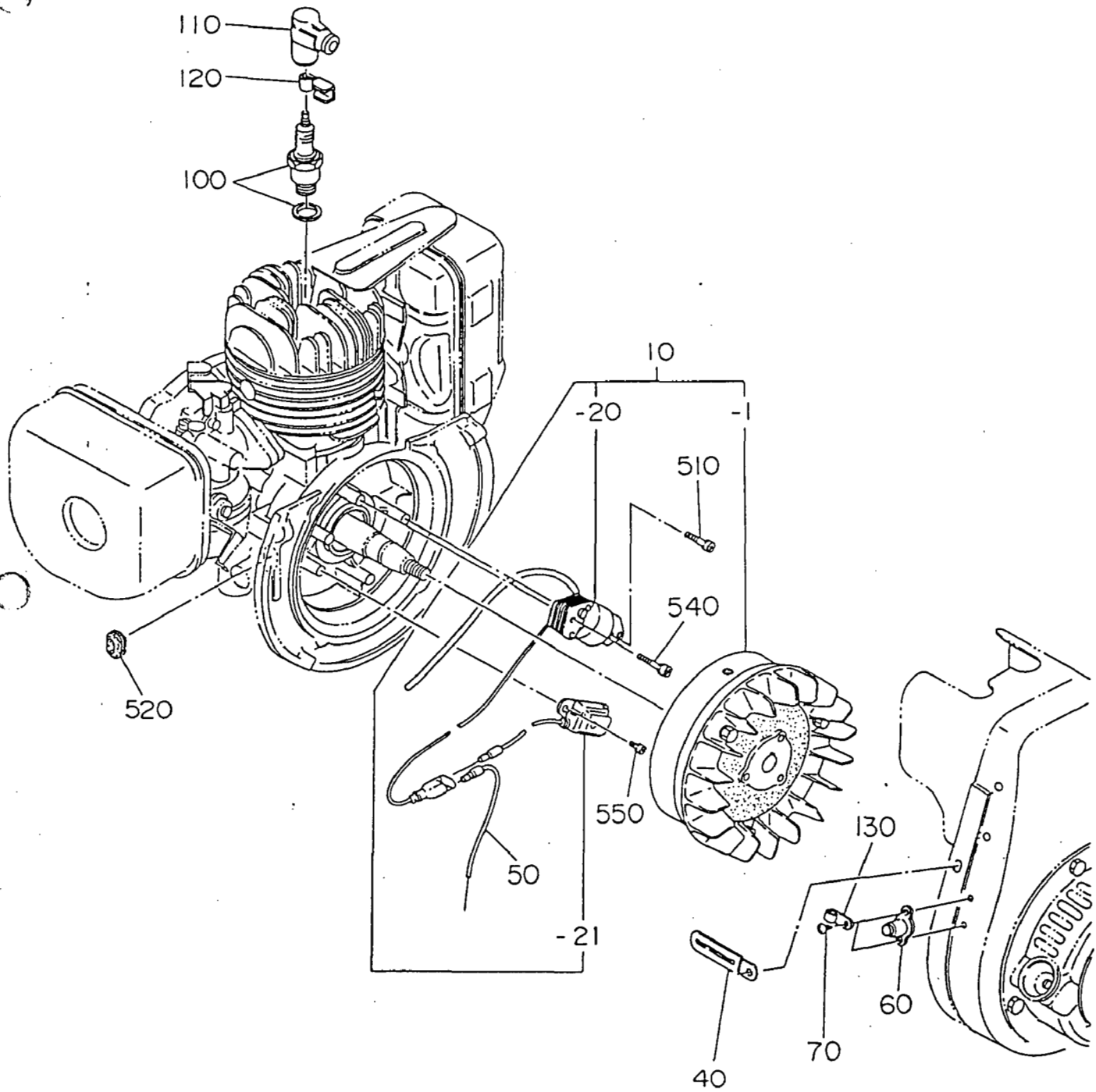


Fig. 900

