

Robin Industrial Engines®

OEM PARTS MANUAL

Model

EC10D M-B-W

1193M312



ROBIN AMERICA, INC.
ROBIN TO WISCONSIN ROBIN
ENGINE MODEL CROSS REFERENCE LIST

ROBIN

WISCONSIN ROBIN

SIDE VALVE

EY08	W1-080
EY15	W1-145
EY15V	W1-145V
EY20	W1-185
EY20V	W1-185V
EY23	W1-230
EY28	W1-280
EY35	W1-340
EY40	W1-390
EY45V	W1-450V
EY21	EY21W
EY44	EY44W
EY18-3	EY18-3W
EY25	EY25W
EY27	EY27W

OVERHEAD VALVE

EH11	W01-115
EH12	W01-120
EH15	W01-150
EH17	W01-170
EH21	W01-210
EH25	W01-250
EH30	W01-300
EH30V	W01-300V
EH34	W01-340
EH34V	W01-340V
EH43V	W01-430V

TWO CYCLE

EC13V	WT1-125V
-------	----------

DIESEL

DY23	WRD1-230
DY27	WRD1-270
DY30	WRD1-300
DY35	WRD1-350
DY41	WRD1-410

Engine Model EC10D for M-B-W

Specification EC100DD6140

Introduction

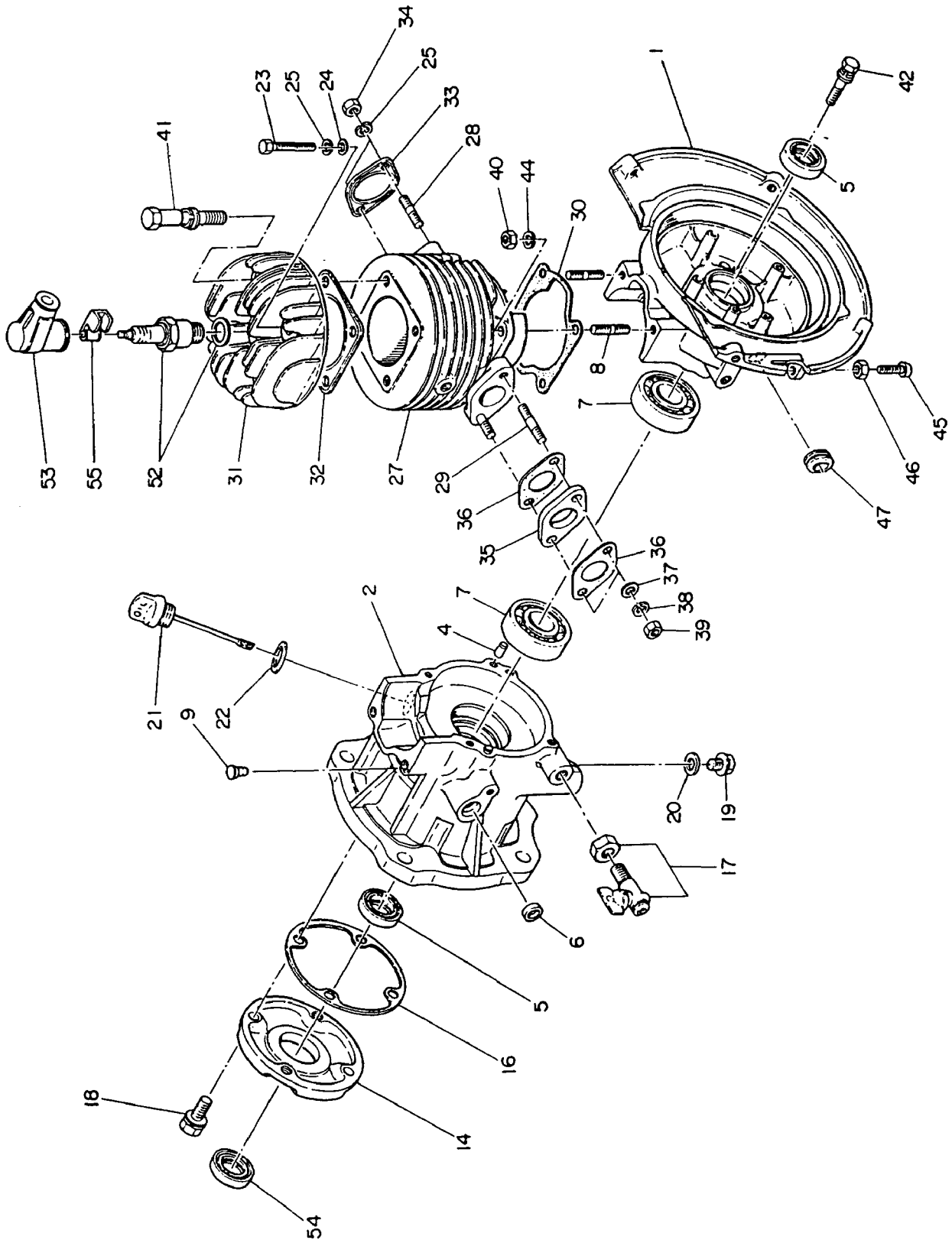
This catalog is designed to identify **Robin Engine** parts.

When ordering parts, it is always advisable to list the engine model, specification number and serial number. With this information, we can check your order for any incorrect part numbers. Use your Service Parts List to ensure proper part number and nomenclature identification.

ROBIN AMERICA INC. reserves the right to modify, alter and improve engines and parts. Part numbers and the structure of parts may change from those shown in this catalog.

Table of Contents

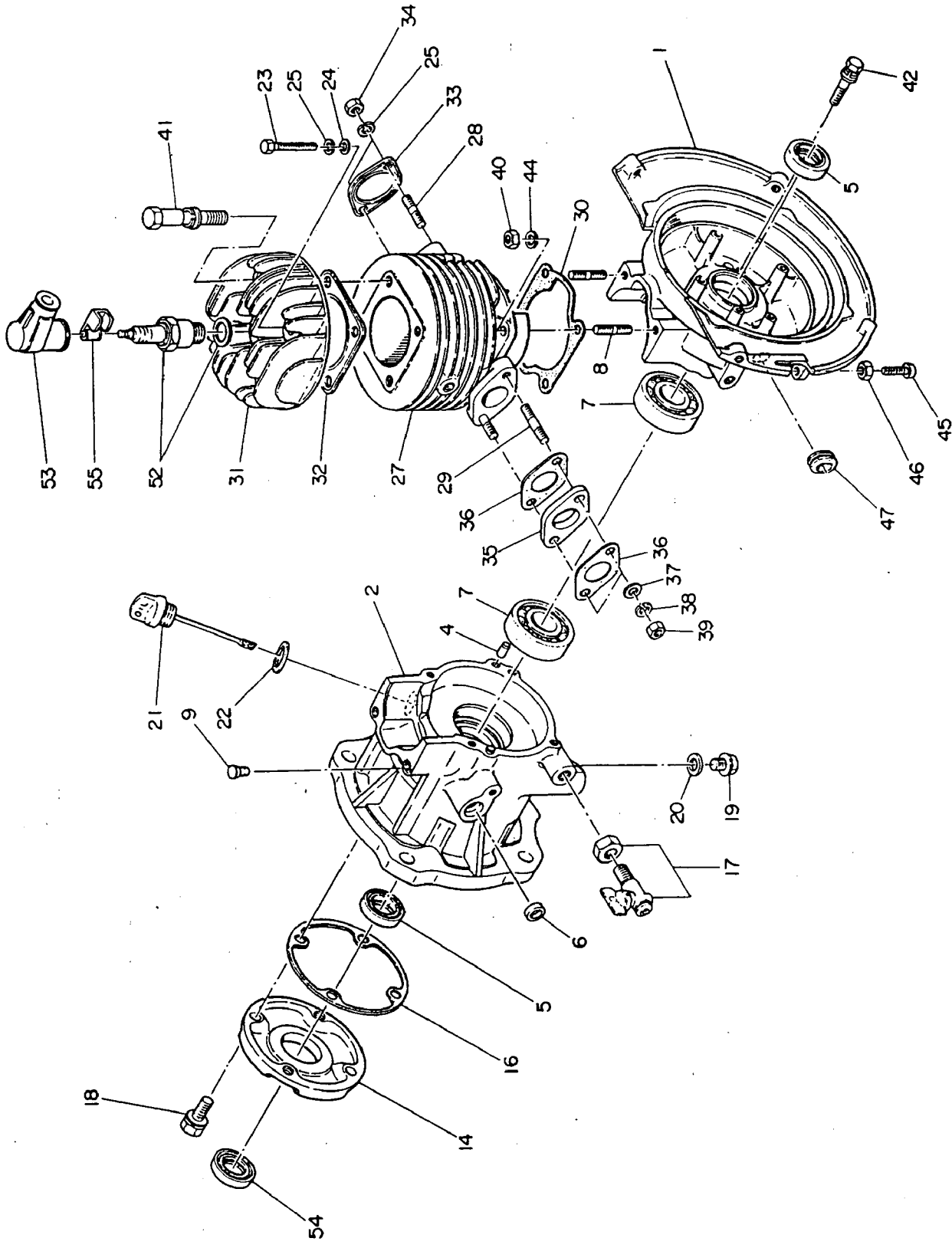
Crankcase and Cylinder	1
Crankshaft and Piston	2
Governor	3
Blower Housing and Muffler	4
Carburetor and Air Cleaner	5
Magneto (Solid State Type)	6a
Magneto (Point Type)	6b
Recoil Starter	7
Accessories	8



1. CRANKCASE AND CYLINDER

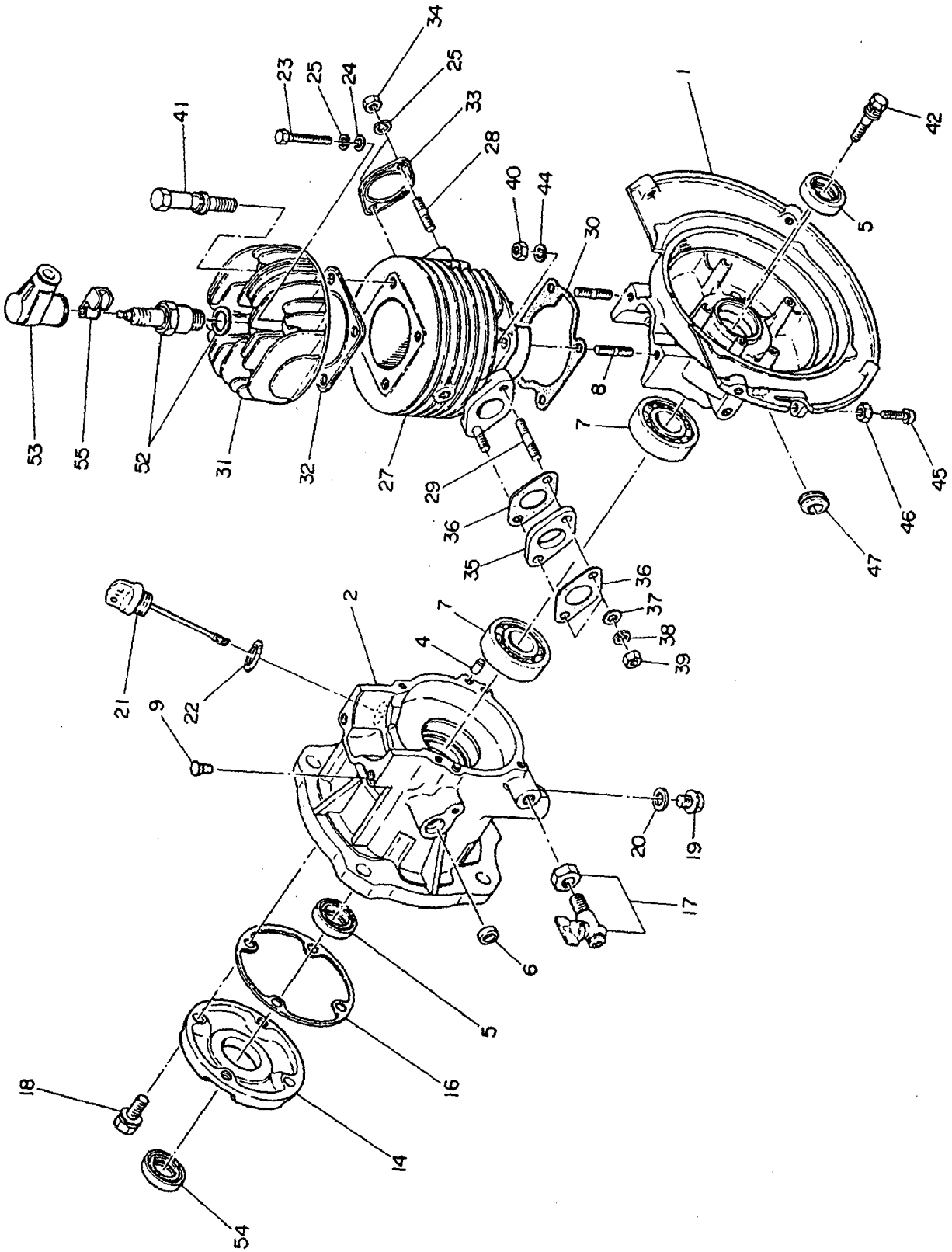
↔ Interchangeability

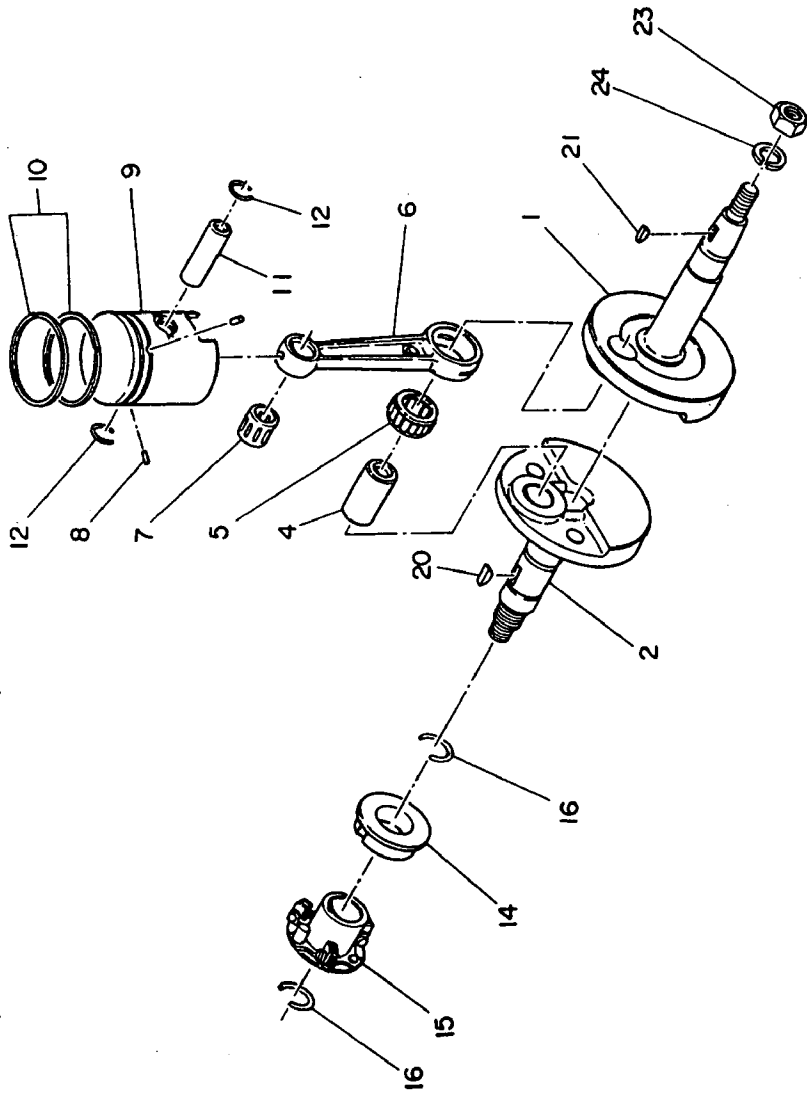
Ref. No.	Part Number	Part Name	Q'ty	Description	FOB JAPAN IN U.S. \$
* 1	106 10714 01	CRANKCASE COMPL.	1	Incl. 2, 4~9, 42 for T.C.I. MAGNETO	
* 1	106 10703 11	CRANKCASE COMPL.	1	Incl. 2, 4~9, 42	
* 1	106 10703 01	CRANKCASE COMPL.	1	Incl. 2, 4~9, 42	
1	106 10121 03	CRANKCASE 1	1	for T.C.I. MAGNETO	
1	106 10101 33	CRANKCASE 1	1		
1	106 10101 23	CRANKCASE 1	1		
2	106 10703 23	CRANKCASE 2	1		
2	106 10703 13	CRANKCASE 2	1		
2	106 10703 03	CRANKCASE 2	1		
4	031 00600 10	DOWEL PIN	2		
5	044 02000 10	OIL SEAL	2		
6	044 00800 10	OIL SEAL	1		
7	060 02000 20	BALL BEARING	2		
8	010 50700 10	STUD	4		
8	010 50600 90	STUD	4		
9	067 00701 00	AIR BREATHER	1		
*14	106 11601 11	CRANKCASE COVER COMPL.	1	Incl. 54	
16	106 15002 03	GASKET (case cover)	1		
17	064 30001 00	DRAIN COCK	1		
18	001 14061 60	BOLT AND WASHER ASSY.	4		
19	040 10800 10	PLUG	1		
20	021 00800 10	GASKET	1		
21	106 63606 01	OIL GAUGE COMPL.	1		
22	021 01600 10	GASKET	1		
23	010 30800 10	BOLT	2		

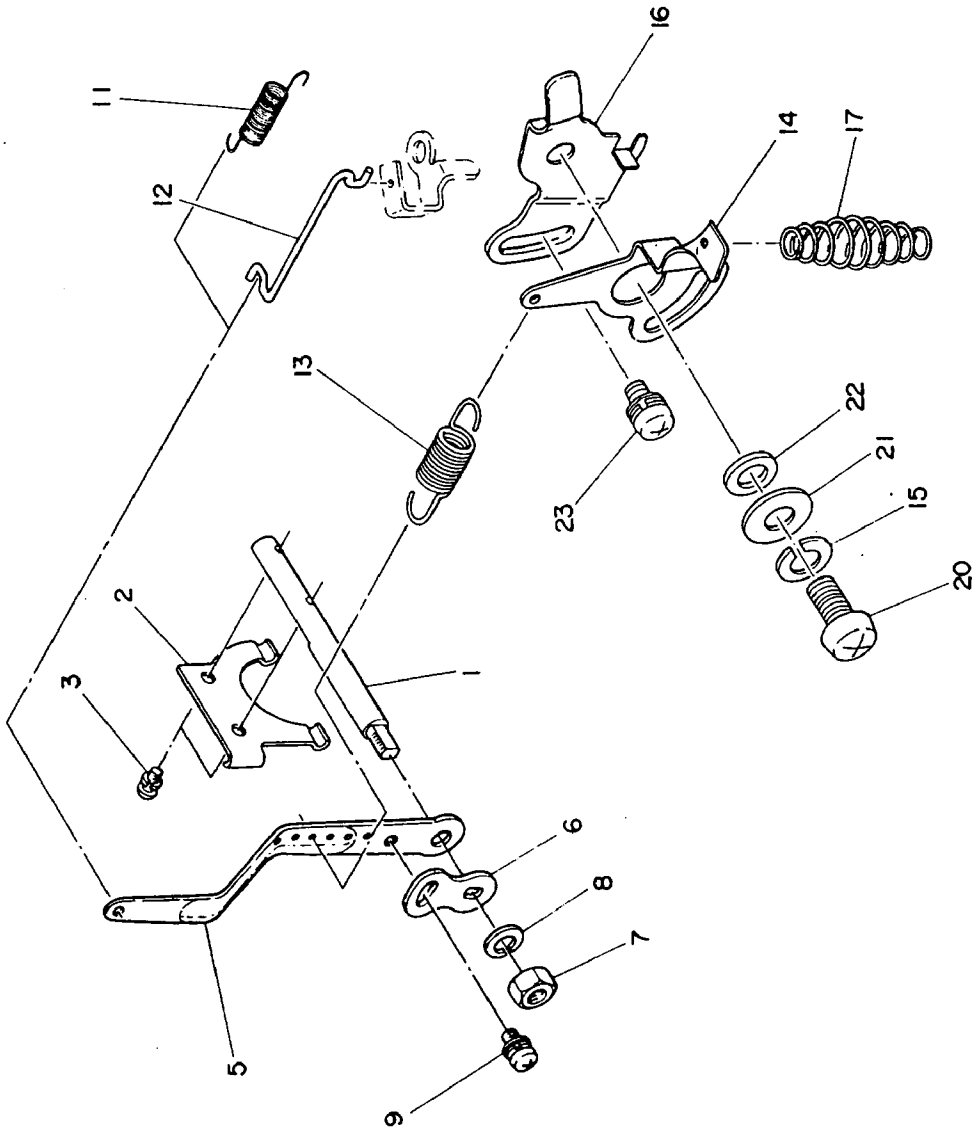


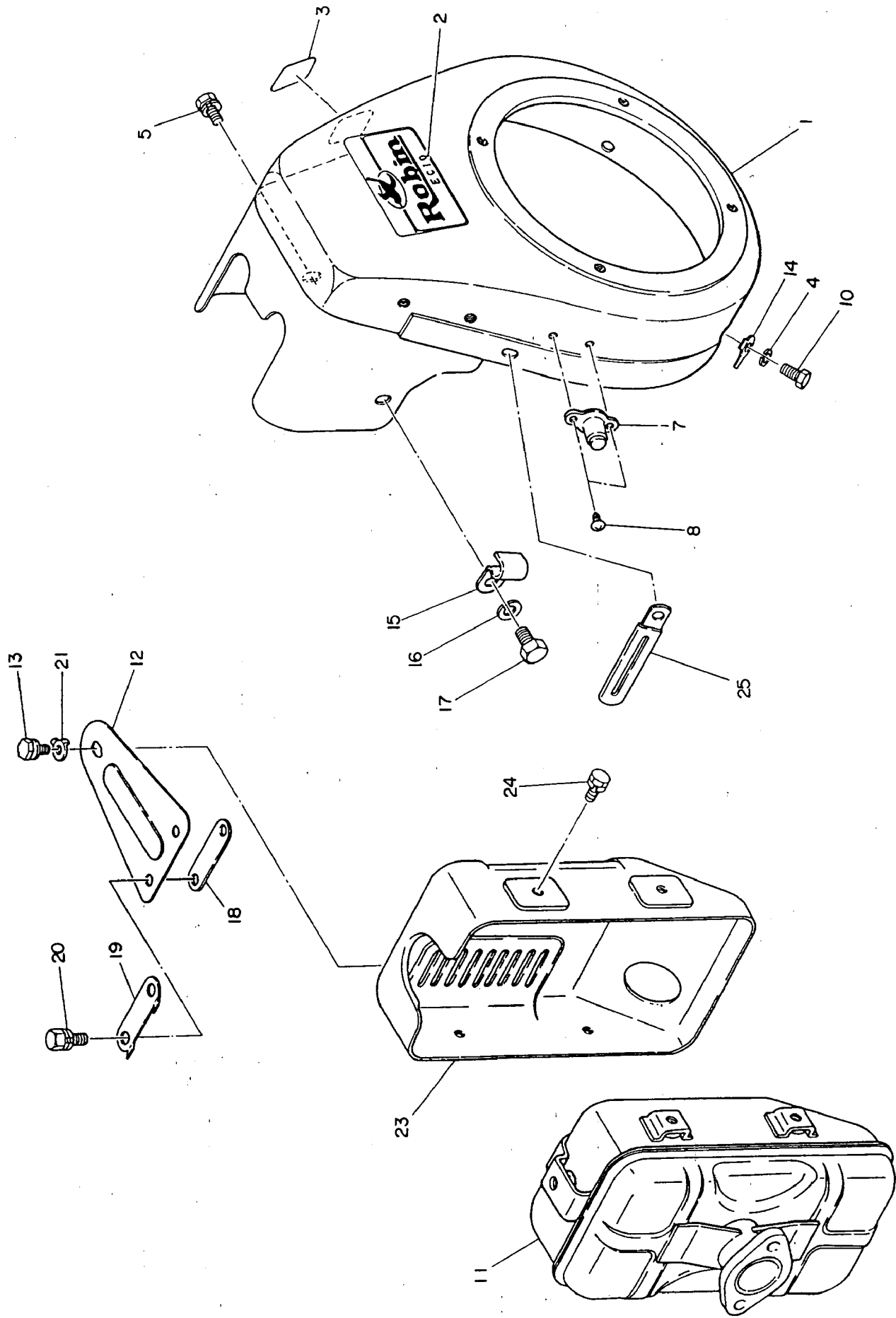
1. CRANKCASE AND CYLINDER

Ref. No.	Part Number	Part Name	Qty	Description	FOB JAPAN IN U.S.\$
24	003 10080 00	WASHER	2		
25	003 20080 00	SPRING WASHER	4		
*27	106 12405 11	CYLINDER COMPL.	1	Incl. 28, 29	
28	001 31083 01	STUD	2		
29	001 31063 01	STUD	2		
30	106 15001 23	GASKET (cylinder)	1		
31	106 13001 13	CYLINDER HEAD	1		
32	106 15101 11	GASKET COMPL. (head)	1		
33	106 35102 01	GASKET COMPL. (exhaust)	1		
34	002 19080 00	NUT	2		
35	106 32902 03	INSULATOR	1		
36	106 35001 03	GASKET (insulator)	2		
37	003 10060 00	WASHER	2		
38	003 20060 00	SPRING WASHER	2		
39	002 27060 00	NUT	2		
40	017 00700 20	NUT	4	X	
40	002 18060 00	NUT	4	X	
41	013 00800 71	BOLT AND WASHER ASSY.	2		
42	001 14063 50	BOLT AND WASHER ASSY.	4		
44	020 30700 10	SPRING WASHER	4	X	
44	003 21060 00	SPRING WASHER	4	X	
45	014 90600 40	ADJUSTING SCREW	1		
46	002 27060 00	NUT	1		
47	024 10700 90	GROMMET	1		





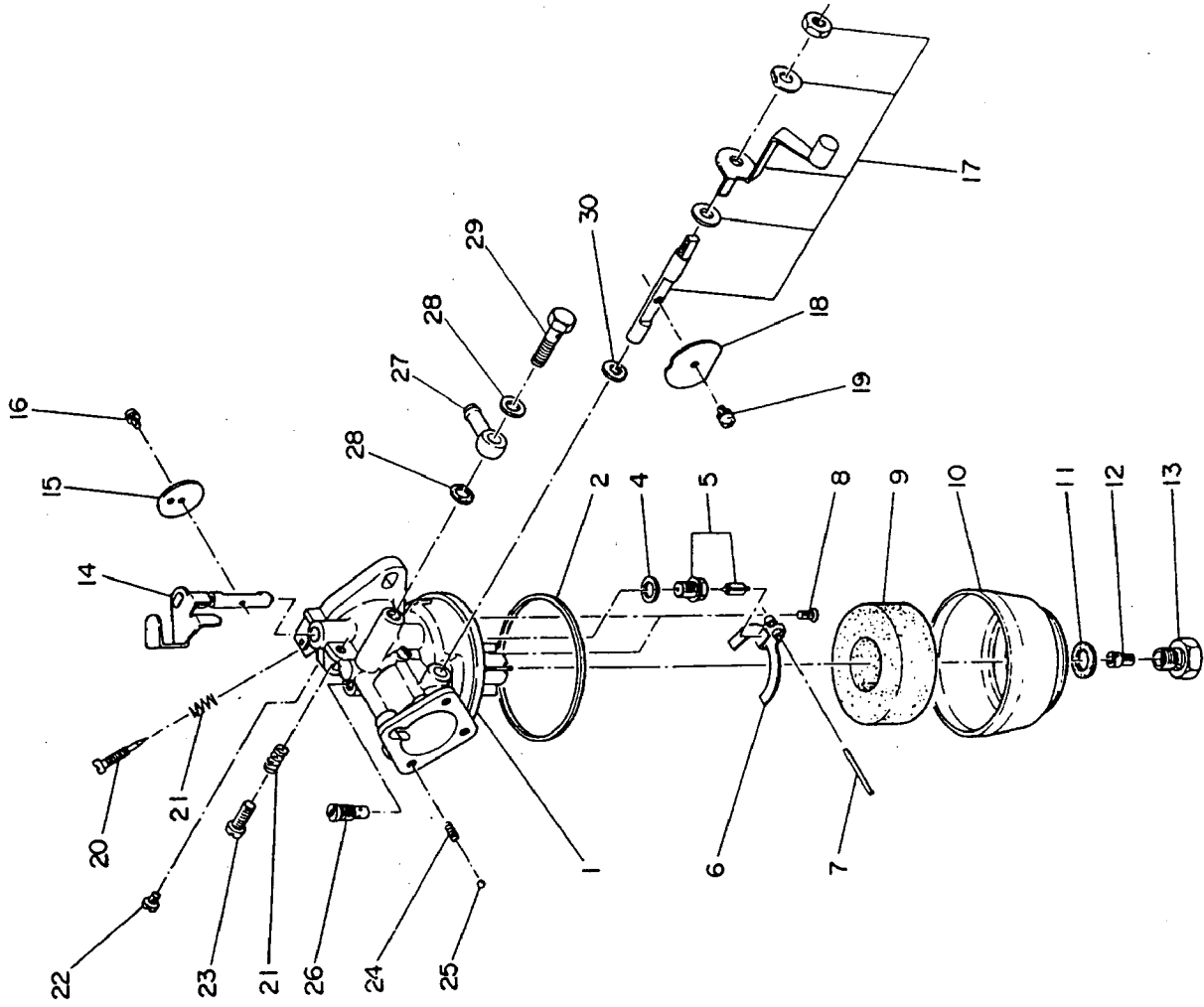




4. BLOWER HOUSING AND MUFFLER

↵ Interchangeability

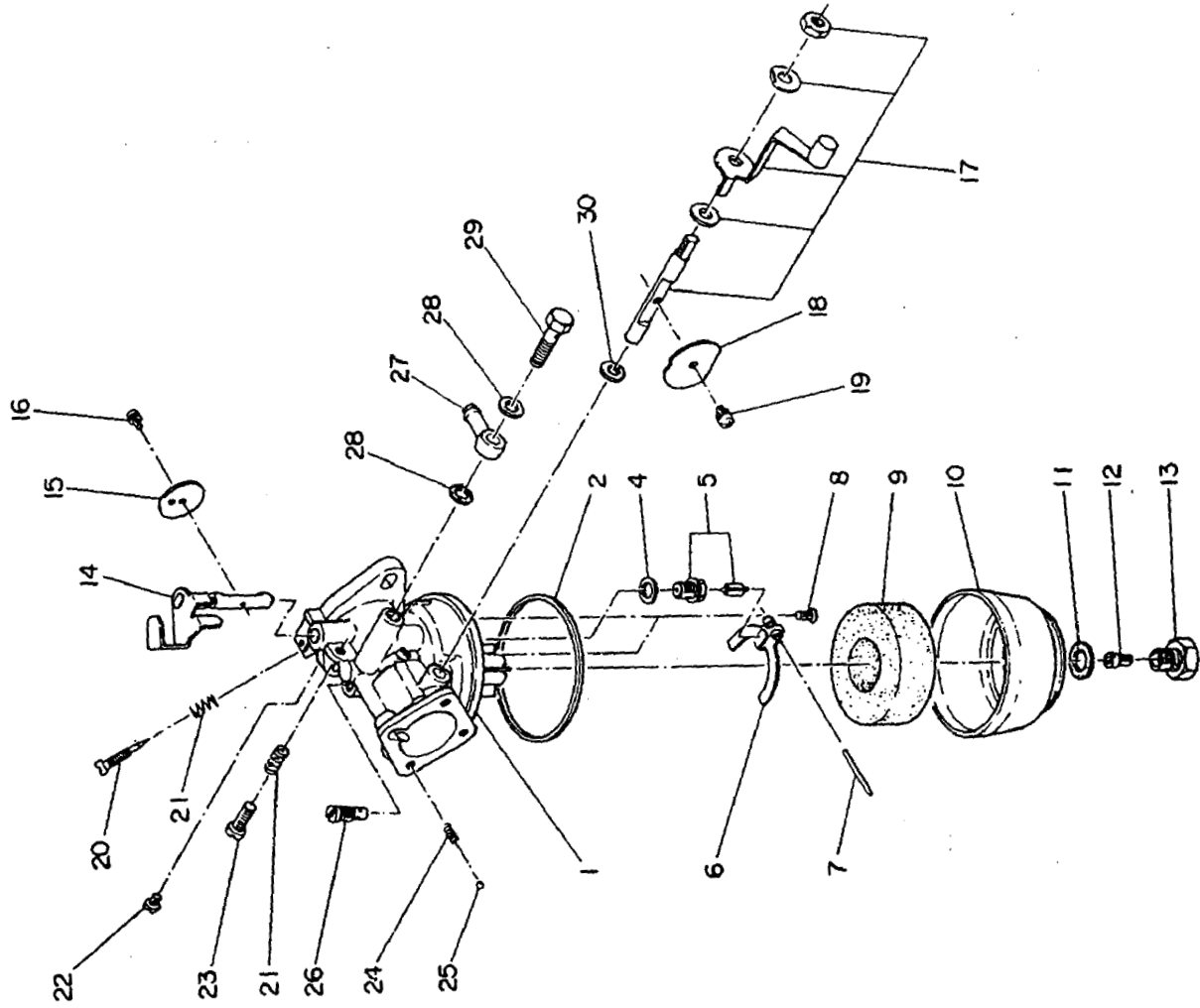
Ref. No.	Part Number	Part Name	Qty	Description	FOB JAPAN IN U.S. \$
• 1	106 51839 01	BLOWER HOUSING COMPL.	1	Incl. 2,3 for I.C.I. MAGNETO	
• 1	106 51821 11	BLOWER HOUSING COMPL.	1	Incl. 2,3	
2	106 91706 03	LABEL (trade mark)	1		
3	106 91811 23	LABEL (engine name)	1		
4	003 20060 00	SPRING WASHER	4		
5	001 10061 20	BOLT AND WASHER ASSY.	1		
7	066 20000 11	STOP BUTTON	1		
8	015 00400 10	TAPPING SCREW	2		
10	001 66061 20	BOLT	4		
11	106 30116 31	MUFFLER COMPL.	1		
12	106 35601 31	BRACKET (muffler)	1		
13	001 13081 60	BOLT AND WASHER ASSY.	1		
14	020 50600 10	LOCK WASHER	4		
15	106 75017 01	CLAMP COMPL.	1		
16	003 20080 00	SPRING WASHER	1		
17	001 65081 20	BOLT	1		
18	106 35302 01	SPACER	1		
19	105 65101 21	LOCK WASHER (tank)	1		
20	001 13081 60	BOLT AND WASHER ASSY.	2		
21	020 50800 11	LOCK WASHER	1		
23	106 34251 21	MUFFLER COVER COMPL.	1		
24	001 16061 00	BOLT AND WASHER ASSY.	4		
25	150 75201 03	CLAMP	1		

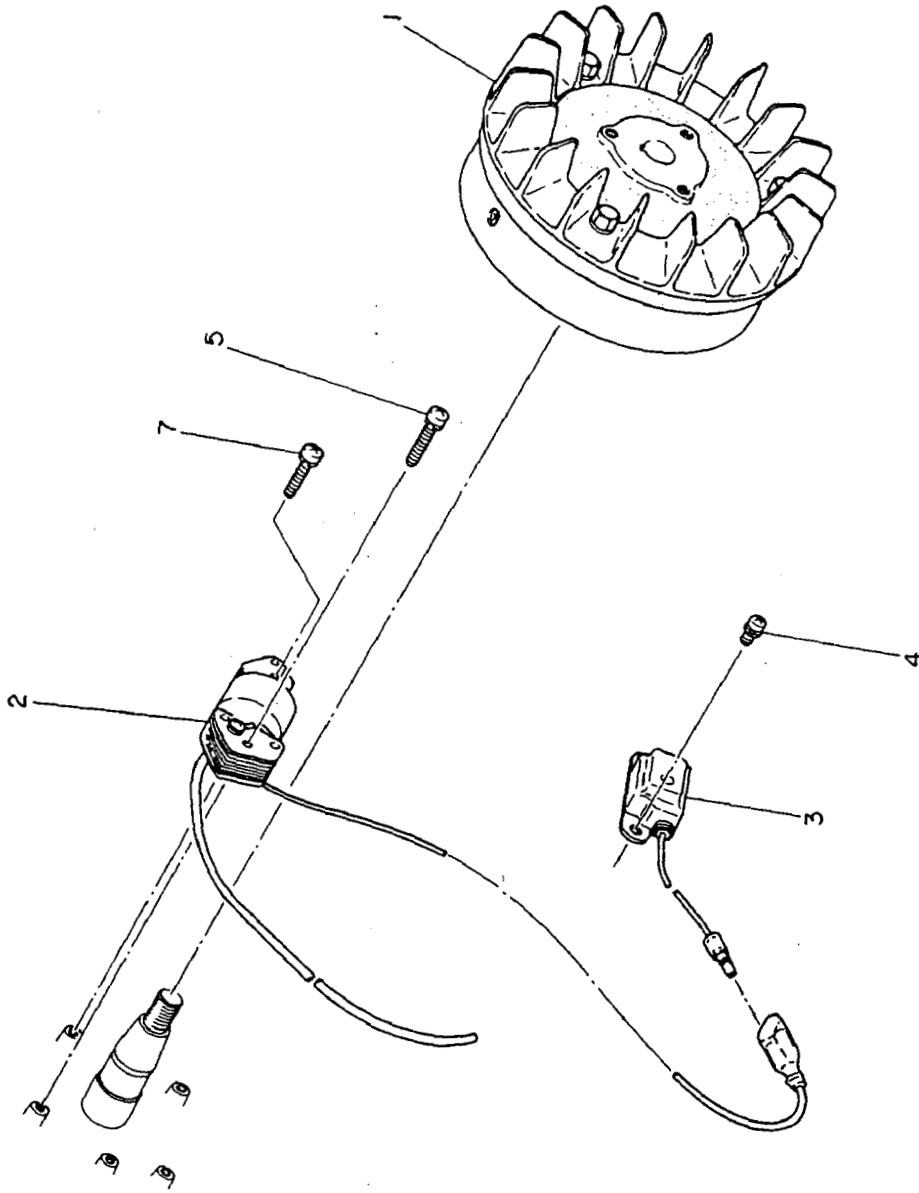


5. CARBURETOR AND AIR CLEANER

↔ Interchangeability

Ref. No.	Part Number	Part Name	Qty	Description	FOB JAPAN IN U.S.\$
• 1	106 62515 00	CARBURETOR ASSY.	1	Incl. 2~26,30	
2	106 62547 08	PACKING (float chamber)	1		
4	106 62381 08	PACKING	1		
5	128 62500 08	NEEDLE VALVE (1.5 dia)	1		
6	106 62511 08	FLOAT ARM	1		
7	106 62516 08	PIN (float)	1		
8	130 62358 08	SCREW	1		
9	106 62508 08	FLOAT	1		
10	106 62389 08	FLOAT CHAMBER	1		
11	206 62431 08	PACKING (main jet)	1		
12	207 62403 08	REVERSE MAIN JET	1		
13	206 62350 08	GUIDE HOLDER	1		
14	106 62534 08	SHAFT ASSY. (throttle)	1		
15	106 62538 08	THROTTLE VALVE	1		
16	209 62351 08	SCREW AND WASHER ASSY.	2		
17	106 62553 08	SHAFT ASSY. (choke)	1		
18	106 62554 08	CHOKE VALVE	1		
20	106 62436 08	PILOT SCREW	1		
21	206 62446 08	SPRING	2		
22	106 62357 08	GUIDE SCREW	1		
23	106 62358 08	SCREW	1		
24	209 62446 08	CHOKE SPRING	1		
25	209 62353 08	STEEL BALL	1		
26	207 62420 08	PILOT JET	1		
27	052 10601 00	BANJO	1		

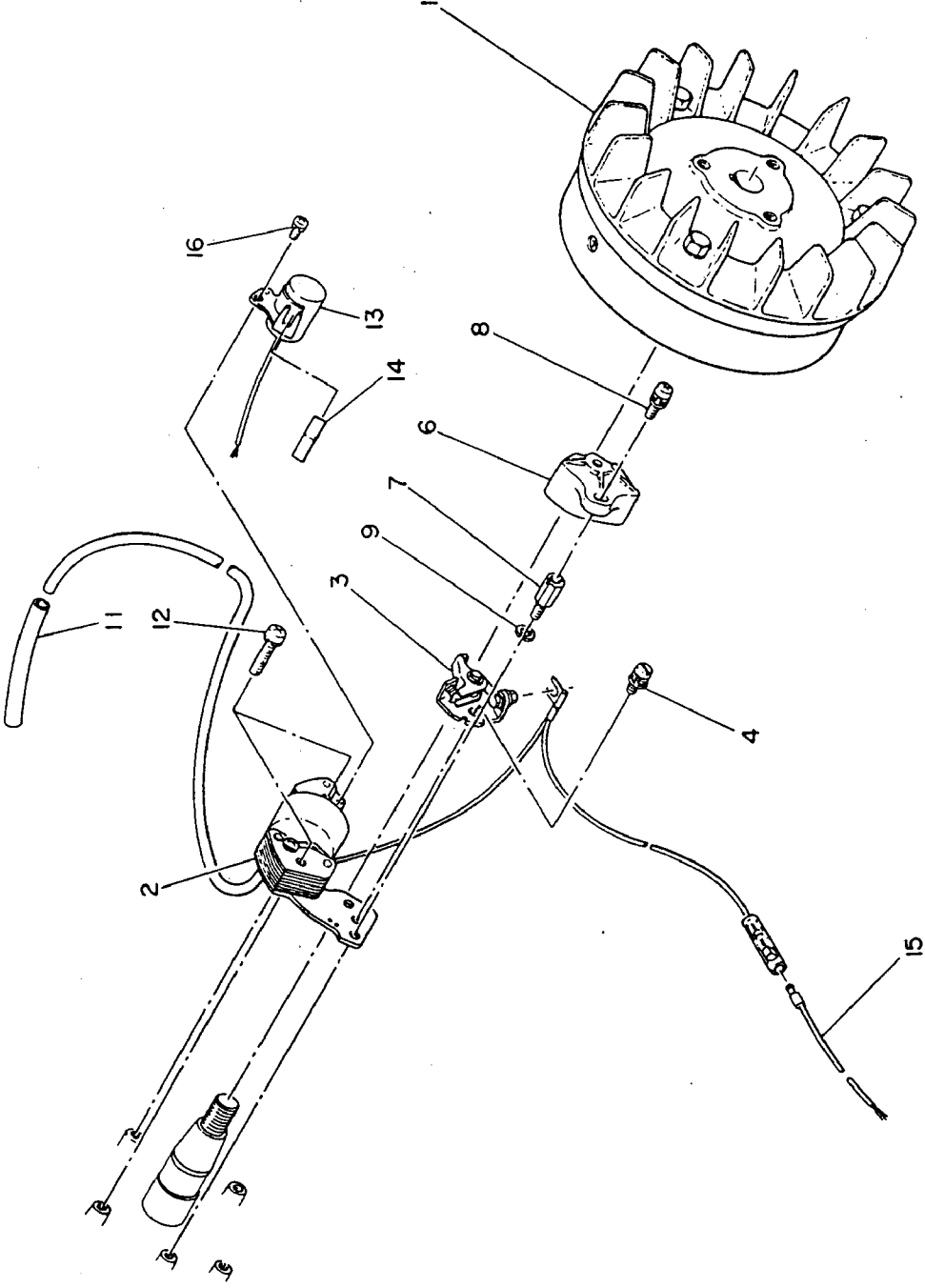


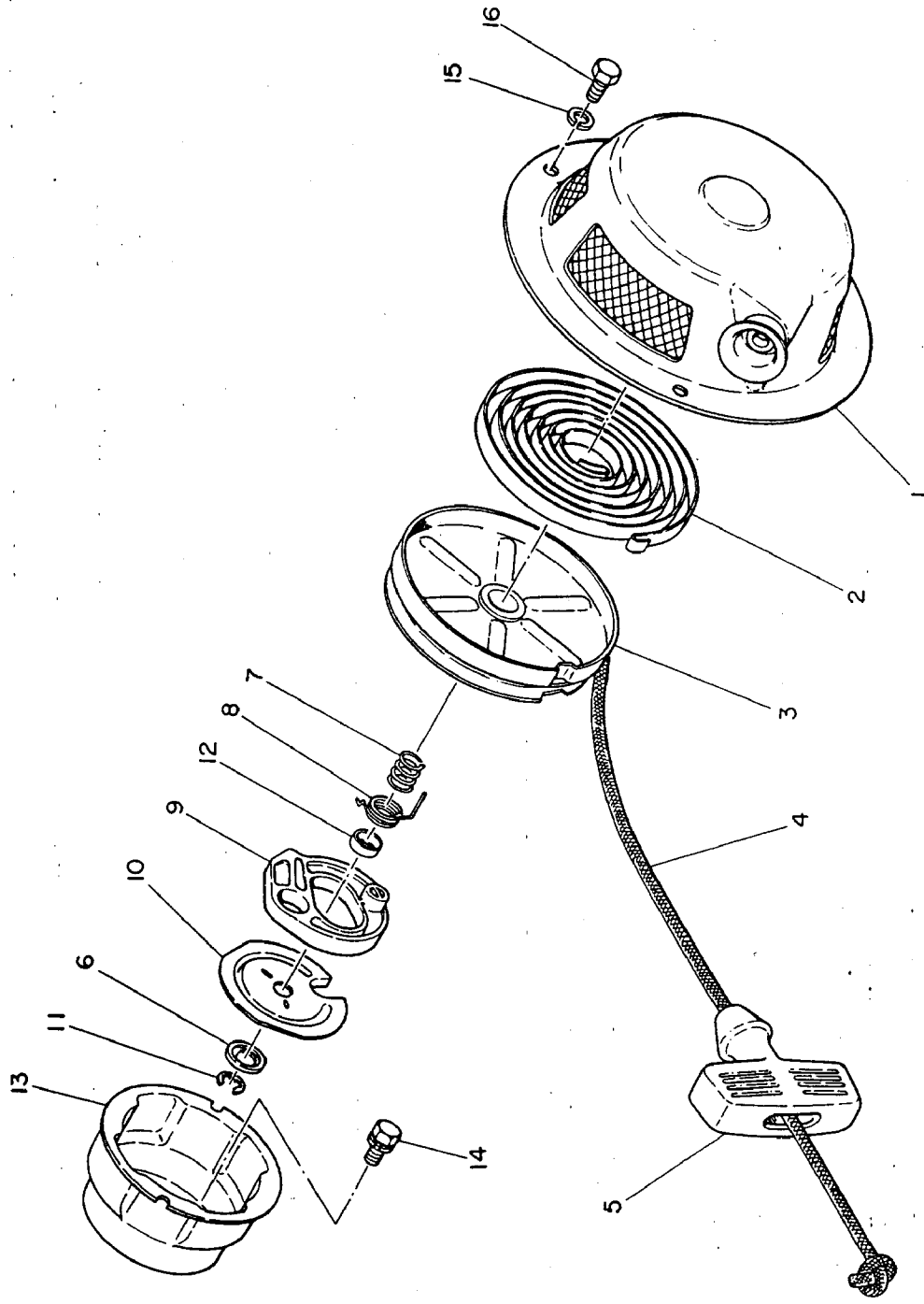


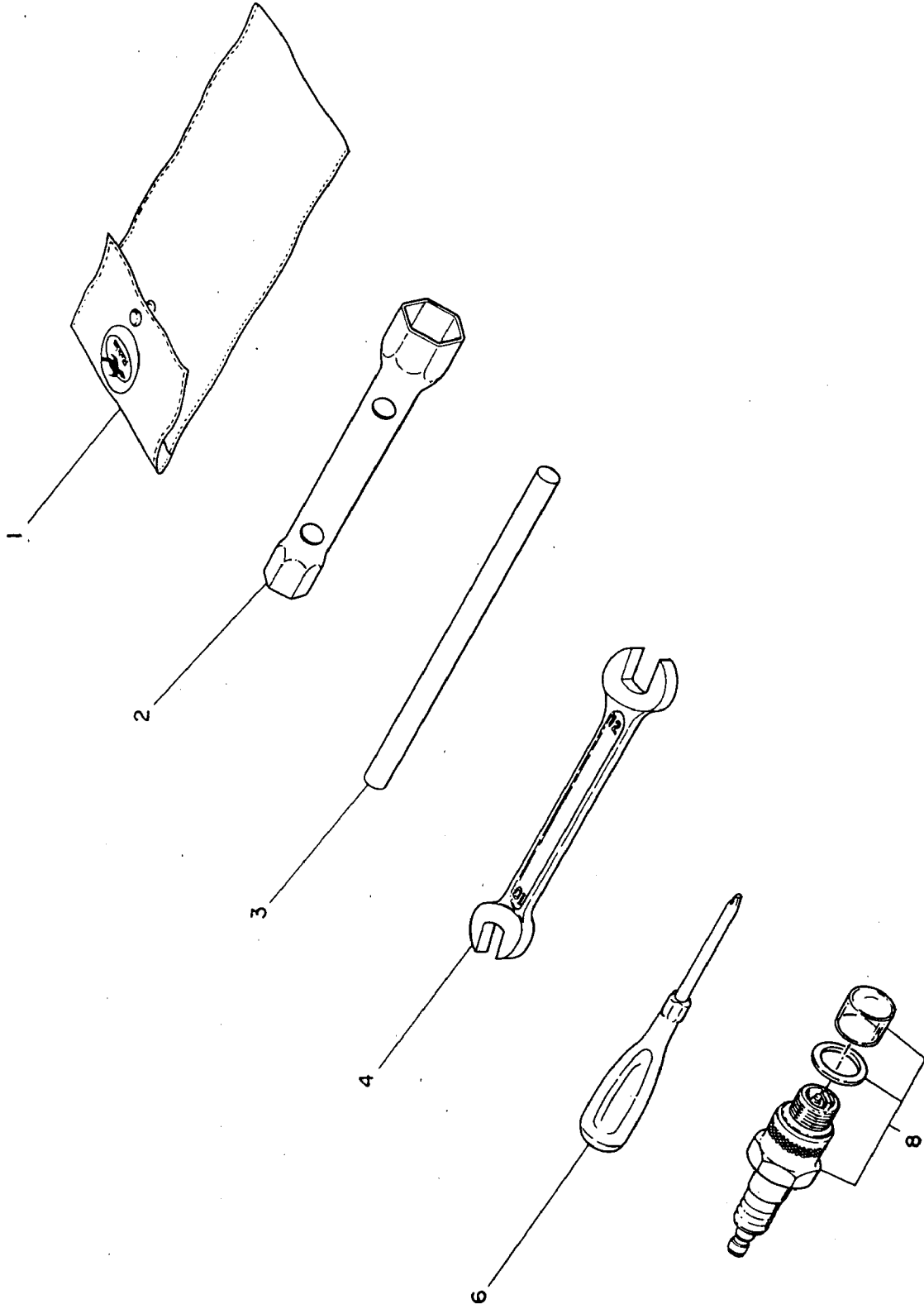
6. MAGNETO (SOLID STATE TYPE)

↔Interchangeability

Ref. No.	Part Number	Part Name	Qty	Description	FOB JAPAN IN U.S.\$
• 1	106 70210 00	MAGNETO ASSY.	1	Incl.1~3	
1	106 70175 08	FLYWHEEL COMPL.	1		
2	106 70110 08	GENERATING ASSY.	1		
3	106 70247 08	T. C. I. UNIT	1		
4	001 13051 00	BOLT AND WASHER ASSY.	2		
5	004 35042 50	SCREW AND WASHER ASSY.	1		
7	004 35042 00	SCREW AND WASHER ASSY.	1		







NOTES

NOTES

NOTES

NOTES

1. The first part of the notes is a general introduction to the subject of the course.

2. The second part of the notes is a detailed discussion of the various aspects of the course.

3. The third part of the notes is a summary of the main points of the course.

4. The fourth part of the notes is a list of references.

5. The fifth part of the notes is a list of exercises.

6. The sixth part of the notes is a list of problems.

7. The seventh part of the notes is a list of projects.

8. The eighth part of the notes is a list of assignments.

9. The ninth part of the notes is a list of questions.

10. The tenth part of the notes is a list of answers.

11. The eleventh part of the notes is a list of conclusions.

12. The twelfth part of the notes is a list of suggestions.

13. The thirteenth part of the notes is a list of recommendations.

NOTES

NOTES

NOTES



Robin America, Inc.

940 Lively Blvd., Wood Dale, IL 60191 • Tel: (708) 350-8200 • Fax: (708) 350-8212