

PARTS MANUAL

Models

PTD410T

Pump

PUB-PP
Rev. 10/07

Robin America, Inc.

940 Lively Blvd. • Wood Dale, IL 60191 • Phone: 630-350-8200 • Fax: 630-350-8212
e-mail: sales@robinamerica.com • www.robinamerica.com

© Copyright 2007 Robin America, Inc.

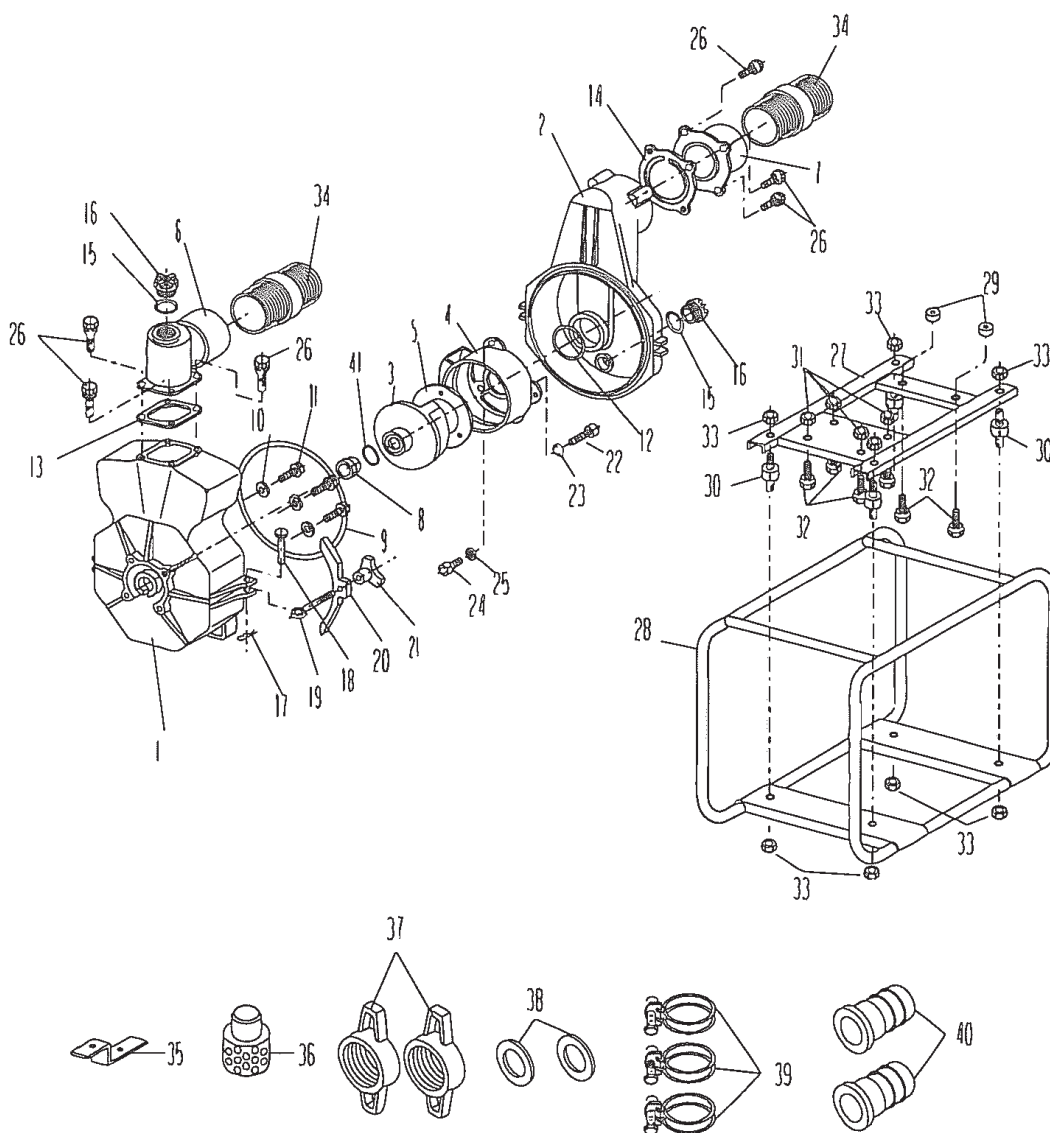
GROUP INDEX

Group Name	Page
CRANKCASE GROUP	6
CRANKSHAFT GROUP	8
INTAKE and EXHAUST GROUP	10
GOVERNOR GROUP	18
COOLING and STARTING GROUP	22
FUEL, LUBRICANT GROUP	26
CARBURETOR GROUP	28
ELECTRIC DEVICE GROUP	32
ACCESSORY GROUP	38

INDEX OF DESCRIPTION SYMBOLS			
SYMBOL	DESCRIPTION	SYMBOL	DESCRIPTION
AY	ASSEMBLY	P=	PITCH (in mm)
CP	COMPLETE	P.T.O. (PTO)	POWER TAKE OFF
EX	EXPORT (from Japan)	REF	REFERENCE
FIG	FIGURE	R.H. (RH)	RIGHT HAND SIDE
FR	FRONT	RR	REAR
"	INCH	STD.	STANDARD
INCL.	INCLUDE	SW	SWITCH
-L	LITER	T=	THICKNESS (in mm)
L=	LENGTH (in. mm)	UN	UNIT
L.H. (LH)	LEFT-HAND SIDE	U.S.	UNDER SIZE
MECH	MECHANICAL	~V	VOLTAGE
NO (NON)	NONE	~W	WATT
OPT	OPTIONAL	W/	WITH
O.S.	OVER SIZE	W/O	WITHOUT

SECTION 1 PUMP GROUP

FIG. 100

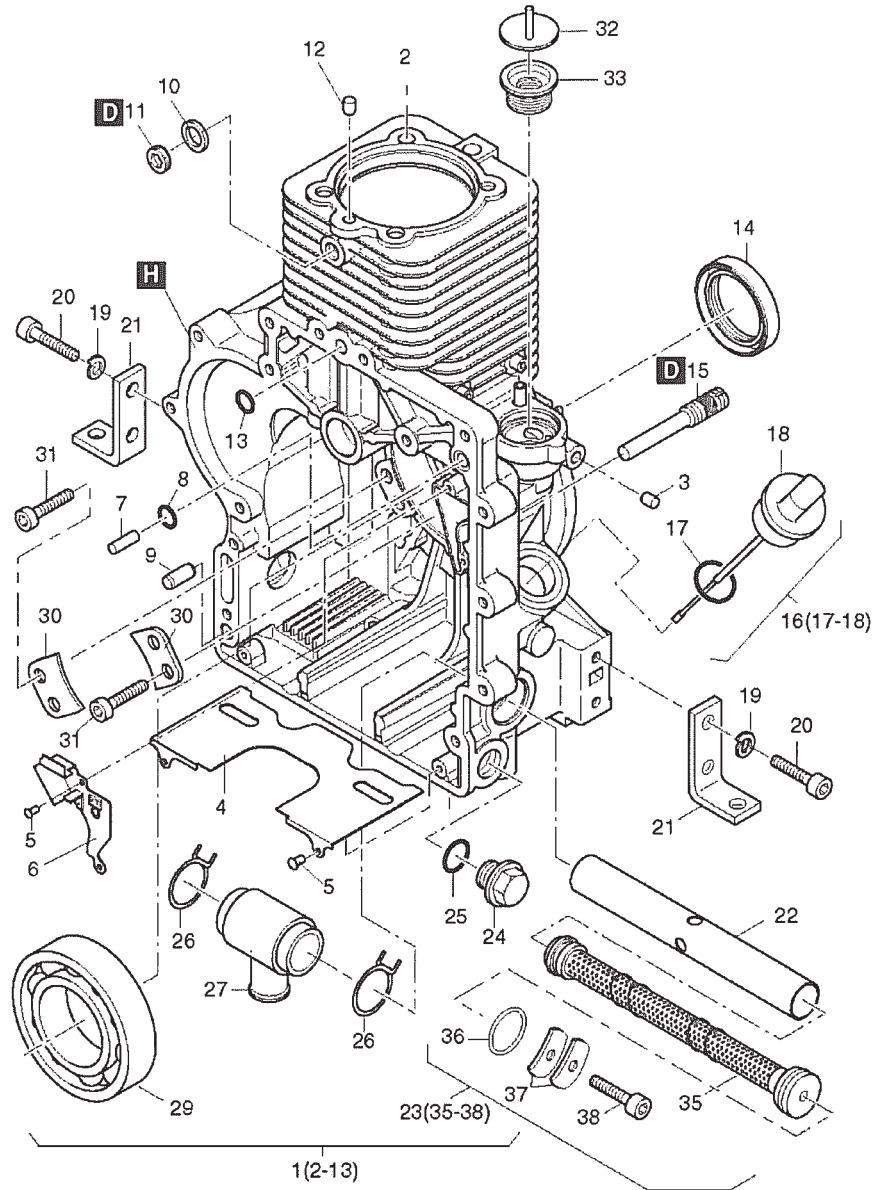


SECTION 1 PUMP GROUP

REF.	PART NO.	DESCRIPTION	QTY.	REMARKS	FROM-TO	FIG.
1	480-10210-02	CASING COVER	1			100
2	481-00000-74	CASING	1			100
3	480-10210-04	IMPELLER	1			100
4	481-00000-75	INNER CASING	1			100
5	480-10210-07	LINER	1			100
6	481-40003-03	BEND (delivery flange)	1			100
7	481-40004-03	VALVE CASE (suction flange)	1			100
8	480-08210-08	MECHANICAL SEAL	1			100
9	480-08210-17	PACKING, casing	1			100
10	480-10210-26	SEAL PACKING (washer)	4			100
11	481-00002-02	Flange Bolt	4			100
12	480-10210-20	PACKING, o ring	1			100
13	480-10010-12	PACKING,bend	1			100
14	481-00000-79	CHECK VALVE	1			100
15	480-08210-18	O RING	2			100
16	480-08210-12	PLUG	2			100
17	480-08210-34	SPRING PIN	2			100
18	480-08210-14	RIVET	2			100
19	480-08210-13	COVER BOLT	2			100
20	480-08210-16	HOLDER,CASING COVER	2			100
21	480-08210-15	KNOB	2			100
22	480-10210-29	SOCKET BOLT	3			100
23	480-05310-33	SPRING WASHER	3			100
24	481-00001-63	SOCKET HEAD BOLT	3			100
25	481-00001-64	SPRING WASHER	3			100
26	480-05010-03	BOLT & WASHER AY	8			100
27	481-30004-01	Base, yellow	1			100
28	481-40005-01	Frame, yellow	1			100
29	481-00002-03	Spacer	2			100
30	481-00002-01	Anit Vibration Rubber	4			100
31	480-05010-24	FLANGE NUT	4			100
32	480-08010-14	BOLT & WASHER AY	6			100
33	480-10010-24	NUT & WASHER AY	8			100
34	481-40006-03	Nipple	2			100
35	480-05210-35	SUPPORT (multi purp tool)	1			100
36	481-40007-01	Strainer	1			100
37	481-40008-03	Hose Coupling Handle	2			100
38	480-10010-17	PACKING,HOSE JOINT	2			100
39	480-10010-28	HOSE BAND	3			100
40	480-10010-18	NIPPLE,AL (hose coupling)	2			100
41	480-10210-40	SHIM	1			100
41	480-10210-41	SHIM	1			100
41	480-10210-42	SHIM	1			100
41	480-10210-43	SHIM	1			100

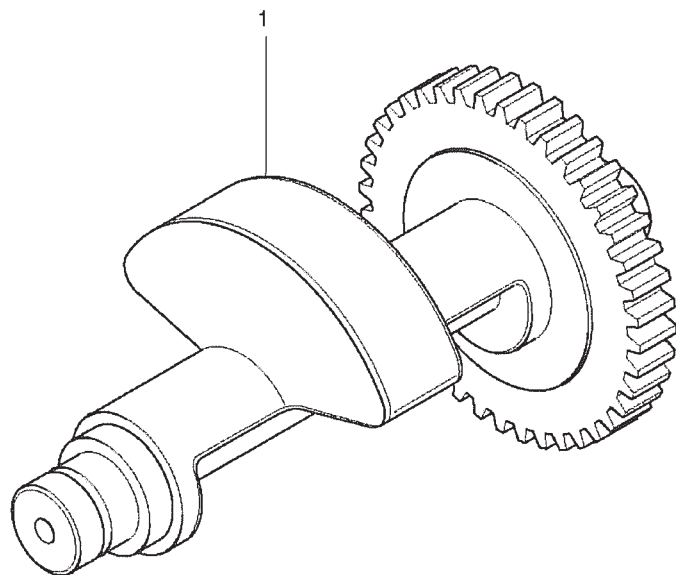
SECTION 5 CRANKCASE GROUP

FIG. 500



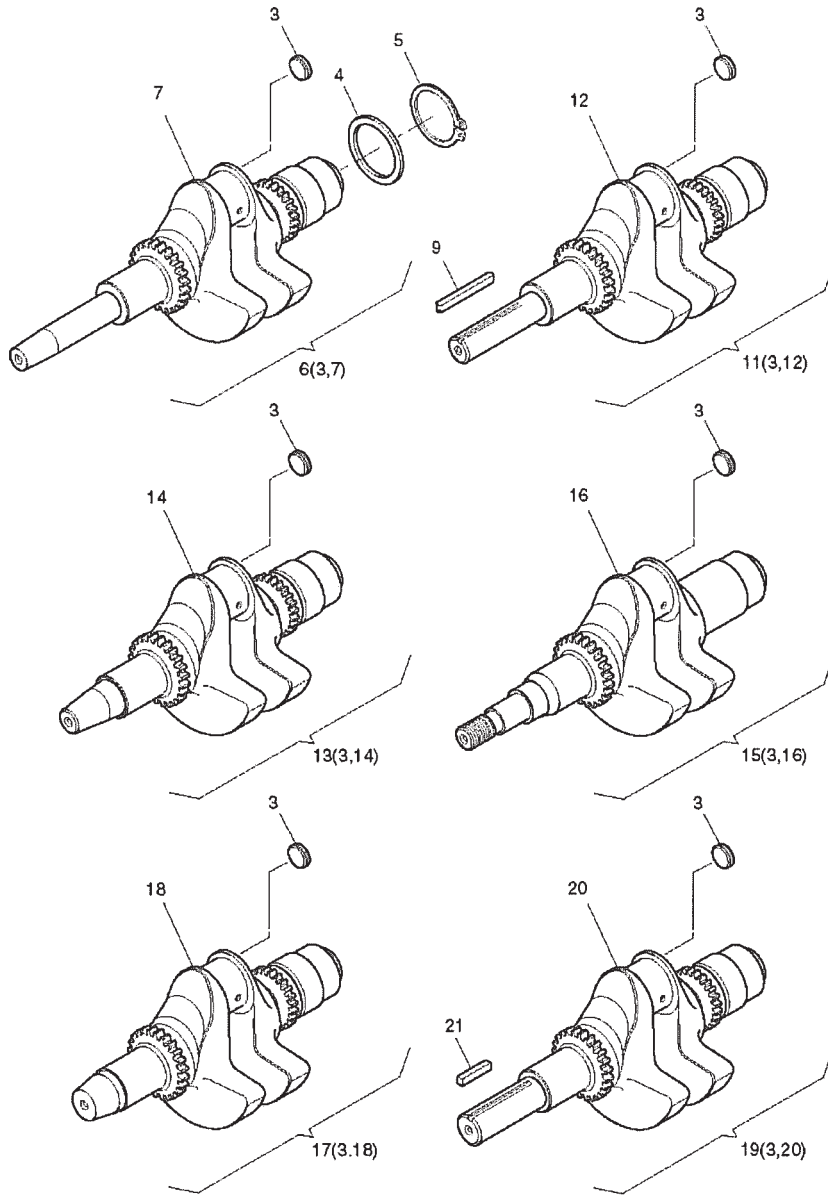
SECTION 6 SHAFT GROUP

FIG. 600



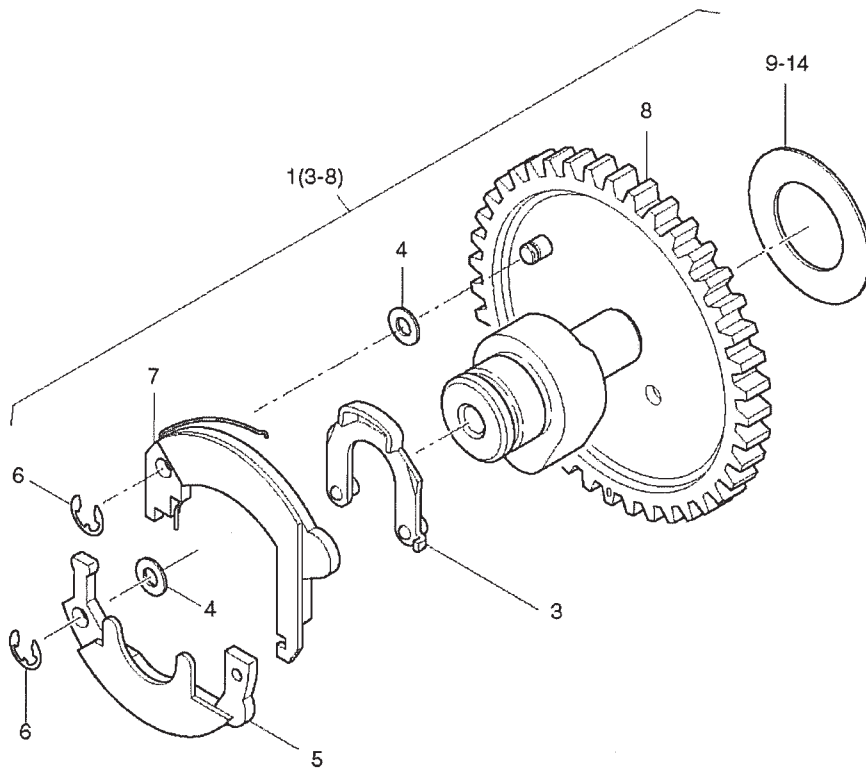
SECTION 7 CRANKSHAFT GROUP

FIG. 700



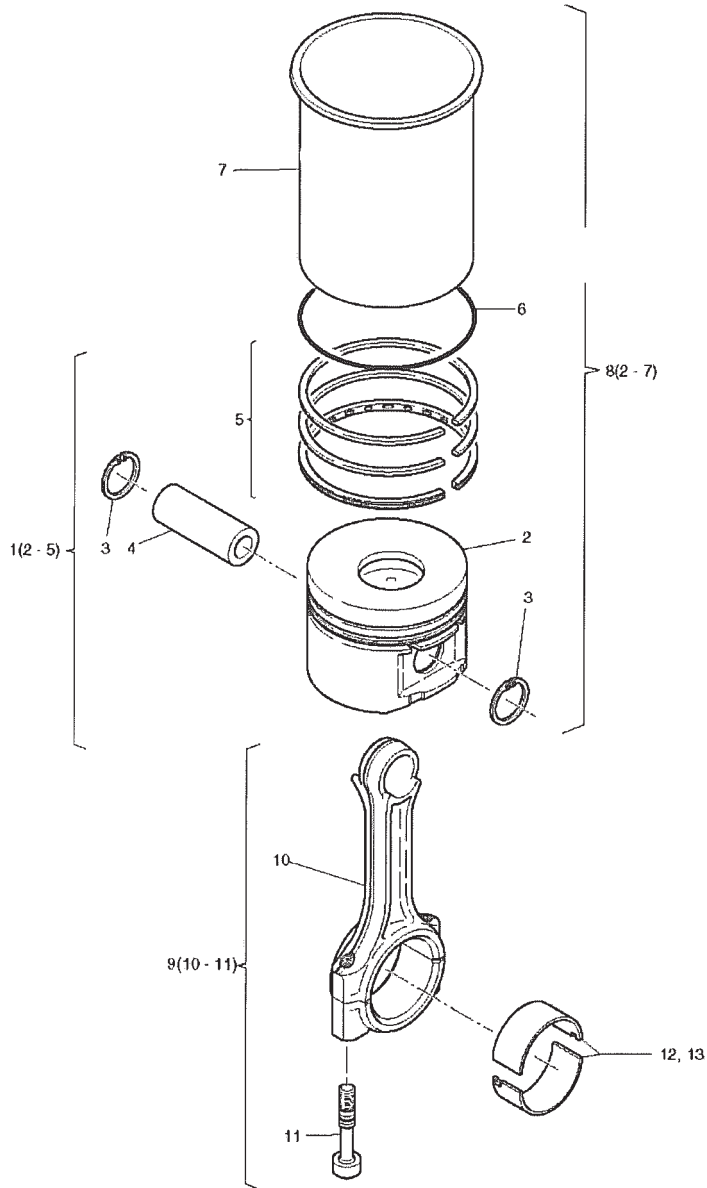
SECTION 8 CAMSHAFT GROUP

FIG. 800



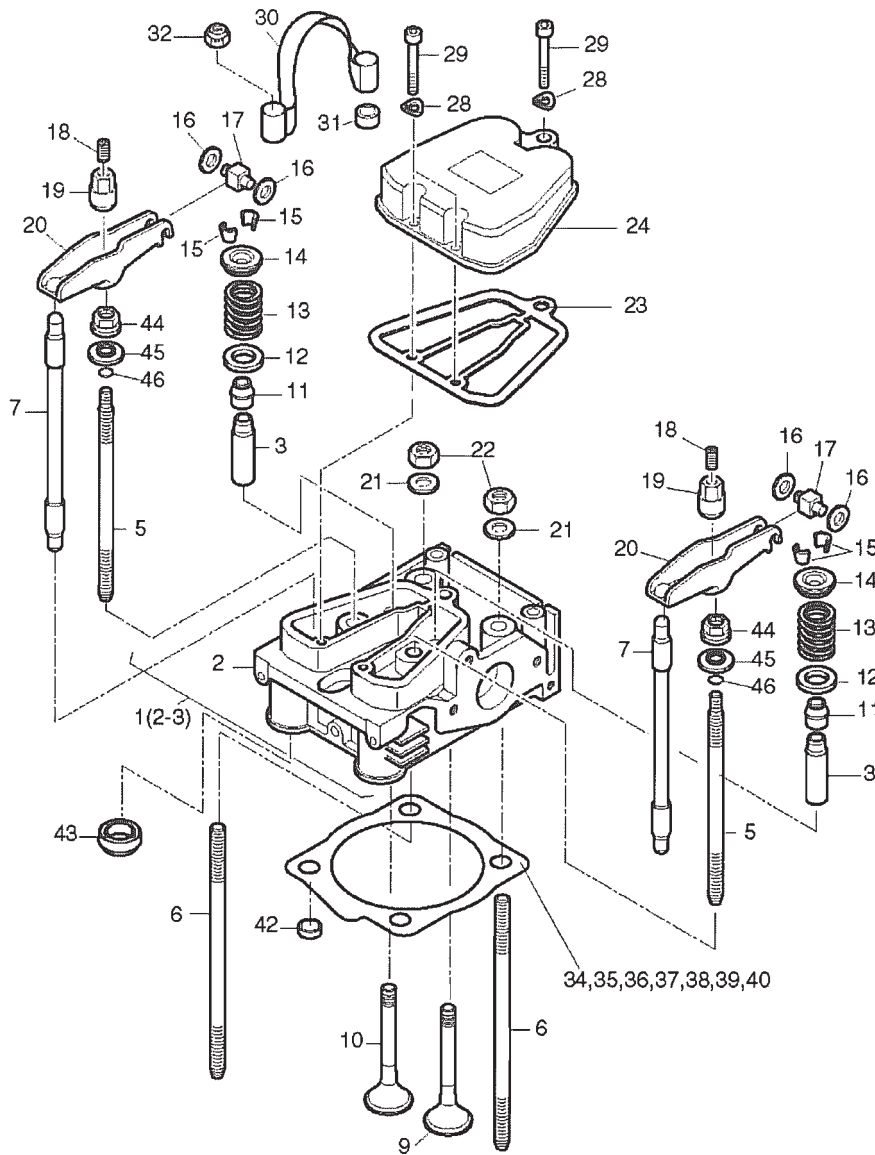
SECTION 9 PISTON GROUP

FIG. 900



SECTION 10 CYLINDER HEAD GROUP

FIG. 1000

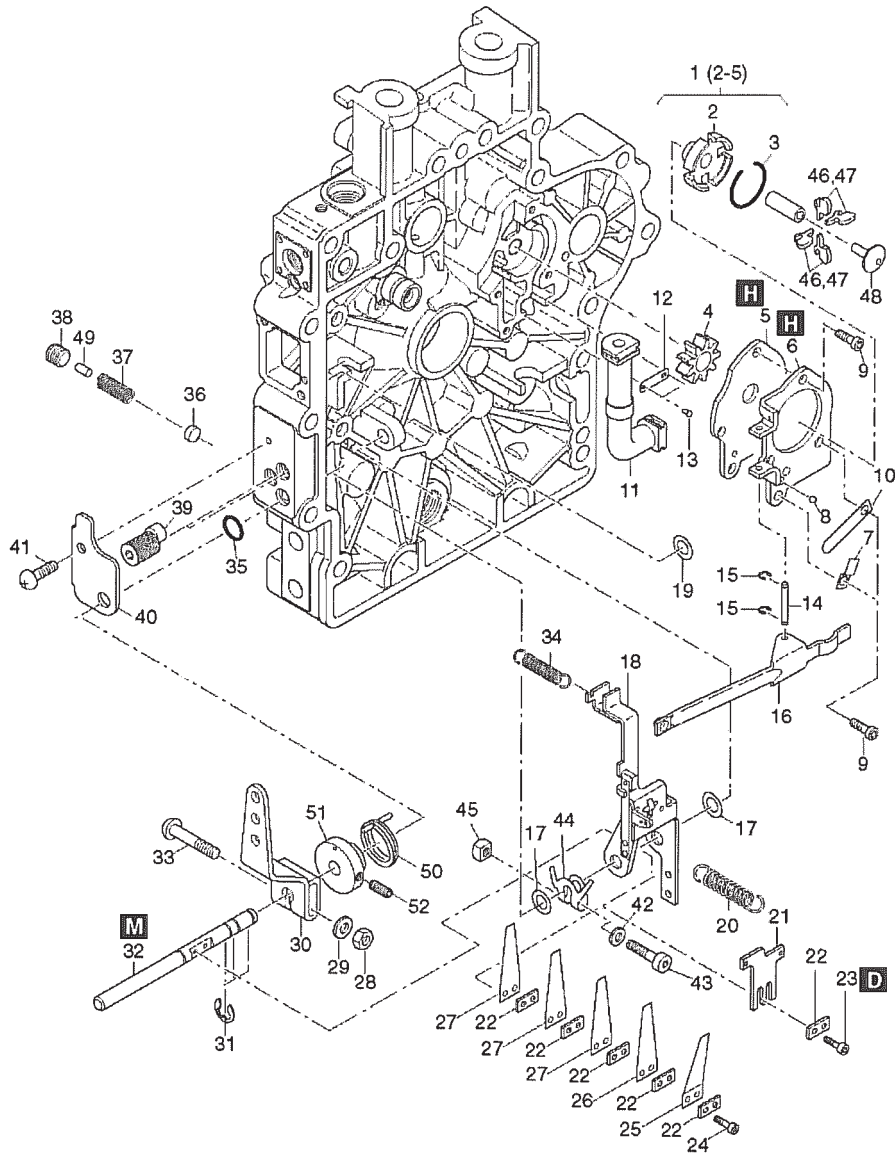


SECTION 10 CYLINDER HEAD GROUP

REF.	PART NO.	DESCRIPTION	QTY.	REMARKS	FROM-TO	FIG.
1	DH0-18509-00	CYLINDER HEAD EPA2	1			1000
3	DH0-52097-00	VALVE GUIDE	2			1000
5	DH0-51596-00	STUD CYL.HEAD	2			1000
6	DH0-51597-00	STUD CYL.HEAD	2			1000
7	DH0-13740-00	PUSHROD	2			1000
9	DH0-51451-00	VALVE INLET	1			1000
10	DH0-51452-00	VALVE EXHAUST	1			1000
11	DH5-04258-00	VALVE STEM SEAL CAP	2			1000
12	DH0-41471-00	WASHER	2			1000
13	DH0-41469-00	VALVE SPRING	2			1000
14	DH0-41470-00	SPRING PLATE	2			1000
15	DH5-04257-00	COLLET	2			1000
16	DH0-52407-00	SUPP.DISC 6X12X1,35	0-4			1000
16	DH5-04451-00	SUPP.DISC 6X12X1,2	0-4			1000
17	DH0-50911-01	SLIDER	2			1000
18	DH5-05131-00	GRUB SCREW M 8X10	2			1000
19	DH0-50547-00	NUT F. ROCKERARM	2			1000
20	DH0-51467-01	ROCKER	2			1000
21	DH0-50993-00	WASHER 10,1 X24X 3	2			1000
22	DH5-03966-00	HEXAGON NUT M 10	2			1000
23	DH0-51564-01	GASKET ZYL.HEAD COV	1			1000
24	DH0-51465-01	COVER F.CYL.HEAD	1			1000
28	DH5-00812-00	SPRING WASHER A 6	3			1000
29	DH5-03749-00	ALL.SCR.M 6X35	3			1000
30	DH0-41177-01	LIFTING STRAP	1			1000
31	DH0-41261-00		2			1000
32	DH4-00286-00	HEX.NUT M10	2			1000
34	DH0-51589-03	GASK.F.C.CLY.HEAD0,4	0-1			1000
35	DH0-42485-00		0-1			1000
35	DH0-51590-03	GASK.F.C.CYL.HEAD0,5	0-1			1000
36	DH0-42486-00		0-1			1000
36	DH0-51591-03	GASK.F.C.CYL.HEAD0,6	0-1			1000
37	DH0-42487-00		0-1			1000
37	DH0-51592-03	GASK.F.C.CYL.HEAD0,7	0-1			1000
38	DH0-51593-03	GASK.F.C.CLY.HEAD0,8	0-1			1000
39	DH0-51594-03	GASK.F.C.CYL.HEAD0,9	0-1			1000
40	DH0-51595-03	GASK.F.C.CYL.HEAD1,0	0-1			1000
42	DH0-41745-00	CENTR.BUSH CYL.HEAD	2			1000
43	DH0-41065-00	SEALG.RING TIM.COV.	2			1000
44	DH0-31718-00	COLLAR NUT	2			1000
45	DH0-42437-00		2			1000
46	DH5-05639-00	O-RING 10X2.5	2			1000

SECTION 11 OIL PUMP, SPEED CONTROL GROUP

FIG.1100

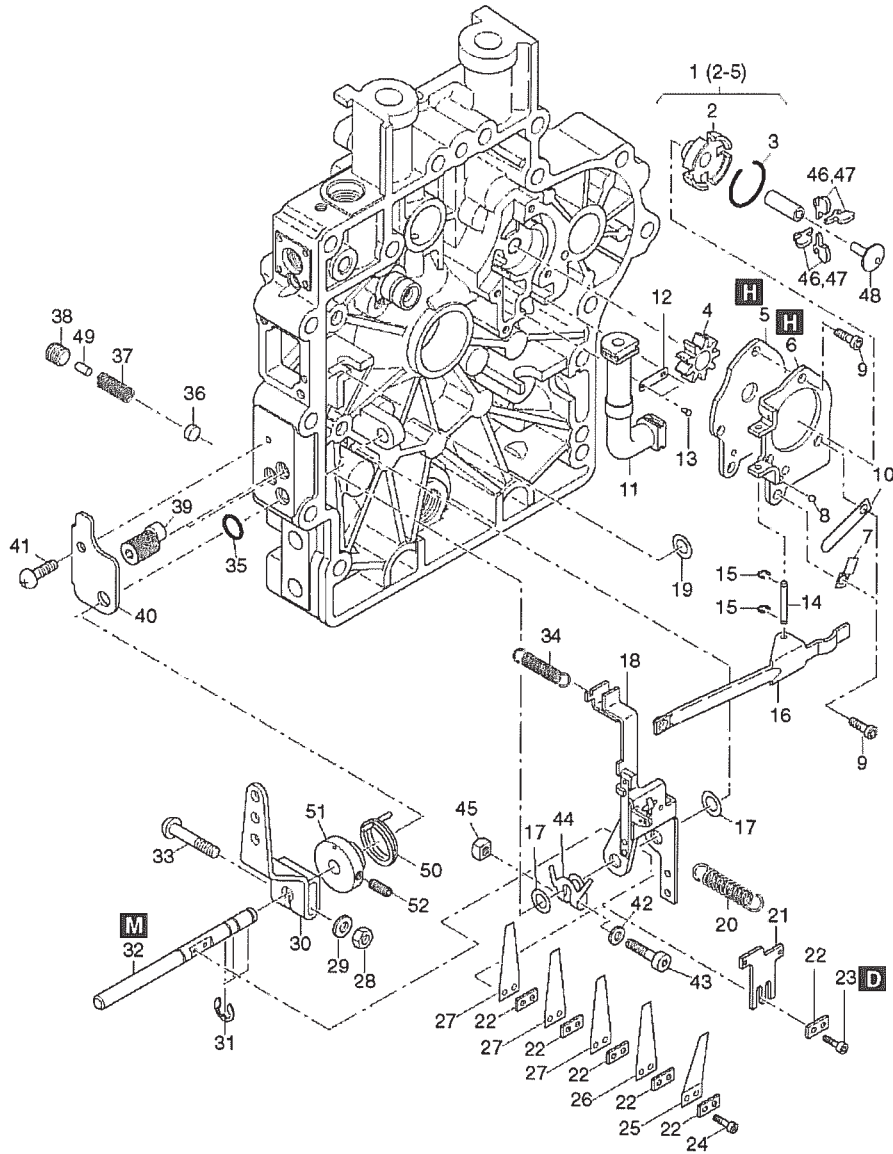


SECTION 11 OIL PUMP, SPEED CONTROL GROUP

REF.	PART NO.	DESCRIPTION	QTY.	REMARKS	FROM-TO	FIG.
1	DH0-13445-10		1			1100
3	DH0-42109-10		1			1100
6	DH0-50781-10		1			1100
7	DH0-50971-00	RETAINING STRAP	1			1100
8	DH5-04479-00	BALL 3,5MM	1			1100
9	DH5-04294-00	ALL.SCR. M 5X 12	4			1100
10	DH0-50973-00	FLAT SPRING 0,4	1			1100
11	DH0-13460-00	TUBE OIL SUCTION	1			1100
12	DH0-41534-00	FISHPLATE	1			1100
13	DH4-00026-00	BLINDRIVET3,2K44311	2			1100
14	DH0-50786-00	SHAFT	1			1100
15	DH5-04348-00	CIRCLIP 1,9	2			1100
16	DH0-13459-01	LEVER	1			1100
17	DH5-04224-00	SHIM 8X14X1	2			1100
18	DH0-13652-00	GOVERNOR LEVER	1			1100
19	DH5-01258-00	DISC 8X14X0,5	1			1100
20	DH0-51309-10		0-1			1100
21	DH0-51308-00	STOP	1			1100
22	DH0-50798-00	INTERMED. PLATE	1-5			1100
23	DH5-04653-00	ALL.SCR.M 3X 8	2			1100
24	DH5-04350-00	ALL.SCR. M 3 X 12	2			1100
25	DH0-51486-00	STOP SPRING	1			1100
26	DH0-50789-00	GOVERNOR SPRING 0,3	1			1100
27	DH0-51316-00	GOVERNOR SPRING 0,2	1-3			1100
28	DH5-03465-00	HEXAGON NUT M6	1			1100
29	DH5-01445-00	FLAT WASHER 6,4	1			1100
30	DH0-40956-00	LEVER	1			1100
31	DH5-00927-00	CIRCLIP 7	4			1100
32	DH0-50793-01	SHAFT	1			1100
33	DH0-39273-00	SCREW M 6X 32	1			1100
33	DH0-39273-01	SCREW M6X32	1			1100
34	DH5-05634-00		1			1100
35	DH4-00224-01	O-RING 8 X 2 GRAY	1			1100
36	DH0-51517-00	PLUG	0-1			1100
37	DH5-04887-00	PRESSURE SPRING	0-1			1100
38	DH5-04757-00	GRUB SCREW M10X10	1			1100
39	DH0-51788-10	ECCENTRIC SCREW	2			1100
40	DH0-51784-00	PLATE	1			1100
41	DH5-04923-00	FILL.HEAD SCR.M5X12	1			1100
42	DH5-02163-00	WASHER 5,3	1			1100
43	DH5-04922-00	ALL.SCR. M 5X 25	1			1100
44	DH0-51785-00	STOP	1			1100
45	DH5-04227-00	SQUARE NUT M 5	1			1100
46	DH0-50796-11	CENTRIFUGAL WEIGHT	0-4			1100
47	DH0-51602-11	CENTRIFUGAL WEIGHT	0-4			1100
48	DH0-50785-02	GOVERNOR SLEEVE	1			1100

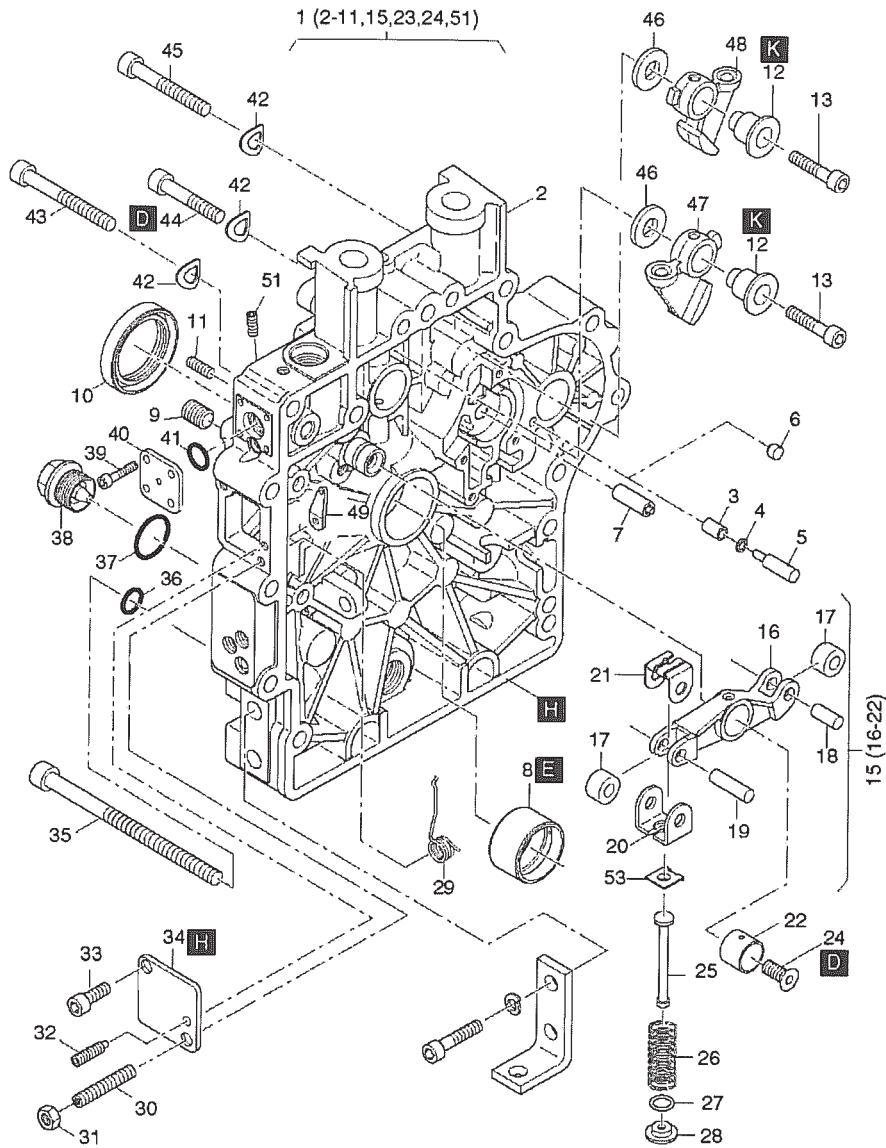
SECTION 11 OIL PUMP, SPEED CONTROL GROUP

FIG.1100



SECTION 12 TIMING COVER GROUP

FIG. 1200

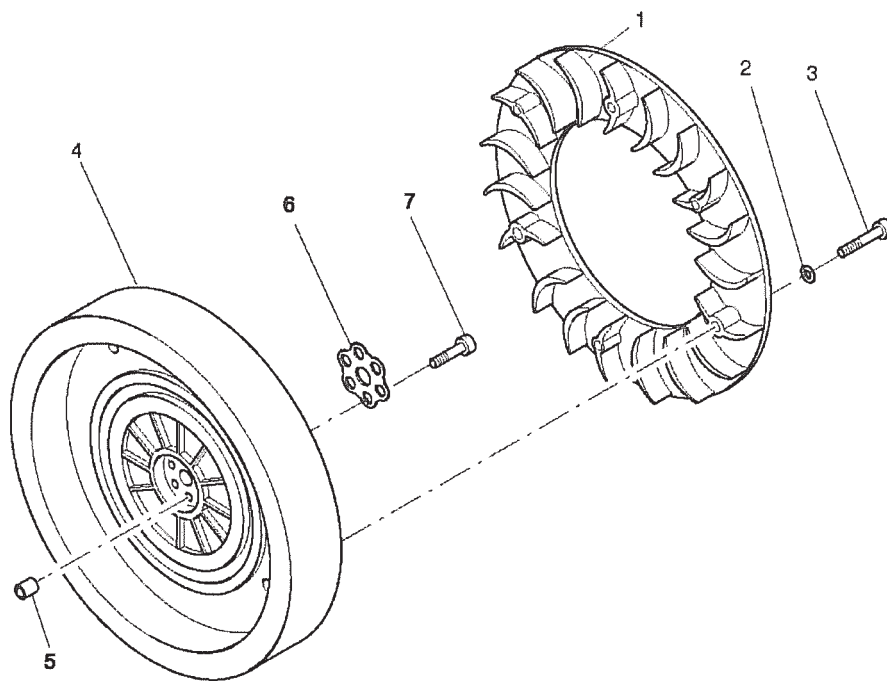


SECTION 12 TIMING COVER GROUP

REF.	PART NO.	DESCRIPTION	QTY.	REMARKS	FROM-TO	FIG.
1	DH0-18942-00	TIMING COVER T/U	1			1200
3	DH0-41858-00	CLOSING PLUG	1			1200
4	DH5-04641-00	O-RING 2 X 1	1			1200
5	DH0-41857-00	CLOSING PLUG 4X15	1			1200
6	DH0-41686-00		1			1200
7	DH0-13446-00	BOLT F.GOV.HOUSING	1			1200
8	DH0-41488-00	MAIN BEARING	1			1200
8	DH0-42208-00	MAIN BEARING -0,5	1			1200
9	DH5-05306-00	GRUB SCREW M 8X10	4			1200
10	DH5-04795-00	OIL SEAL 35X47X7	1			1200
11	DH5-04006-00	GRUB SCREW M 5X10	2			1200
12	DH0-37942-01	CAM FOLLOW SPINDLE	2			1200
13	DH5-04699-00	ALL.SCR. M 6X 30	2			1200
15	DH0-13467-10		1			1200
22	DH-		1			1200
24	DH5-05618-00		1			1200
25	DH0-40947-00	DRAW ROD	1			1200
26	DH0-40957-00	PRESSURE SPRING	1			1200
27	DH0-41339-00	DISC 10,7X19X0,5	1			1200
28	DH0-40948-02	CUP	1			1200
29	DH0-50952-10	SPRING F.GOVERNOR	1			1200
30	DH5-04993-00	GRUB SCREWM 6X35	1			1200
31	DH5-01444-00	HEXAGON NUT M 6	1			1200
32	DH5-04994-00	GRUB SCREW M 4 X25	1			1200
33	DH5-03842-00	ALL.SCR.M 6X 12	1			1200
34	DH0-40952-10	COVER	1			1200
35	DH5-04630-00	ALL.SCR. M 8X130	2			1200
36	DH5-01629-00	JOINT A 8 X14	2			1200
37	DH5-04591-00	JOINT A22 X27	1			1200
38	DH5-03731-00	DRAIN PLG.MAGNT.M22	1			1200
39	DH5-03971-00	ALL.SCR.M 4 X 10	4			1200
40	DH0-13517-00	COVER	1			1200
41	DH5-03290-00	O-RING 9,5X2,5	1			1200
42	DH5-00951-00	SPRING WASHER A 8	15			1200
43	DH5-02888-00	ALL.SCR.M 8X 55	11			1200
44	DH5-01775-00	ALL.SCR.M 8X 40	2			1200
45	DH5-03929-00	ALL.SCR.M 8 X 50	2			1200
46	DH0-37941-00	WASHER	2			1200
47	DH0-41466-00	CAM FOLLOWER	1			1200
48	DH0-41460-00	CAM FOLLOWER	1			1200
49	DH0-51271-00	LEVER	1			1200
51	DH5-02624-00	THREADED PIN M 6X10	1			1200
53	DH0-41895-00	CUP	1			1200

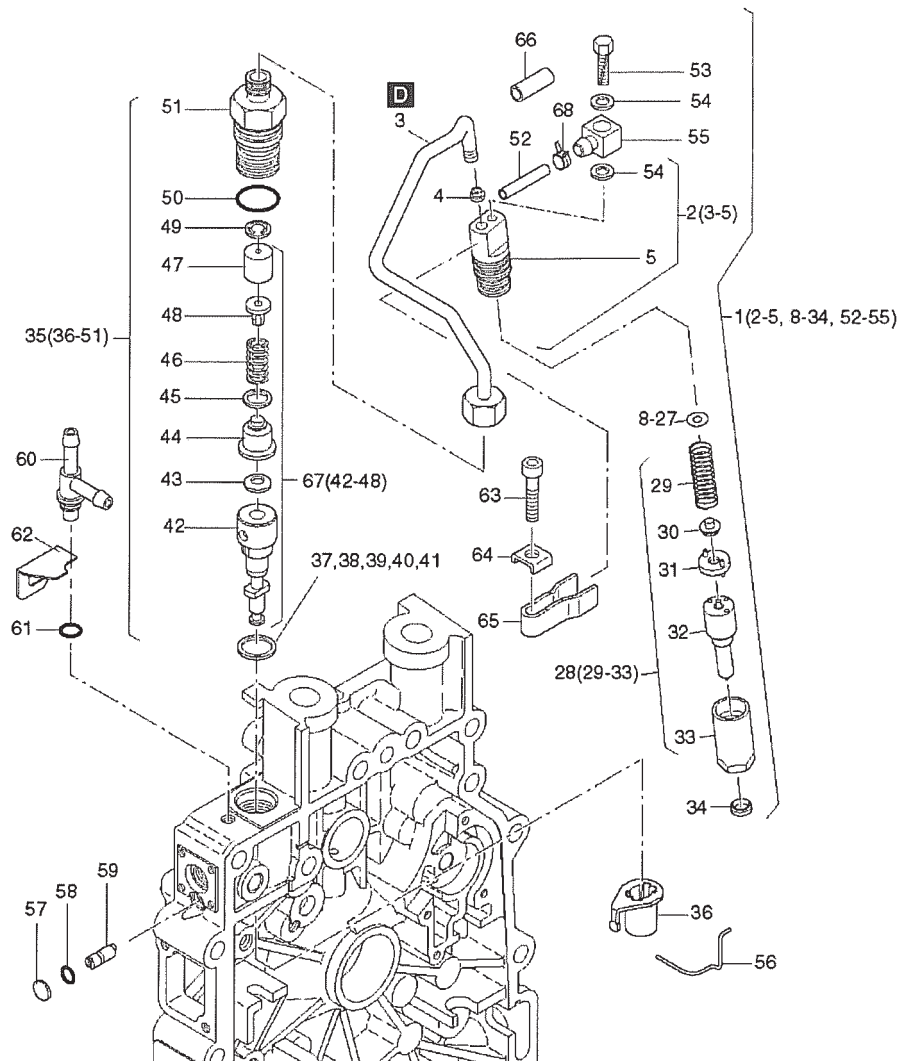
SECTION 13 BLOWER, FLYWHEEL GROUP

FIG. 1300



SECTION 14 INJECTION EQUIPMENT GROUP

FIG. 1400

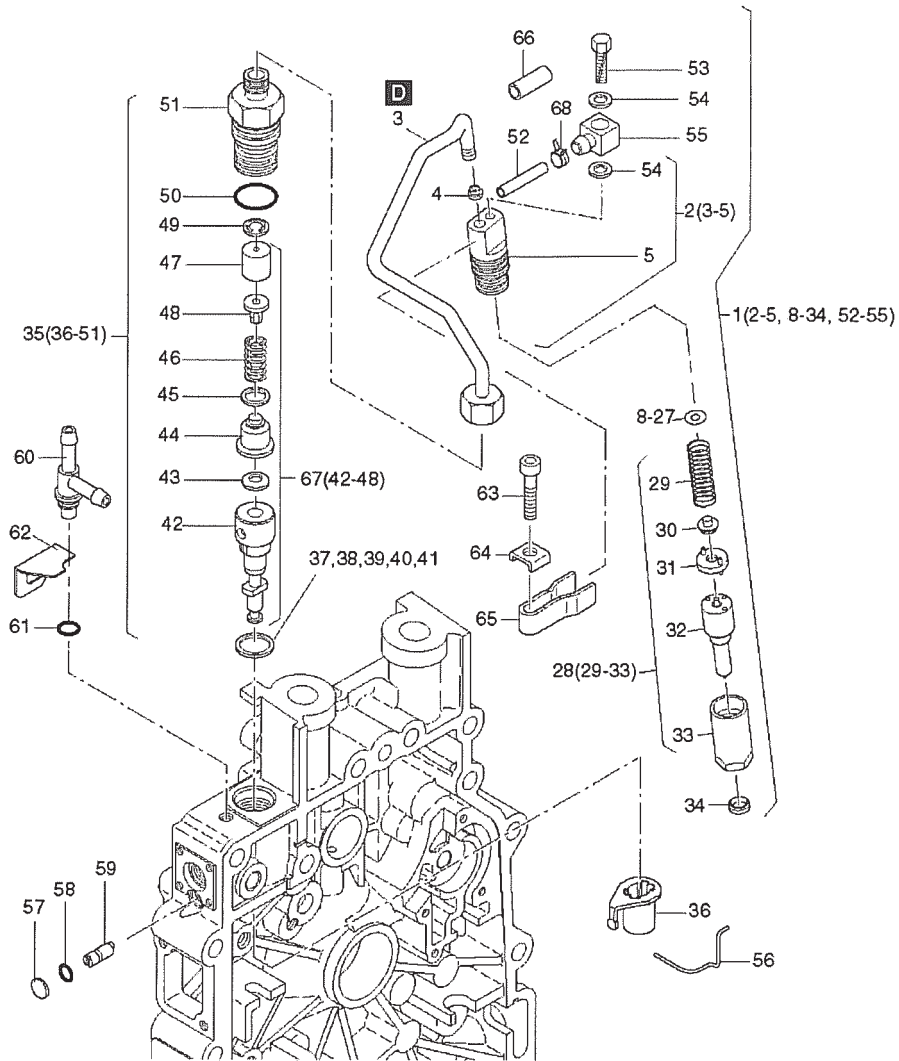


SECTION 14 INJECTION EQUIPMENT GROUP

REF.	PART NO.	DESCRIPTION	QTY.	REMARKS	FROM-TO	FIG.
1	DH0-13897-00	INJECTOR CPL EPA2	1			1400
2	DH0-16806-00	NOZZLE HOLD.+PIPE	1			1400
4	DH0-50706-01	SEALING CONE	1			1400
8	DH5-04364-00	SHIM 1,0	0-1			1400
9	DH5-04365-00	SHIM 1,04	0-1			1400
10	DH5-04366-00	SHIM 1,10	0-1			1400
11	DH5-04367-00	SHIM 1,14	0-1			1400
12	DH5-04368-00	SHIM 1,20	0-1			1400
13	DH5-04369-00	SHIM 1,24	0-1			1400
14	DH5-04370-00	SHIM 1,30	0-1			1400
15	DH5-04371-00	SHIM 1,34	0-1			1400
16	DH5-04372-00	SHIM 1,40	0-1			1400
17	DH5-04373-00	SHIM 1,44	0-1			1400
18	DH5-04374-00	SHIM 1,50	0-1			1400
19	DH5-04375-00	SHIM 1,54	0-1			1400
20	DH5-04376-00	SHIM 1,60	0-1			1400
21	DH5-04377-00	SHIM 1,64	0-1			1400
22	DH5-04378-00	SHIM 1,70	0-1			1400
23	DH5-04379-00	SHIM 1,74	0-1			1400
24	DH5-04380-00	SHIM 1,80	0-1			1400
25	DH5-04381-00	SHIM 1,84	0-1			1400
26	DH5-04382-00	SHIM 1,90	0-1			1400
27	DH5-04383-00	SHIM 1,94	0-1			1400
28	DH0-13899-00		1			1400
32	DH5-05666-00	NOZZLE EPA2	1			1400
34	DH0-50705-00	JOINT WASH.F.INJECT	1			1400
35	DH0-16808-10	INJECTION PUMP EPA2	1			1400
36	DH0-13308-01	CONTROL SLEEVE	1			1400
37	DH0-40963-00	SHIM 14X18X0,2	0-1			1400
38	DH0-40964-00	SHIM 14X18X0,3	0-1			1400
39	DH0-40965-00	SHIM 14X18X0,4	0-1			1400
40	DH0-40966-00	SHIM 14X18X0,5	0-1			1400
41	DH0-40967-00	SHIM 14X18X0,6	0-1			1400
43	DH0-41652-00	CON.SPR.WASHER 8	1			1400
45	DH5-04769-00	JOINT WASHER	1			1400
49	DH0-51808-00	VALVE PLATE	1			1400
50	DH5-04892-00	O-RING 17 X 2	1			1400
51	DH0-51811-00	DELIV.VALVE HOLDER	1			1400
52	DH0-52150-00	HOSE 2,5X195	1			1400
53	DH5-04645-00	HEXSCREW AM 4 X 16	1			1400
54	DH5-01108-00	JOINT A 4X8	2			1400
55	DH0-51290-00	CONNECTING NIPPLE	1			1400
56	DH0-41618-00	HOLDING SPRING	1			1400
57	DH5-04760-00	DISC 8	1			1400
58	DH5-03301-00	O-RING 4X 1,2	1			1400
59	DH0-40977-10	ECCENTRIC PIN	1			1400

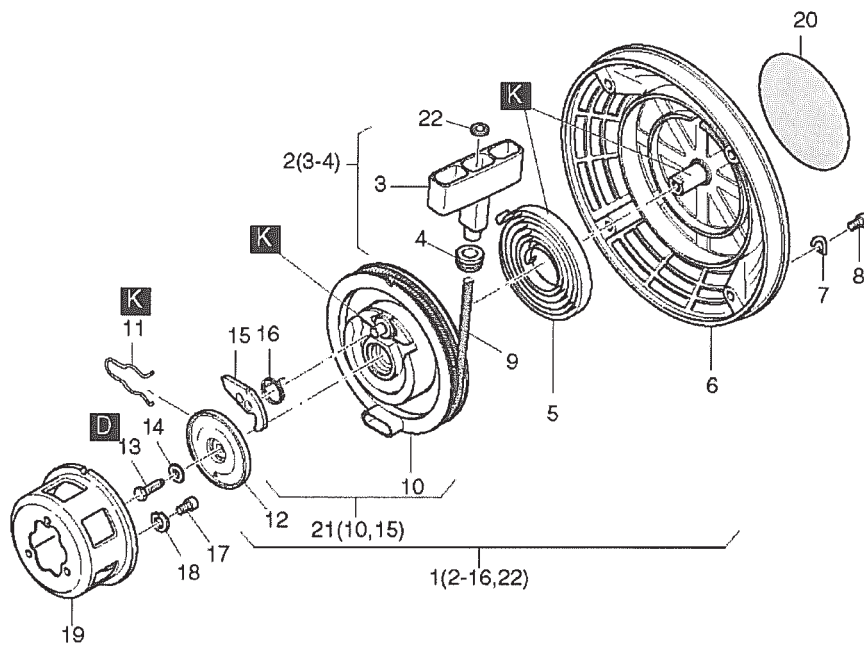
SECTION 14 INJECTION EQUIPMENT GROUP

FIG. 1400



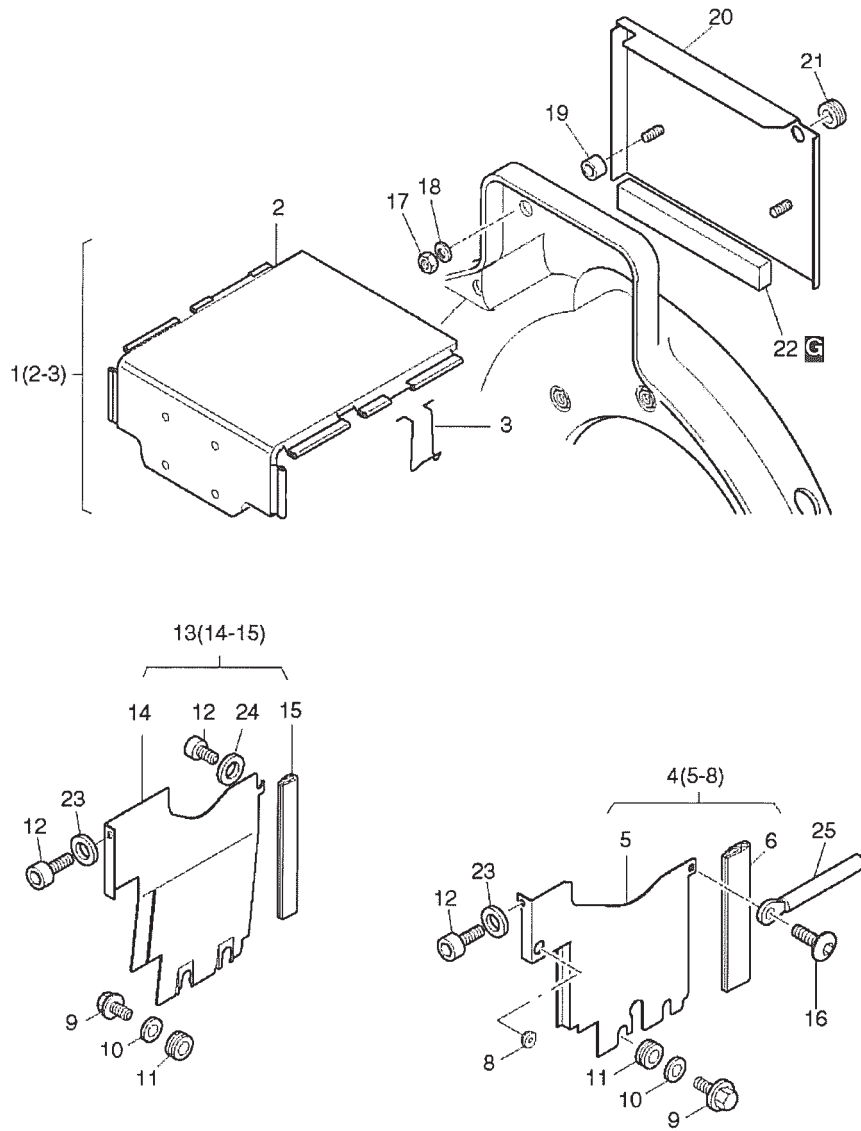
SECTION 15 RECOIL STARTER GROUP

FIG. 1500



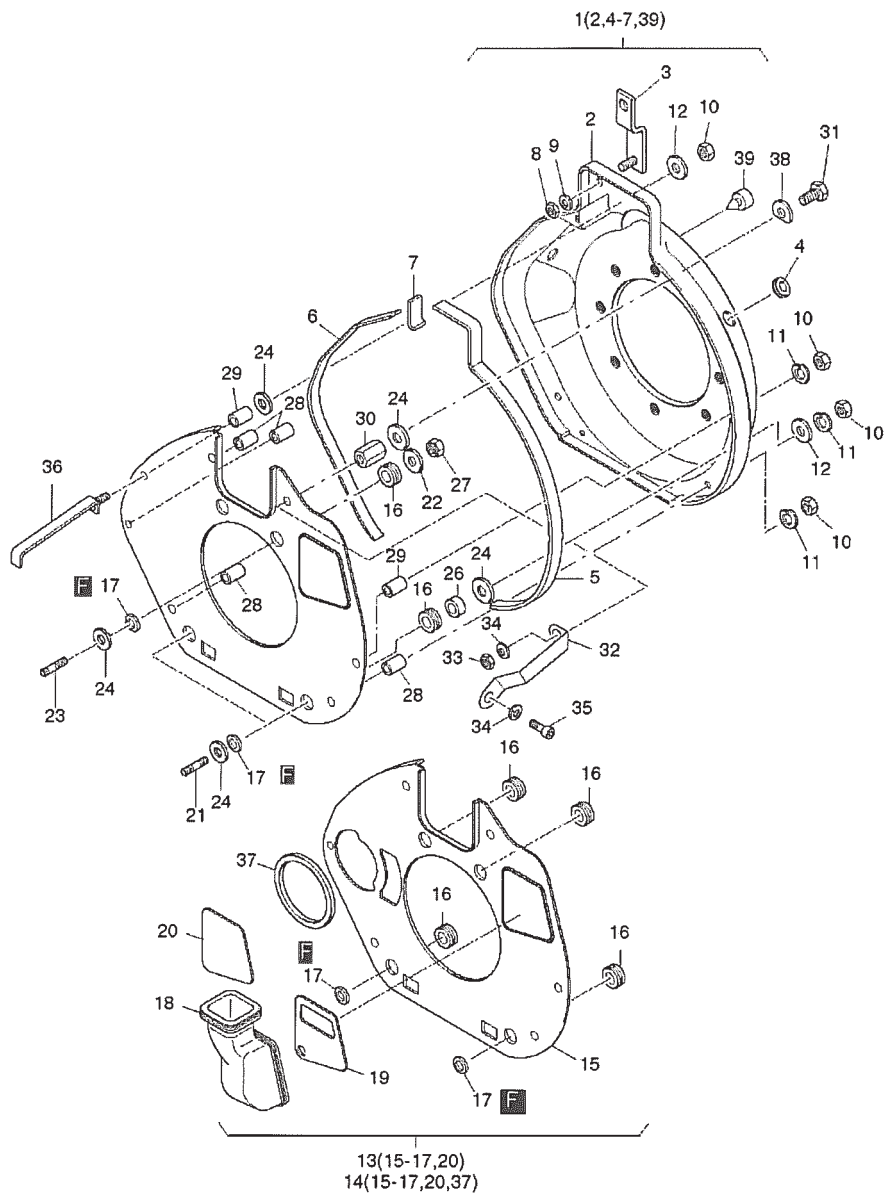
SECTION 16 AIR DUCTING GROUP

FIG. 1600



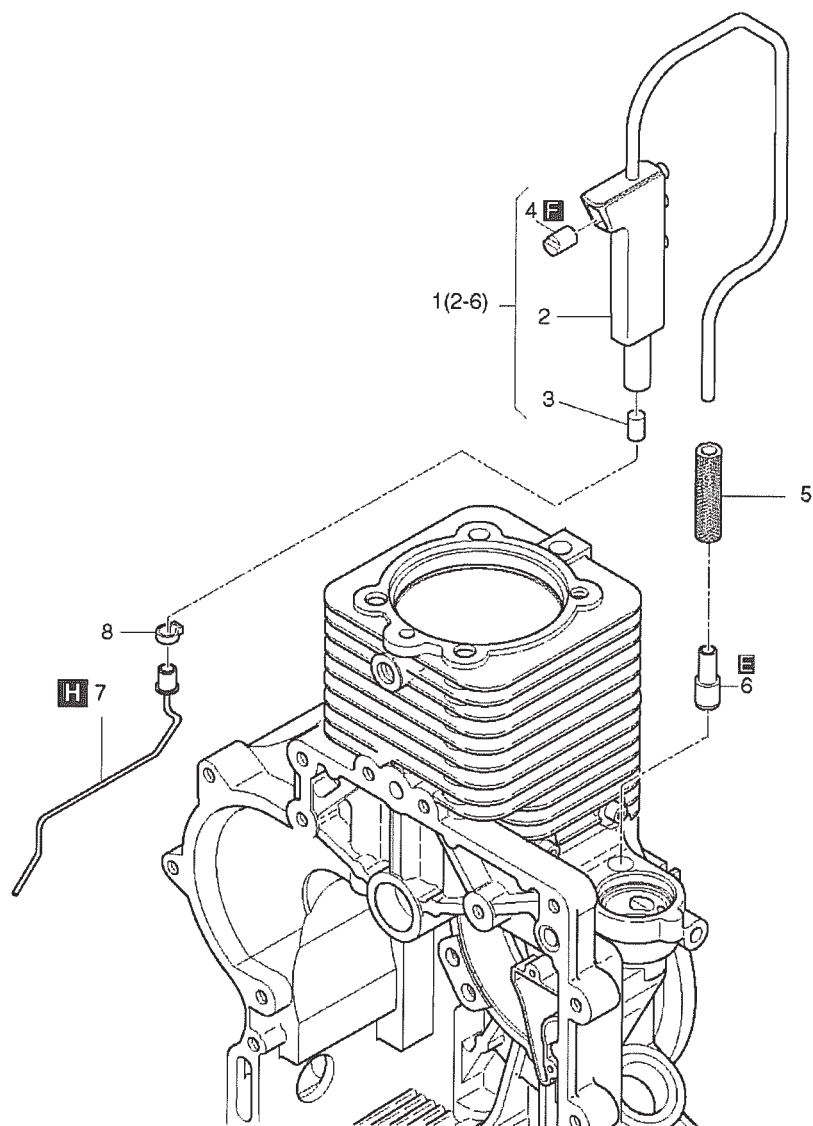
SECTION 17 AIR DUCTING GROUP

FIG. 1700



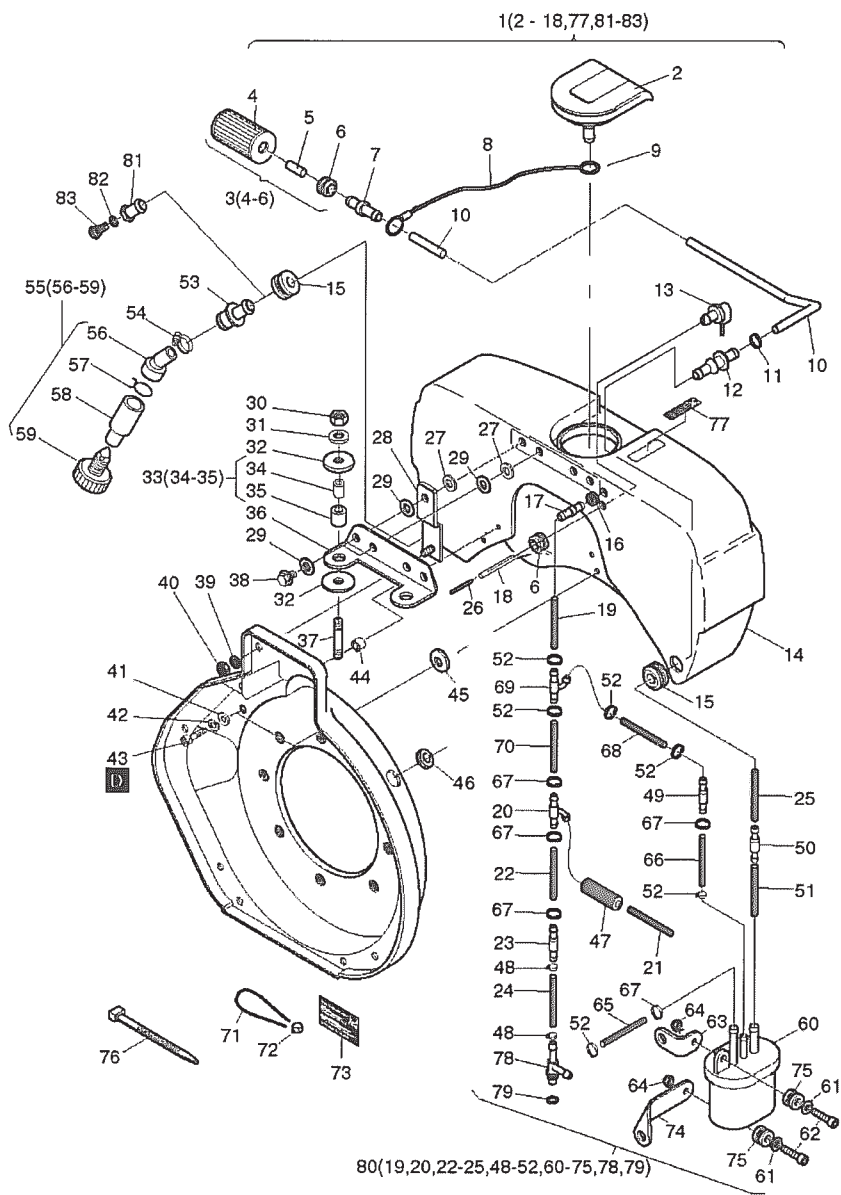
SECTION 18 BREATHING GROUP

FIG. 1800



SECTION 19 FUEL SYSTEM GROUP

FIG. 1900

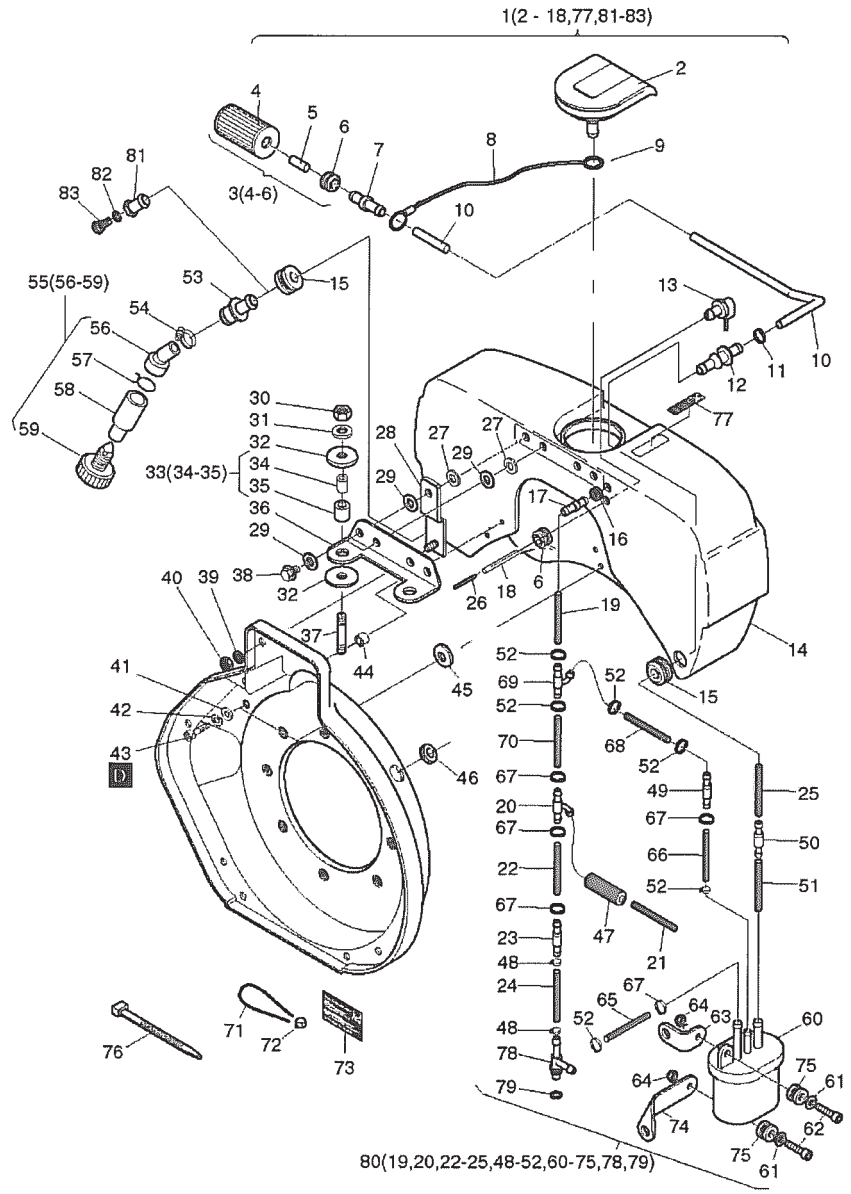


SECTION 19 FUEL SYSTEM GROUP

REF.	PART NO.	DESCRIPTION	QTY.	REMARKS	FROM-TO	FIG.
1	DH0-18532-00	FUEL TANK 5L SEP.	1			1900
2	DH0-15353-02	CAP F. FUEL TANK	1			1900
3	DH0-16352-10	FUEL FILTER	1			1900
6	DH5-04409-01	RUBBER SLEEVE	2			1900
7	DH0-51890-01	CONNECTING NIPPLE	1			1900
8	DH0-16289-00	ROPE	1			1900
9	DH5-05008-00	CIRCLIP 8	1			1900
10	DH0-51607-00	FUEL HOSE 3,5 X 340	1			1900
11	DH5-03998-01	CLAMP 11,3	1			1900
12	DH0-50840-10	CONNECTING NIPPLE	1			1900
13	DH0-15349-00	FUEL VENT. VALVE	1			1900
15	DH5-04408-00	RUBBER SLEEVE	2			1900
16	DH0-51304-00	RUBBER SLEEVE	1			1900
17	DH0-51844-00	CONNECTING NIPPLE	1			1900
18	DH0-51897-00	BREATHER HOSE	1			1900
19	DH0-52893-00		1			1900
20	DH0-51756-01	HOSE NIPPLE T	1			1900
21	DH0-52150-00	HOSE 2,5X195	1			1900
22	DH0-36642-10		1			1900
23	DH0-15346-01		1			1900
24	DH0-52148-00	FUEL HOSE4,5/ 40	1			1900
25	DH0-52840-10	FUEL PIPE 3.5X160	1			1900
26	DH0-51909-00	TUBE	1			1900
27	DH5-01200-00	DISC A 6,4	4			1900
28	DH0-13313-00	SUPPORT	2			1900
29	DH0-51100-10	DISC 7,1X17,9X2	10			1900
30	DH4-00284-00	HEX.NUT M 8	2			1900
31	DH5-01481-00	FLAT WASHER 8,4	2			1900
32	DH0-51098-10	DISC 8,20X22X2	4			1900
33	DH0-16558-00	INSULATING TUBE	2			1900
36	DH0-51701-10	SUPPORT	1			1900
37	DH5-02319-00	STUD M 8X 25	2			1900
38	DH0-15570-00	HEXSCREW M 6X 16	4			1900
39	DH5-01709-00		2			1900
40	DH5-01440-00	HEXSCREW M 8X 40	2			1900
41	DH5-01200-00	DISC A 6,4	4			1900
42	DH5-01709-00	SPRING WASHER 6	4			1900
43	DH5-01707-00	ALL.SCR.M 6 X 16	4			1900
44	DH0-41188-00	DISC 6,5X13X4,8	2			1900
45	DH0-40420-00	WASHER 6,5X22,5X1	2			1900
46	DH5-04533-00	RUBBER SLEEVE	1			1900
47	DH0-52130-10		1			1900
48	DH5-04411-00	HOSE CLIP	2			1900
49	DH0-08055-02	VEVT VALVE	1			1900
50	DH0-53012-00		1			1900
51	DH0-36637-10	FUEL HOSE 5.0X50	1			1900

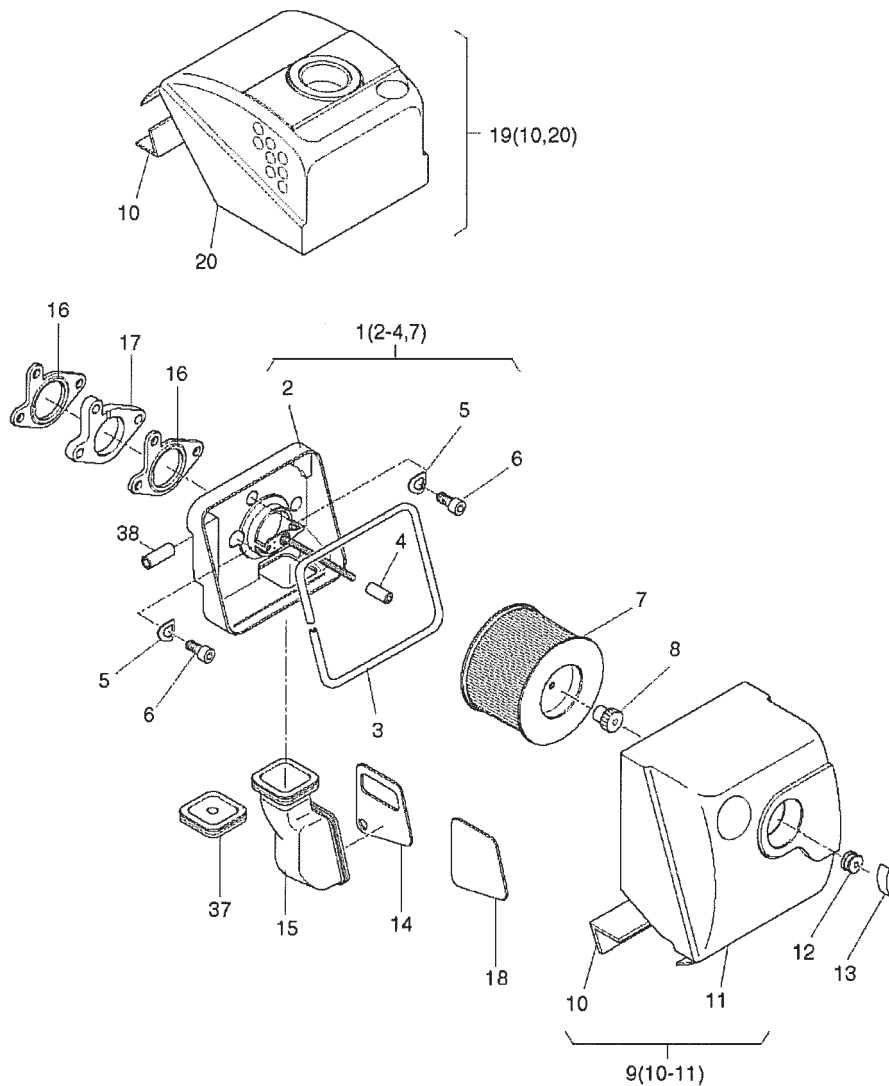
SECTION 19 FUEL SYSTEM GROUP

FIG. 1900



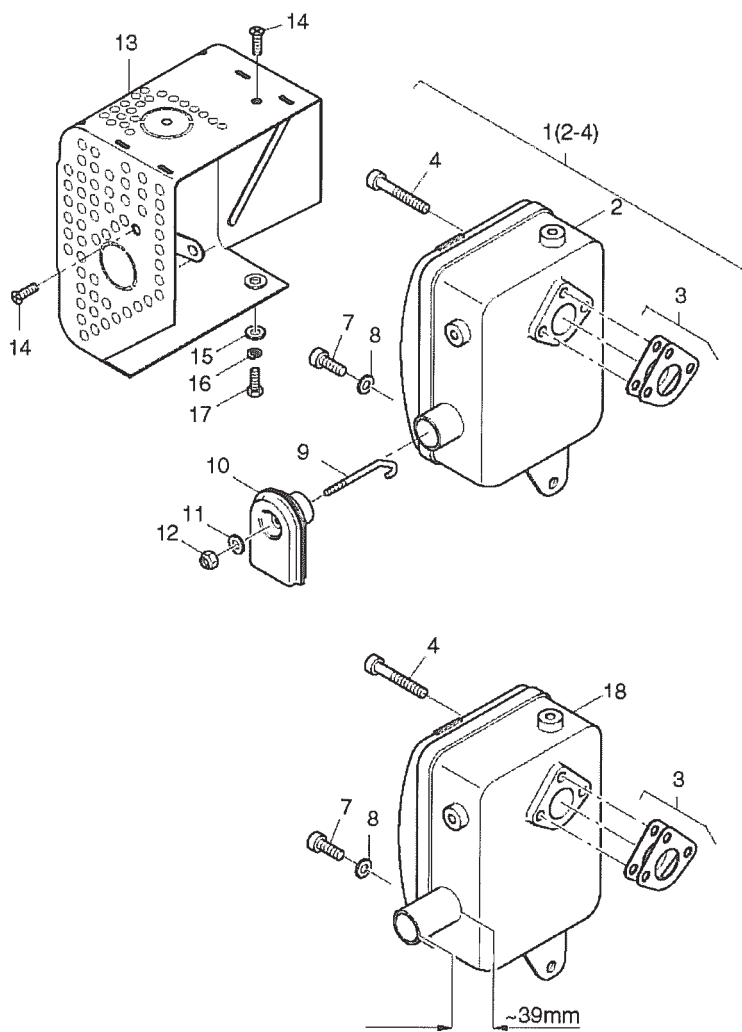
SECTION 21 AIR FILTER GROUP

FIG. 2100



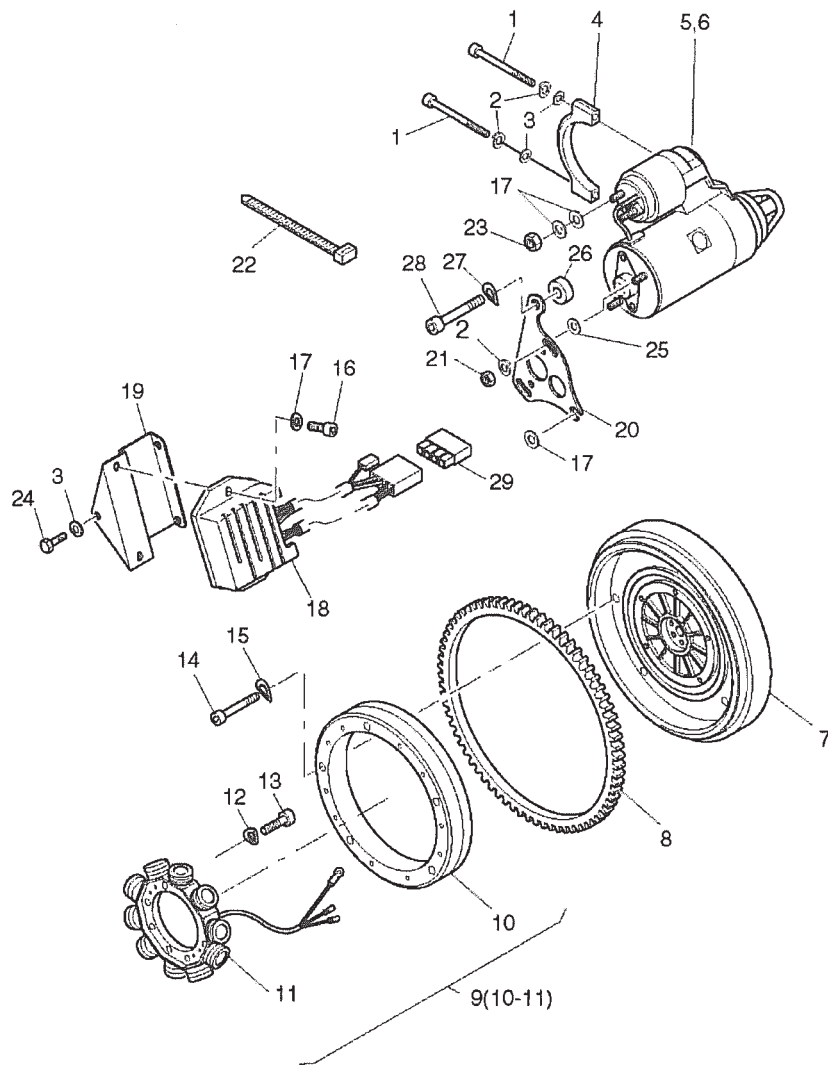
SECTION 22 EXHAUST GROUP

FIG. 2200



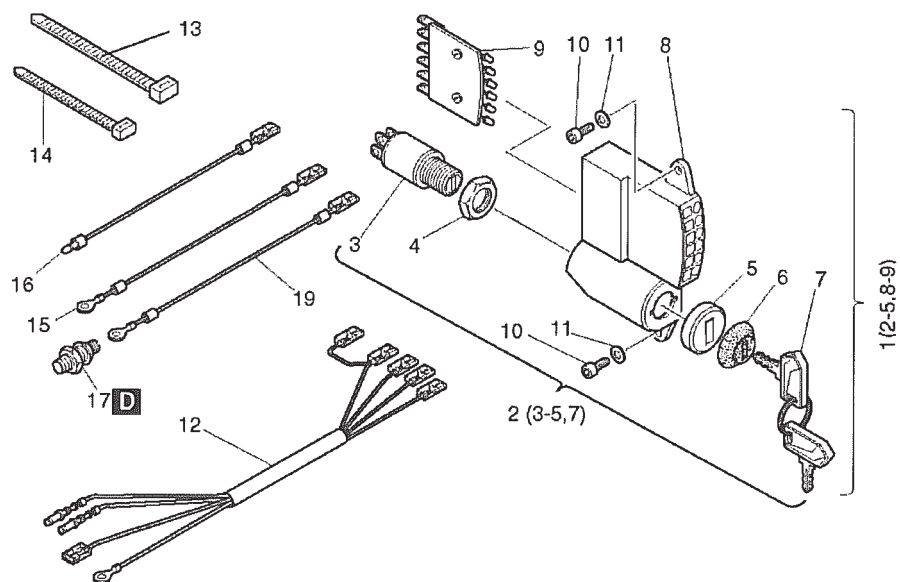
SECTION 23 STARTER, ALTERNATOR GROUP

FIG. 2300



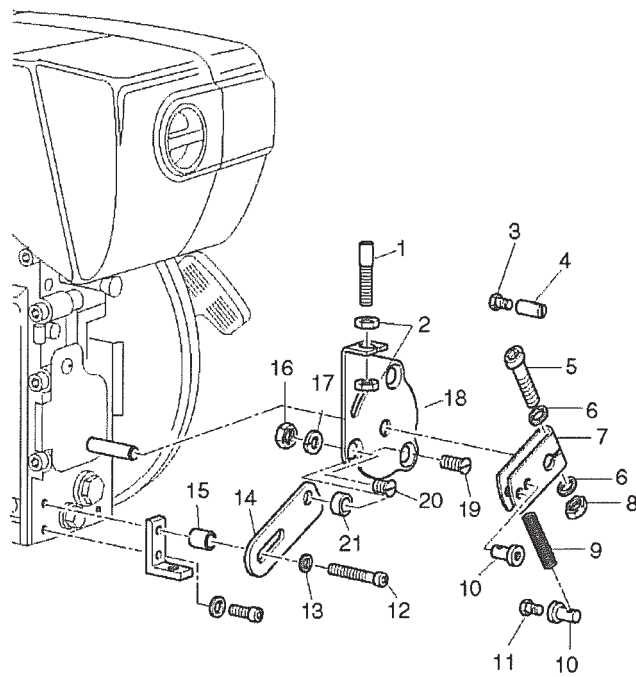
SECTION 24 ELECTRIC GROUP

FIG. 2400



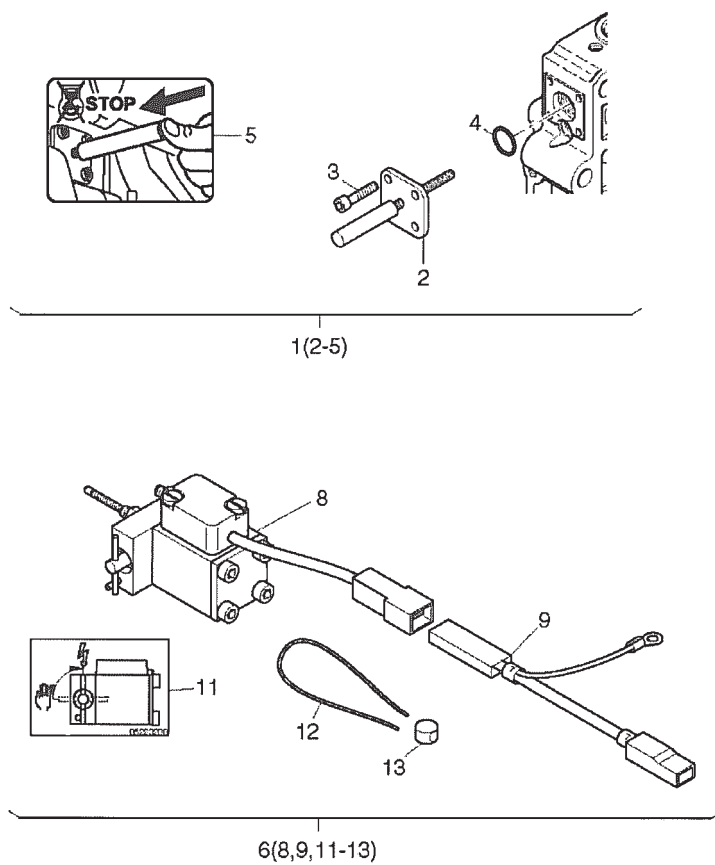
SECTION 25 SPEED CONTROL GROUP

FIG. 2500



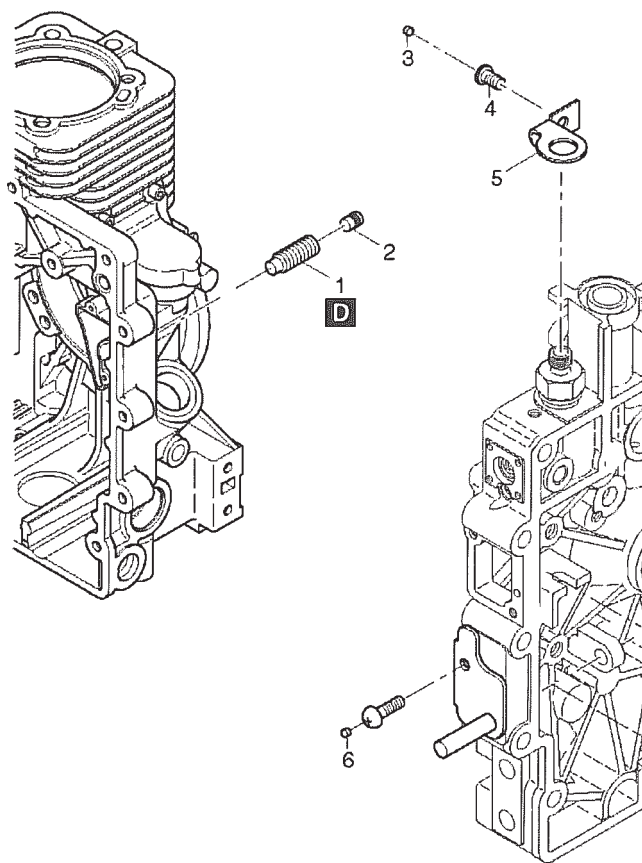
SECTION 26 STOP DEVICE GROUP

FIG. 2600



SECTION 27 SPEC. EQUIPMENT GROUP

FIG. 2700



PRINTED IN THE USA